

US00D492000S1

(12) **United States Design Patent**
Festa et al.

(10) **Patent No.: US D492,000 S**
(45) **Date of Patent: ** Jun. 22, 2004**

(54) **SEPTIC TANK**

D371,423 S * 7/1996 Salagnac D23/203
D445,476 S * 7/2001 Ball et al. D23/202

(76) Inventors: **Edward Festa**, 12455 Summerwood Dr., Ft. Myers, FL (US) 33908; **Jeffrey Festa**, 15900 Bayside Pointe West, #107, Ft. Myers, FL (US) 33908; **Len Moore**, 4616 Newborne Way, Valrico, FL (US) 33594

* cited by examiner

Primary Examiner—Robin V. Taylor
(74) *Attorney, Agent, or Firm*—Hahn Loeser + Parks LLP; Laura G. Barrow

(**) Term: **14 Years**

(57) **CLAIM**

The ornamental design for a septic tank, as shown and described.

(21) Appl. No.: **29/180,941**

DESCRIPTION

(22) Filed: **May 2, 2003**

(51) **LOC (7) Cl.** **23-01**

(52) **U.S. Cl.** **D23/203**

(58) **Field of Search** D23/202, 203-5;
220/565, 567.1; 210/532.2

FIG. 1 is a perspective view of the septic tank (with lids secured thereon) showing our new design.

FIG. 2 is an exploded side elevation view of the septic tank and two lids,

FIG. 3 is a top elevation view of the septic tank with lids secured thereon;

FIGS. 4 and 5 are exploded side elevation views thereof.

FIG. 6 is a bottom plan view thereof; and,

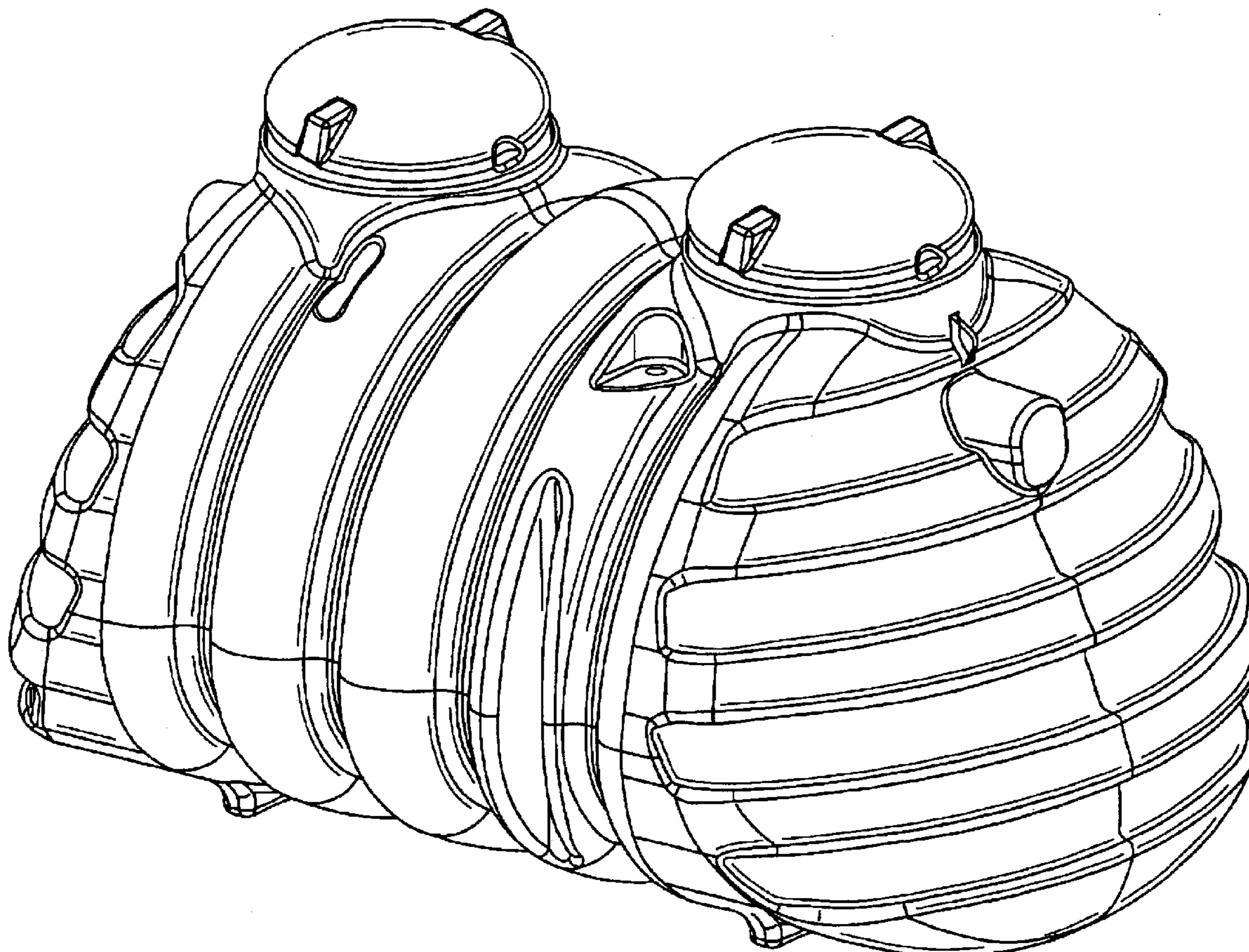
FIG. 7 is a top elevation view of the septic tank with the lids removed.

(56) **References Cited**

U.S. PATENT DOCUMENTS

D226,192 S * 1/1973 Boyd D23/203
D239,506 S * 4/1976 Myers D23/202
5,361,930 A * 11/1994 Perry 220/565
D357,530 S * 4/1995 Grenier et al. D23/203

1 Claim, 7 Drawing Sheets



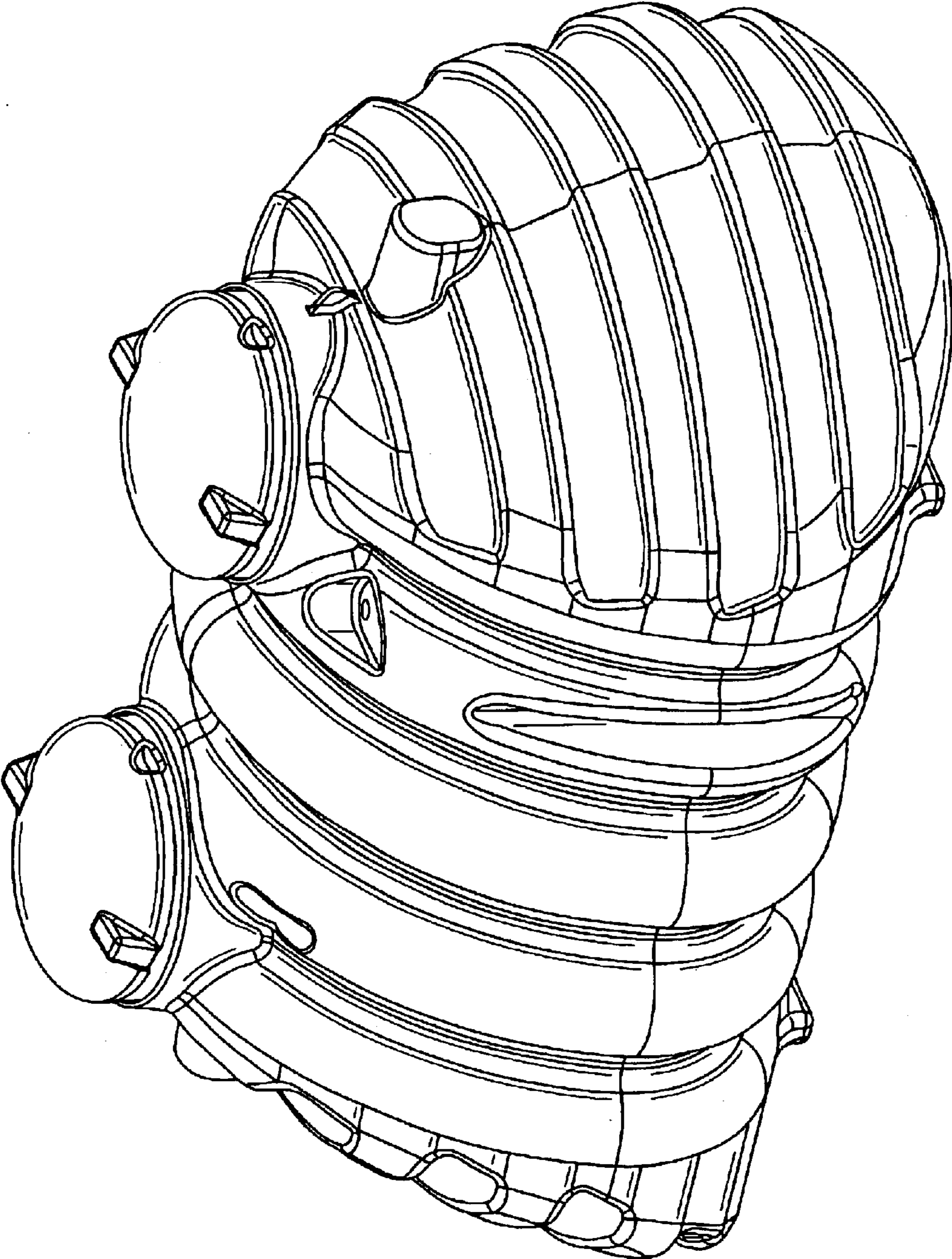


FIG. 1

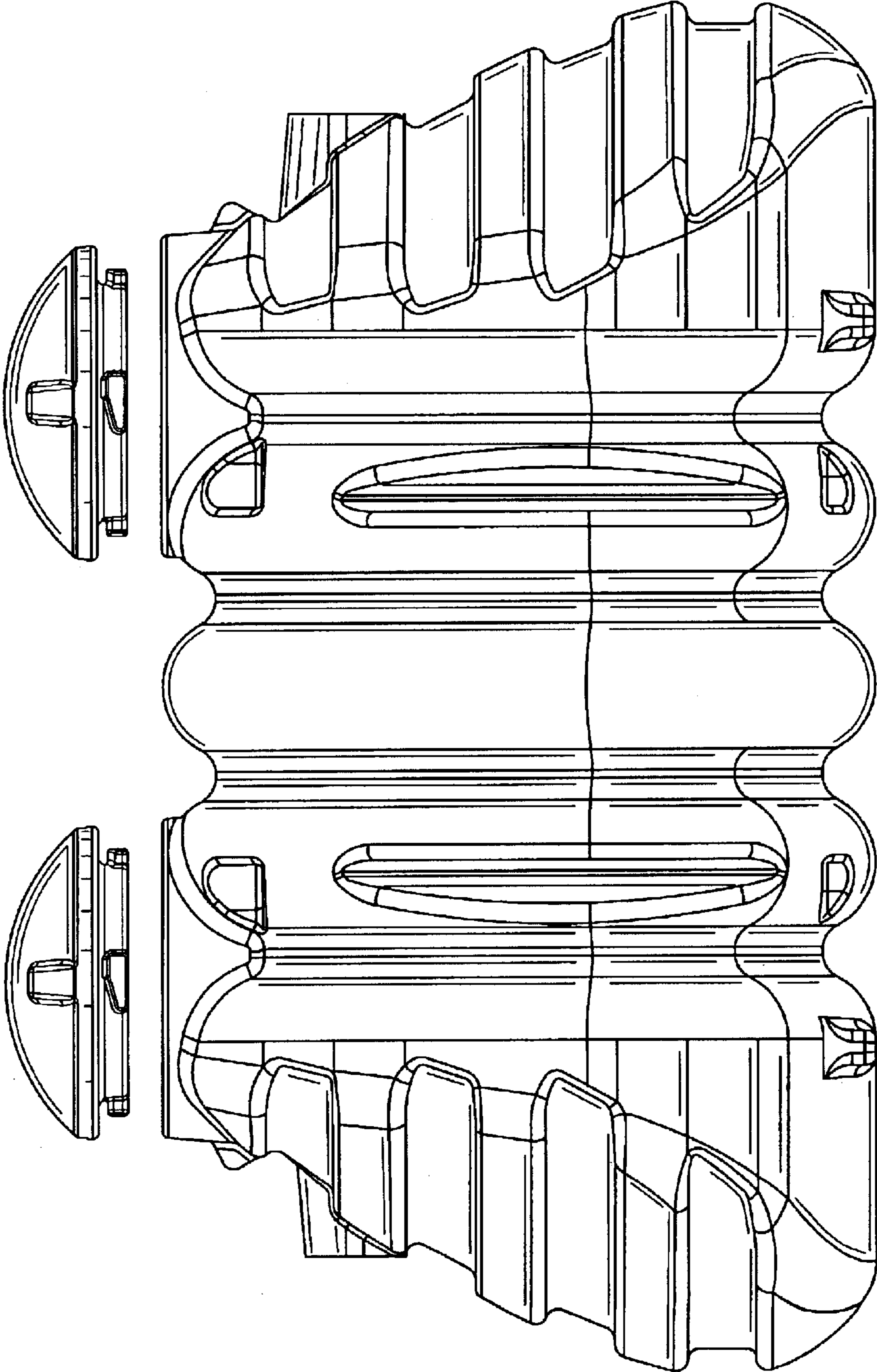


FIG. 2

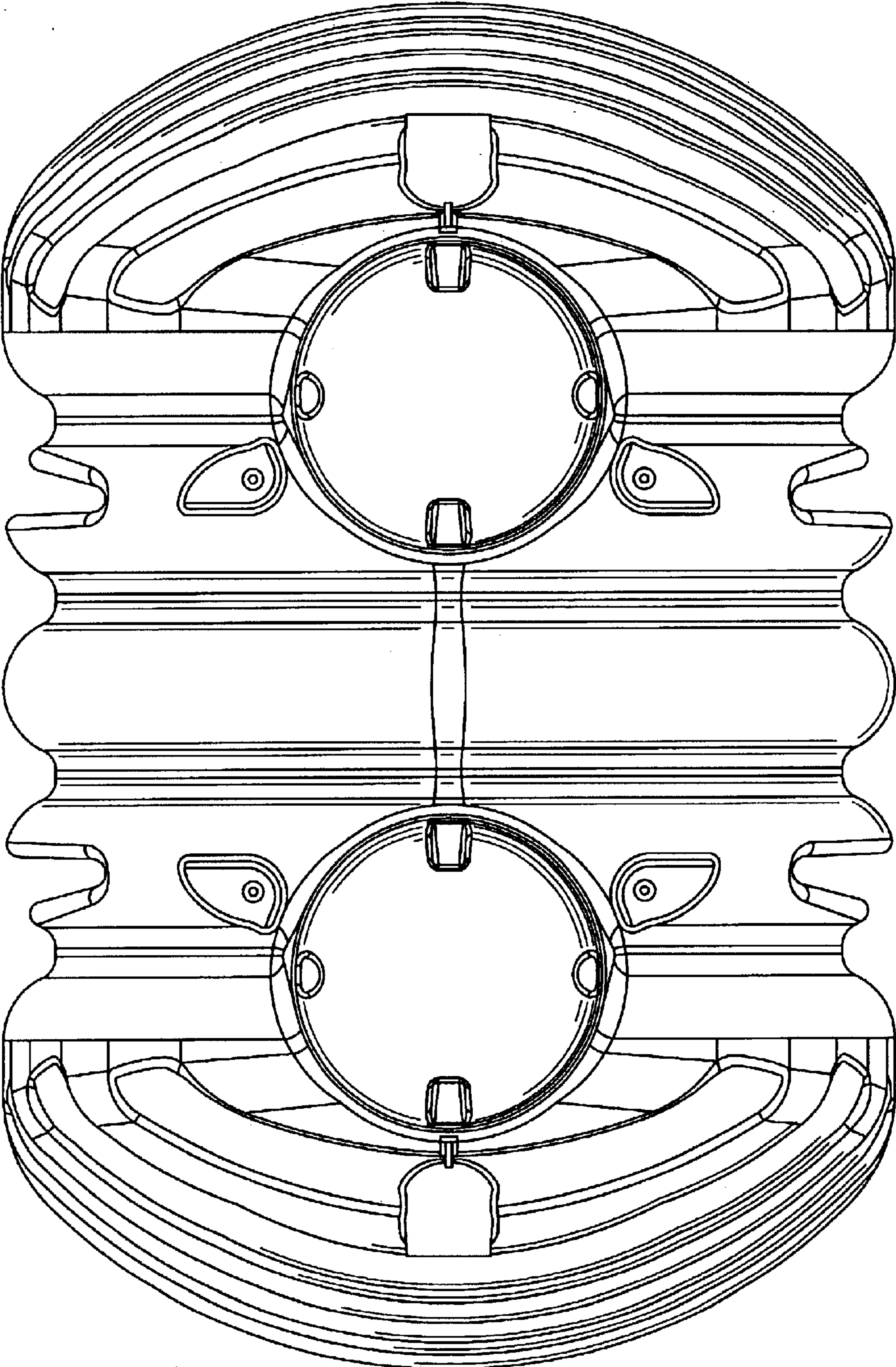


FIG. 3

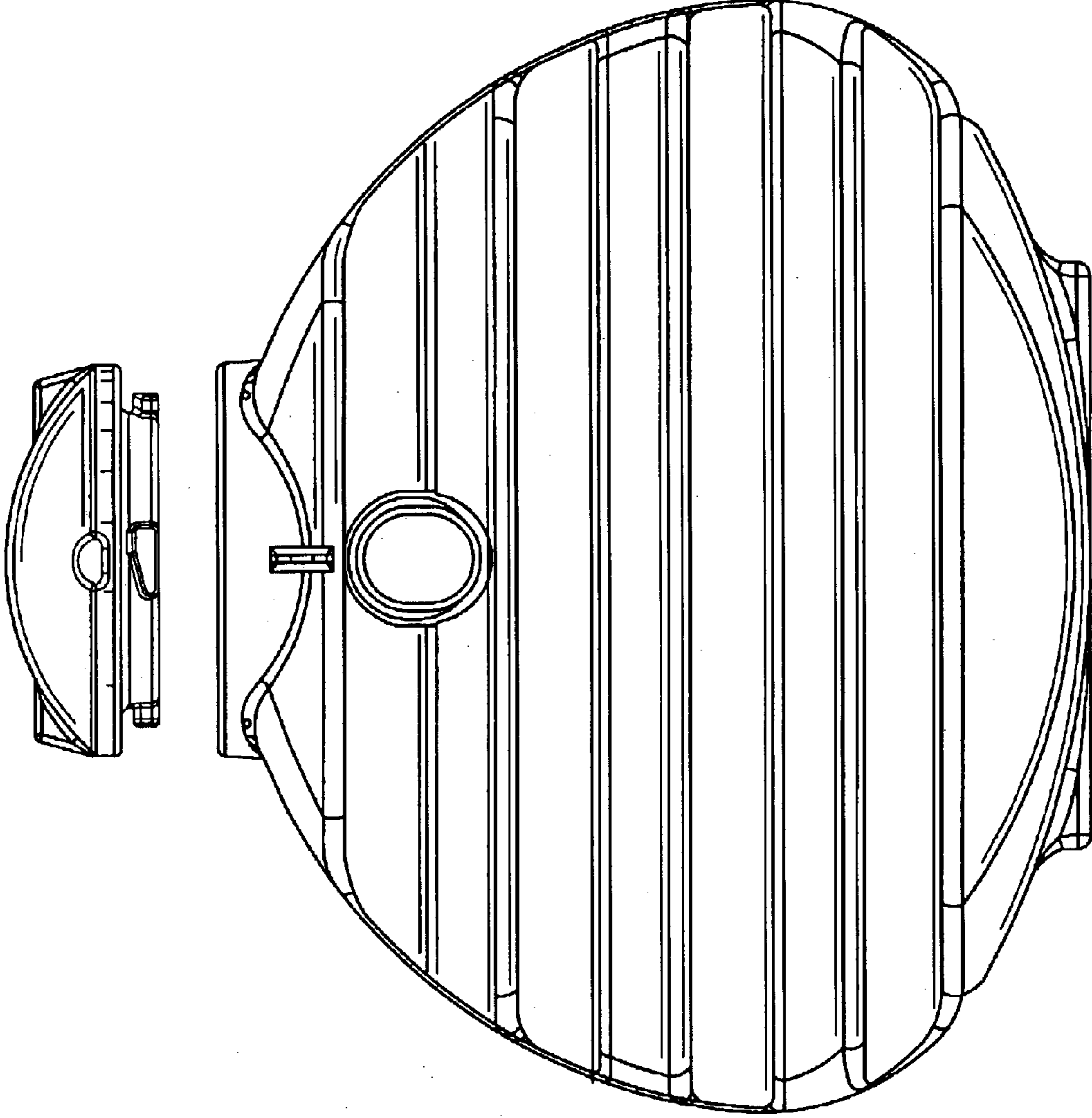


FIG. 4

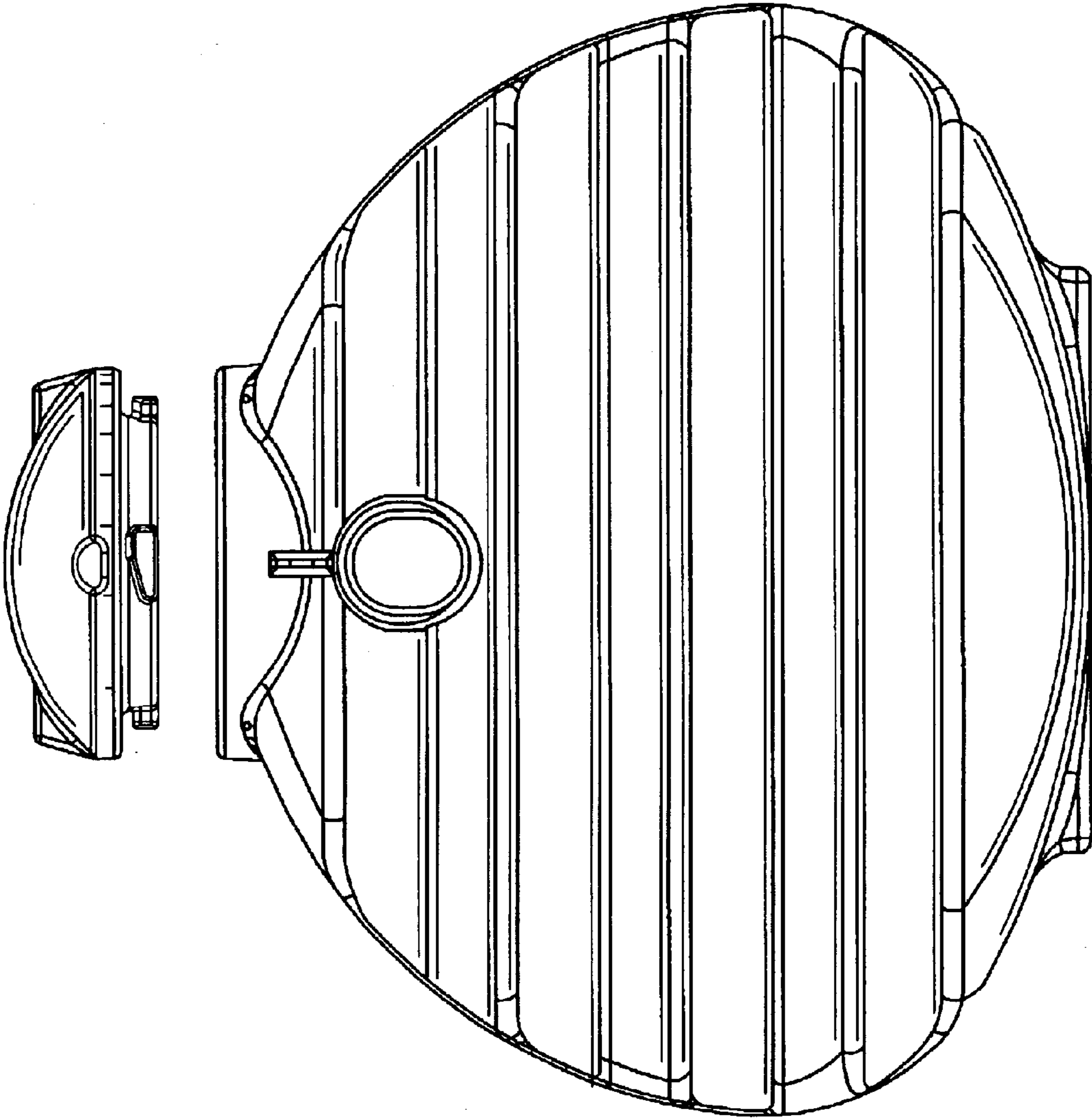


FIG. 5

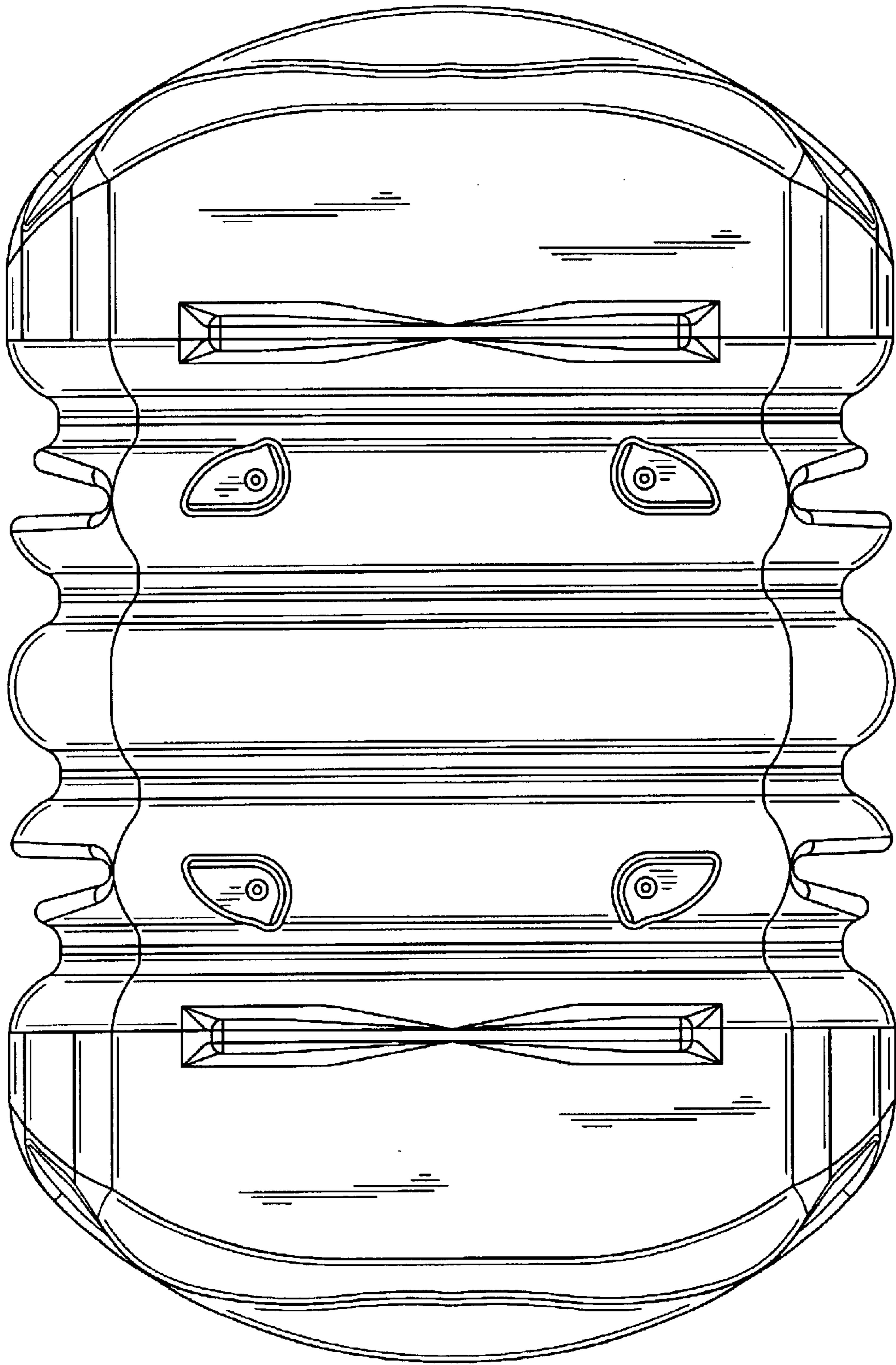


FIG. 6

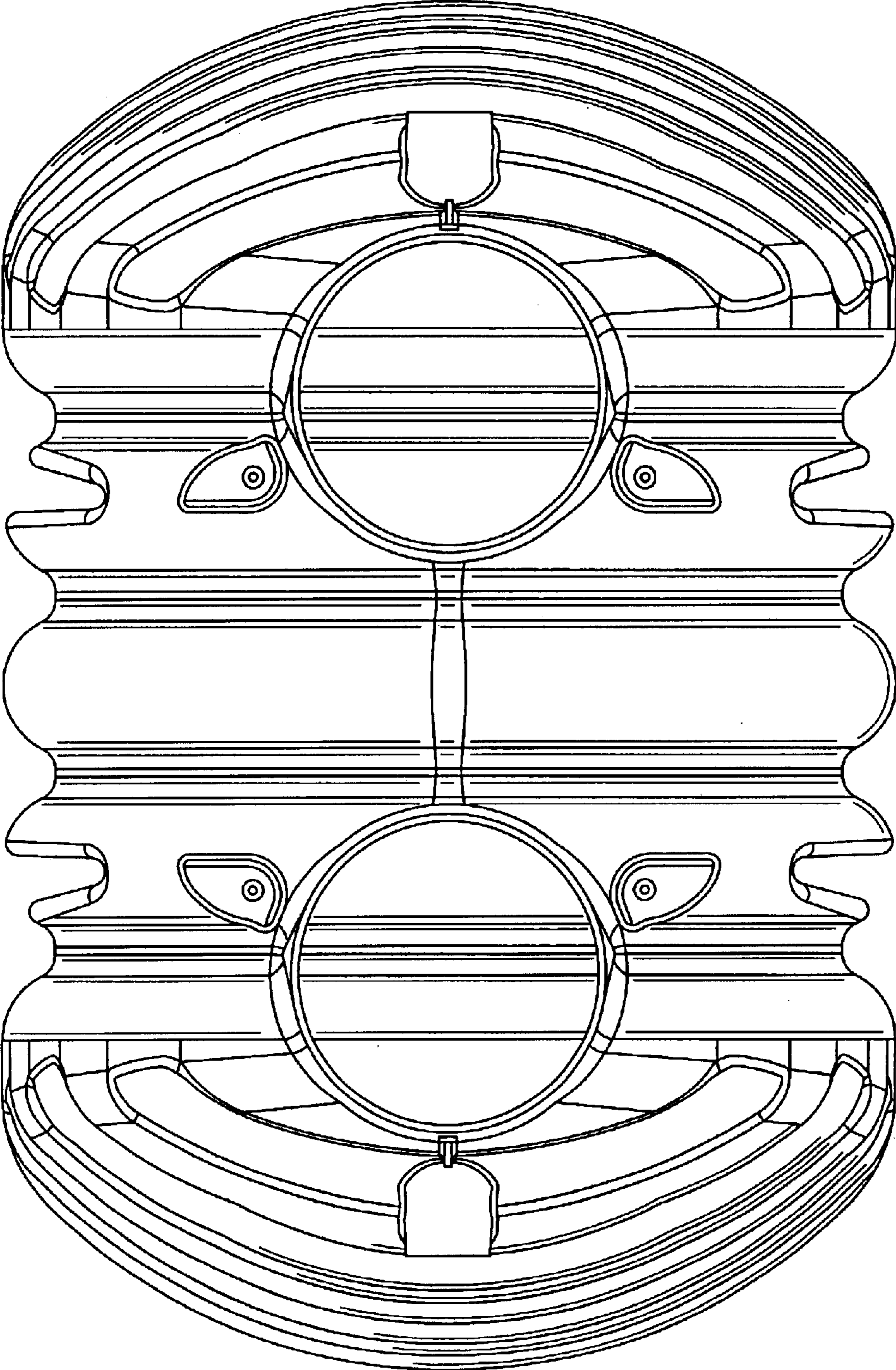


FIG. 7