

US00D491998S1

(12) **United States Design Patent**
Burke

(10) **Patent No.:** **US D491,998 S**
(45) **Date of Patent:** **** Jun. 22, 2004**

(54) **SPINCAST FISHING REEL BODY**
(75) **Inventor:** **Marde Burke, Owasso, OK (US)**

D450,105 S * 11/2001 Asano et al. D22/140
D459,430 S * 6/2002 Burke D22/140
D468,795 S * 1/2003 Kondo et al. D22/140

(73) **Assignee:** **W.C. Bradley/Zebco Holdings, Inc.,
Tulsa, OK (US)**

OTHER PUBLICATIONS

Zebco Rods and Reels Catalog 2000, ©1999.

(**) **Term:** **14 Years**

* cited by examiner

(21) **Appl. No.:** **29/159,451**

Primary Examiner—Catherine R. Oliver
(74) *Attorney, Agent, or Firm*—Fellers, Snider,
Blankenship, Bailey & Tippens, P.C.

(22) **Filed:** **Apr. 22, 2002**

Related U.S. Application Data

(57) **CLAIM**

(63) Continuation-in-part of application No. 29/144,631, filed on
Jul. 7, 2001.

The ornamental design for a spincast fishing reel body, as
shown.

(51) **LOC (7) Cl.** **22-05**

DESCRIPTION

(52) **U.S. Cl.** **D22/140**

(58) **Field of Search** D22/140, 141,
D22/137, 138, 139; 242/234–240, 310,
311, 312, 314, 319, 323; 43/20, 22

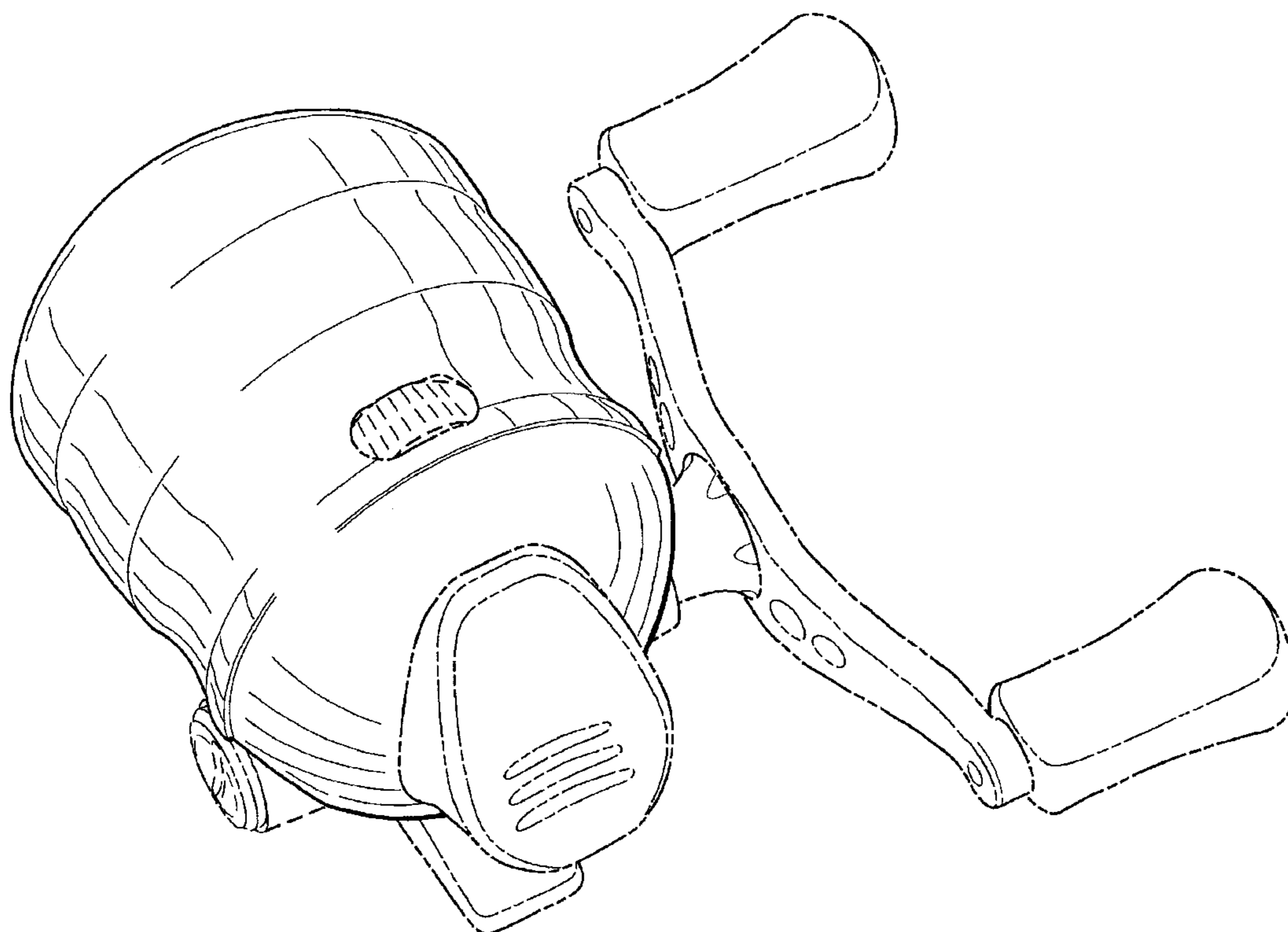
FIG. 1 is a top, perspective view of a spincast fishing reel
body showing my new design;
FIG. 2 is a left side elevational view thereof;
FIG. 3 is a rear elevational view thereof;
FIG. 4 is a front elevational view thereof;
FIG. 5 is a right side elevational view thereof;
FIG. 6 is a top plan view, at a slightly reduced scale thereof;
and,
FIG. 7 is a bottom plan view, at same scale as FIG. 6 thereof.
The broken line showing of environment in the drawings is
for illustrative purposes only and forms no part of the
claimed design.

(56) **References Cited**

U.S. PATENT DOCUMENTS

D290,987 S 7/1987 Robbins D22/141
D314,604 S 2/1991 Jackson et al. D22/141
D404,109 S 1/1999 Zwayer et al. D22/141
D414,840 S 10/1999 Kirby D22/141
6,000,652 A * 12/1999 Zwayer et al. 242/238
6,138,935 A 10/2000 Zwayer et al. 242/311
D443,333 S 6/2001 Gibson D22/140

1 Claim, 7 Drawing Sheets



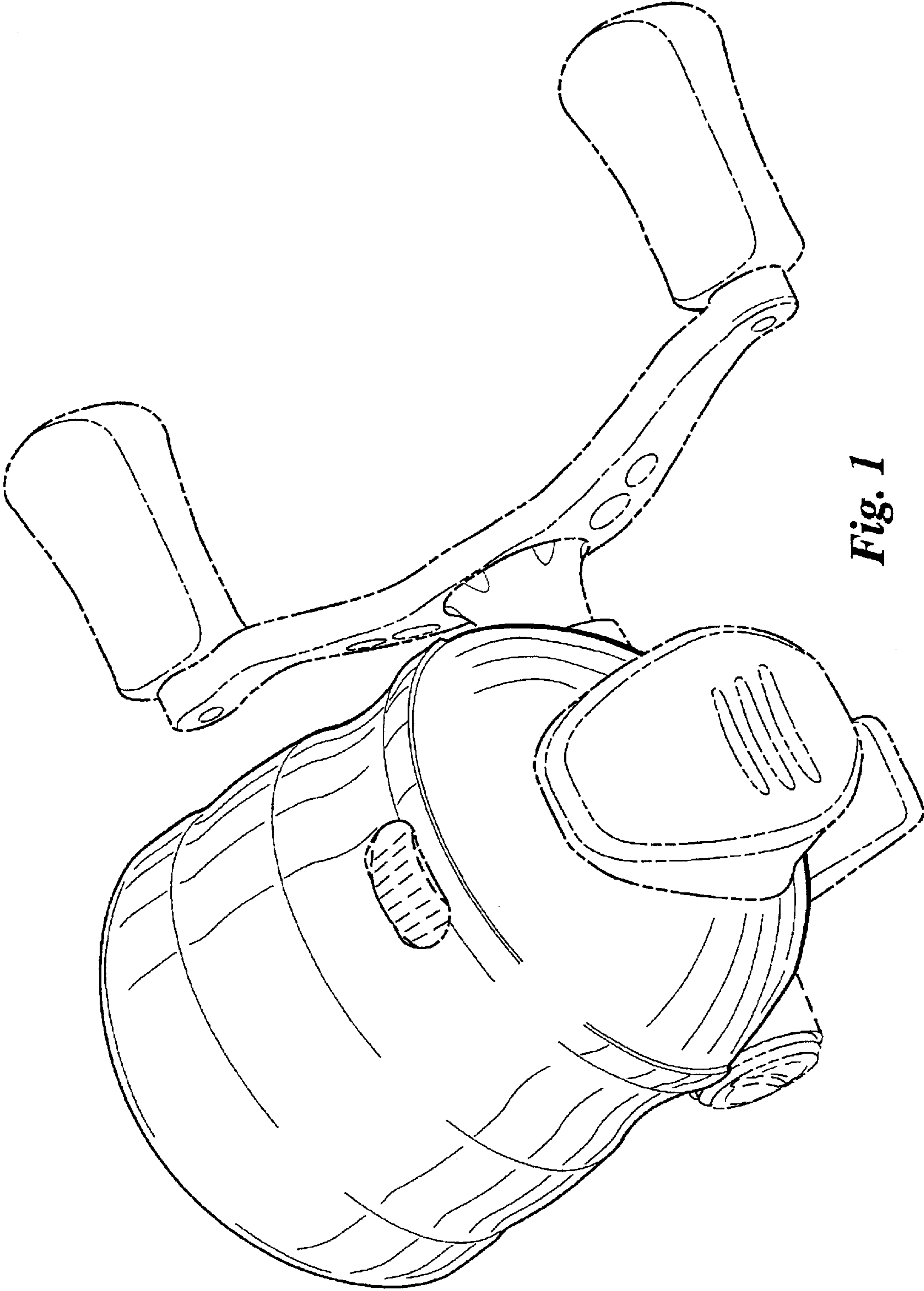
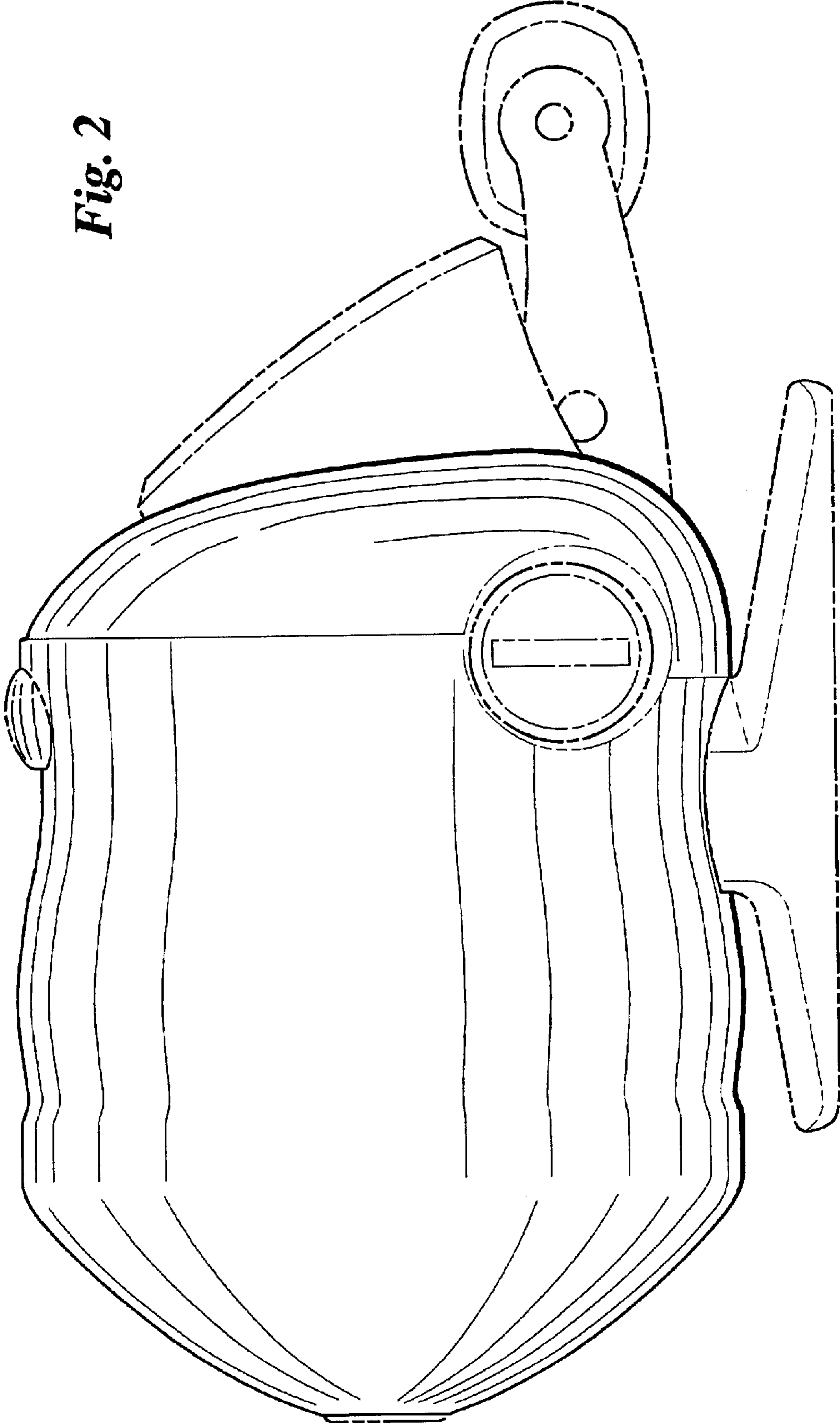


Fig. 1

Fig. 2



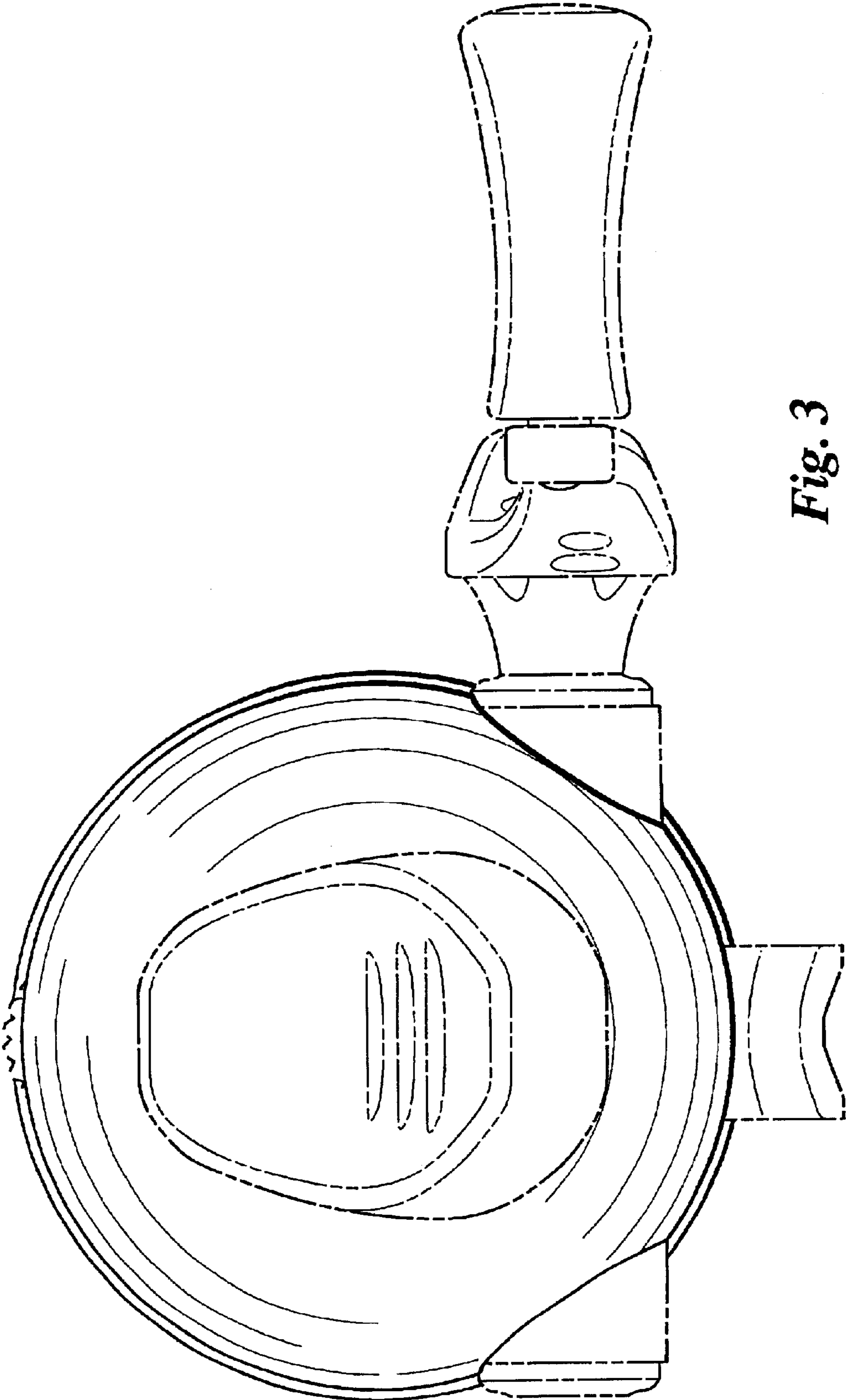


Fig. 3

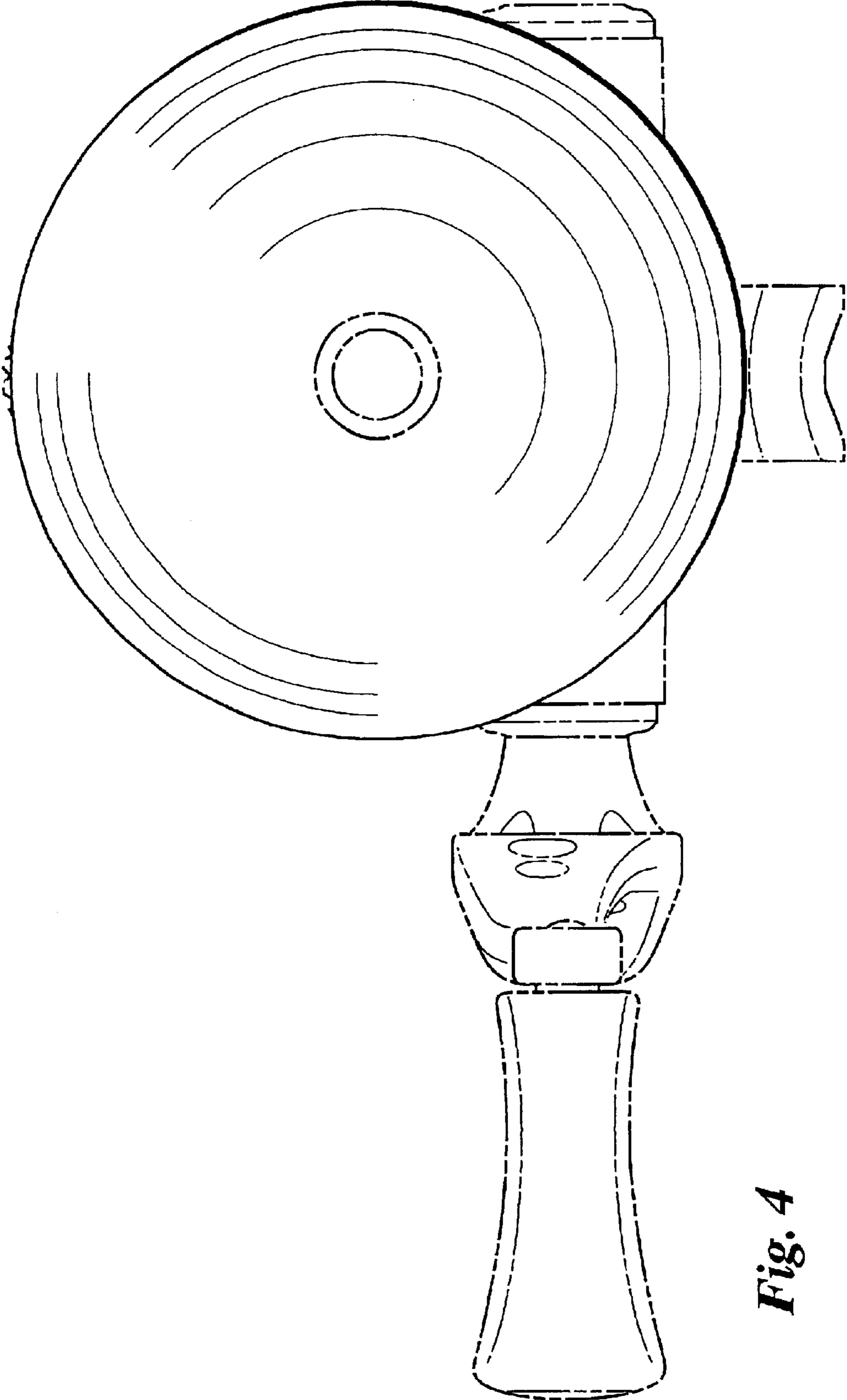


Fig. 4

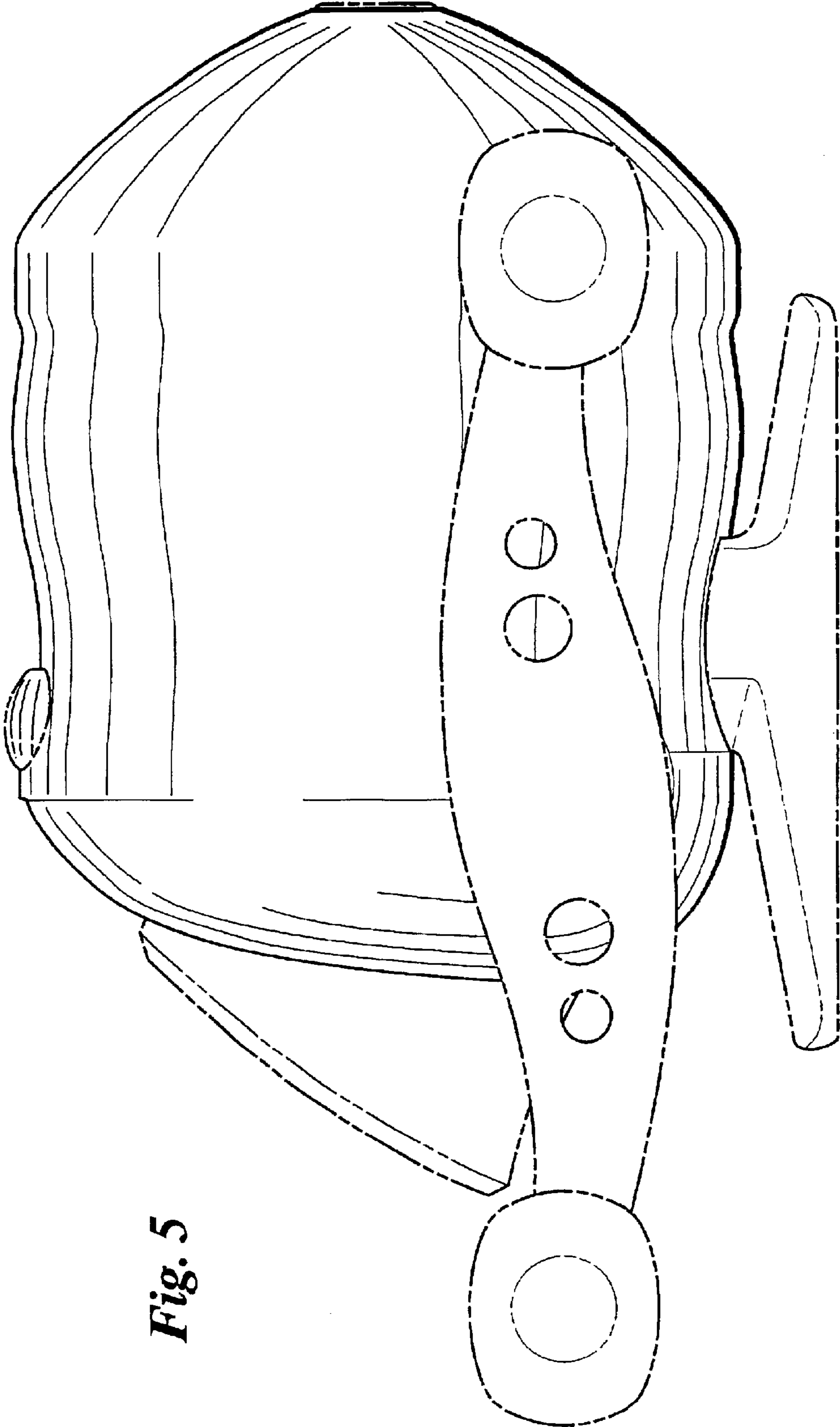


Fig. 5

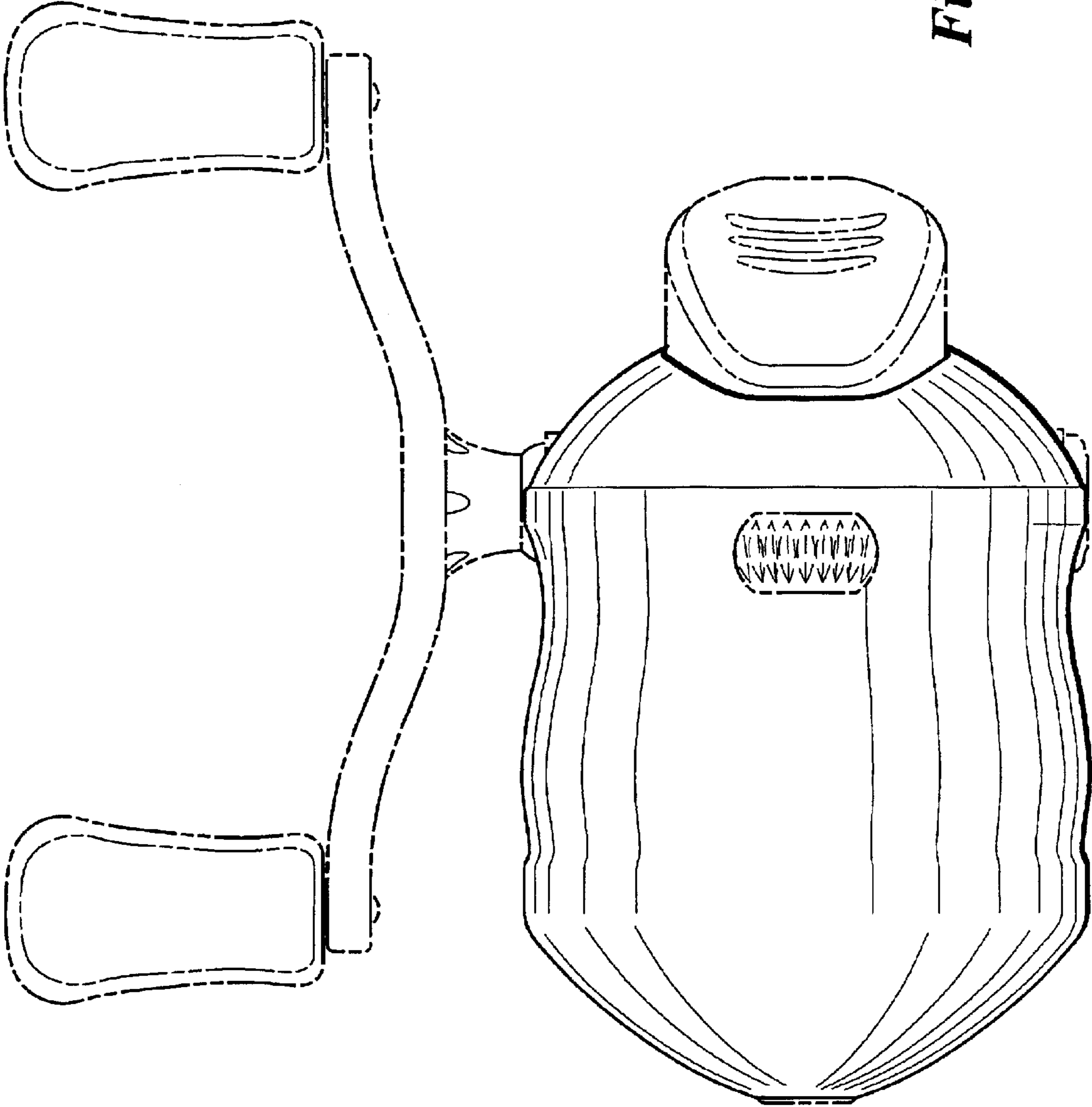


Fig. 6

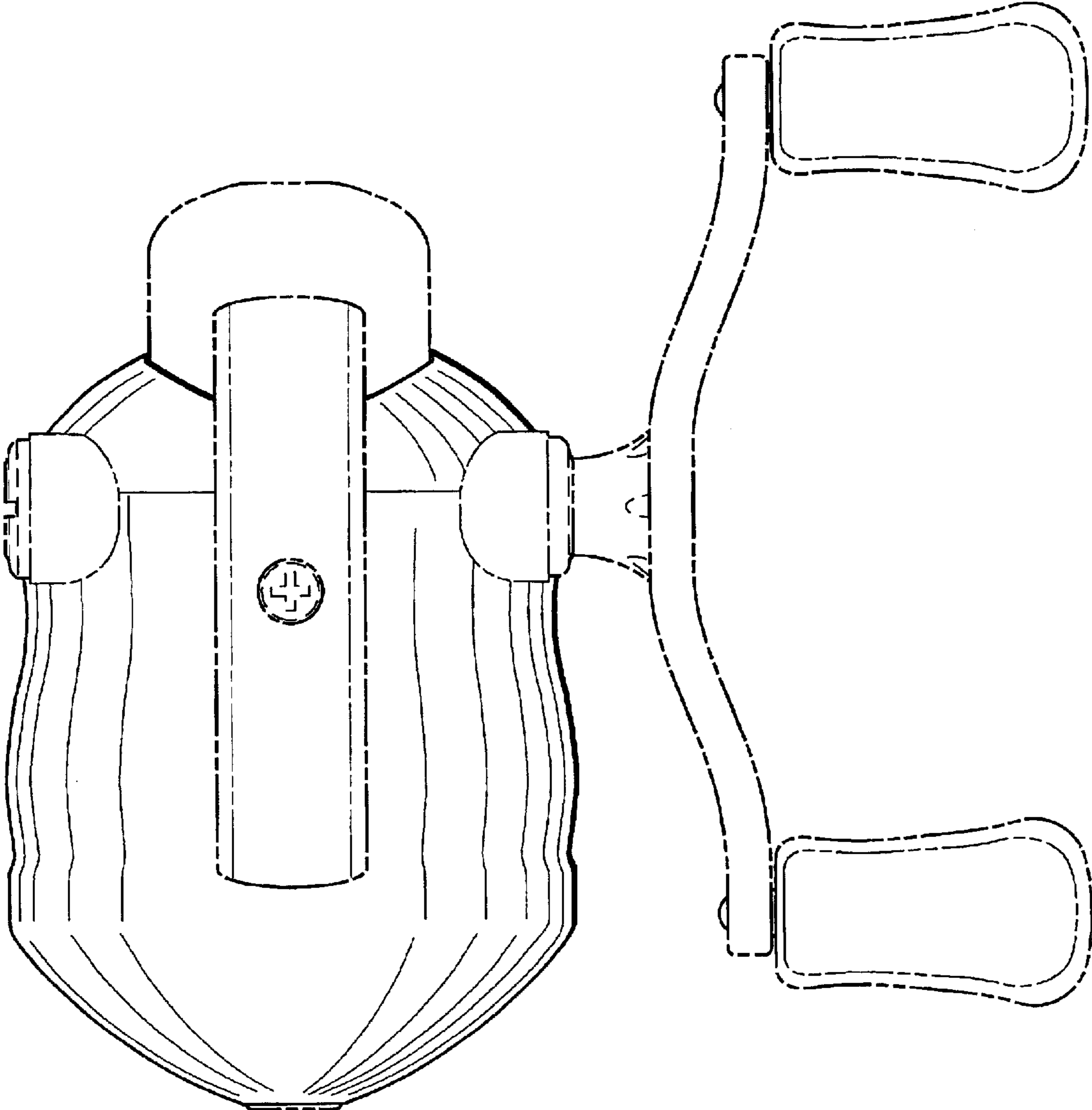


Fig. 7