

US00D491997S1

(12) **United States Design Patent**
Weiser et al.

(10) **Patent No.: US D491,997 S**
(45) **Date of Patent: ** Jun. 22, 2004**

(54) **GARDEN PEST TRAP**
(75) Inventors: **Isaac Weiser**, Tarzana, CA (US);
Margaret Weiser, Tarzana, CA (US)
(73) Assignee: **Exhart Environmental Systems, Inc.**,
Chatsworth, CA (US)
(**) Term: **14 Years**

D328,486 S 8/1992 Sase D22/119
D329,681 S 9/1992 Demarest et al. D22/122
5,175,958 A 1/1993 Wedemeyer 43/121
5,501,034 A * 3/1996 Hazan 43/132.1
D374,904 S 10/1996 Miller D22/119
5,622,001 A 4/1997 Kaxmierzak 43/121
6,145,242 A 11/2000 Simpson 43/131
6,216,383 B1 4/2001 Klabunde et al. 43/121
D469,146 S * 1/2003 Schroedl D22/119

(21) Appl. No.: **29/169,323**
(22) Filed: **Oct. 15, 2002**

FOREIGN PATENT DOCUMENTS

EM 1 002 462 A2 5/2000
WO WO 00/60938 10/2000

(51) **LOC (7) Cl.** **22-06**
(52) **U.S. Cl.** **D22/119**
(58) **Field of Search** D22/119-125;
43/88, 90, 91, 92, 85, 77-79, 124, 131,
132.1

* cited by examiner

Primary Examiner—Catherine R. Oliver
(74) *Attorney, Agent, or Firm*—Cislo & Thomas LLP

(56) **References Cited**

(57) **CLAIM**

The ornamental design for a garden pest trap, as shown and described herein.

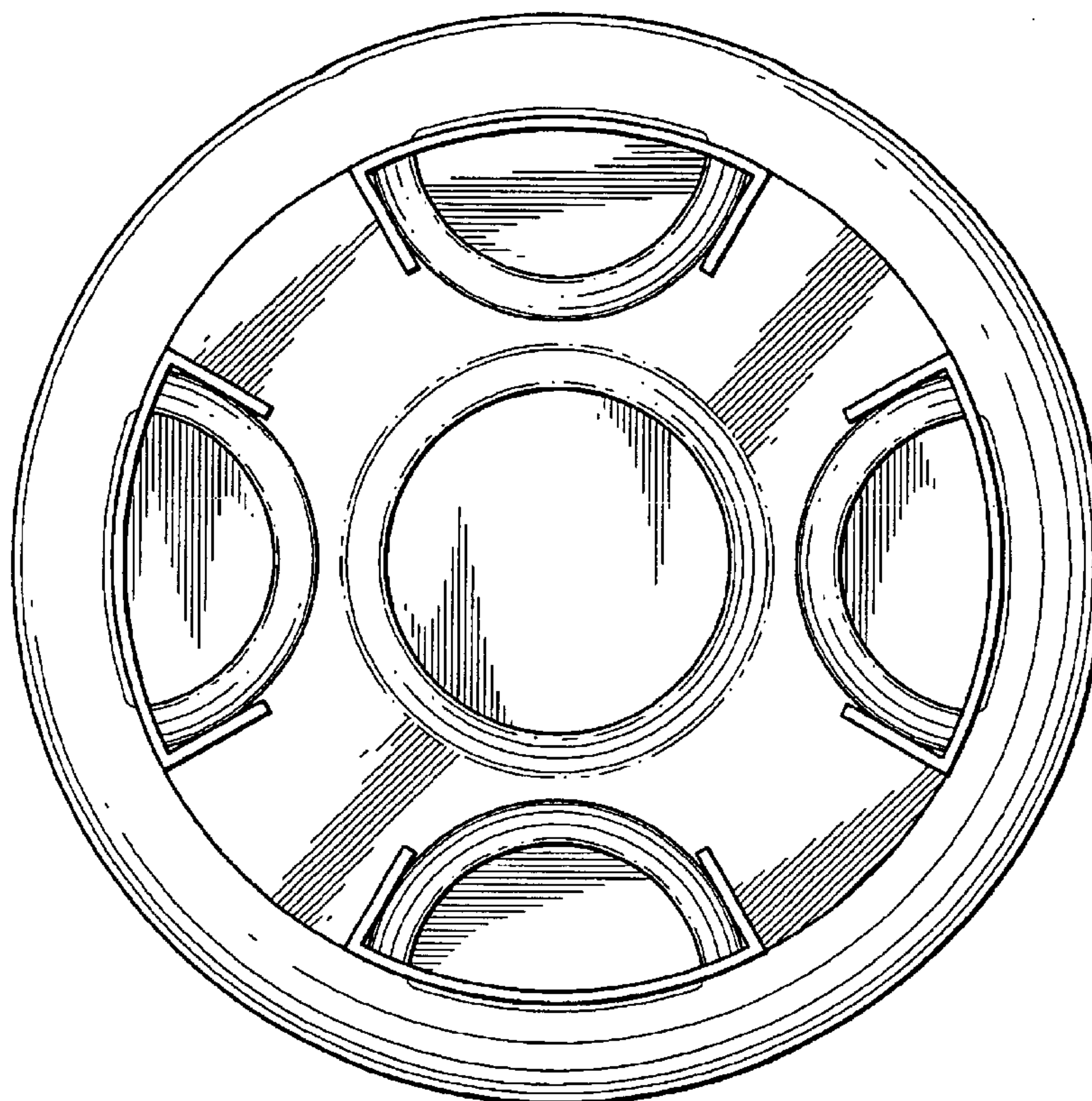
U.S. PATENT DOCUMENTS

DESCRIPTION

D128,787 S 8/1941 Nelson D22/119
D227,563 S 7/1973 Torchia D22/119
3,772,820 A 11/1973 Bond 43/131
3,978,607 A 9/1976 Piere 43/131
4,251,946 A 2/1981 Lindley 43/131
4,328,637 A 5/1982 Eichmuller et al. 43/121
4,747,230 A 5/1988 Zalesky 43/121
4,761,912 A 8/1988 Dyer et al. 43/121
4,894,947 A * 1/1990 Brandli 43/131
D326,702 S 6/1992 Demarest D22/119

FIG. 1. Is a perspective view of our garden pest trap with the dotted line shown being for illustrative purposes only;
FIG. 2. Is a top view thereof;
FIG. 3. Is a right side elevational view with the left side elevational view being a substantial mirror image thereof; and,
FIG. 4. Is a bottom view thereof.

1 Claim, 3 Drawing Sheets



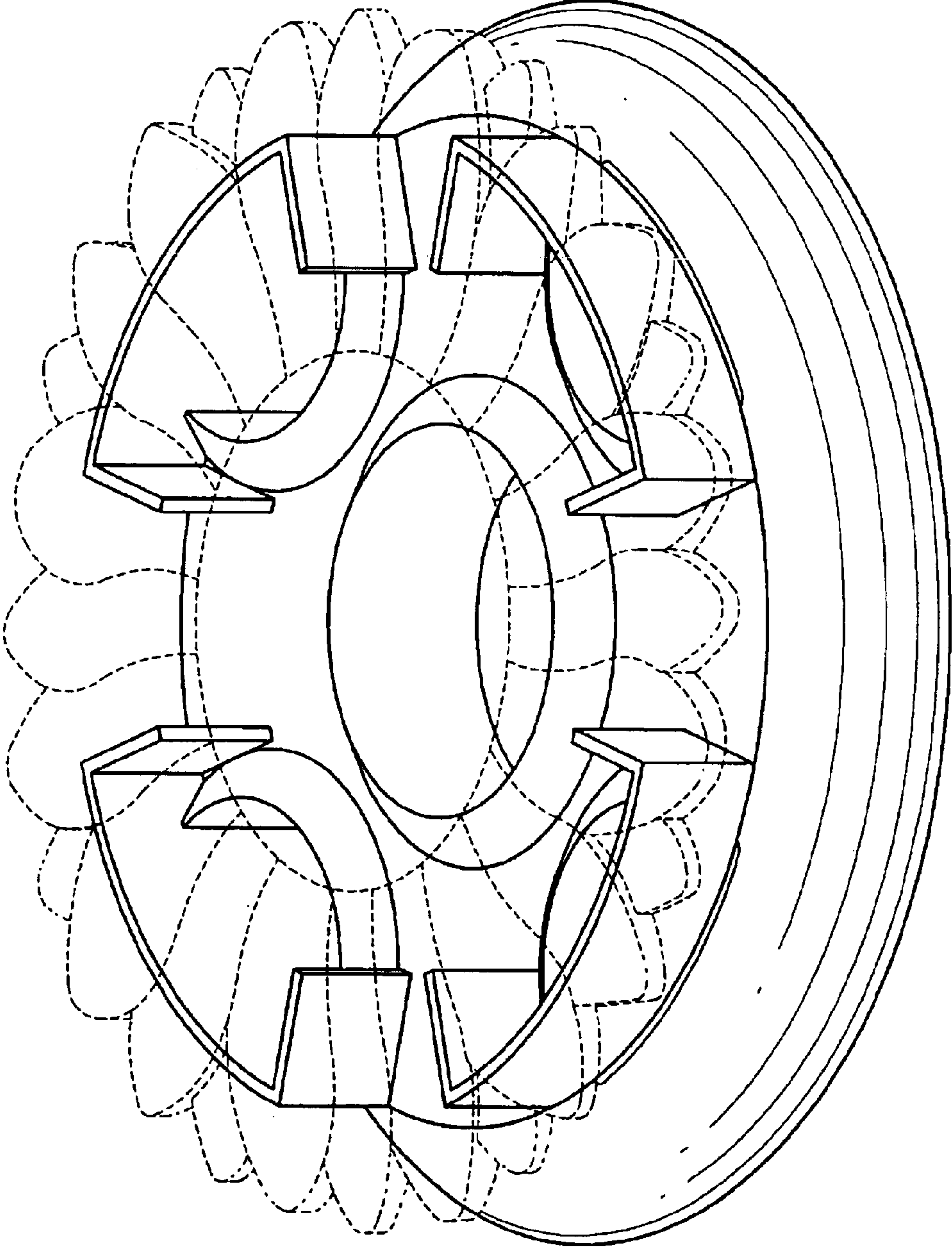


FIG. 1

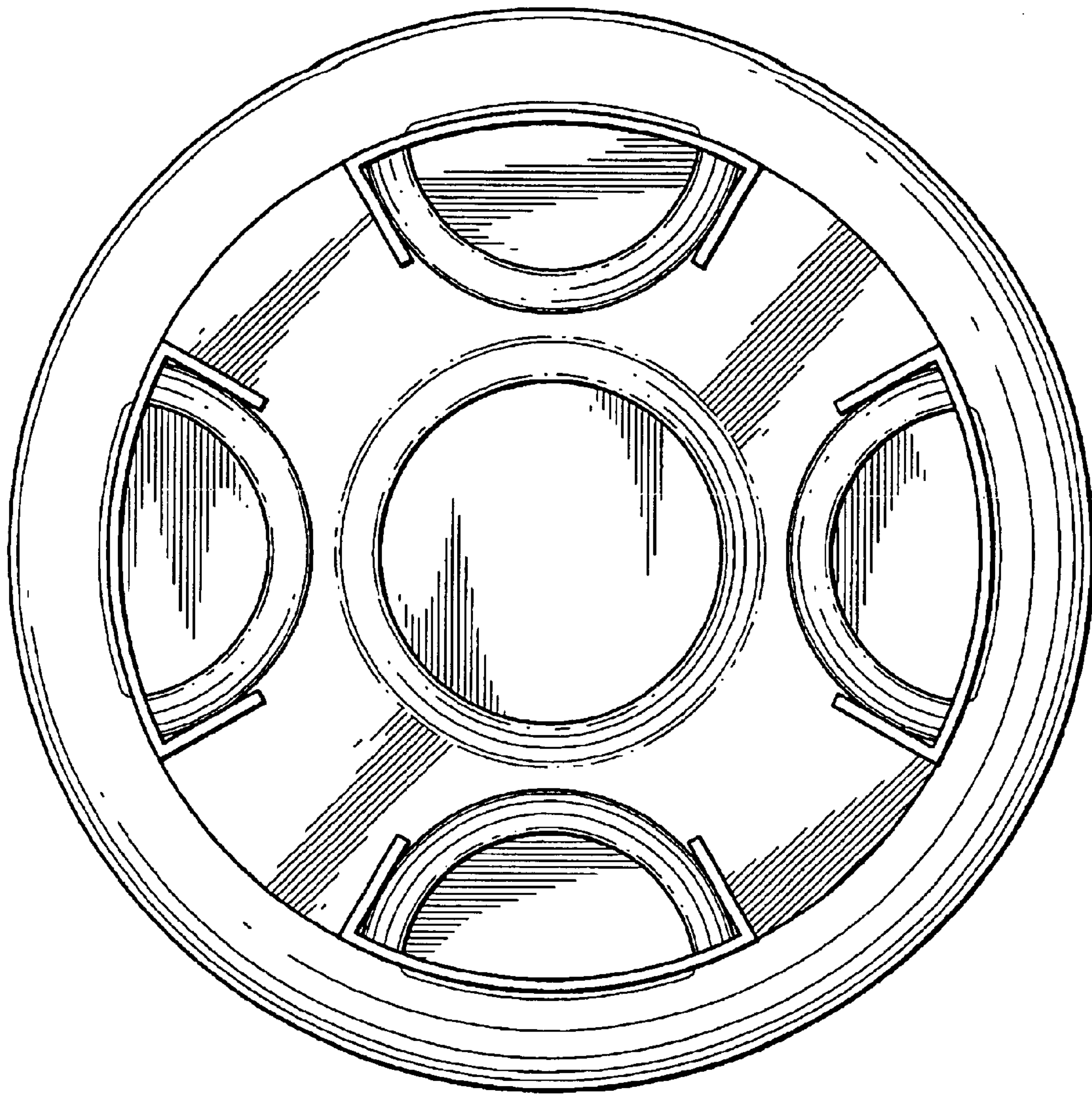


FIG. 2

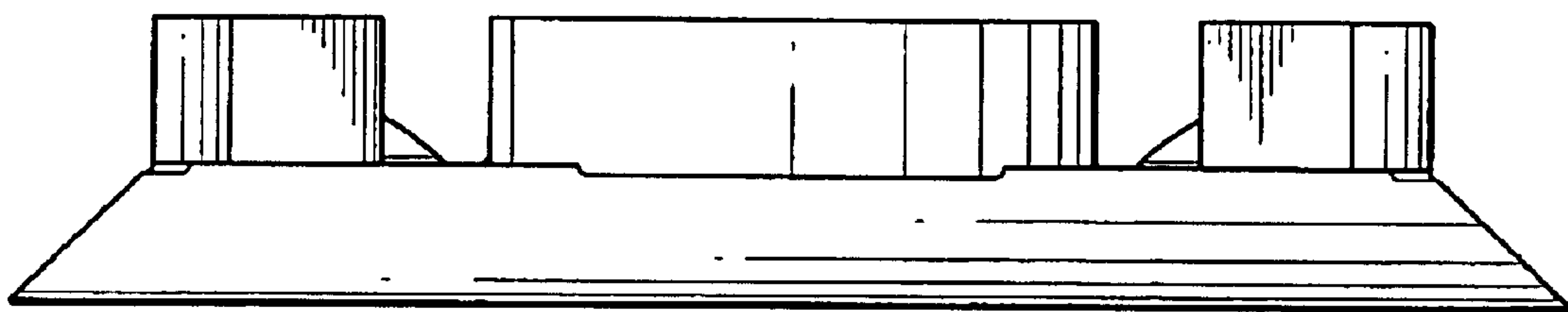


FIG. 3

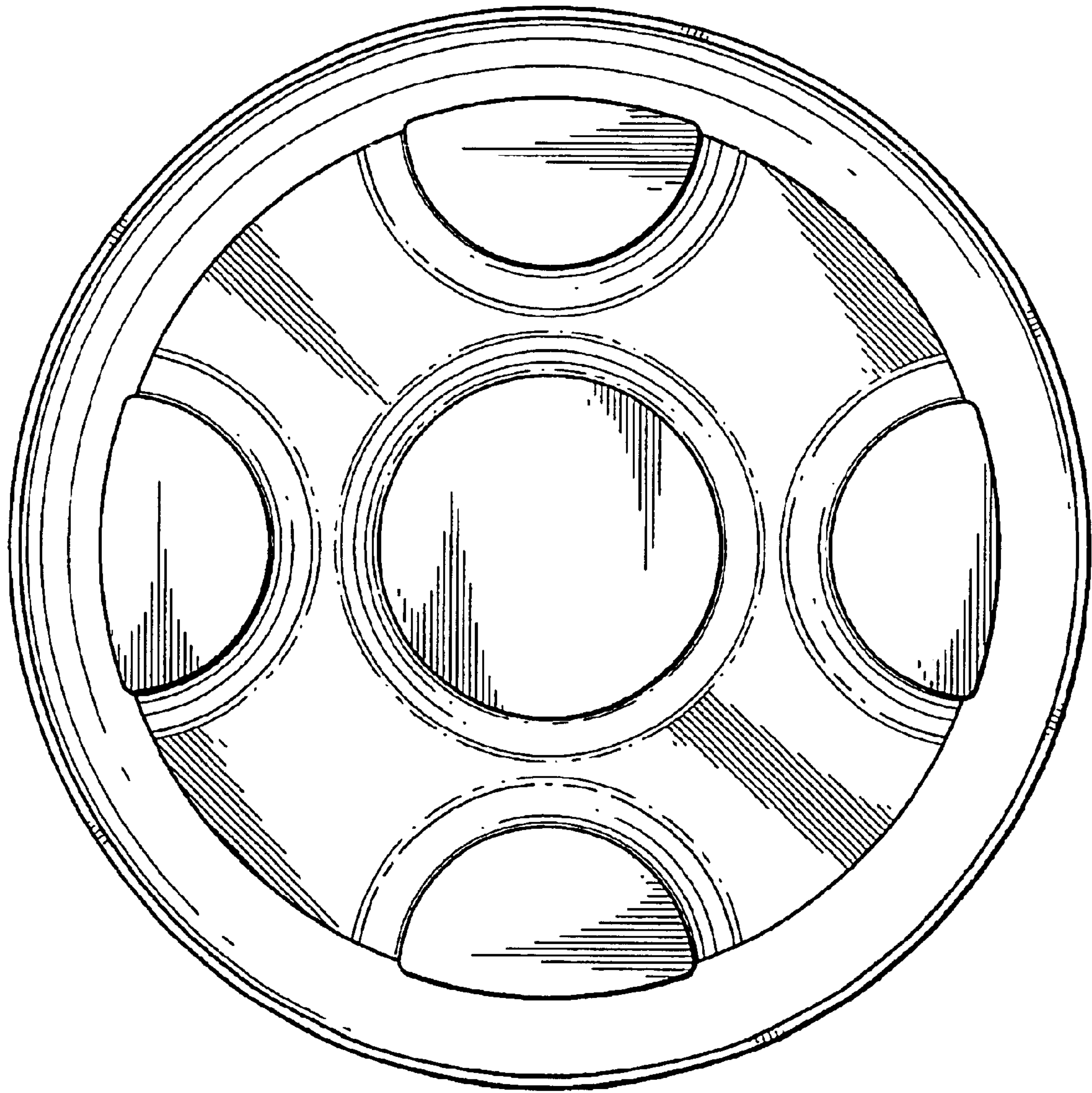


FIG. 4