

US00D491996S1

(12) **United States Design Patent** (10) **Patent No.:** **US D491,996 S**  
**Rae** (45) **Date of Patent:** **\*\* Jun. 22, 2004**

(54) **SWORD**  
(75) Inventor: **Kit Rae**, Kodak, TN (US)  
(73) Assignee: **United Cutlery Corporation**,  
Sevierville, TN (US)  
(\*\*) Term: **14 Years**  
(21) Appl. No.: **29/166,205**  
(22) Filed: **Aug. 22, 2002**  
(51) **LOC (7) Cl.** ..... **22-02**  
(52) **U.S. Cl.** ..... **D22/118**  
(58) **Field of Search** ..... D22/118, 117;  
D21/567, 568; 30/342, 295; D3/220

D452,546 S \* 12/2001 Barker, II ..... D22/118  
D452,895 S 1/2002 Rae et al. .... D22/118  
D461,217 S 8/2002 Hall et al. .... D22/118  
D461,868 S 8/2002 Hall et al. .... D22/118

**OTHER PUBLICATIONS**

U.S. Cavalry Knives, 1994, p. 111, Catalog.  
The Noble Collection, Winter 1997/1998, Historic Daggers,  
No page listed, Catalog.  
United Cutlery Brands, Catalog # 42, 2002, pp. 7, 19, 21,  
29-30, 33-35, 39-45 and 51-60.

\* cited by examiner

*Primary Examiner*—Catherine R. Oliver  
(74) *Attorney, Agent, or Firm*—Pitts & Brittan, P.C.

(57) **CLAIM**

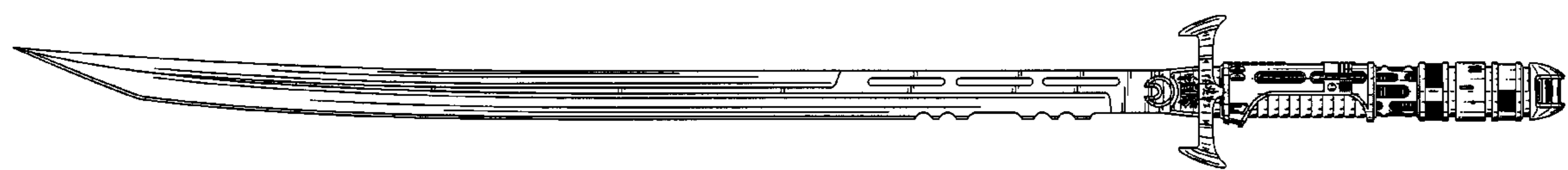
The ornamental design for a sword, as shown and described.

**DESCRIPTION**

FIG. 1 is a left side elevational view of the design of the present invention for a sword;  
FIG. 2 is a right side elevational view of the sword of FIG. 1;  
FIG. 3 is a front elevational view of the sword of FIG. 1;  
FIG. 4 is a rear elevational view of the sword of FIG. 1;  
FIG. 5 is a top plan view of the sword of FIG. 1;  
FIG. 6 is a bottom plan view of the sword of FIG. 1;  
FIG. 7 is a partial left side elevational view of the sword of FIG. 1, showing a magnified view of the sword handle of the sword; and,  
FIG. 8 is a partial right side elevational view of the sword of FIG. 1, showing a magnified view of the sword handle of the sword.

**1 Claim, 7 Drawing Sheets**

(56) **References Cited**  
**U.S. PATENT DOCUMENTS**  
D225,527 S \* 12/1972 Cole ..... D22/118  
D299,375 S 1/1989 Pipes ..... D22/188  
D302,455 S 7/1989 Hibben ..... D22/118  
D304,798 S \* 11/1989 Thompson ..... D22/118  
D323,694 S 2/1992 Pipes ..... D22/188  
5,440,814 A 8/1995 Hall et al. .... 30/295  
D362,485 S 9/1995 Hall ..... D22/118  
D363,109 S 10/1995 Hall ..... D22/118  
D371,592 S 7/1996 Hall et al. .... D22/118  
D375,779 S 11/1996 Hibben ..... D22/118  
D379,488 S 5/1997 Hibben ..... D22/118  
D380,520 S 7/1997 Hibben ..... D22/118  
D382,187 S 8/1997 Hibben ..... D8/76  
D383,519 S 9/1997 Lainhart ..... D22/118  
D406,308 S 3/1999 Hibben ..... D22/118  
D430,258 S 8/2000 Hall et al. .... D22/118  
D430,917 S 9/2000 Hall et al. .... D22/118  
D434,466 S 11/2000 Hall et al. .... D22/118  
D451,571 S \* 12/2001 Barker, II ..... D22/118



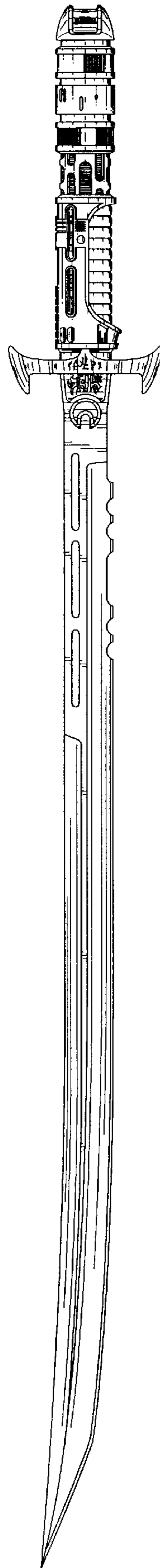


FIG. 1

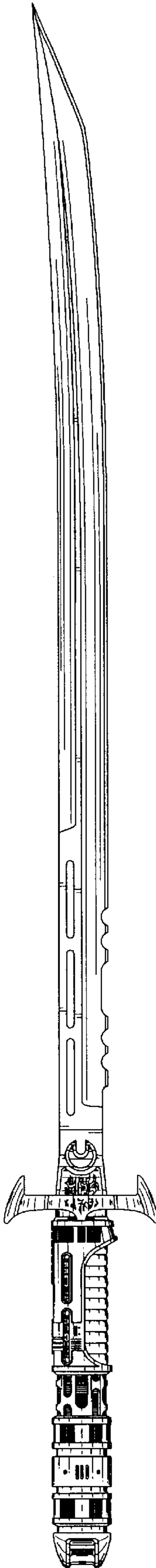


FIG. 2

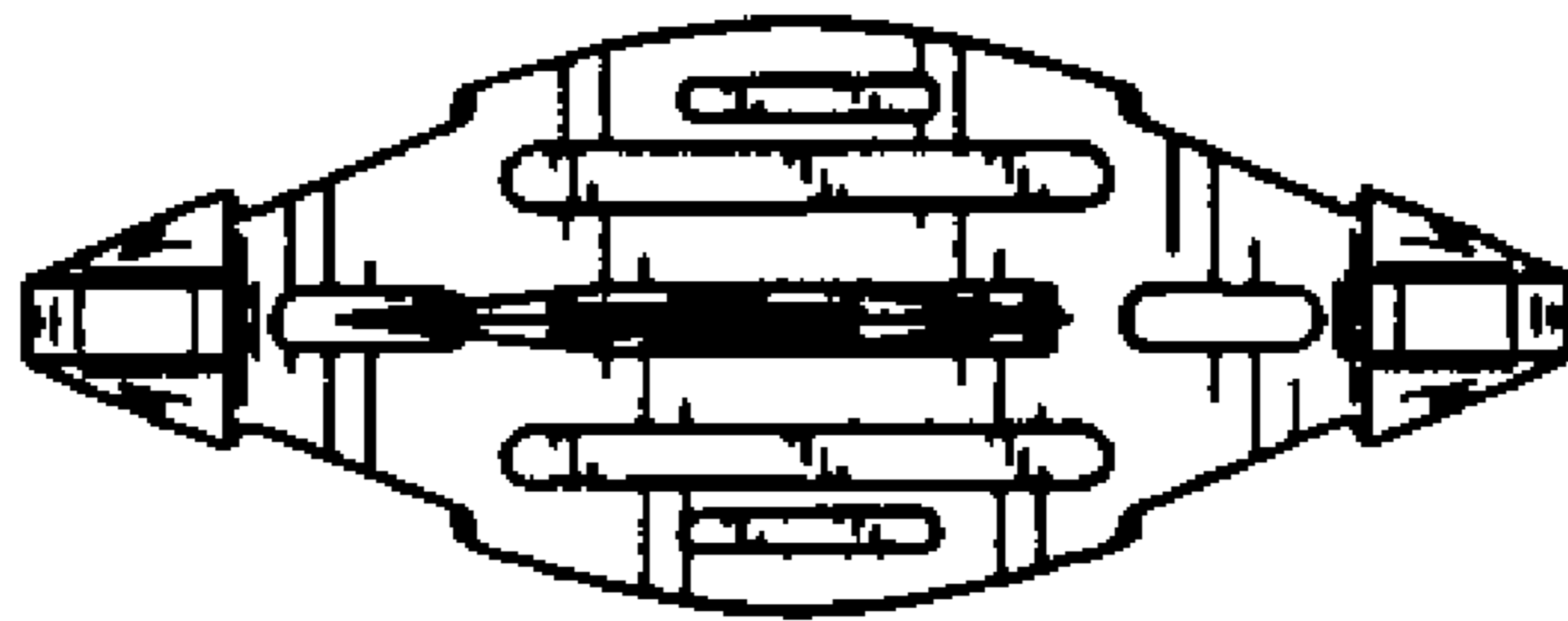
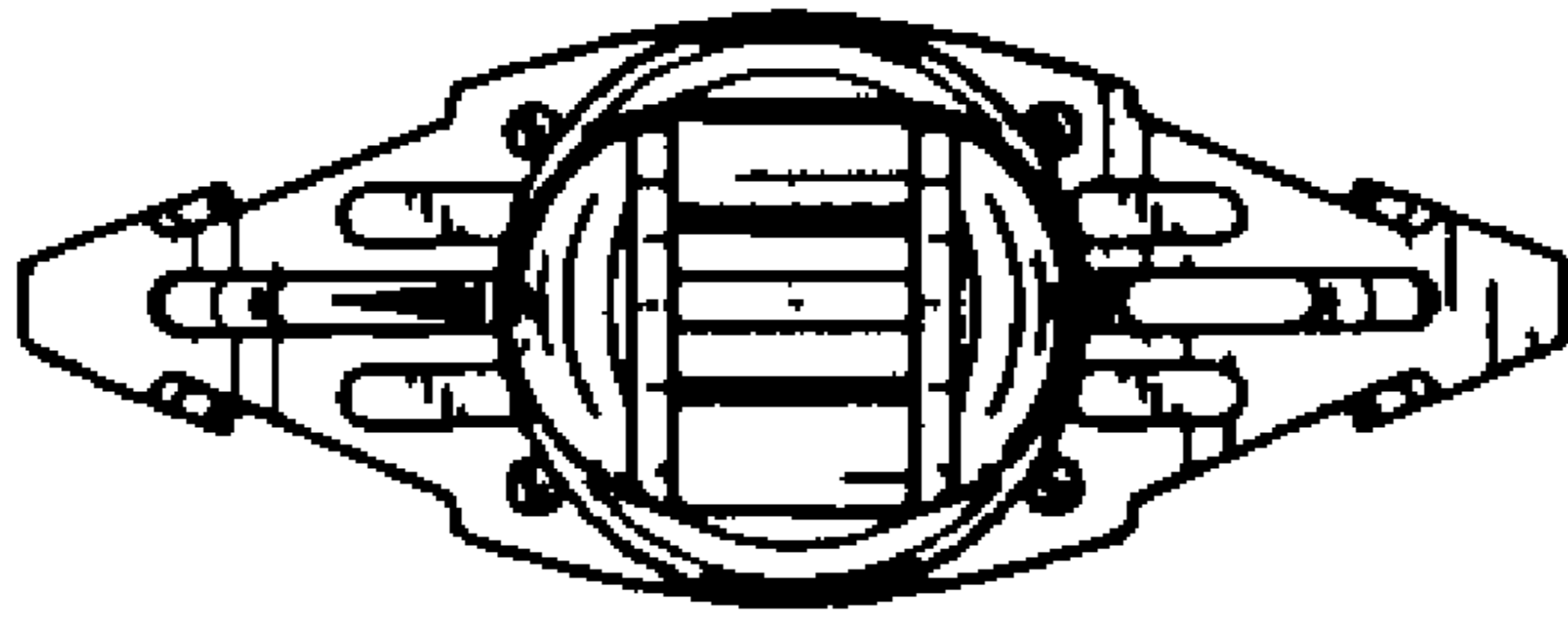


FIG. 3 FIG. 4

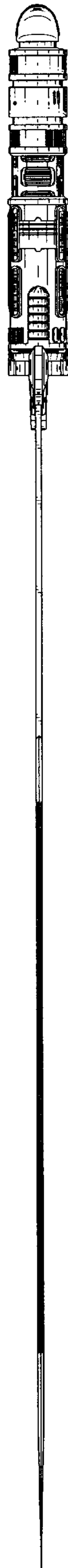


FIG. 5

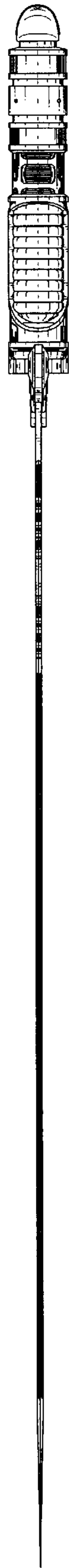


FIG. 6

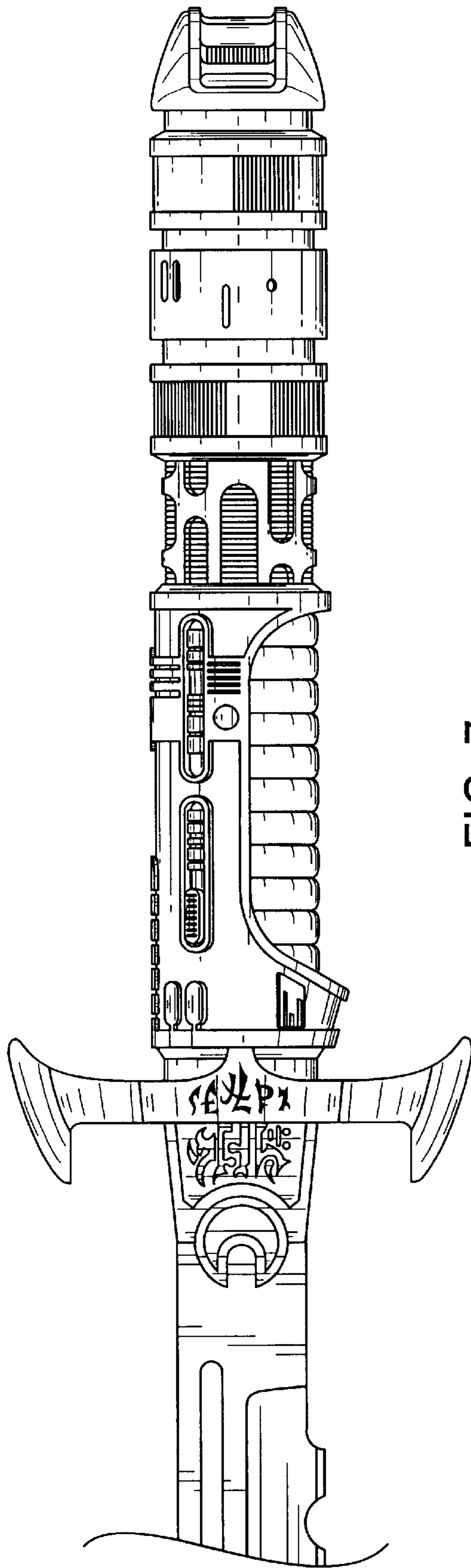


FIG. 7

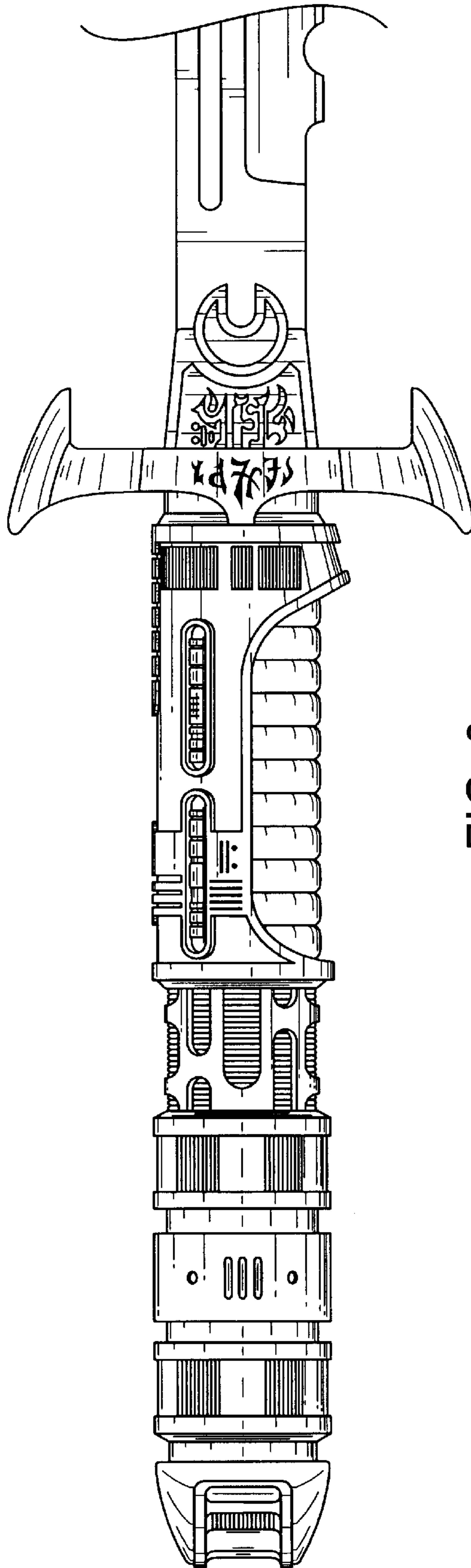


FIG. 8