

US00D491994S1

(12) **United States Design Patent**  
**Peterson**

(10) **Patent No.:** **US D491,994 S**  
(45) **Date of Patent:** **\*\* Jun. 22, 2004**

- (54) **INFLATABLE FLOAT**
- (75) **Inventor:** **Leroy L. Peterson**, Omaha, NE (US)
- (73) **Assignee:** **Sportsstuff, Inc.**, Omaha, NE (US)
- (\*\*) **Term:** **14 Years**
- (21) **Appl. No.:** **29/178,034**
- (22) **Filed:** **Mar. 20, 2003**
- (51) **LOC (7) Cl.** ..... **21-02**
- (52) **U.S. Cl.** ..... **D21/803; D21/809**
- (58) **Field of Search** ..... D21/801, 803,  
D21/809, 810, 769, 770, 797; D12/316;  
D6/604, 601, 596, 605, 335, 356, 361,  
369, 375; 297/452.41; 441/35, 40-43, 66,  
67, 88, 129-132; 114/345, 346, 253; 472/128,  
129

- D303,560 S \* 9/1989 Scheurer ..... D21/809
- 4,905,332 A \* 3/1990 Wang ..... 5/655.3
- D308,403 S \* 6/1990 LaForce, Jr. .... D21/809
- 5,020,168 A \* 6/1991 Wood ..... 4/573.1
- 5,219,307 A \* 6/1993 Morrison ..... 441/38
- 5,476,404 A \* 12/1995 Price ..... 441/131
- 6,102,759 A \* 8/2000 Klimenko ..... 441/40

\* cited by examiner

*Primary Examiner*—Lucy Lieberman  
(74) *Attorney, Agent, or Firm*—Sturm & Fix LLP

(57) **CLAIM**

The ornamental design for an inflatable float, as shown and described.

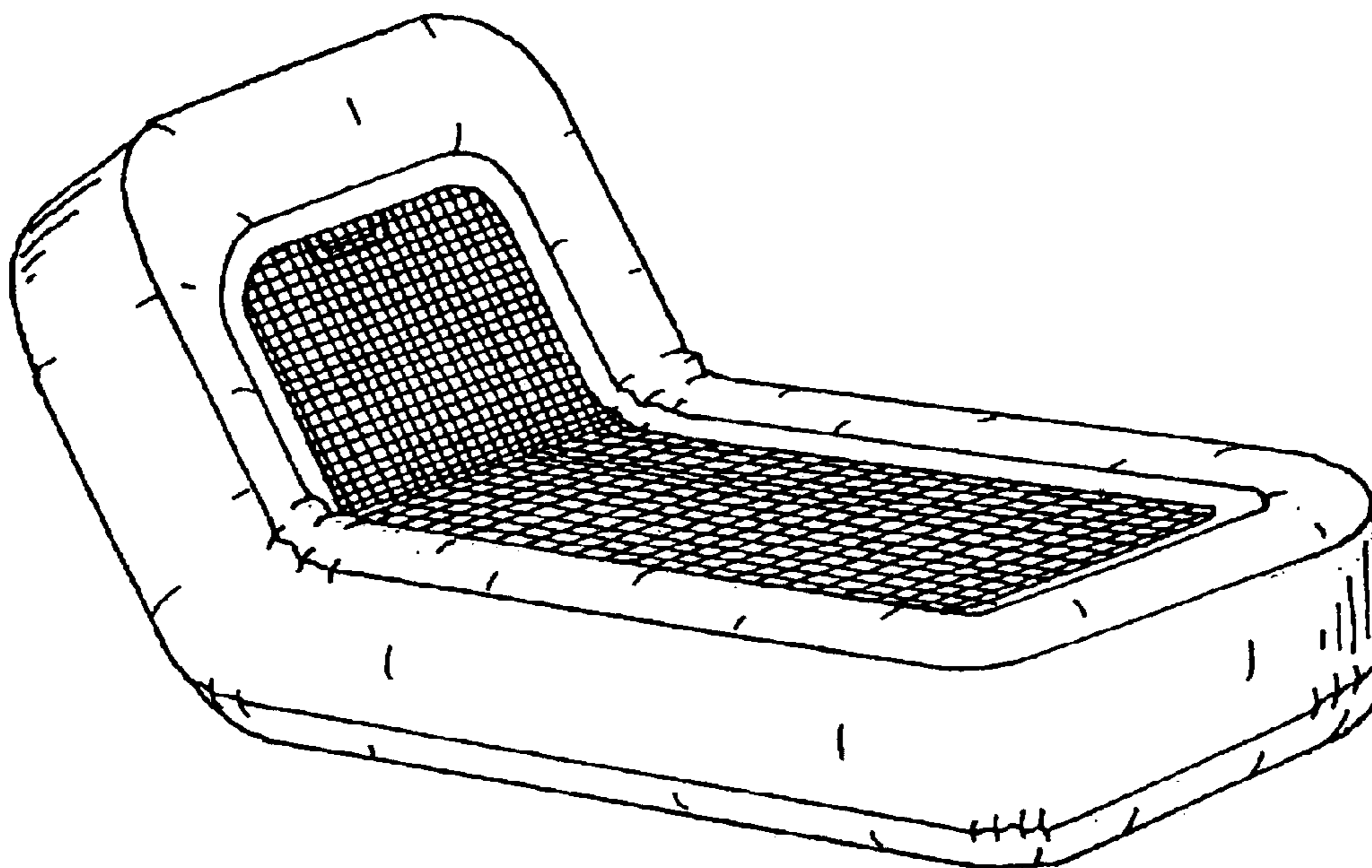
**DESCRIPTION**

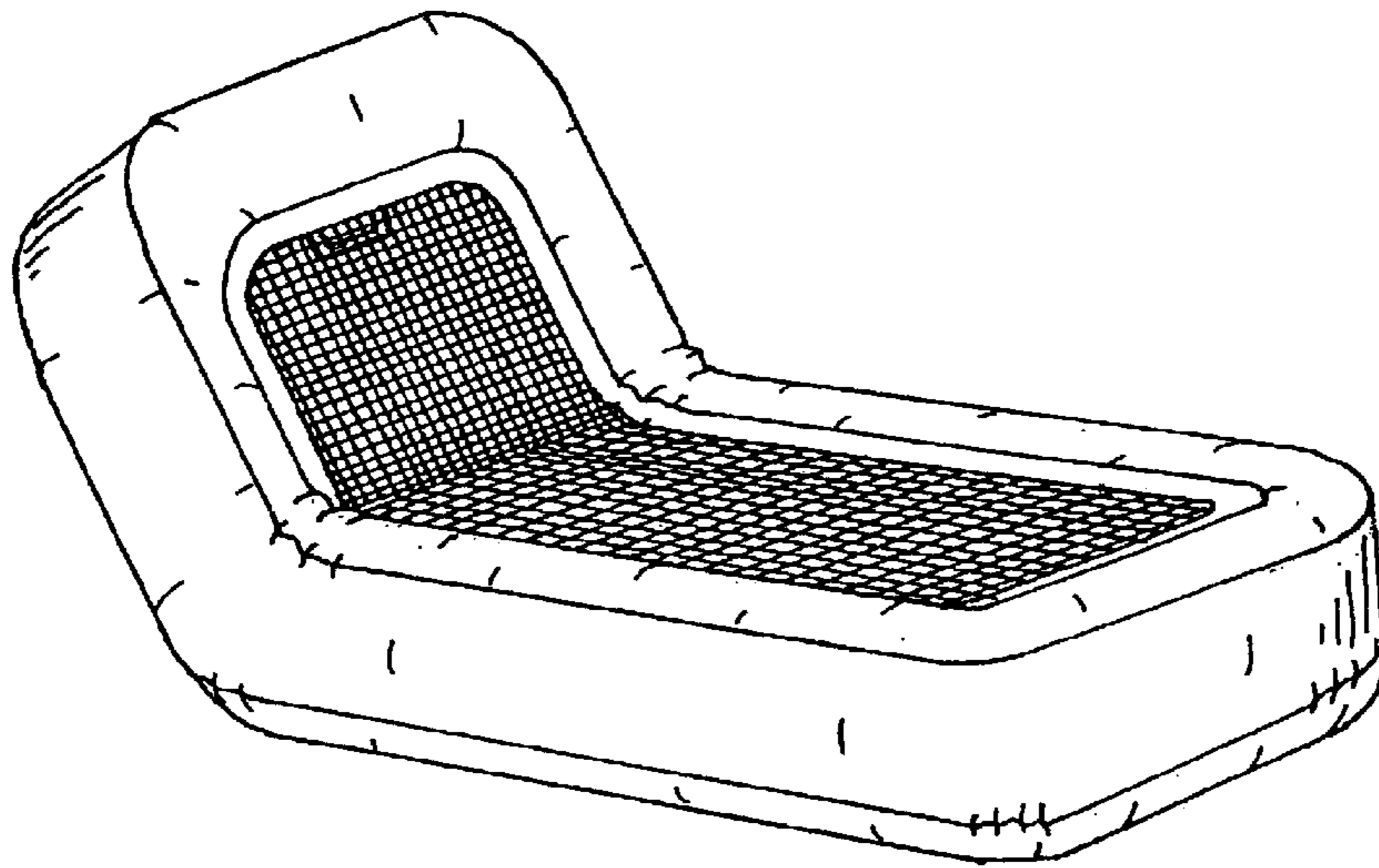
FIG. 1 is a perspective view of the inflatable float showing my new design;  
FIG. 2 is a left side elevation of an inflatable float, the right side elevation is a mirror image thereto;  
FIG. 3 is a top plan view thereof;  
FIG. 4 is a bottom plan view thereof;  
FIG. 5 is a front elevational view thereof; and,  
FIG. 6 is a rear elevational view thereof.

**1 Claim, 2 Drawing Sheets**

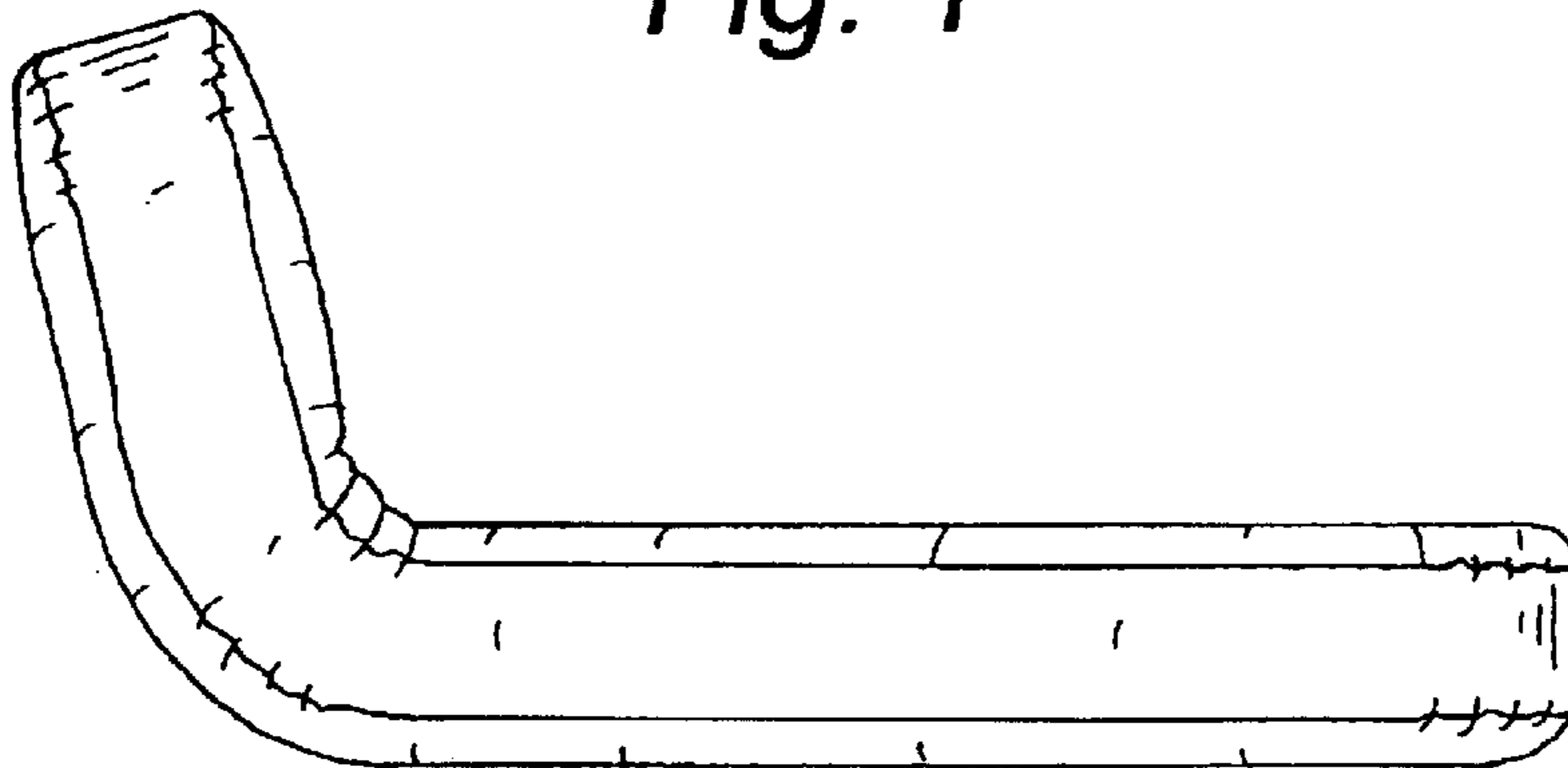
(56) **References Cited**  
**U.S. PATENT DOCUMENTS**

- D148,666 S \* 2/1948 Vincent, Jr. .... D6/361
- 2,803,839 A \* 8/1957 Mosley ..... 441/131
- D187,313 S \* 2/1960 Denyer ..... D21/803
- 3,653,084 A \* 4/1972 Hartman ..... 441/40
- D253,801 S \* 1/1980 Beall ..... D6/381

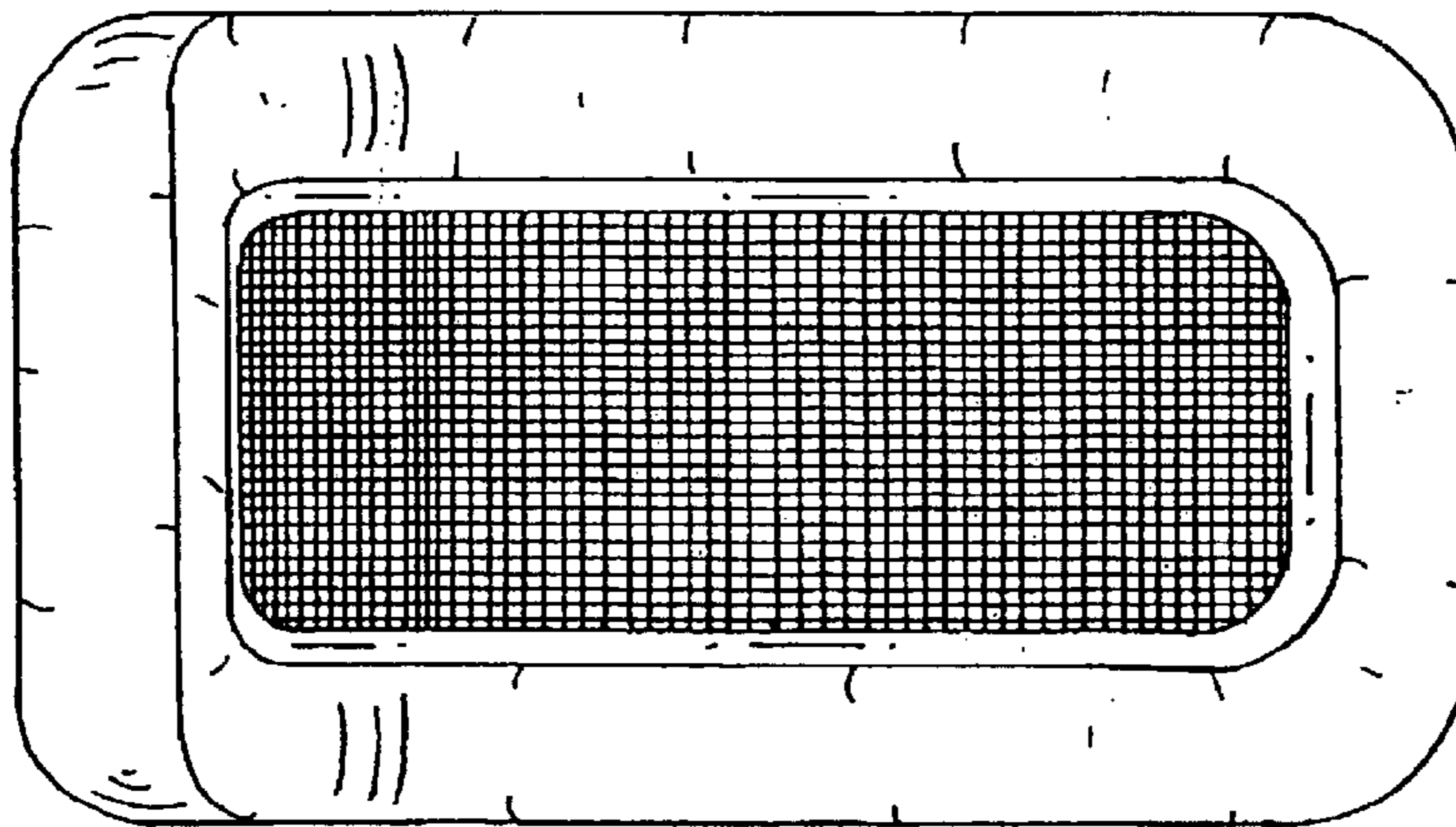




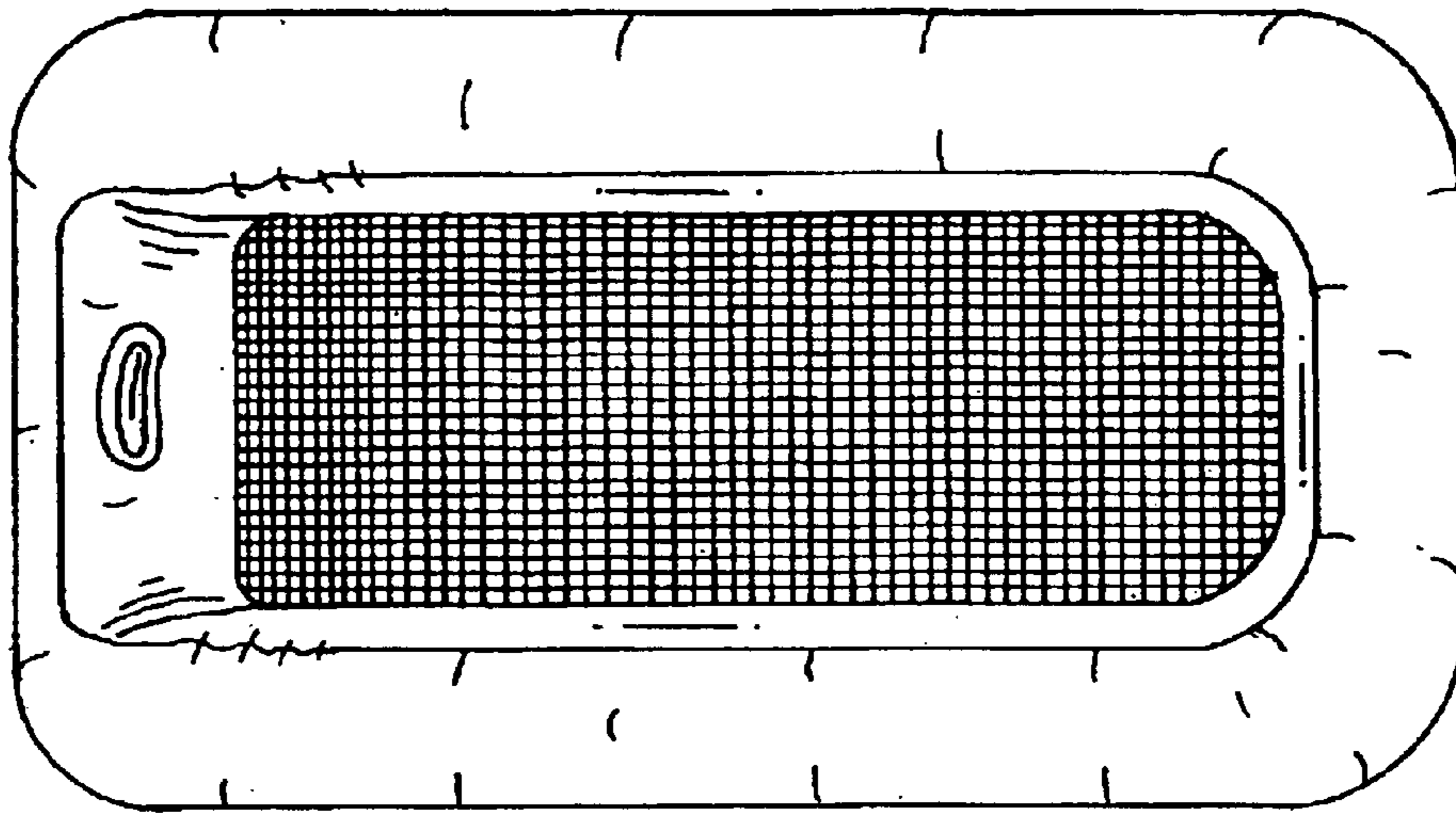
*Fig. 1*



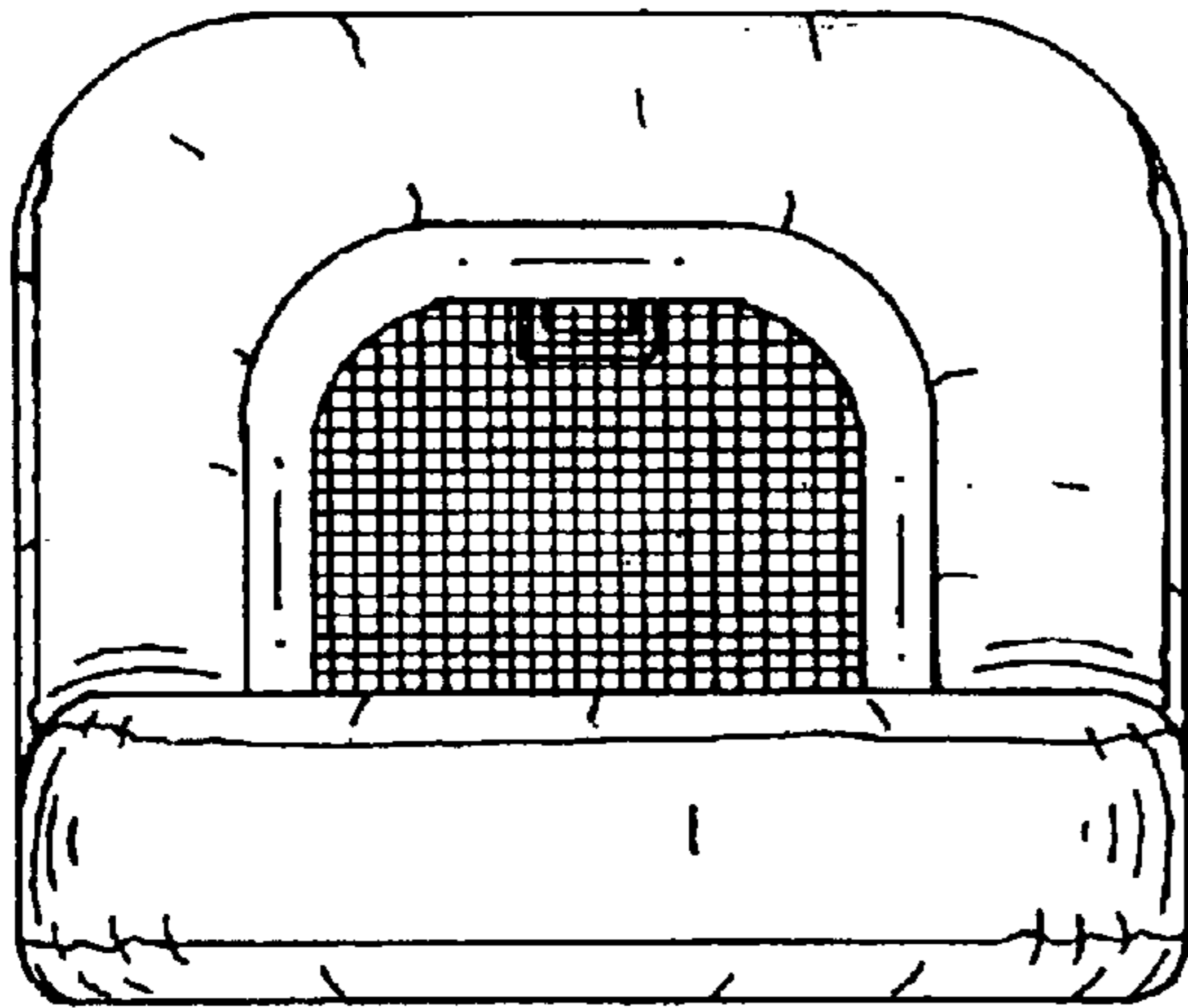
*Fig. 2*



*Fig. 3*



*Fig. 4*



*Fig. 5*

*Fig. 6*

