



US00D491985S1

(12) **United States Design Patent** (10) **Patent No.:** **US D491,985 S**  
**Mueller et al.** (45) **Date of Patent:** **\*\* Jun. 22, 2004**

(54) **TAPE DISPENSER**

D442,227 S 5/2001 Carlson et al.  
D448,414 S 9/2001 Carlson et al.

(75) Inventors: **Gerald E. Mueller**, Eagan, MN (US);  
**John T. Peterson**, New Richmond, WI (US);  
**Jay N. Rogers**, New Richmond, WI (US);  
**Arthur V. Lang**, Maplewood, MN (US);  
**Dennis L. Crawford**, Roberts, WI (US);  
**Paul D. Amos**, Stillwater, MN (US);  
**David K. Bruechert**, Maplewood, MN (US)

**FOREIGN PATENT DOCUMENTS**

WO WO 99/55790 11/1999

**OTHER PUBLICATIONS**

2003 Staples Contract Division Supply Catalog, cover pages and pp. 432, 433, 435 and 437, published prior to Jan. 17, 2003.

2002 Office Depot Business Services Division Office Supply Catalog, Publication date: Jul. 10, 2002, cover page and pp. 3, 239, 240, 241 and 242.

ULINE Fall/Winter 2002–2003 Shipping Supply Specialist Supply Catalog, cover and cover page, back page and pp. 232, 233, 235, 248 and 253, published prior to Jan. 17, 2003.

(List continued on next page.)

*Primary Examiner*—Martie K. Holtje

(74) *Attorney, Agent, or Firm*—George W. Jonas

(73) Assignee: **3M Innovative Properties Company**, St. Paul, MN (US)

(\*\*) Term: **14 Years**

(21) Appl. No.: **29/175,067**

(22) Filed: **Jan. 29, 2003**

(51) **LOC (7) Cl.** ..... **19-02**

(52) **U.S. Cl.** ..... **D19/69; D19/67**

(58) **Field of Search** ..... D19/65, 67–69, D19/89, 99, 100; 206/389, 395–398, 411, 415; 225/6, 7, 19, 25, 57, 34–36, 45, 46, 52, 56, 53, 65, 77, 89; 156/327, 527, 523, 577; 242/588, 588.1–588.6, 419.4; 15/104.94

(57) **CLAIM**

The ornamental design for a tape dispenser, as shown and described.

**DESCRIPTION**

FIG. 1 is a perspective view of the tape dispenser according to the present invention;

FIG. 2 is a left side view of the tape dispenser illustrated in FIG. 1.

FIG. 3 is a right side view of the tape dispenser illustrated in FIG. 1.

FIG. 4 is a rear view of the tape dispenser illustrated in FIG. 1.

FIG. 5 is a front view of the tape dispenser illustrated in FIG. 1.

FIG. 6 is a top view of the tape dispenser illustrated in FIG. 1; and,

FIG. 7 is a bottom view of the tape dispenser illustrated in FIG. 1.

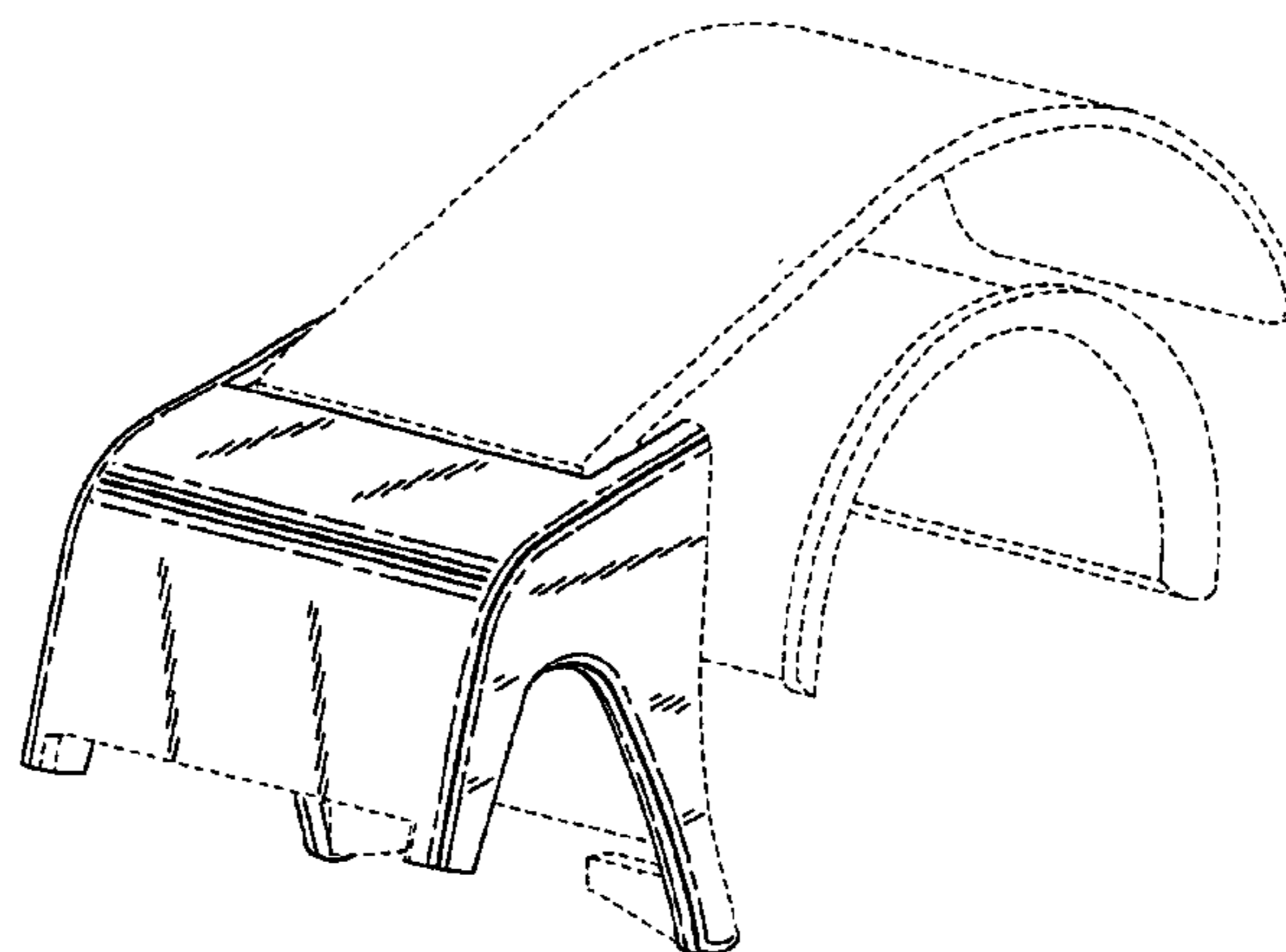
The structure depicted by means of broken lines in the figures has been shown for illustrative purposes only and forms no part of the claimed design.

(56) **References Cited**

**U.S. PATENT DOCUMENTS**

D177,870 S	5/1956	Loeb	
D179,091 S	10/1956	Pangburn	
D197,157 S	12/1963	Casey	
3,149,764 A	* 9/1964	Waltz	225/57
D225,577 S	12/1972	Boyce	
D239,620 S	4/1976	Fritzinger	
D245,914 S	9/1977	Fritzinger	
D259,643 S	6/1981	Pearson	
4,961,525 A	10/1990	Corbo et al.	
5,363,997 A	11/1994	Harris	
D361,086 S	* 8/1995	Thompson et al.	D19/69
D362,684 S	9/1995	Samuelson et al.	
5,468,332 A	11/1995	Dretzka et al.	
5,759,342 A	6/1998	Luhman et al.	
5,820,005 A	10/1998	Perkitny et al.	

**1 Claim, 3 Drawing Sheets**



OTHER PUBLICATIONS

Excell Tape Dispenser Catalog, pp. 41, 42, 65, 66, 67, 68, 81, 82, 83, 84, 85, 86, 87, 88, 89, 90, published prior to Jan. 17, 2003.

“Armour tape dispenser & tapes”, published prior to Jan. 17, 2003, p. 1.

“Carriage tapes dispensers & tapes”, published prior to Jan. 17, 2003, p. 1.

Glory Formosa Co., Ltd. Catalog, pp. 1–5, published prior to Jan. 17, 2003.

3M Scotch Brand H-122 tape dispenser—perspective, top, bottom, front, rear, left and right side views, pp. 1–4, sold by 3M Company prior to Jan. 2002.

\* cited by examiner

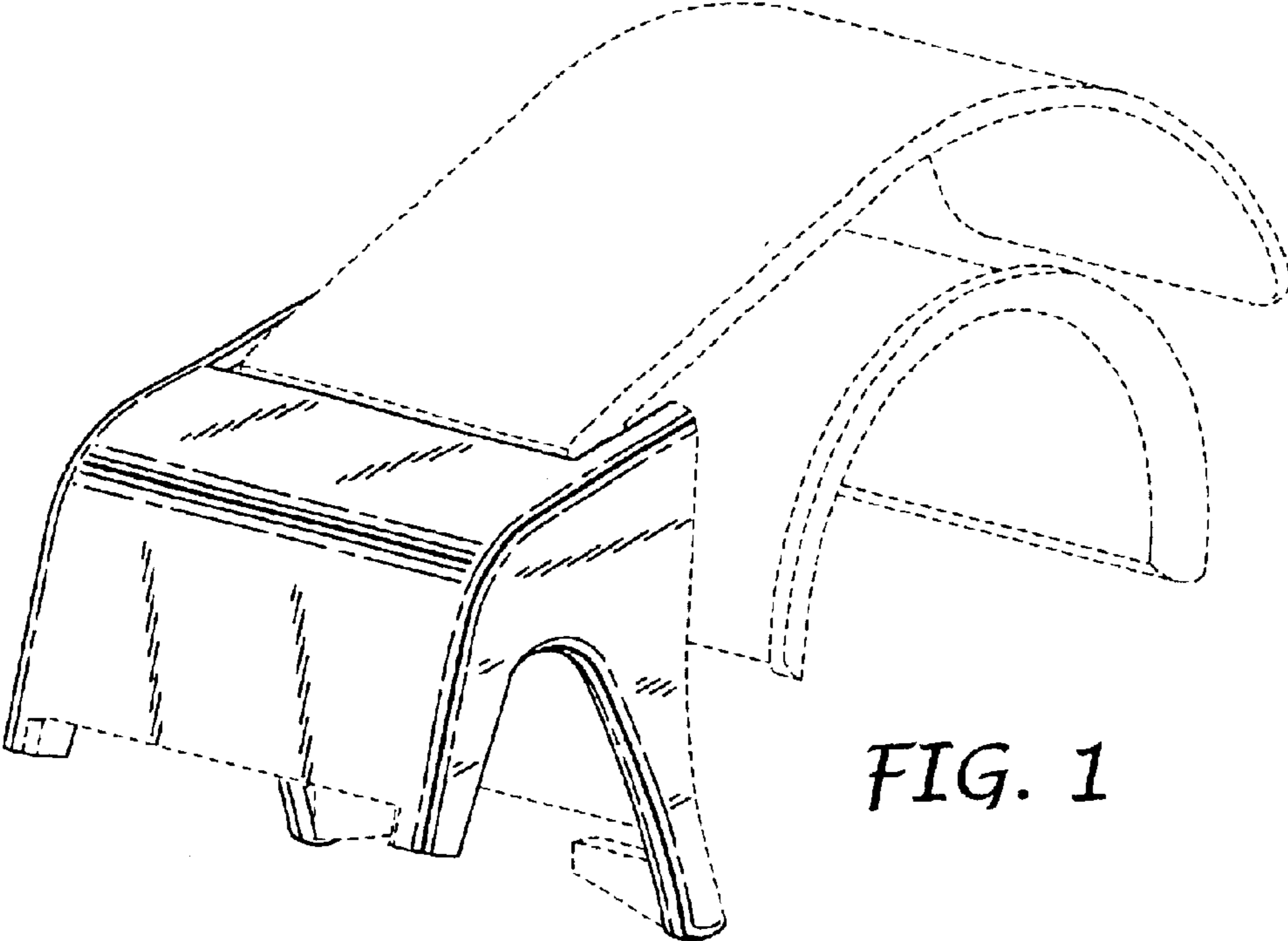


FIG. 1

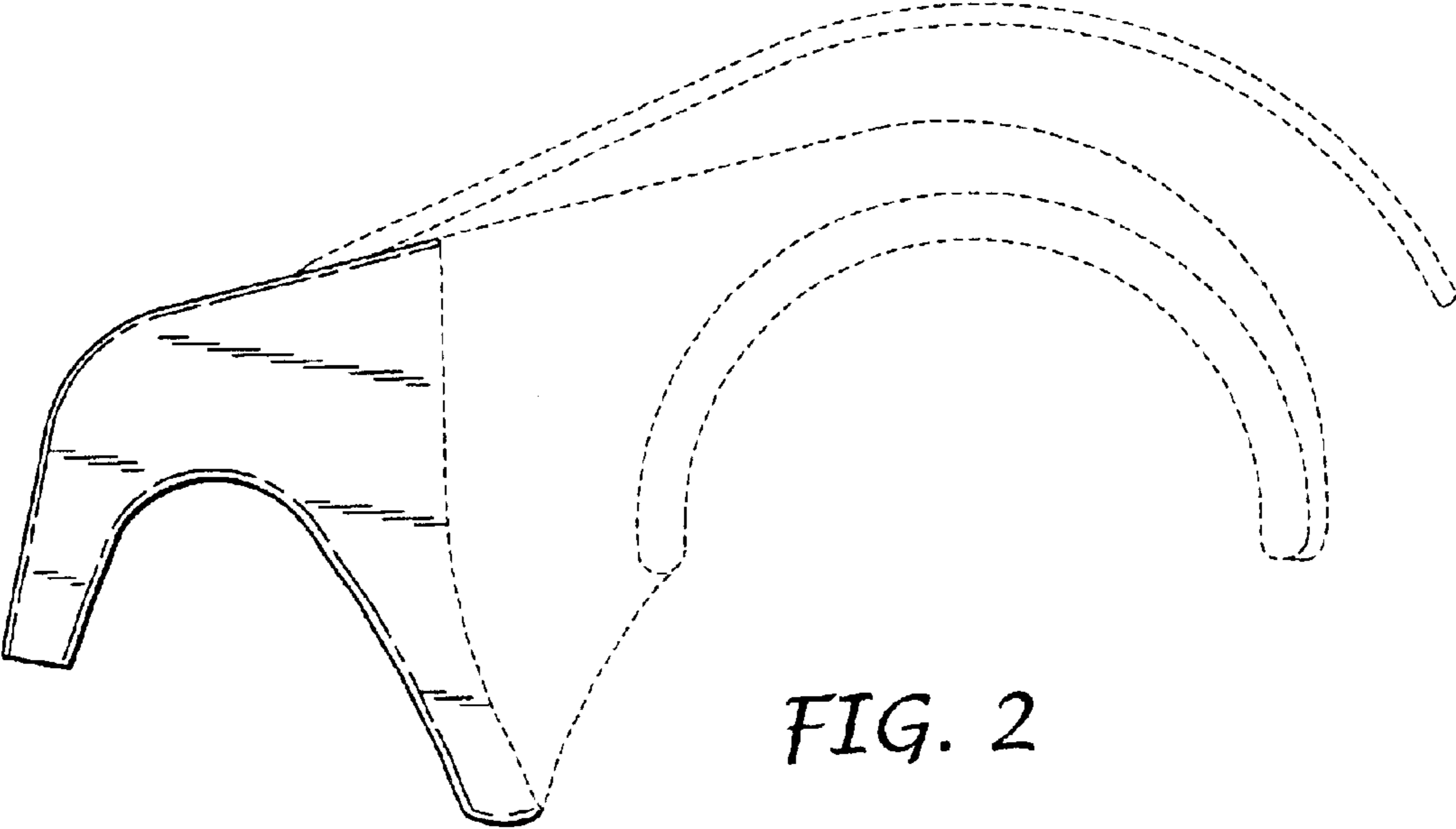


FIG. 2

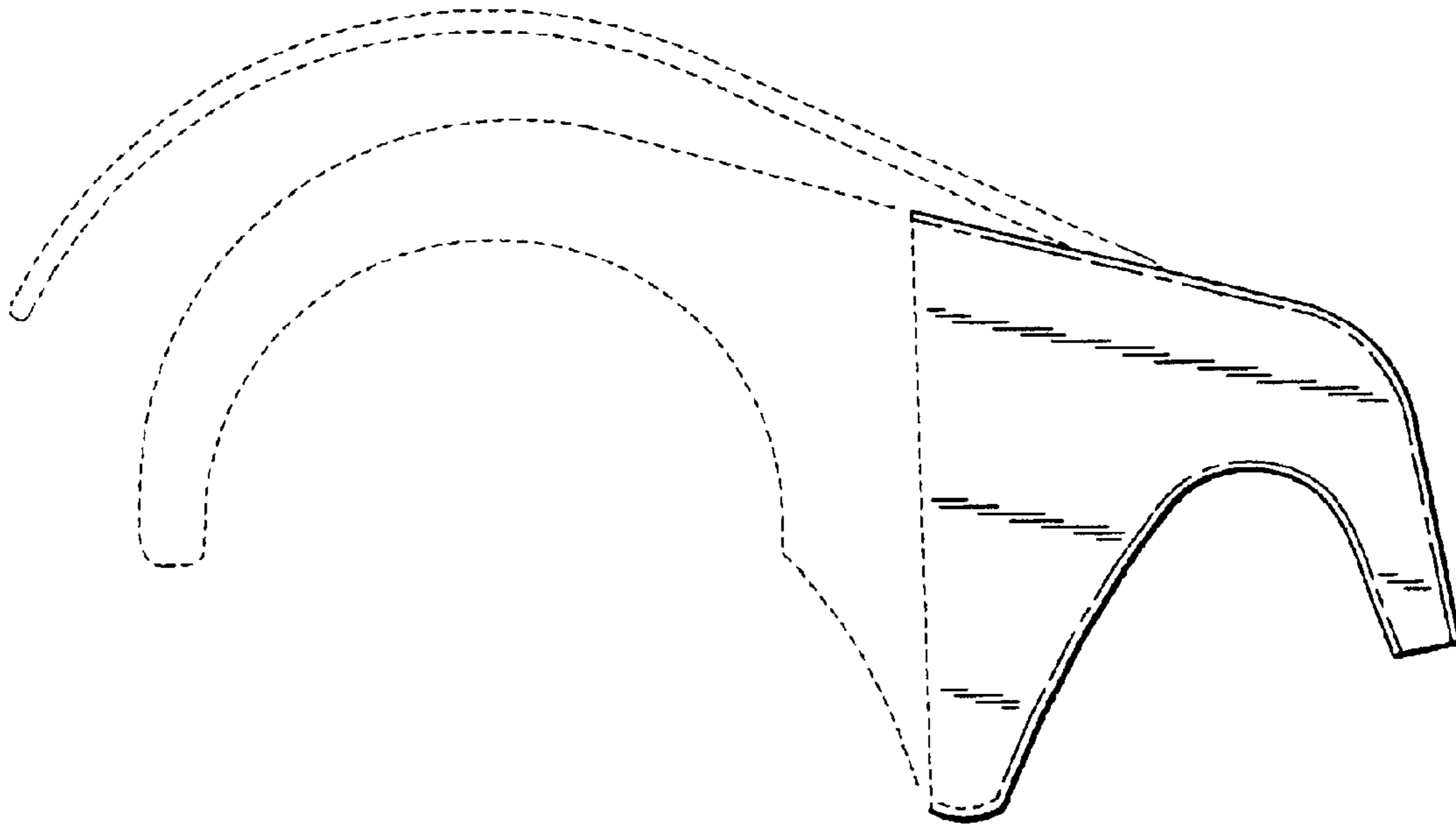


FIG. 3

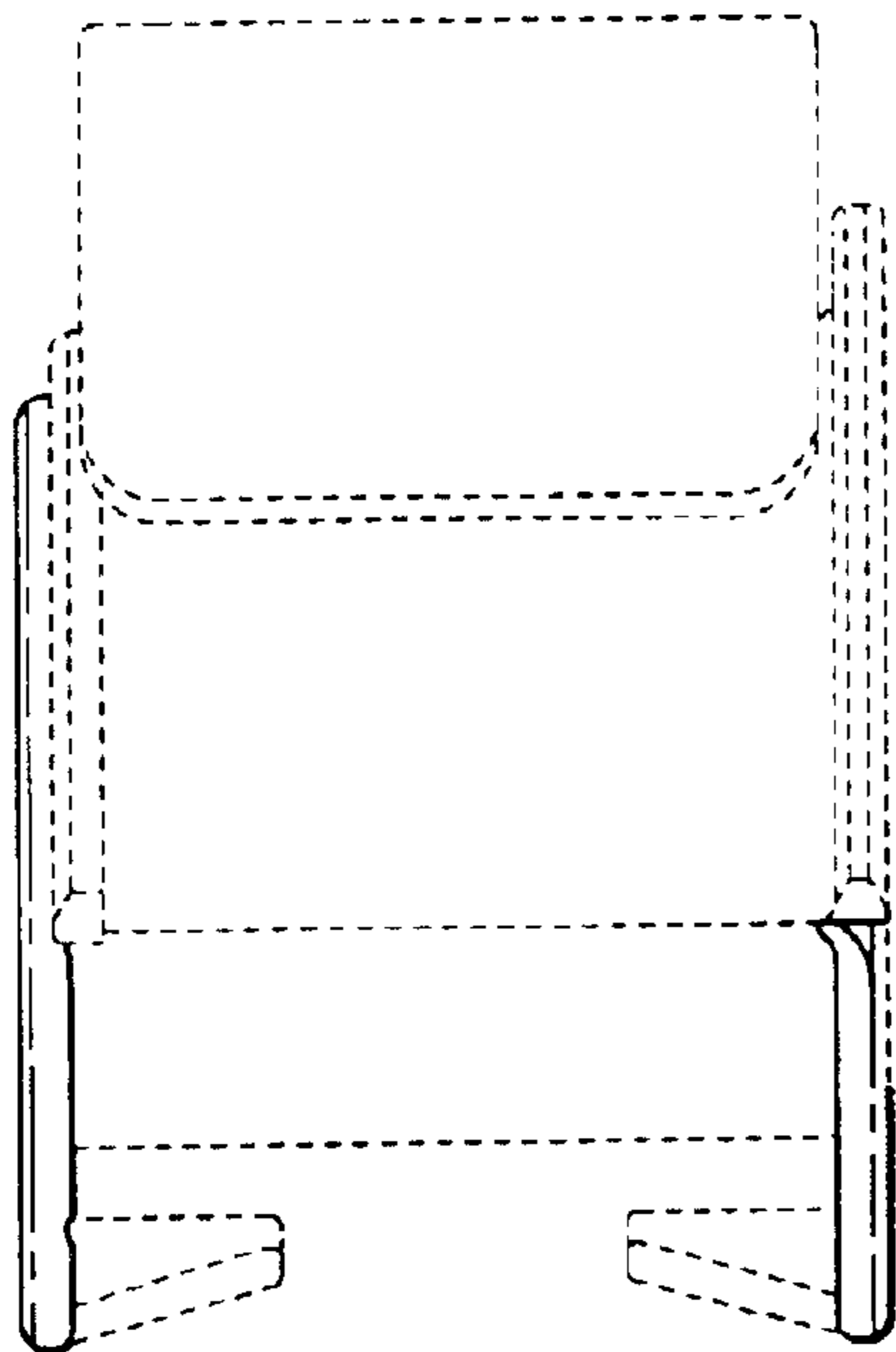


FIG. 4

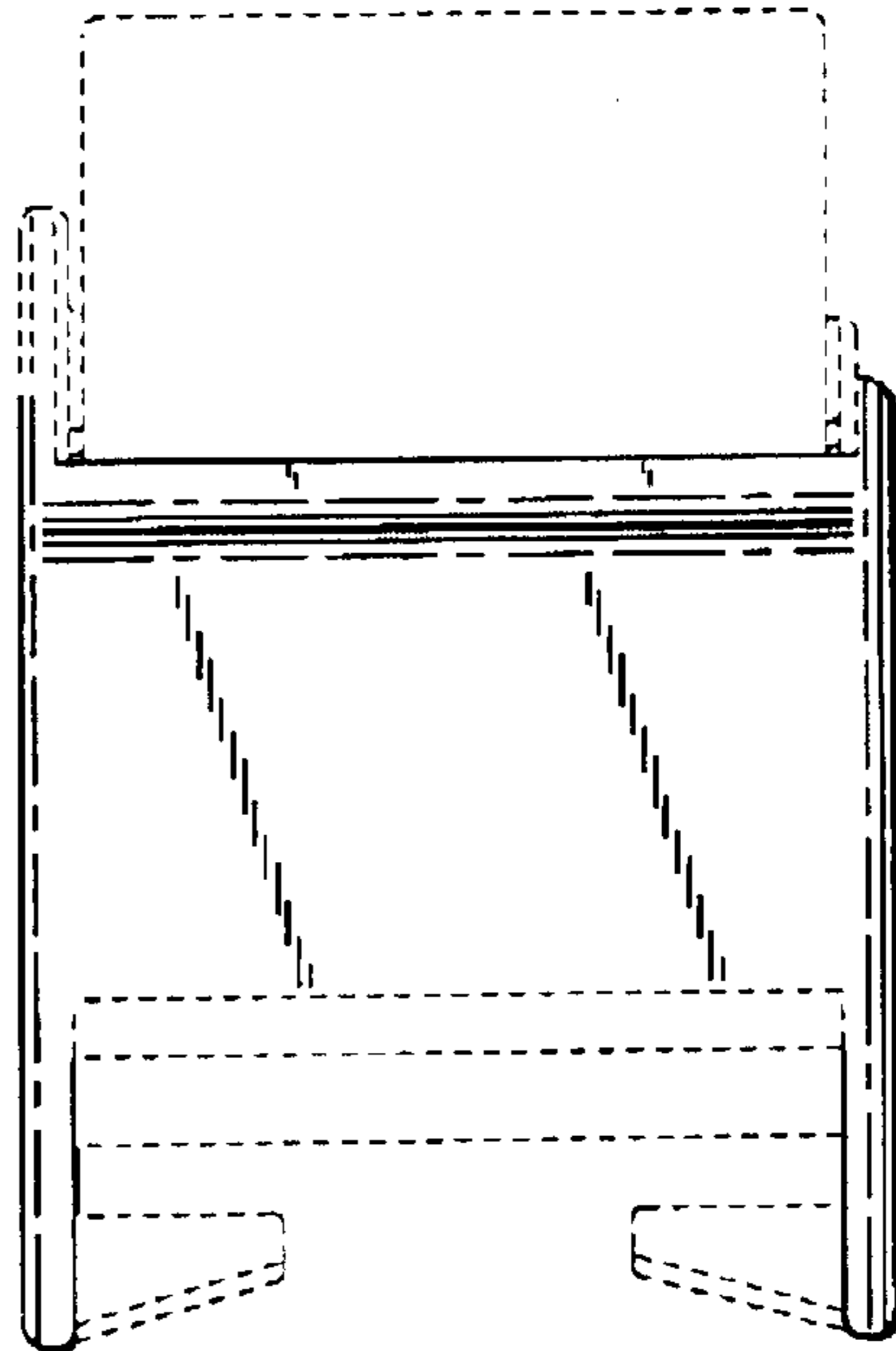


FIG. 5

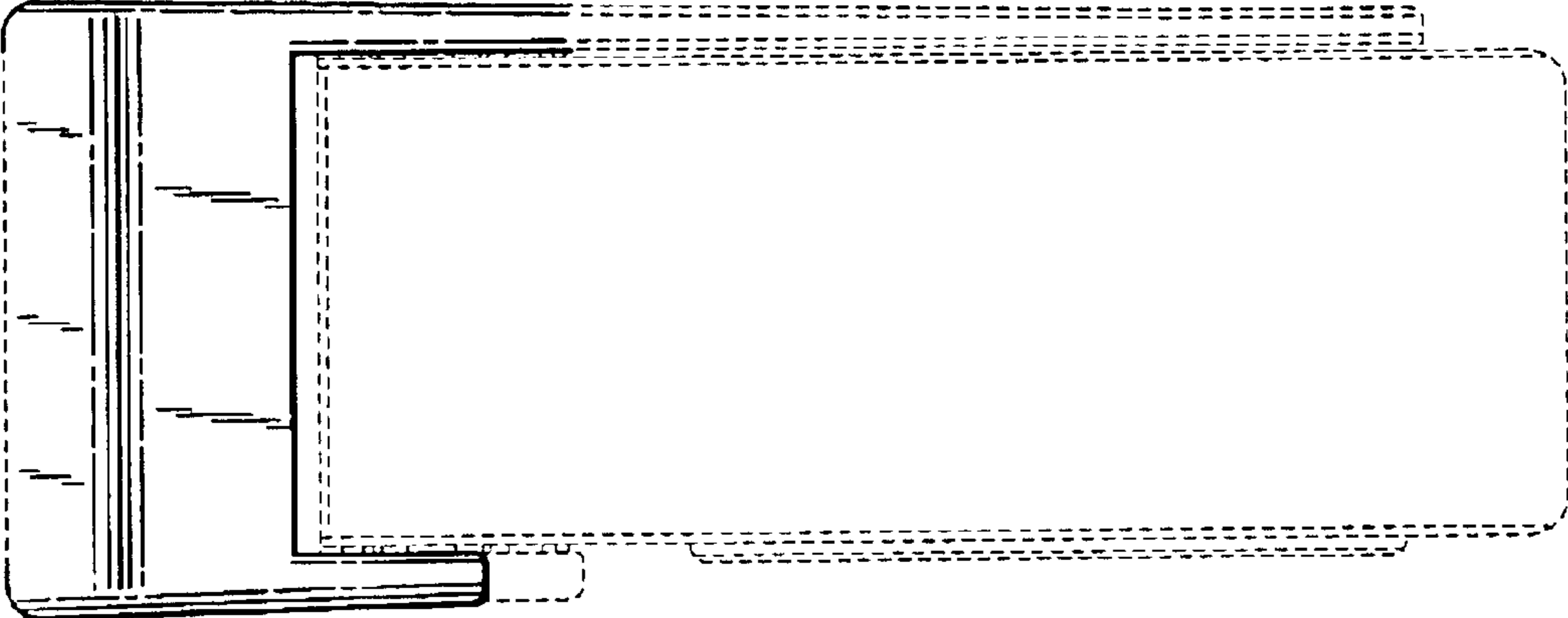


FIG. 6

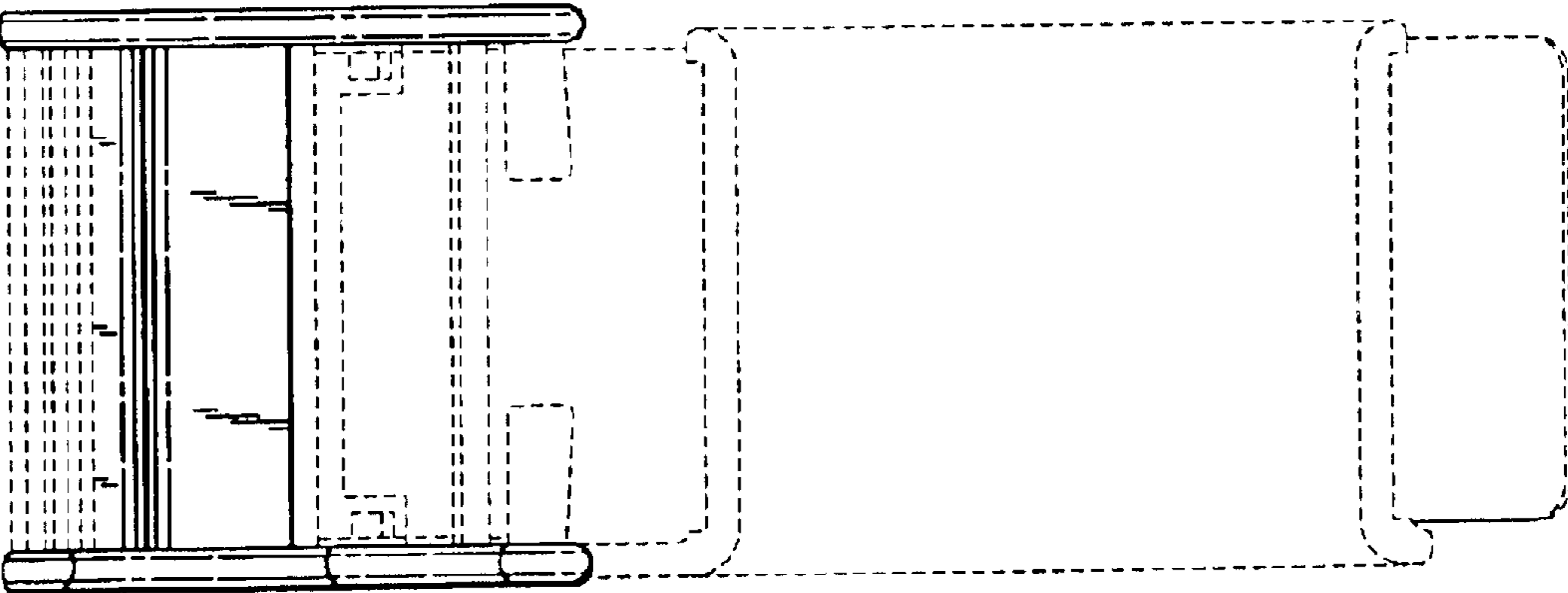


FIG. 7