

US00D491981S1

(12) **United States Design Patent**
Todd

(10) **Patent No.:** **US D491,981 S**
(45) **Date of Patent:** **** Jun. 22, 2004**

- (54) **PRINTER**
- (75) Inventor: **Douglas John Todd**, Boise, ID (US)
- (73) Assignee: **Hewlett-Packard Development Company, L.P.**, Houston, TX (US)
- (**) Term: **14 Years**
- (21) Appl. No.: **29/166,966**
- (22) Filed: **Sep. 5, 2002**
- (51) **LOC (7) Cl.** **14-02**
- (52) **U.S. Cl.** **D18/55**
- (58) **Field of Search** D18/50, 53-55, D18/36-39; D14/420-425, 462-670; 400/613, 613.1-613.4, 691-694, 690.1, 690.4

- D413,141 S * 8/1999 Matsumoto D18/55
- D423,562 S * 4/2000 Kobayashi D18/55
- D430,596 S * 9/2000 Shiozaki et al. D18/54
- D431,597 S * 10/2000 Gassett D18/55
- D432,564 S * 10/2000 Miyazawa D18/54
- D452,704 S * 1/2002 Kobayashi D18/55
- D455,172 S * 4/2002 Falk et al. D18/55

* cited by examiner

Primary Examiner—Cathy Anne MacCormac

(57) **CLAIM**

The ornamental design for a printer, as shown and described.

DESCRIPTION

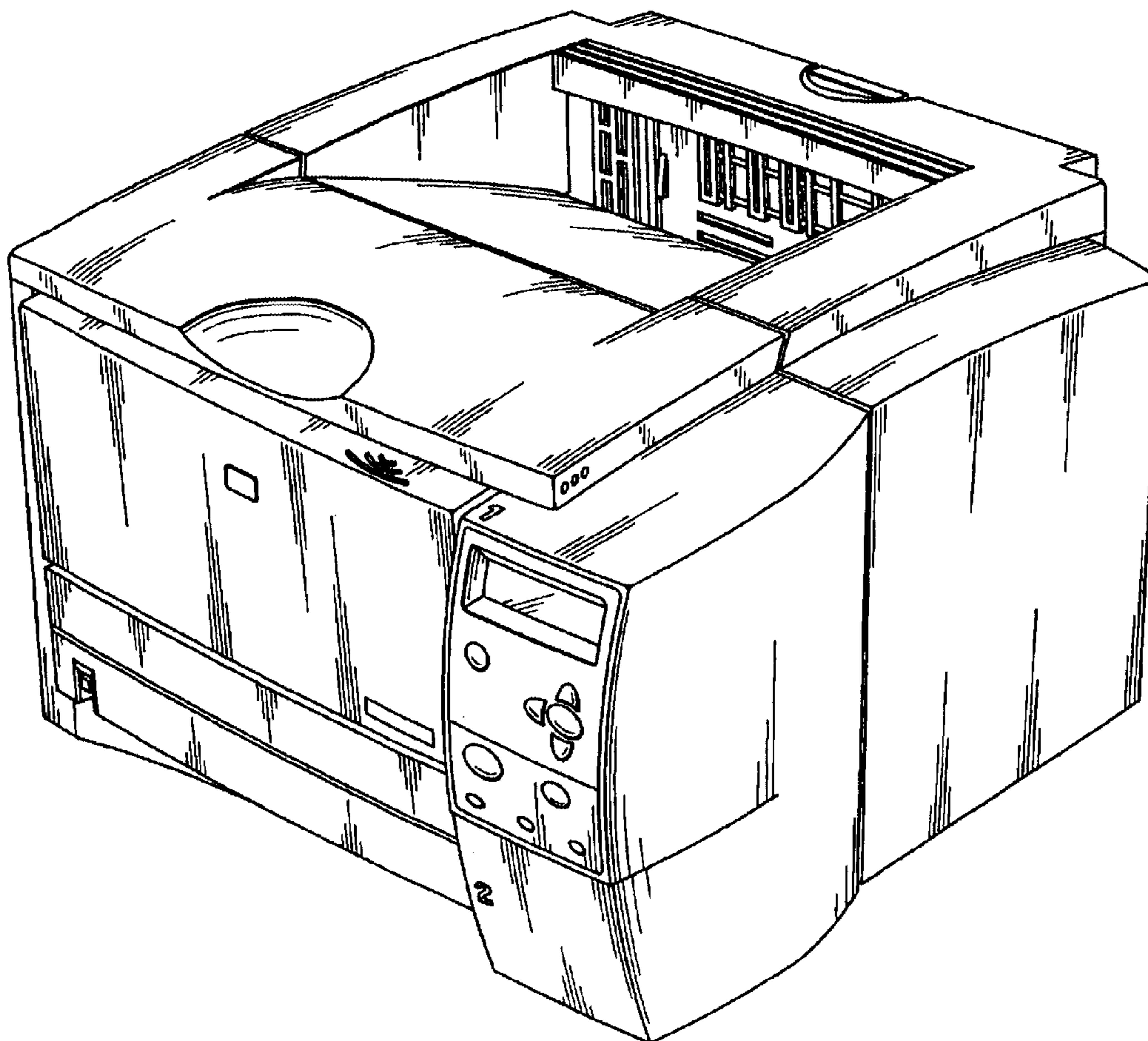
FIG. 1 is a right-front perspective view of a printer showing the new design;
 FIG. 2 is a front view thereof;
 FIG. 3 is a rear view thereof;
 FIG. 4 is a left side view thereof;
 FIG. 5 is a right side view thereof; and,
 FIG. 6 is a top view thereof.
 The broken lines in FIGS. 2, 3, 4, and 6 are for purposes of illustration only and form no part of the claimed invention.

(56) **References Cited**

U.S. PATENT DOCUMENTS

- D327,907 S * 7/1992 Sawa D18/54
- D343,414 S * 1/1994 Tokuda et al. D18/55
- D378,300 S * 3/1997 Ito D18/55
- D402,688 S * 12/1998 Laidlaw D18/53
- D405,110 S * 2/1999 Yamamoto et al. D18/54

1 Claim, 6 Drawing Sheets



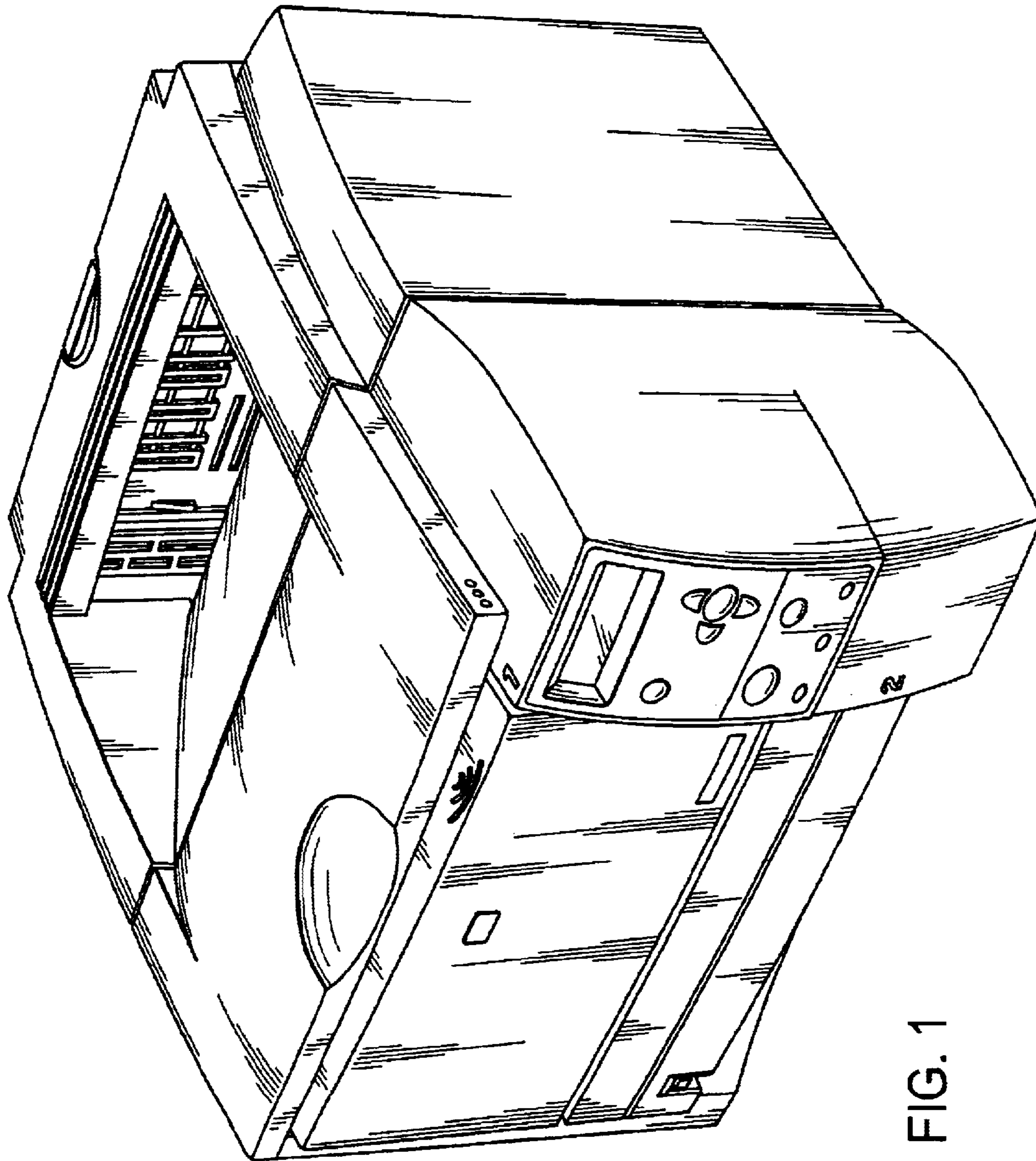


FIG. 1

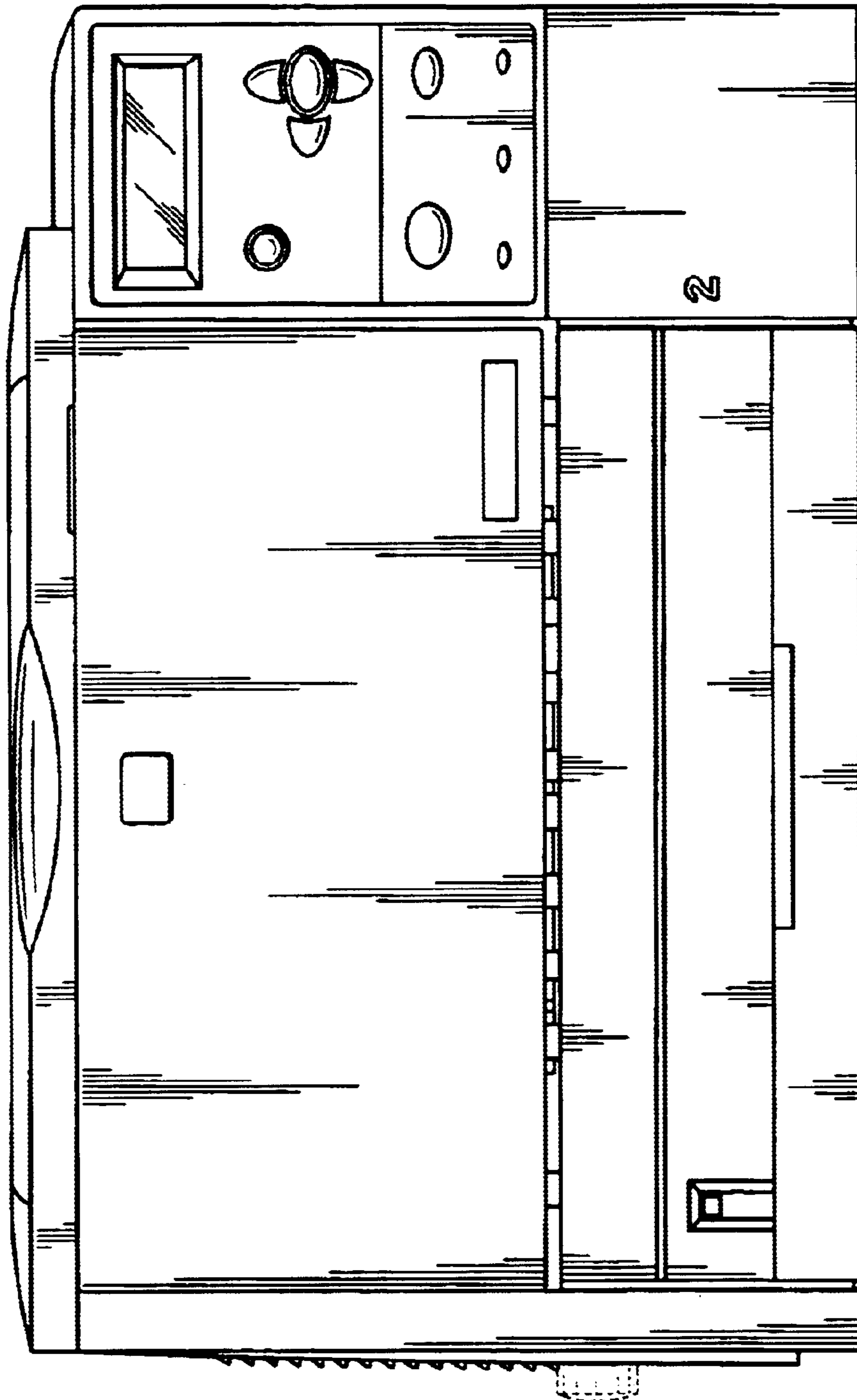


FIG. 2

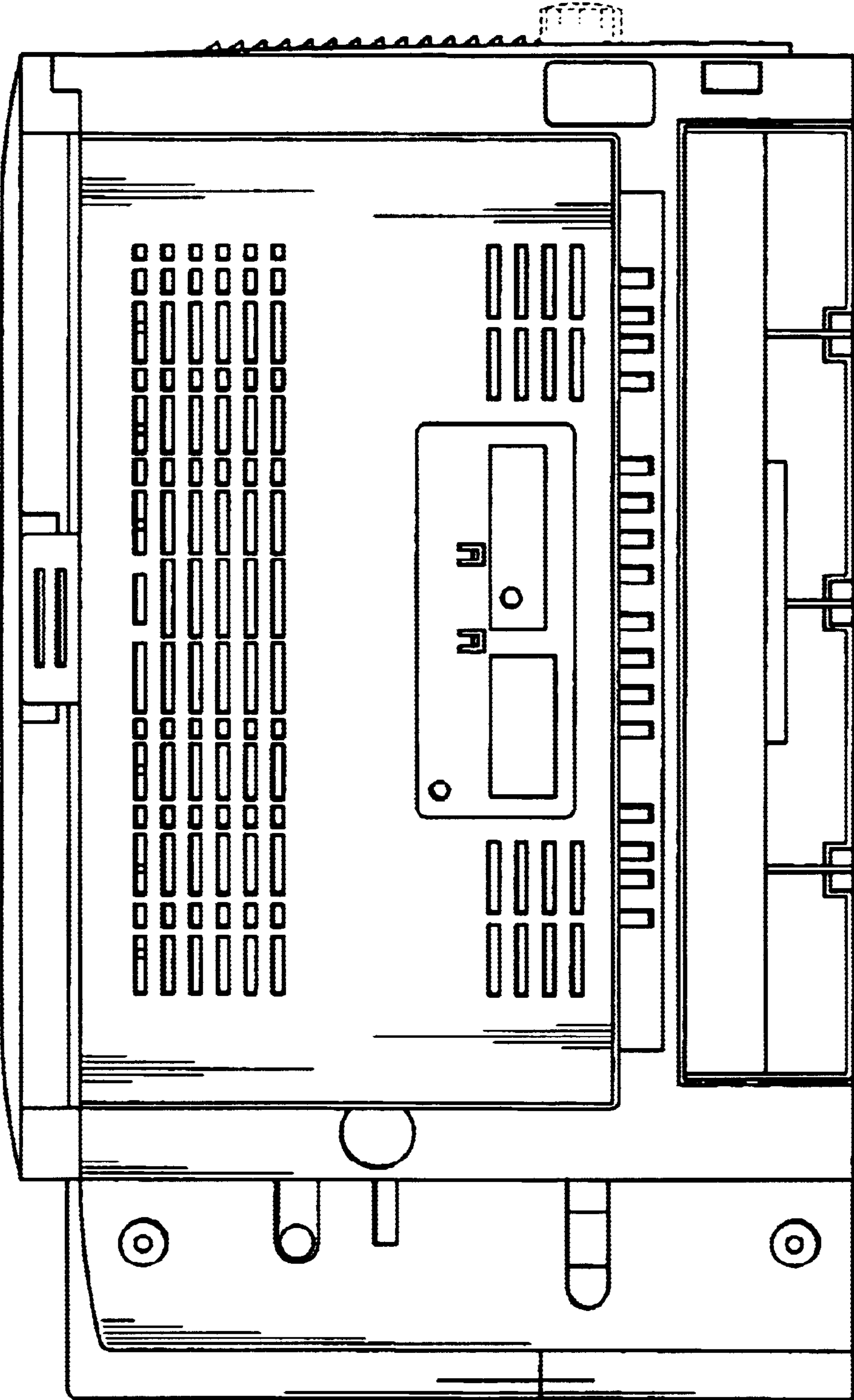


FIG. 3

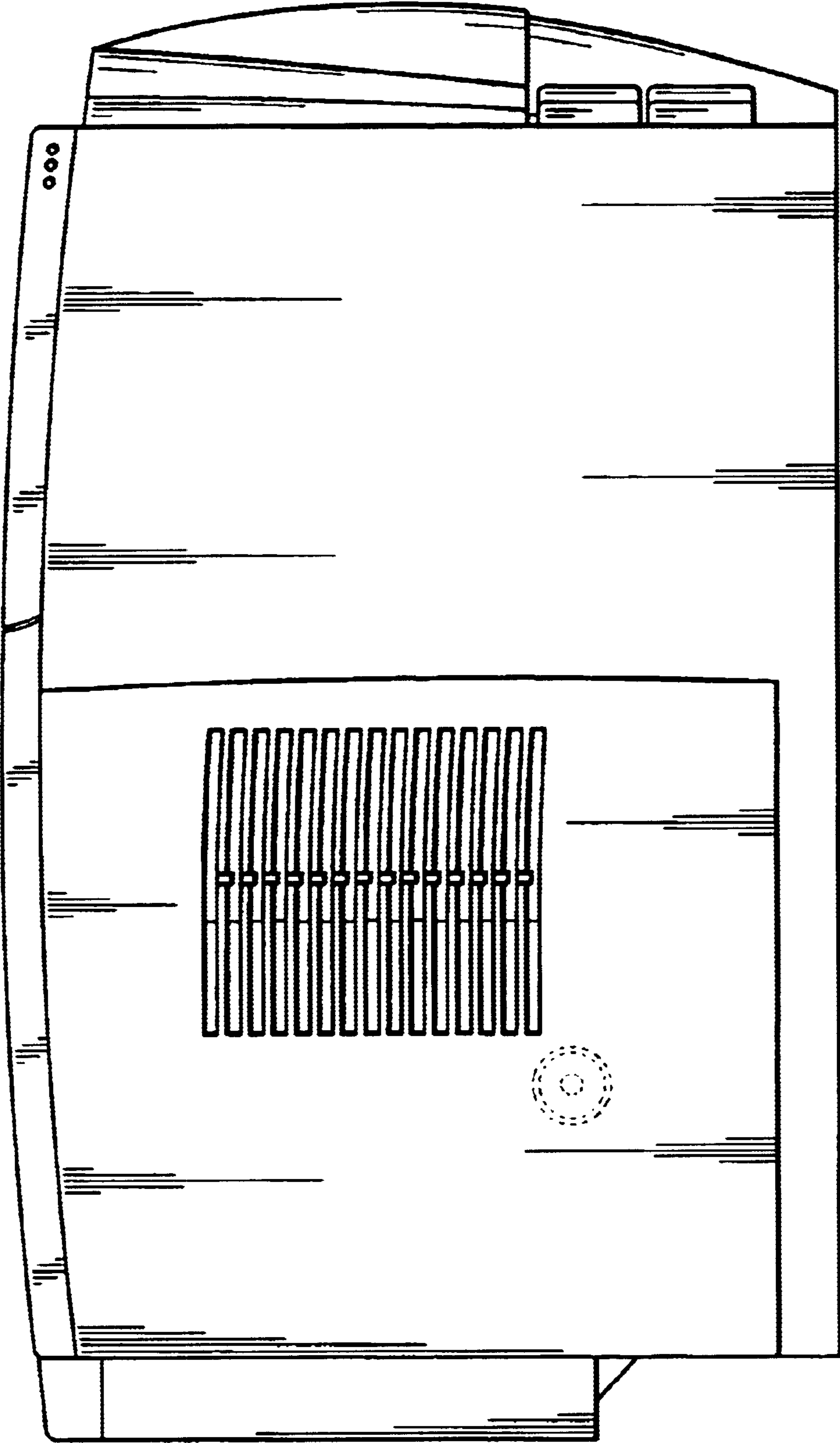


FIG. 4

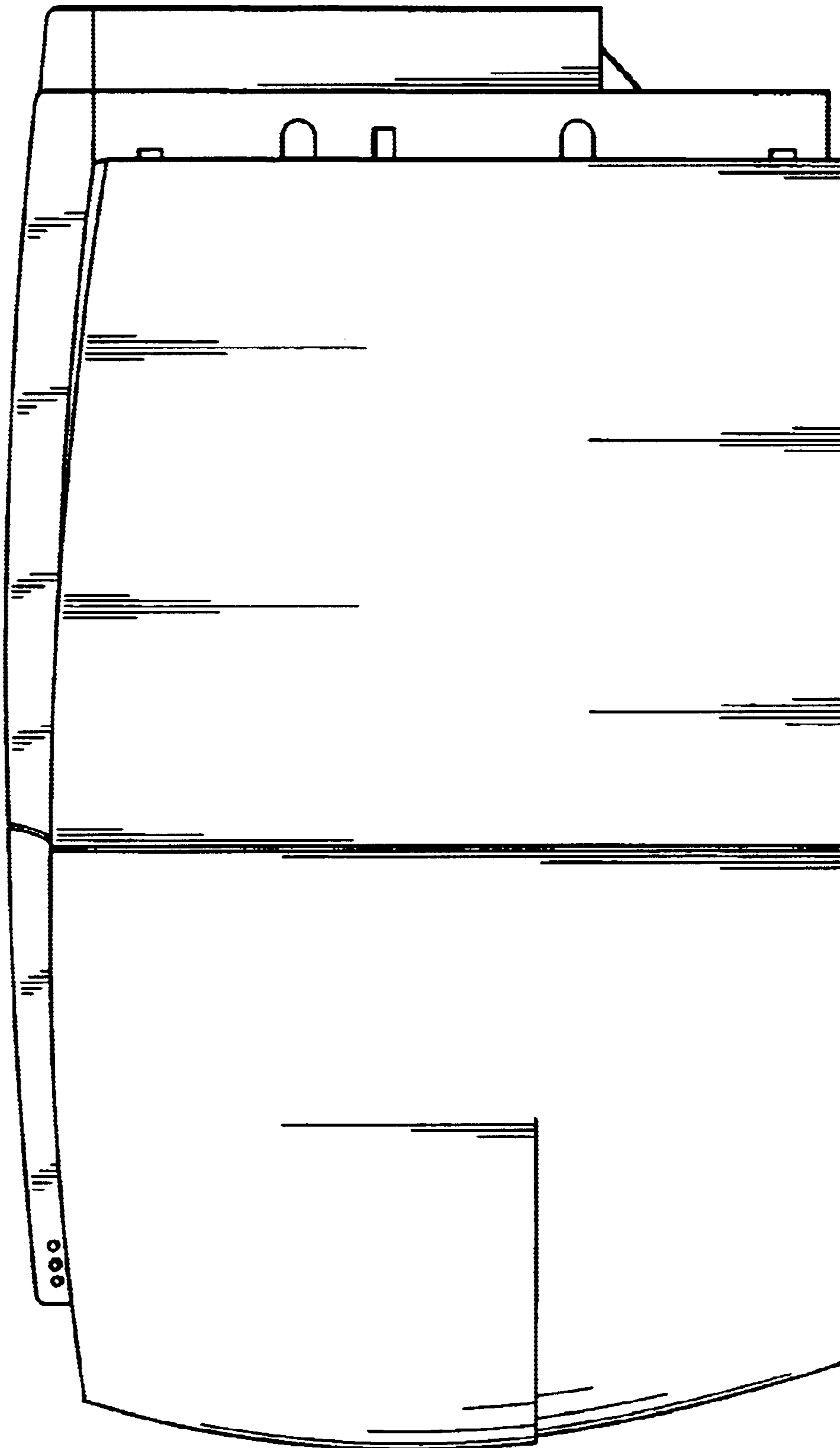


FIG. 5

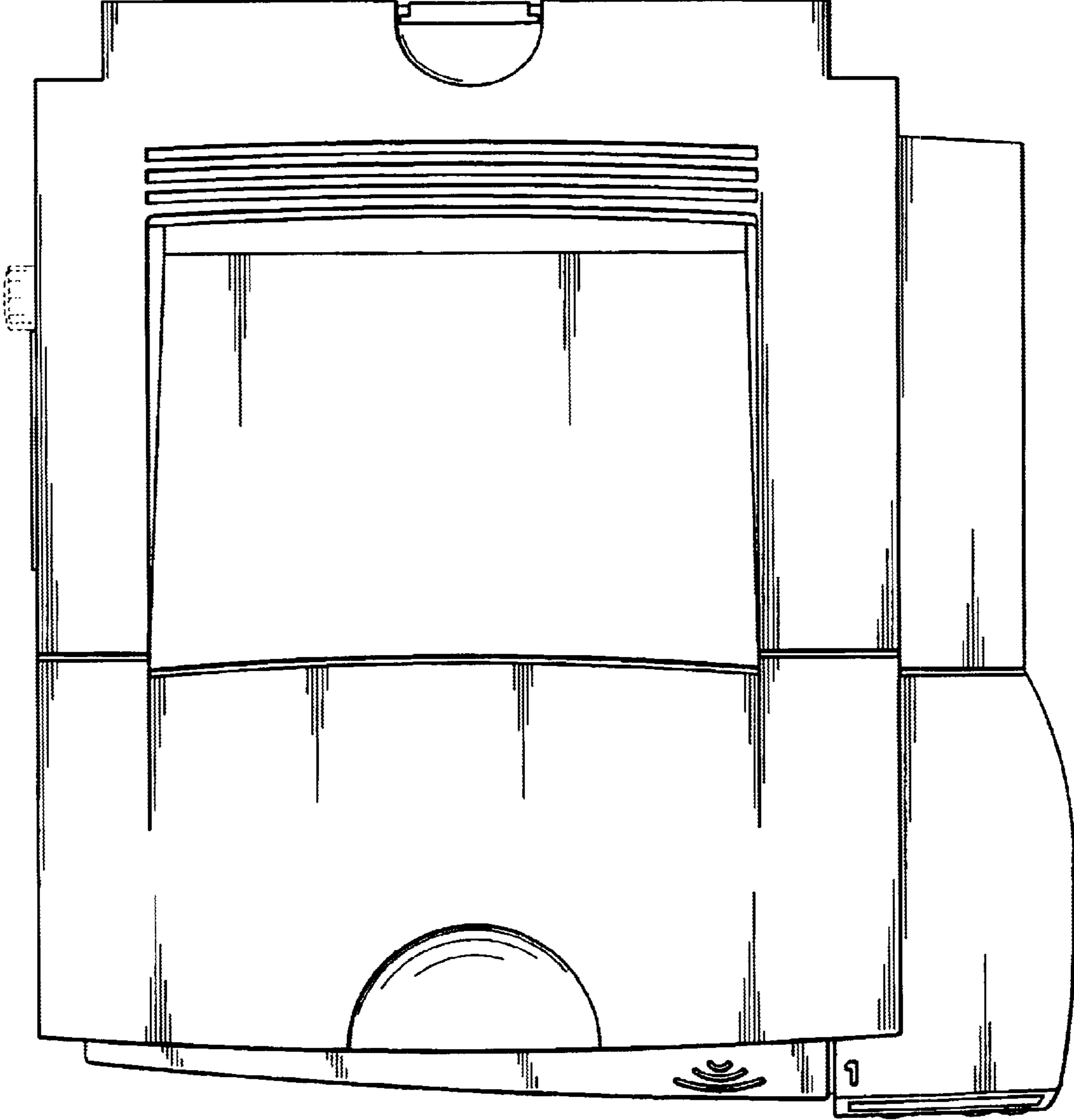


FIG. 6