

US00D491979S1

(12) **United States Design Patent**  
**Irie et al.**

(10) **Patent No.:** **US D491,979 S**  
(45) **Date of Patent:** **\*\* Jun. 22, 2004**

(54) **TONER CARTRIDGE**

(75) Inventors: **Norio Irie, Iwatsuki (JP); Takuji Matsumoto, Iwatsuki (JP)**

(73) Assignee: **Seiko Epson Corporation, Tokyo (JP)**

(\*\*) Term: **14 Years**

(21) Appl. No.: **29/189,488**

(22) Filed: **Sep. 8, 2003**

(30) **Foreign Application Priority Data**

Mar. 11, 2003 (JP) ..... 2003-006275

(51) **LOC (7) Cl.** ..... **16-03**

(52) **U.S. Cl.** ..... **D18/43**

(58) **Field of Search** ..... D18/40, 43, 56;  
222/DIG. 1; 399/24-30, 110-125, 252-262

(56) **References Cited**

**U.S. PATENT DOCUMENTS**

D389,860 S \* 1/1998 Nakajima et al. .... D18/43  
D398,634 S \* 9/1998 Katayama et al. .... D18/43

D408,845 S \* 4/1999 Harumoto ..... D18/43  
D448,795 S \* 10/2001 Kusanagi et al. .... D18/43  
D459,388 S \* 6/2002 Irie et al. .... D18/43  
D469,119 S \* 1/2003 Shiba ..... D18/43

\* cited by examiner

*Primary Examiner*—Caron D. Veynar

(74) *Attorney, Agent, or Firm*—Oliff & Berridge, PLC

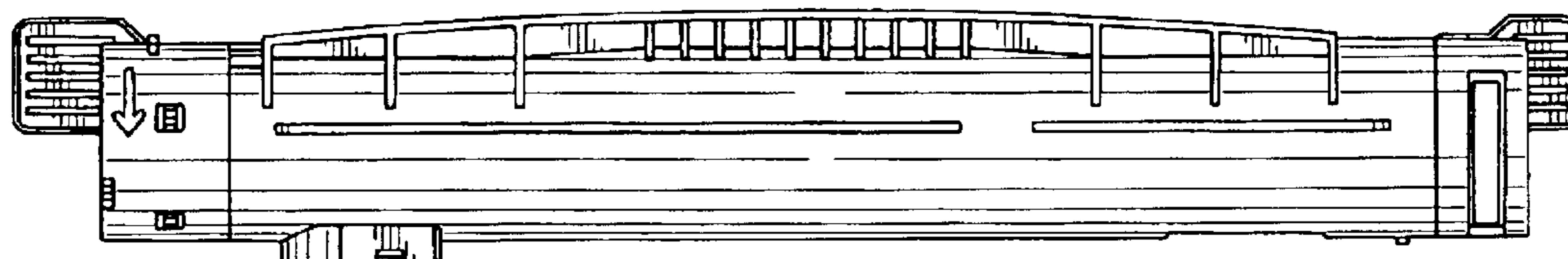
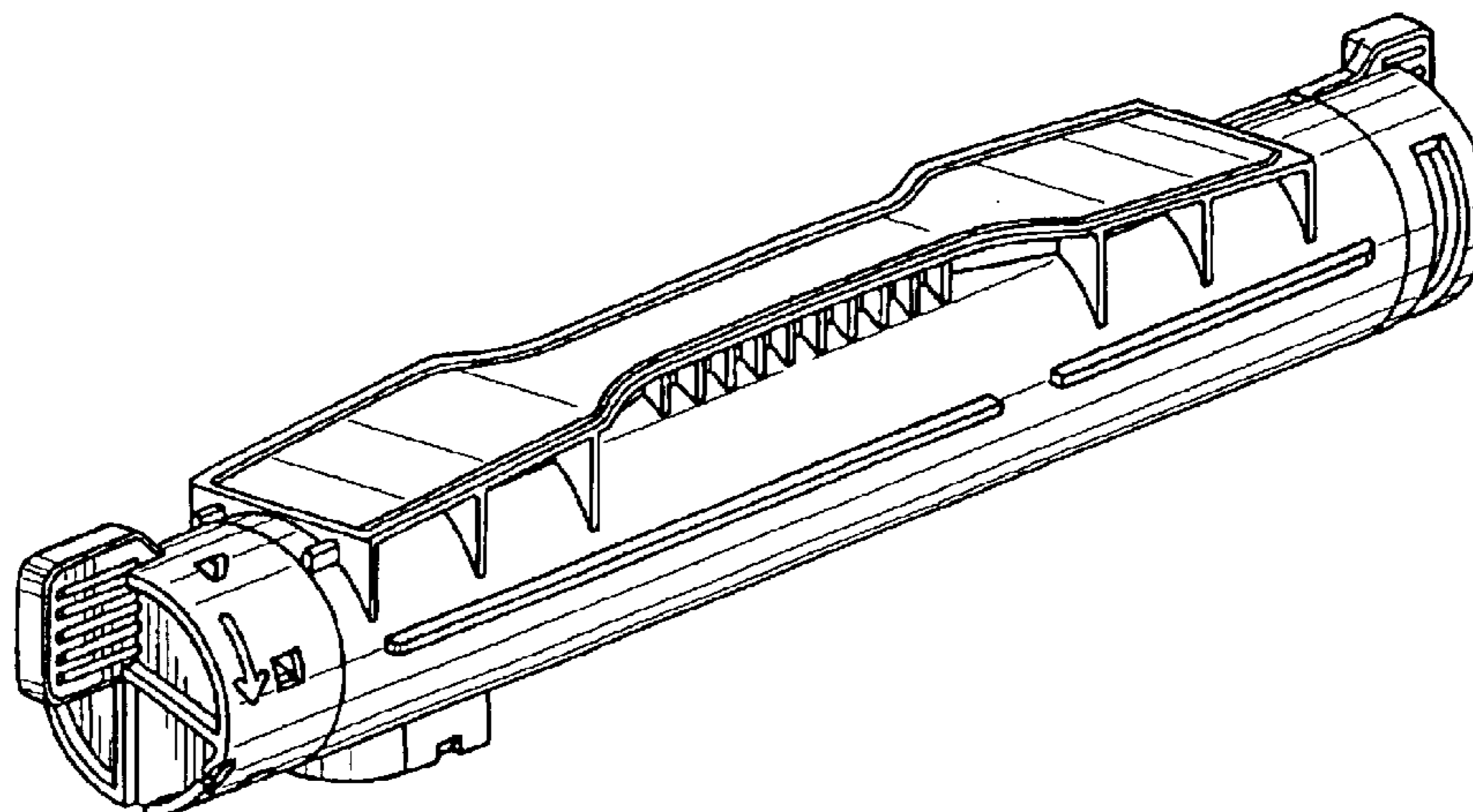
(57) **CLAIM**

The ornamental design for a toner cartridge, as shown and described.

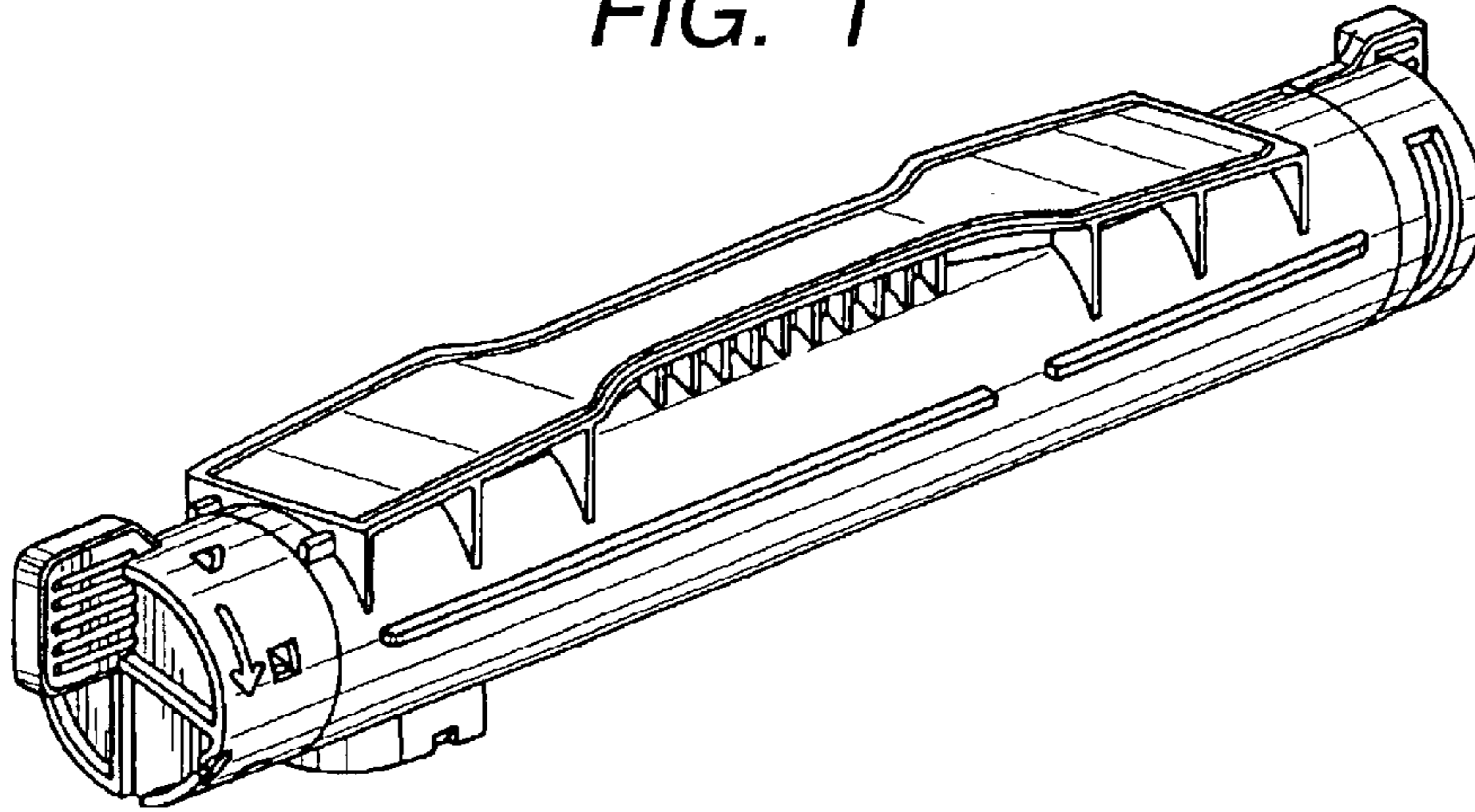
**DESCRIPTION**

FIG. 1 is a top, front and left side perspective view of a toner cartridge showing our new design; FIG. 2 is a front view thereof; FIG. 3 is a rear view thereof; FIG. 4 is a top plan view thereof; FIG. 5 is a bottom view thereof; FIG. 6 is a right side view thereof; and, FIG. 7 is a left side view thereof.

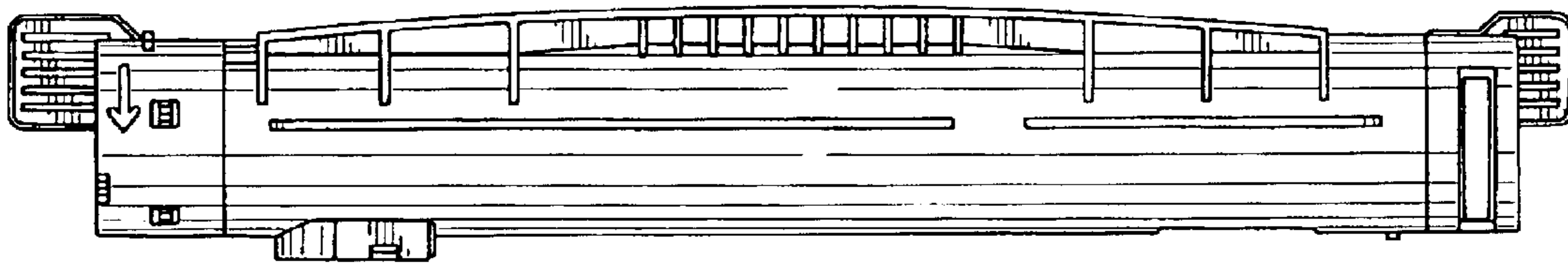
**1 Claim, 2 Drawing Sheets**



*FIG. 1*



*FIG. 2*



*FIG. 3*

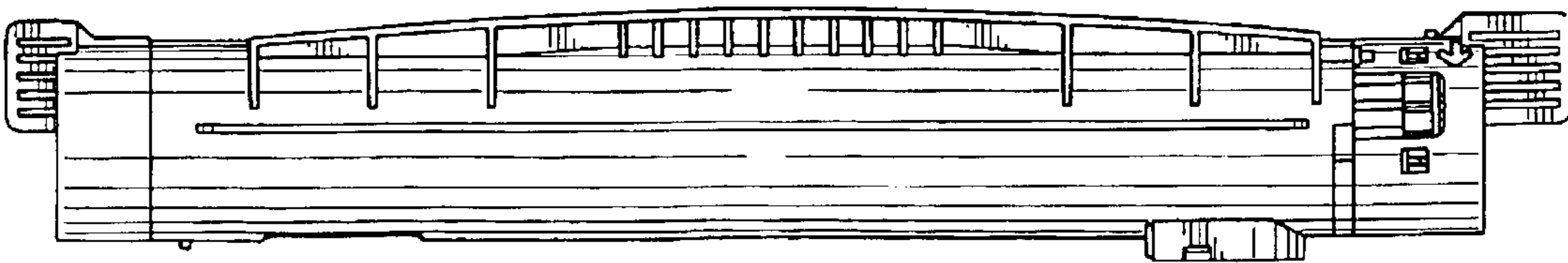


FIG. 4

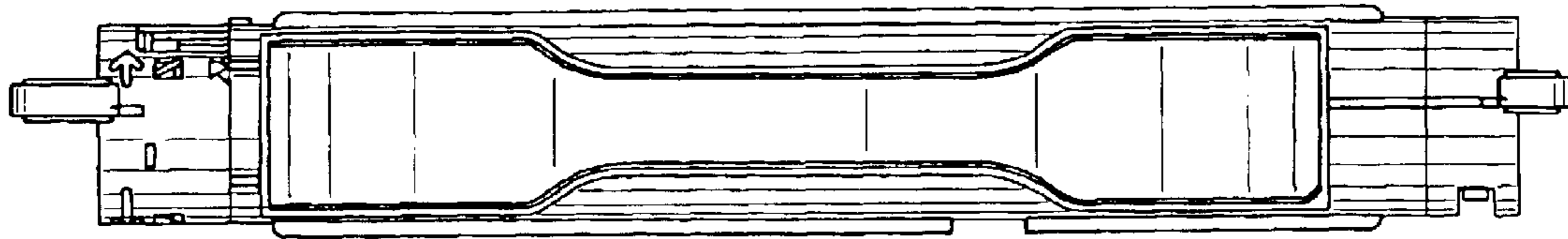


FIG. 5

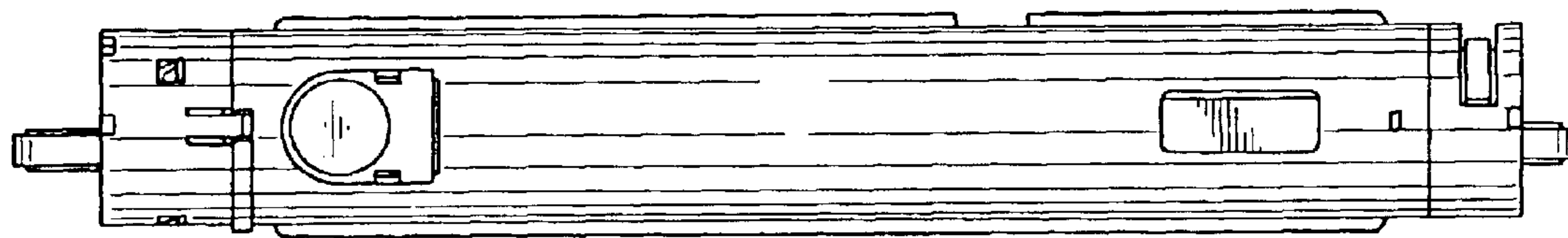


FIG. 6

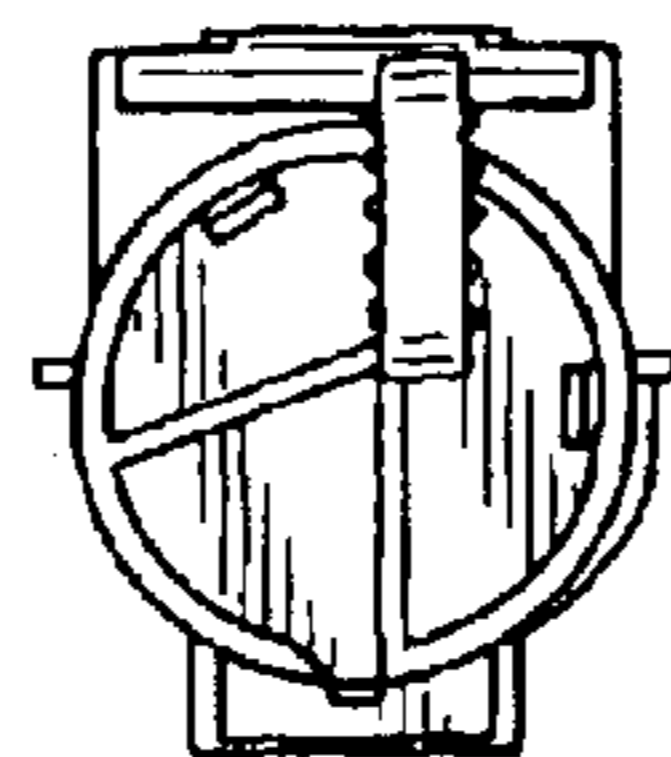


FIG. 7

