

US00D491978S1

(12) **United States Design Patent**  
**Isomura et al.**

(10) **Patent No.:** **US D491,978 S**  
(45) **Date of Patent:** **\*\* Jun. 22, 2004**

(54) **TONER SUPPLYING CARTRIDGE**

(75) Inventors: **Tetsuo Isomura, Abiko (JP); Tetsuro Aways, Tokyo (JP)**

(73) Assignee: **Canon Kabushiki Kaisha, Tokyo (JP)**

(\*\*) Term: **14 Years**

(21) Appl. No.: **29/188,289**

(22) Filed: **Aug. 18, 2003**

(30) **Foreign Application Priority Data**

Feb. 24, 2003 (JP) ..... 2003-004404

(51) **LOC (7) Cl.** ..... **16-03**

(52) **U.S. Cl.** ..... **D18/43**

(58) **Field of Search** ..... D18/40, 43, 56;  
347/49, 86, 87, 101, 214; 399/110, 111,  
114, 119, 120, 259, 262

(56) **References Cited**

**U.S. PATENT DOCUMENTS**

D363,305 S \* 10/1995 Nishioka et al. .... D18/43  
D389,860 S \* 1/1998 Nakajima et al. .... D18/43  
D398,634 S \* 9/1998 Katayama et al. .... D18/43

D408,845 S \* 4/1999 Harumoto ..... D18/43  
D448,795 S \* 10/2001 Kusanagi et al. .... D18/43  
6,324,371 B1 \* 11/2001 Okiyama et al. .... 399/262  
D451,537 S \* 12/2001 Ozawa et al. .... D18/40  
D469,119 S \* 1/2003 Shiba ..... D18/43

\* cited by examiner

*Primary Examiner*—Caron D. Veynar

(74) *Attorney, Agent, or Firm*—Fitzpatrick, Cella, Harper & Scinto

(57) **CLAIM**

The ornamental design for a toner supplying cartridge, as shown and described.

**DESCRIPTION**

FIG. 1 is a front view of a toner supplying cartridge showing our new design;  
FIG. 2 is a rear view thereof;  
FIG. 3 is a top plan view thereof;  
FIG. 4 is a bottom plan view thereof;  
FIG. 5 is a left side view thereof;  
FIG. 6 is a right side view thereof; and,  
FIG. 7 is a perspective view thereof.

**1 Claim, 4 Drawing Sheets**

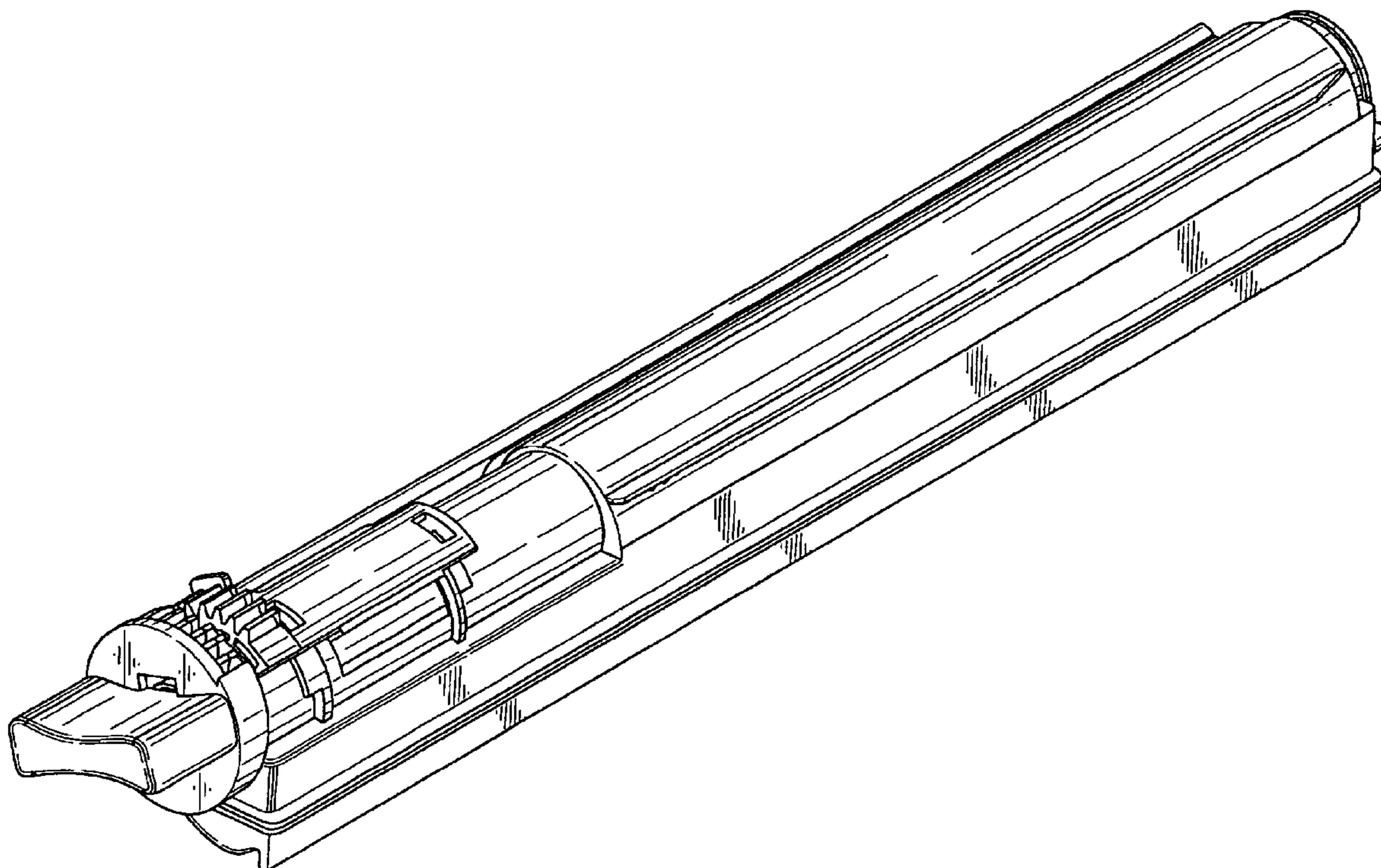


FIG. 1

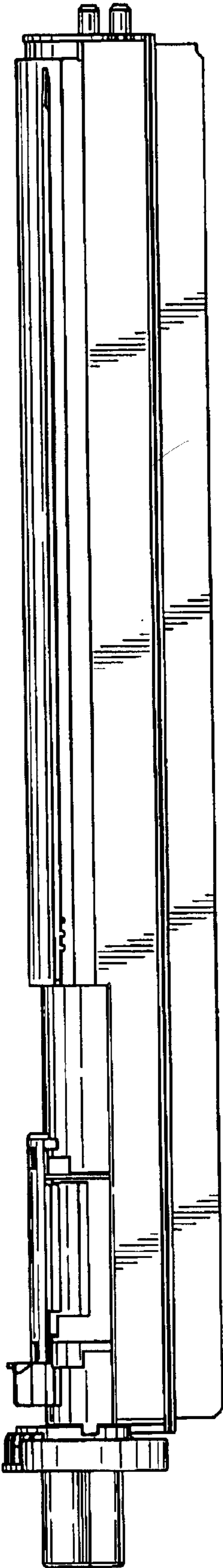


FIG. 2

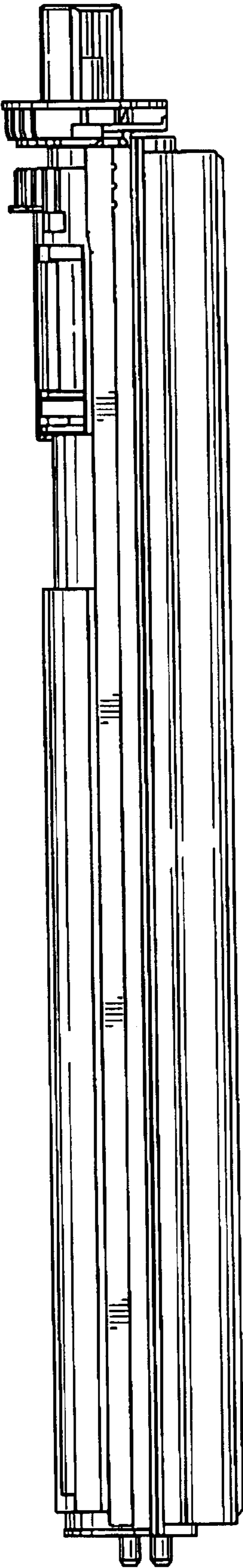
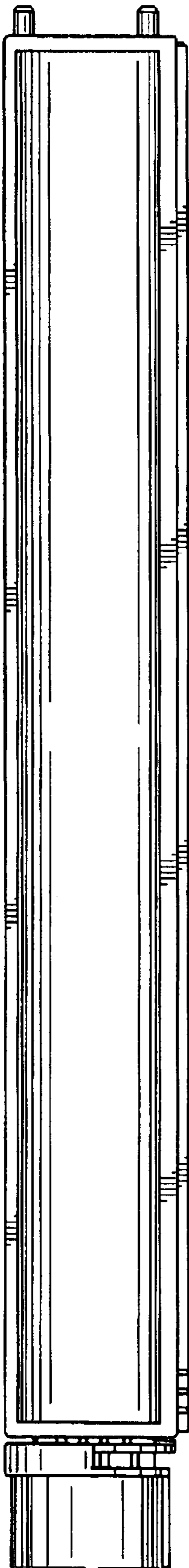


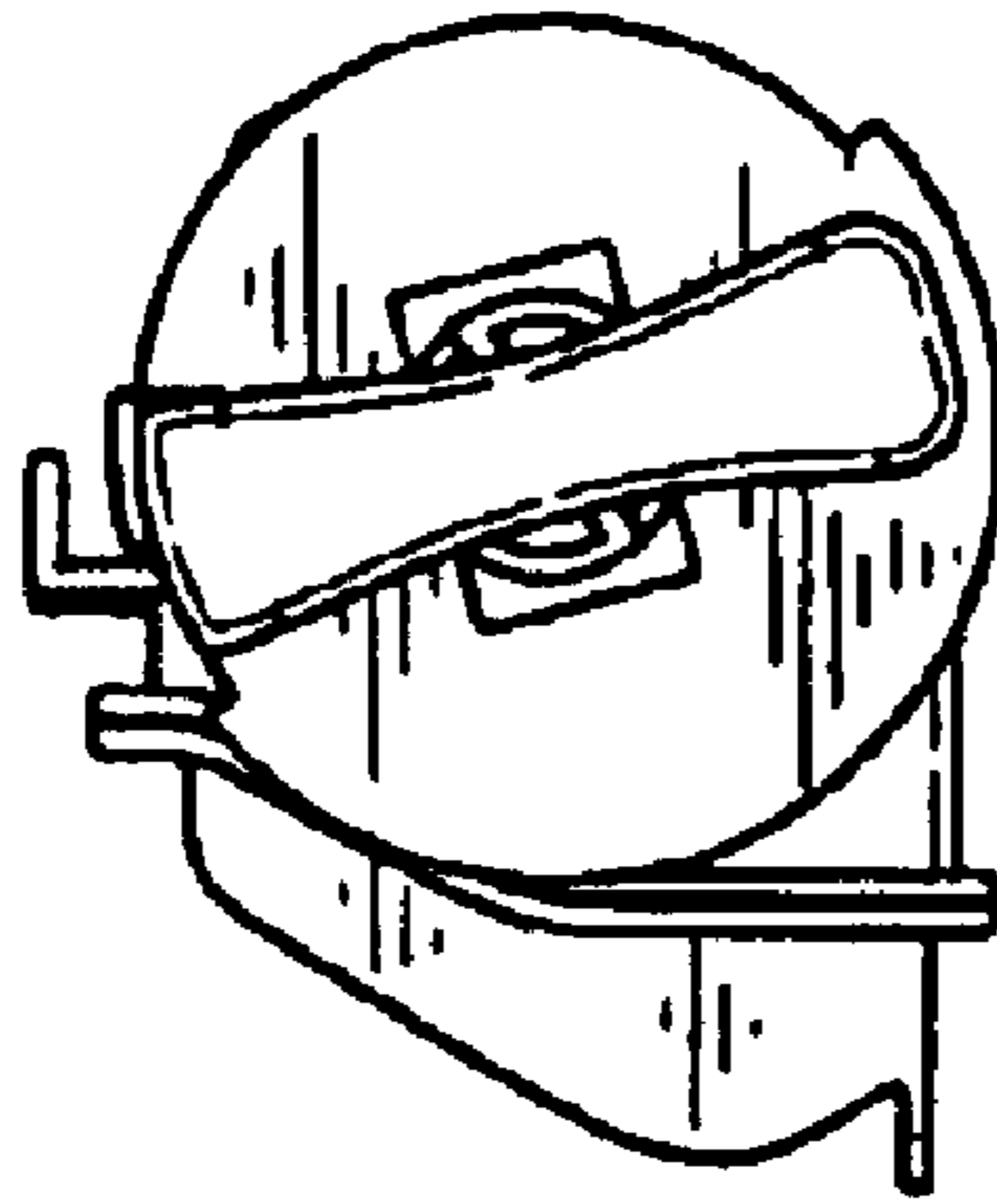
FIG. 3



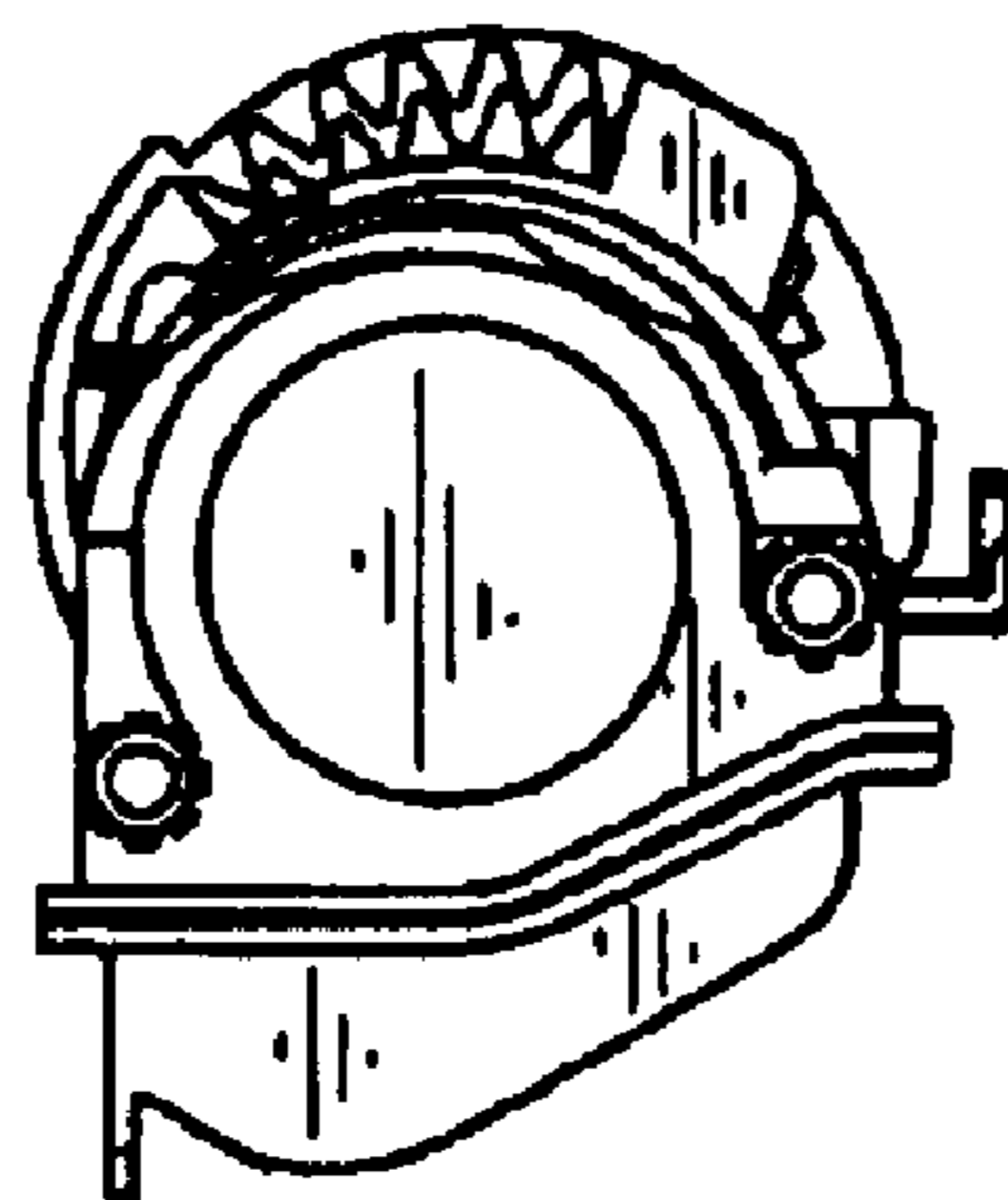
FIG. 4



*FIG. 5*



*FIG. 6*





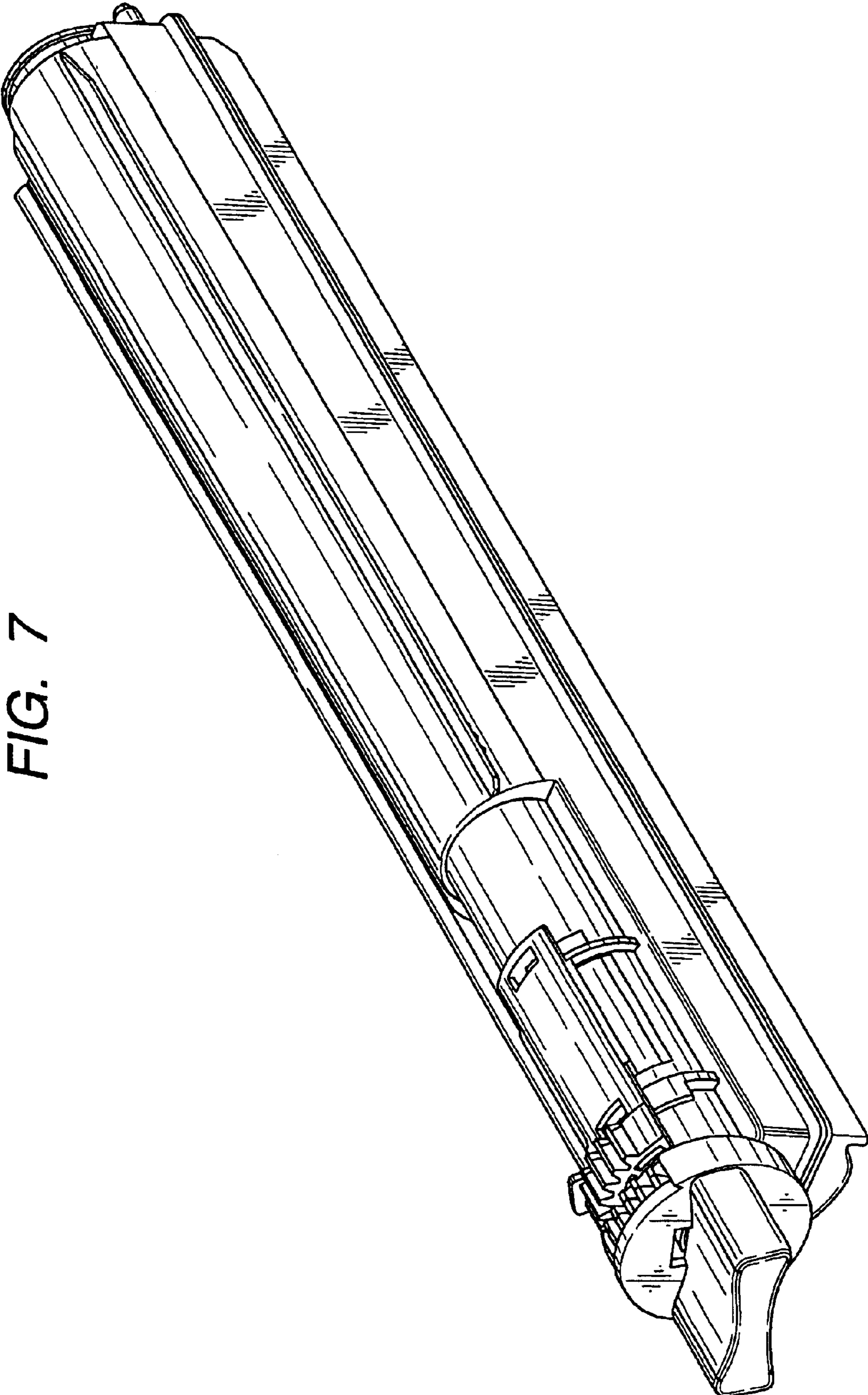


FIG. 7