



US00D491972S1

(12) **United States Design Patent**
Heath

(10) **Patent No.:** **US D491,972 S**
(45) **Date of Patent:** **** Jun. 22, 2004**

(54) **ROOM PROJECTOR**

(75) **Inventor:** **Stephen Robert Heath**, Eindhoven
(NL)

(73) **Assignee:** **Koninklijke Philips Electronics N.V.**,
Eindhoven (NL)

(**) **Term:** **14 Years**

(21) **Appl. No.:** **29/190,546**

(22) **Filed:** **Sep. 23, 2003**

(30) **Foreign Application Priority Data**

Jan. 4, 2003 (EM) 000009329-00001

(51) **LOC (7) Cl.** **16-02**

(52) **U.S. Cl.** **D16/225; D16/227**

(58) **Field of Search** **D16/205, 208,**
D16/221, 225, 227; D21/514; 40/361-367;
353/115, 119, 122; 359/803, 804

(56) **References Cited**

U.S. PATENT DOCUMENTS

D149,554 S * 5/1948 Halbritter D16/227

2,630,642 A * 3/1953 Mast et al. 40/363
D179,803 S * 3/1957 Gillette D16/202
D240,460 S * 7/1976 Simonelli D16/225
D395,056 S * 6/1998 Delaey D16/203
D471,223 S * 3/2003 Whitney D16/225
D485,853 S * 1/2004 Daniels D16/203

* cited by examiner

Primary Examiner—Adir Aronovich

(74) *Attorney, Agent, or Firm*—Ernestine C. Bartlett

(57) **CLAIM**

The ornamental design for a room projector, as shown.

DESCRIPTION

FIG. 1 is a perspective view of a room projector showing my new design;

FIG. 2 is a front elevational view thereof;

FIG. 3 is a rear elevational view thereof;

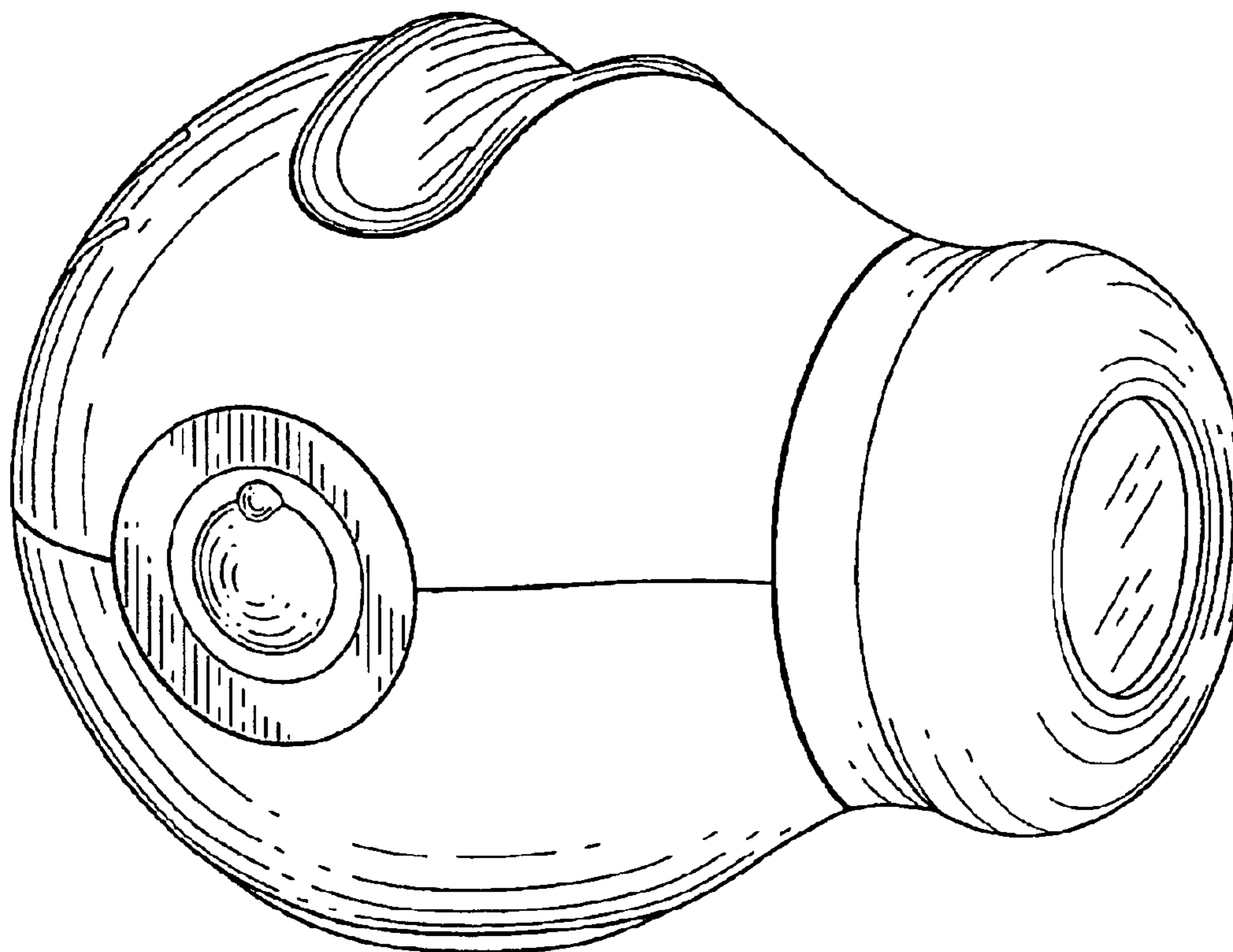
FIG. 4 is a right side elevational view thereof;

FIG. 5 is a left side elevational view thereof;

FIG. 6 is a top plan view thereof; and,

FIG. 7 is a bottom plan view thereof.

1 Claim, 4 Drawing Sheets



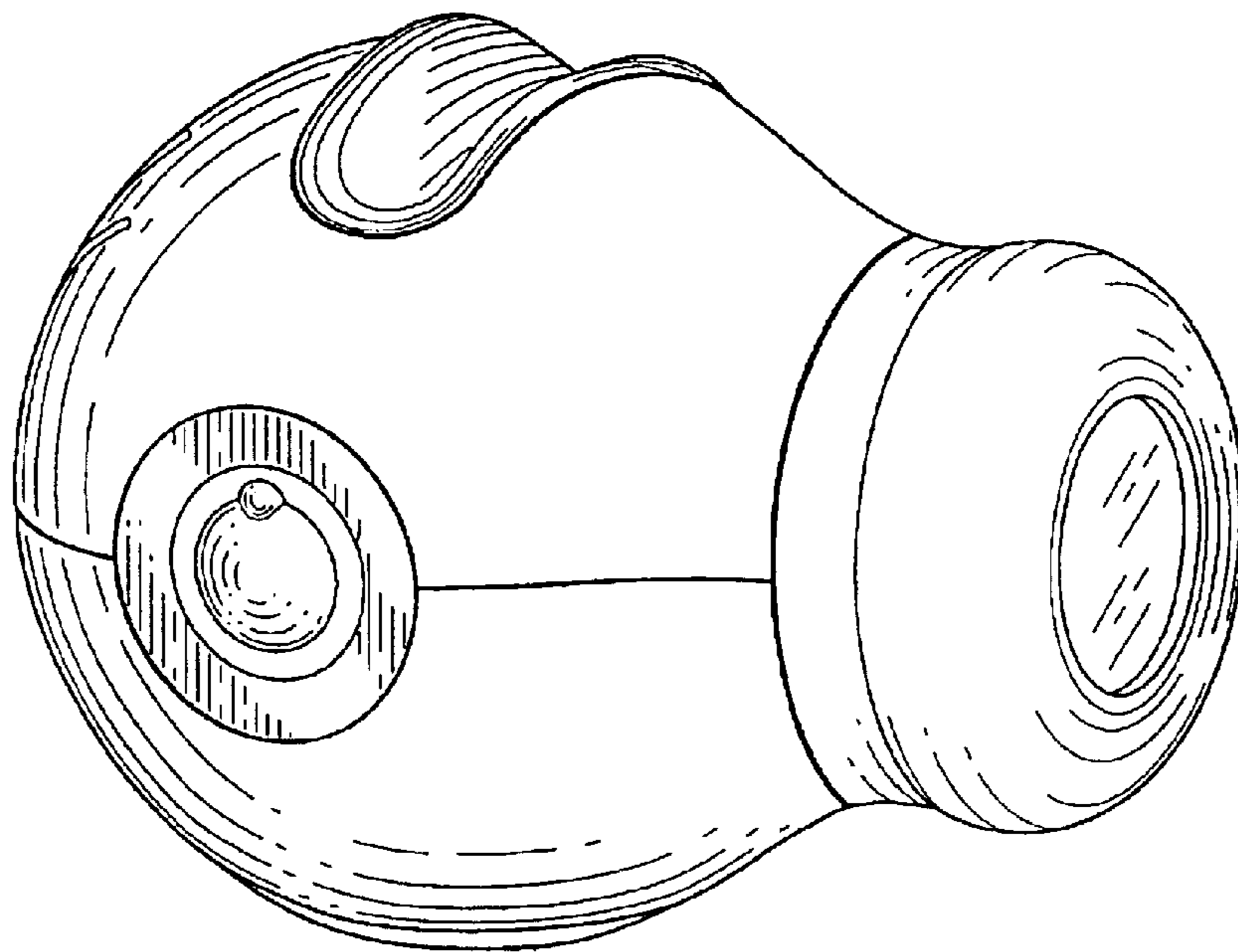


FIG. 1

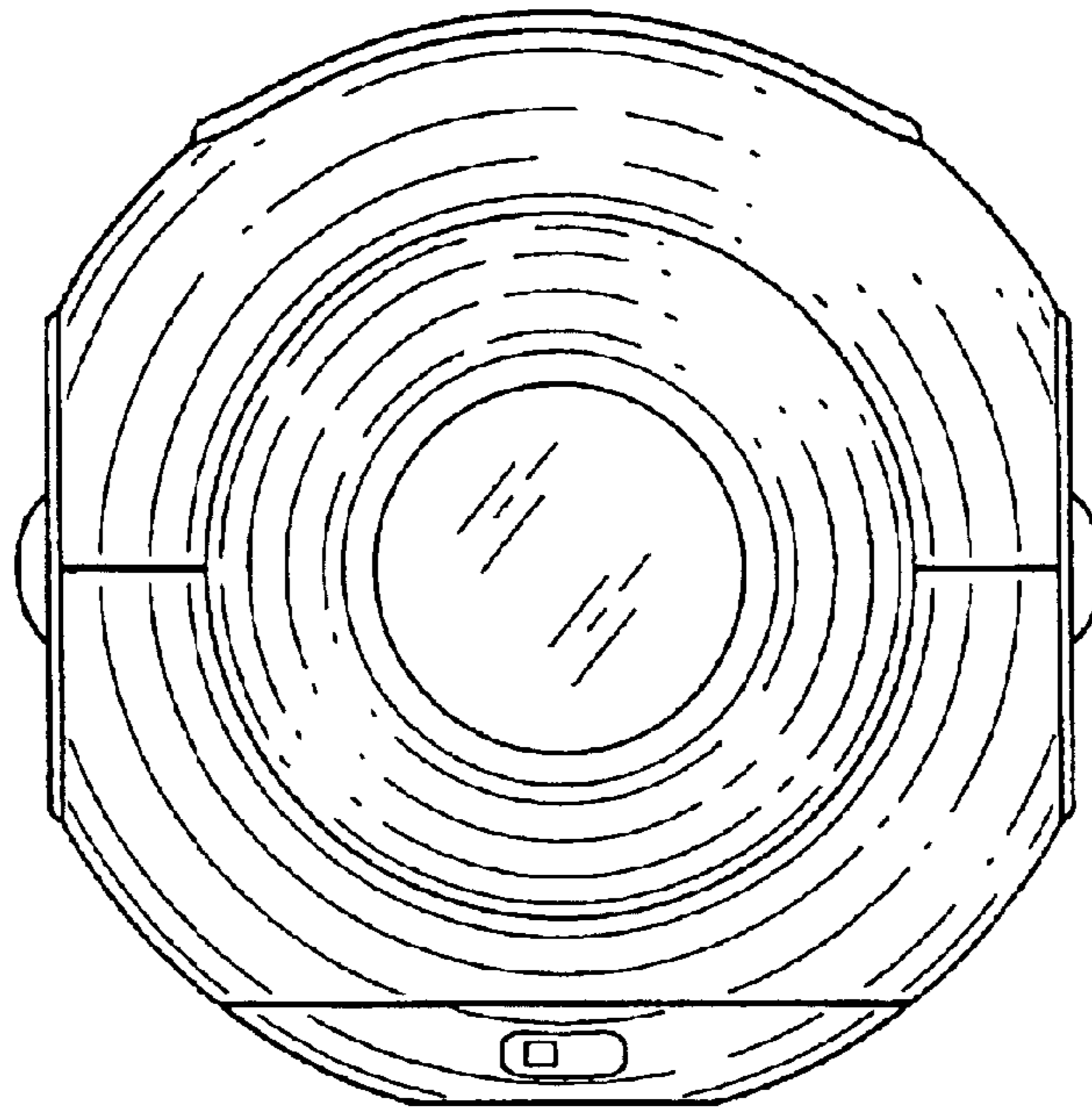


FIG. 2

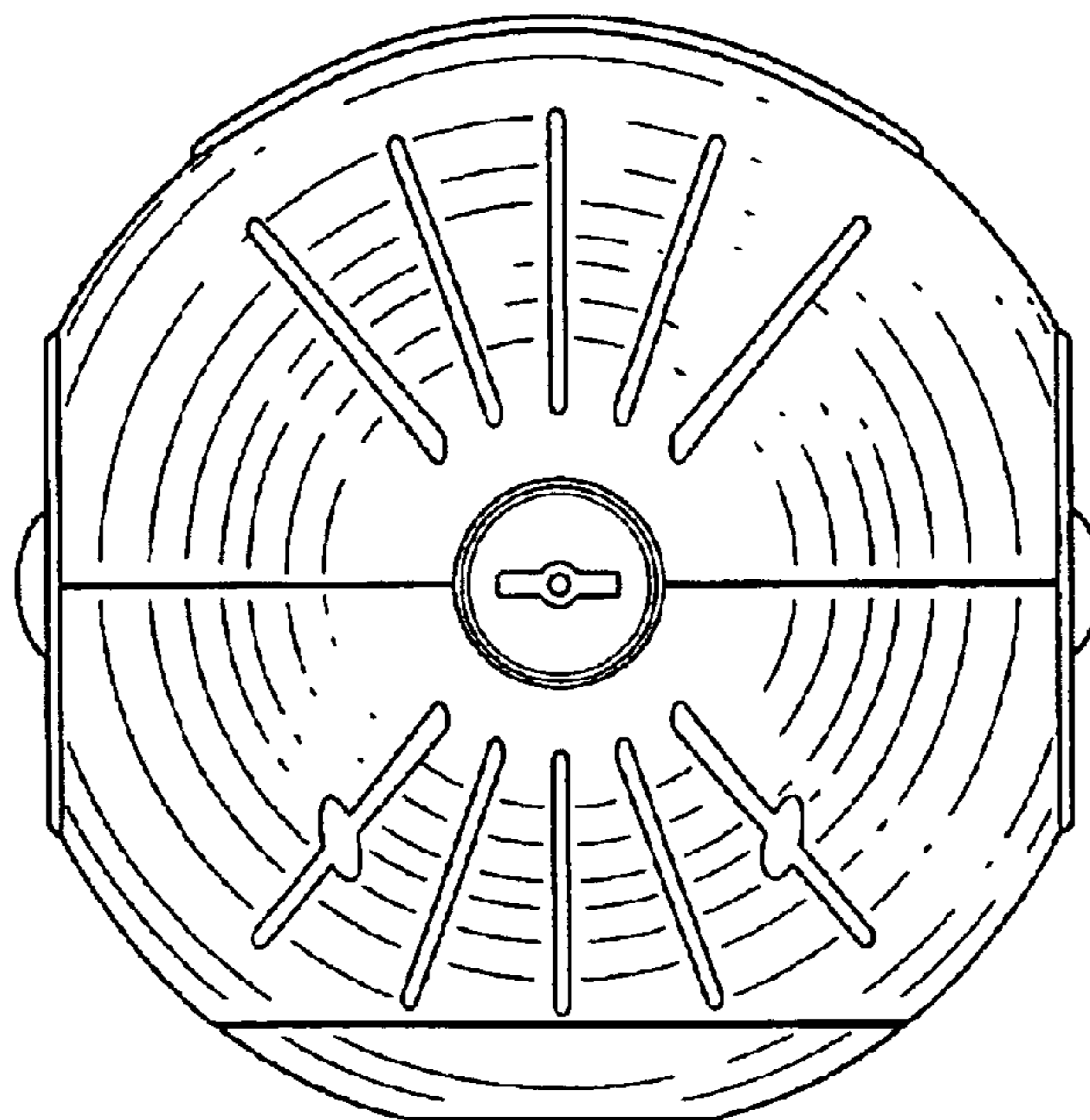


FIG. 3

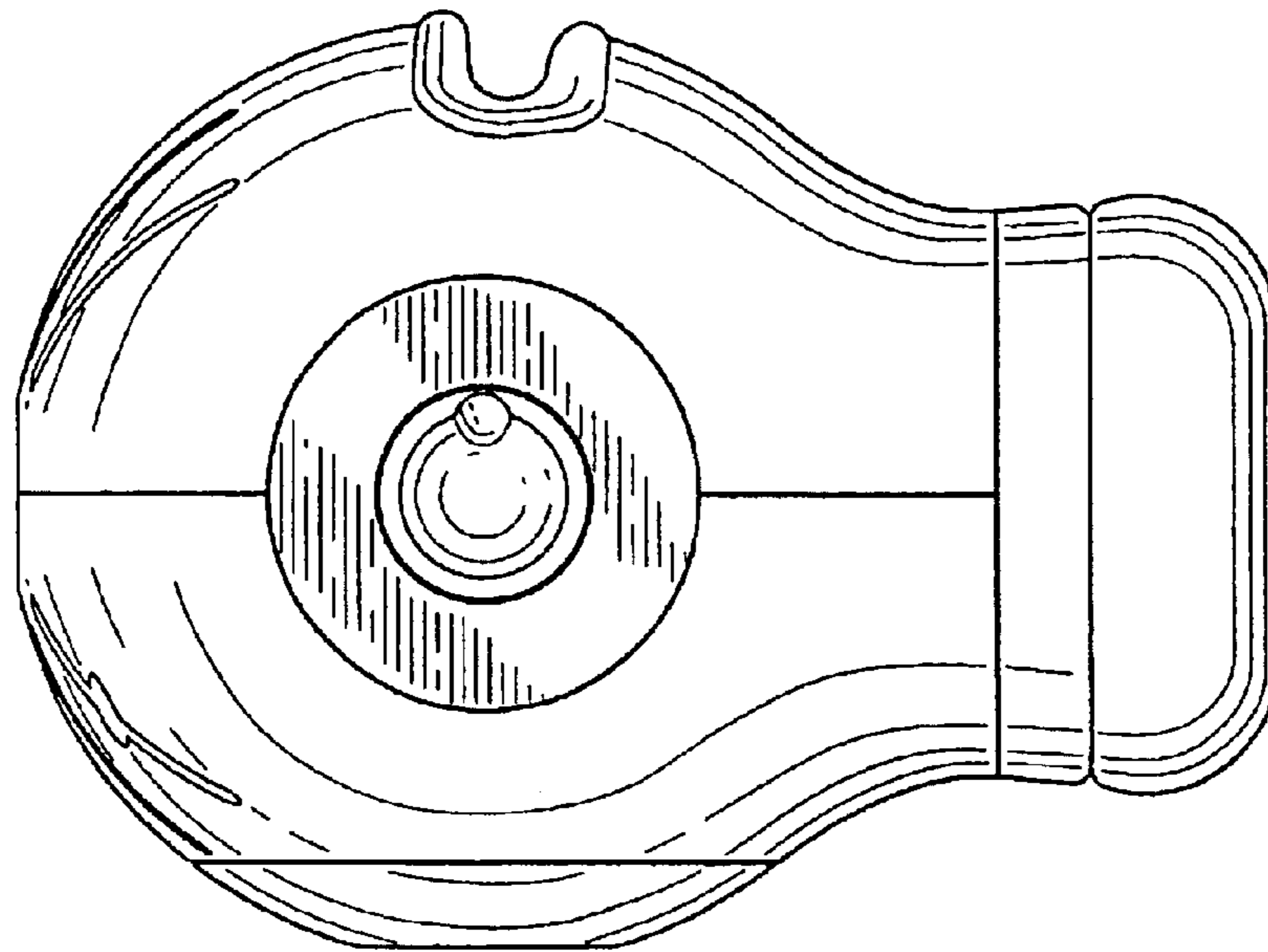


FIG. 4

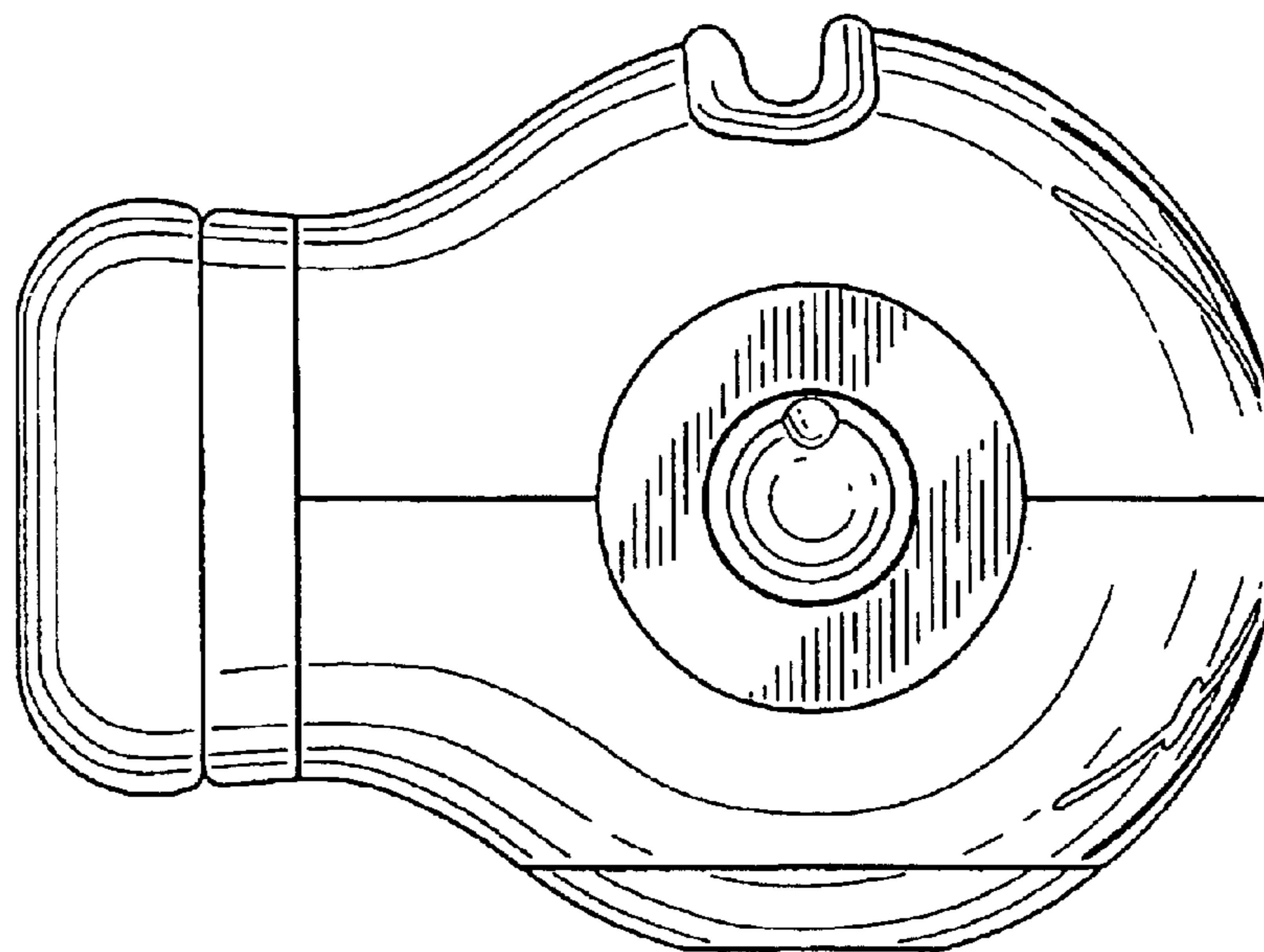


FIG. 5

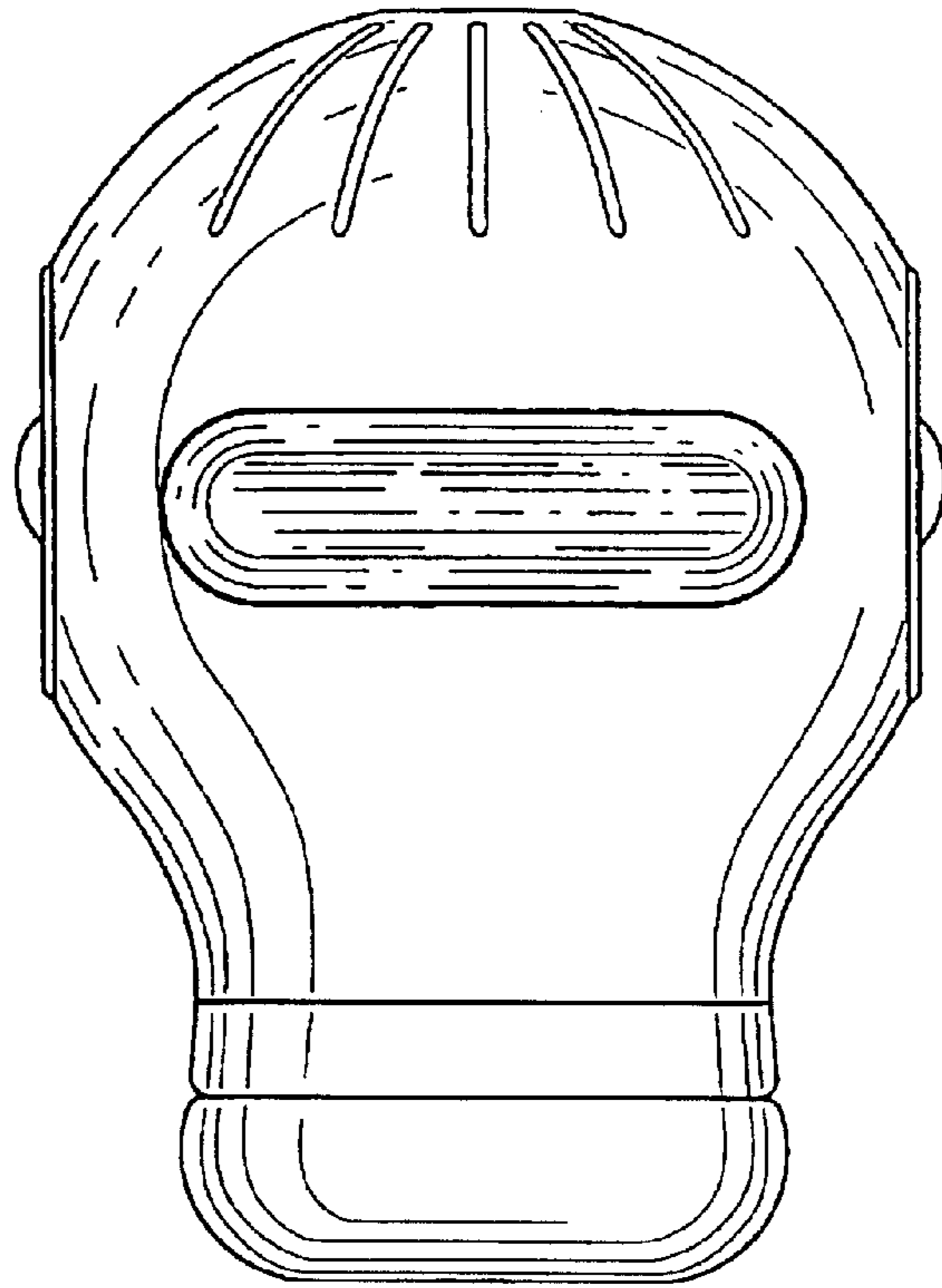


FIG. 6

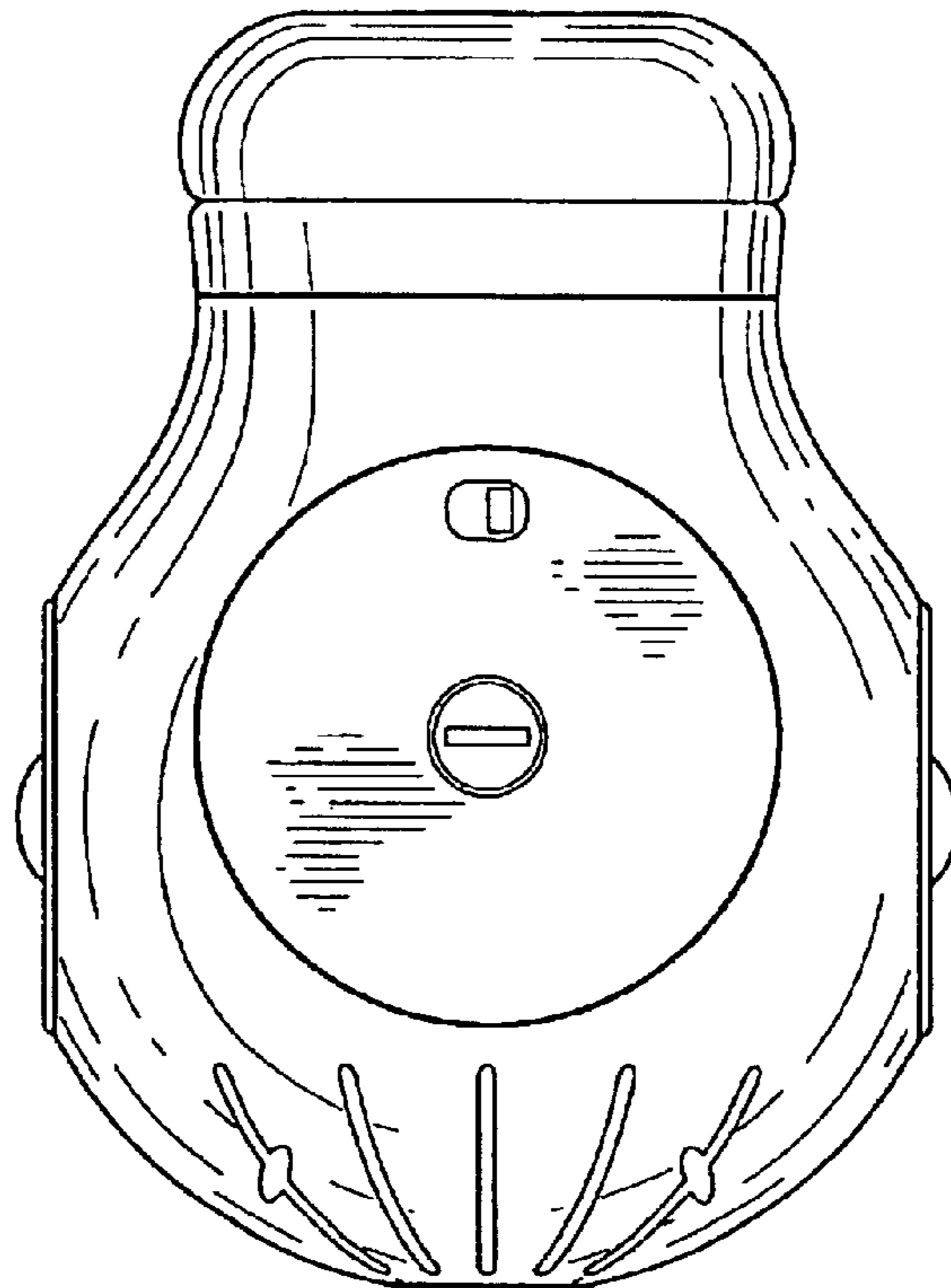


FIG. 7