



US00D491971S1

(12) **United States Design Patent**
Oross et al.

(10) **Patent No.:** **US D491,971 S**
(45) **Date of Patent:** **** Jun. 22, 2004**

(54) **PROJECTOR**

(75) Inventors: **Glen Oross**, Corvallis, OR (US); **Peter On**, Corvallis, OR (US)

(73) Assignee: **Hewlett-Packard Development Company, L.P.**, Houston, TX (US)

(**) Term: **14 Years**

(21) Appl. No.: **29/189,381**

(22) Filed: **Sep. 3, 2003**

(51) **LOC (7) Cl.** **16-02**

(52) **U.S. Cl.** **D16/225**

(58) **Field of Search** D16/205, 208,
D16/213, 221, 225, 230, 231, 234; D21/514;
352/242, 243; 353/115, 119, 122

(56) **References Cited**

U.S. PATENT DOCUMENTS

4,721,380 A	1/1988	Gryglas	353/66
5,343,262 A	8/1994	Park	353/119
5,416,541 A	5/1995	Fog	353/119
D368,730 S	* 4/1996	Ronzani et al.	D16/225
D375,296 S	* 11/1996	Kondo	D16/225
5,663,762 A	* 9/1997	Nishiyama	353/119
5,868,484 A	2/1999	Chikauchi et al.	353/119
D433,048 S	* 10/2000	Ikenaga et al.	D16/231

D474,798 S * 5/2003 Ohshima et al. D16/225
6,604,831 B1 * 8/2003 Prestigomo et al. 353/119

* cited by examiner

Primary Examiner—Adir Aronovich

(57) **CLAIM**

The ornamental design for a projector, as shown and described.

DESCRIPTION

FIG. 1 is an isometric view of a projector according to the invention;

FIG. 2 is a side view of the projector of FIG. 1;

FIG. 3 is a front view of the projector of FIG. 1;

FIG. 4 is a back view of the projector of FIG. 1;

FIG. 5 is a top view of the projector of FIG. 1;

FIG. 6 is an isometric view of the projector of FIG. 1, with the side plates being in an alternate position;

FIG. 7 is a side view of the projector, with the side plates being in a position shown in FIG. 6;

FIG. 8 is a front view of the projector, with the side plates being in a position shown in FIG. 6;

FIG. 9 is a back view of the projector, with the side plates being in a position shown in FIG. 6; and,

FIG. 10 is a top view of the projector, with the side plates being in a position shown in FIG. 6.

1 Claim, 7 Drawing Sheets

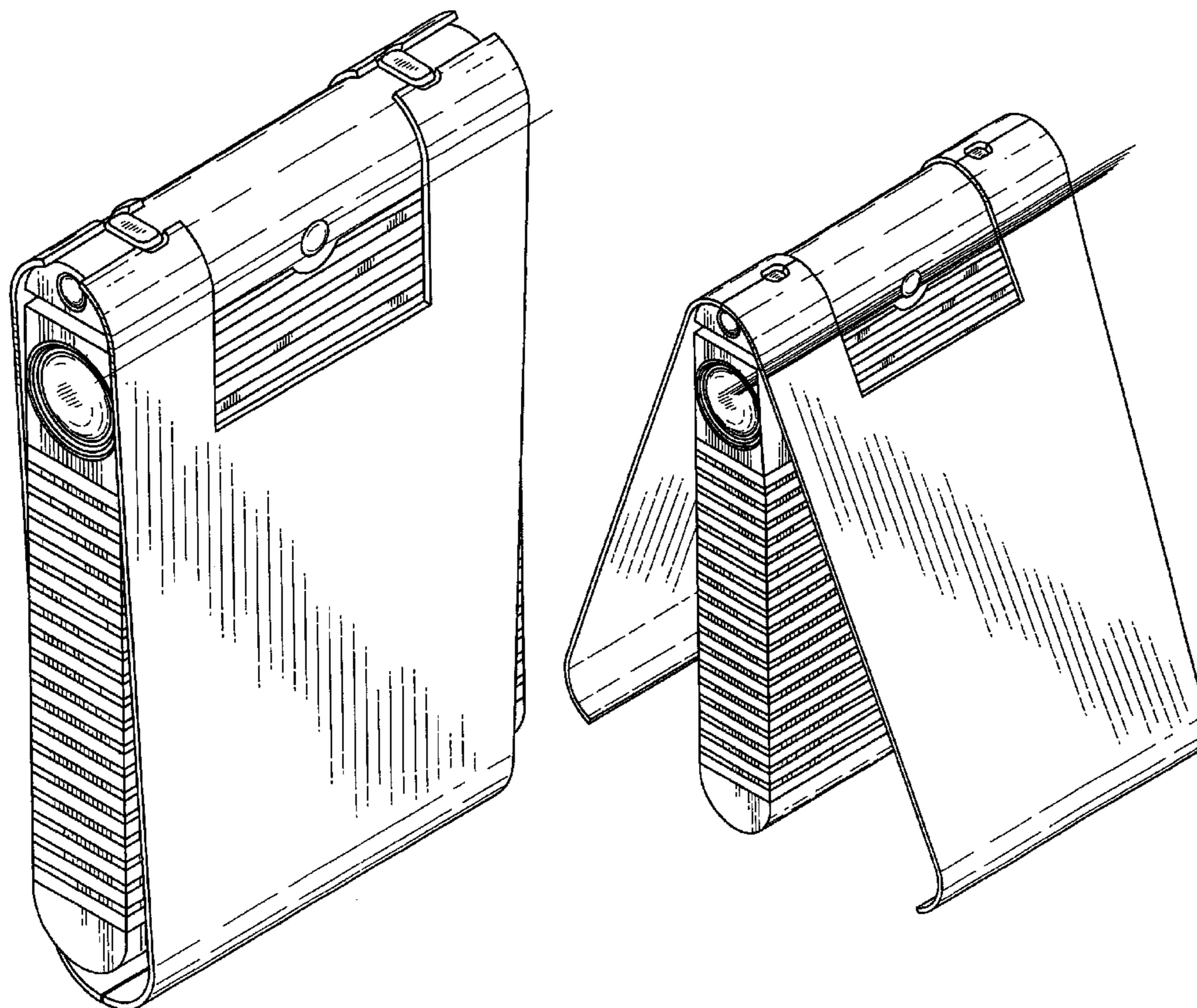


Fig. 1

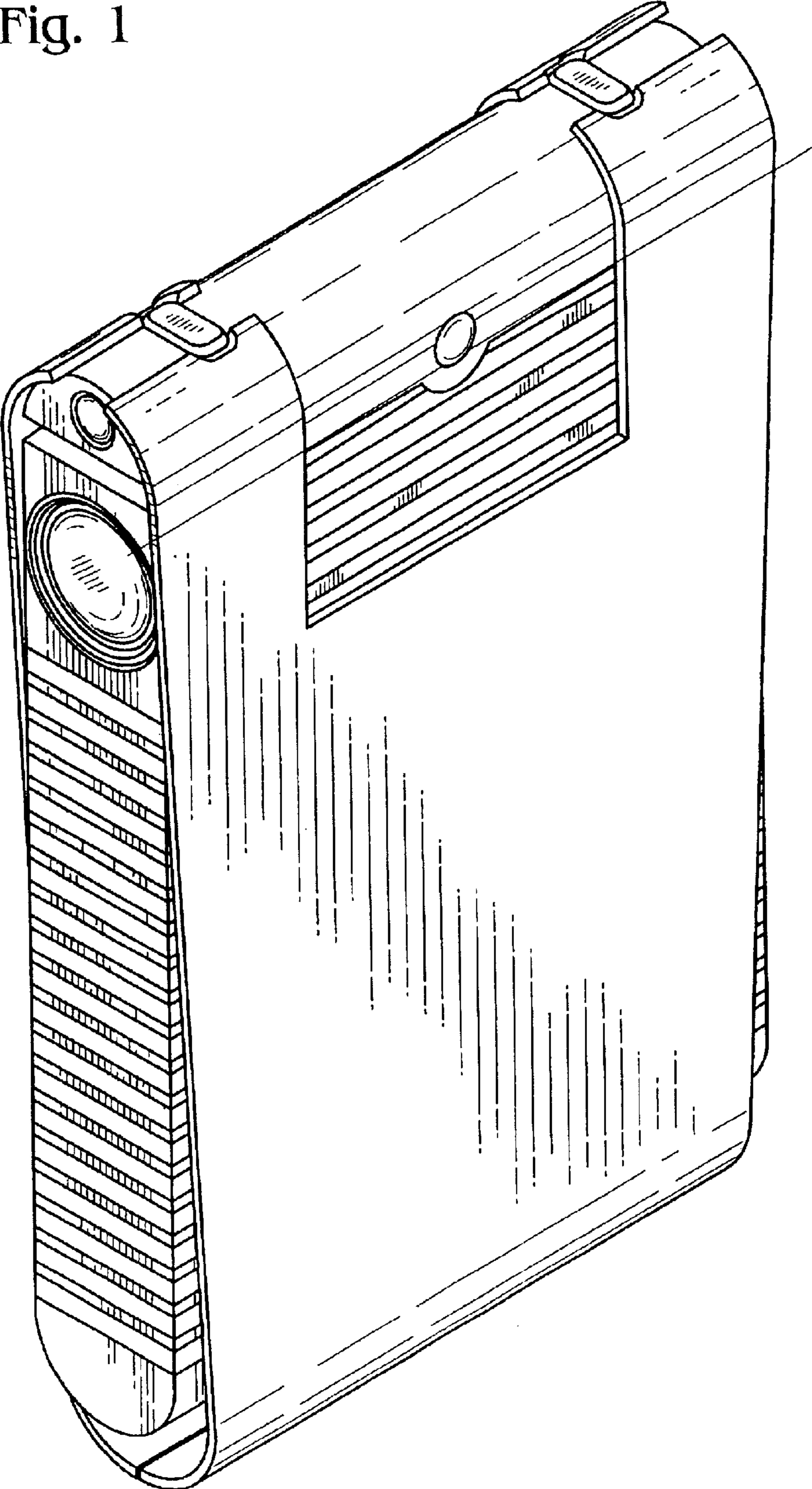


Fig. 2

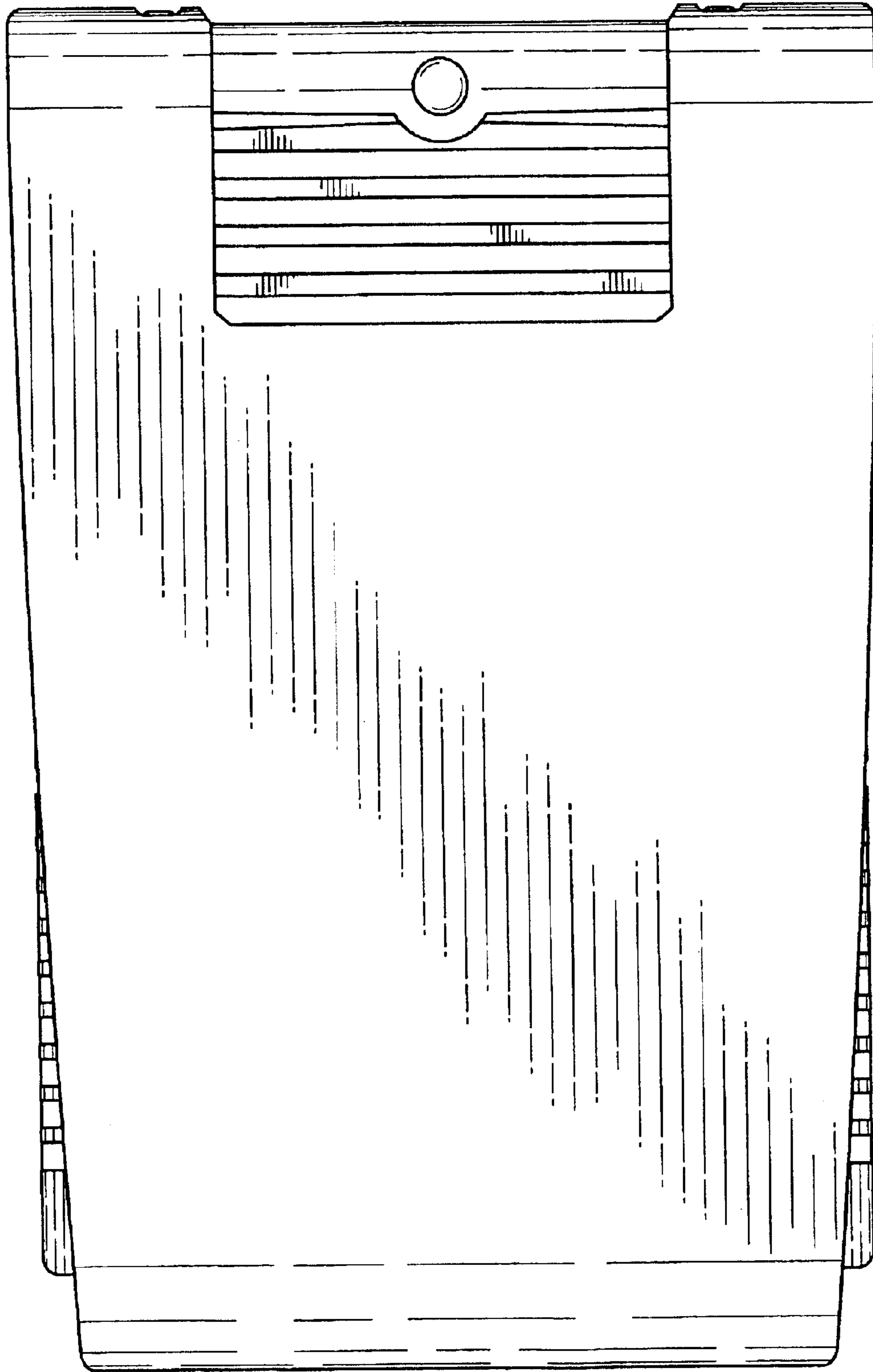


Fig. 3

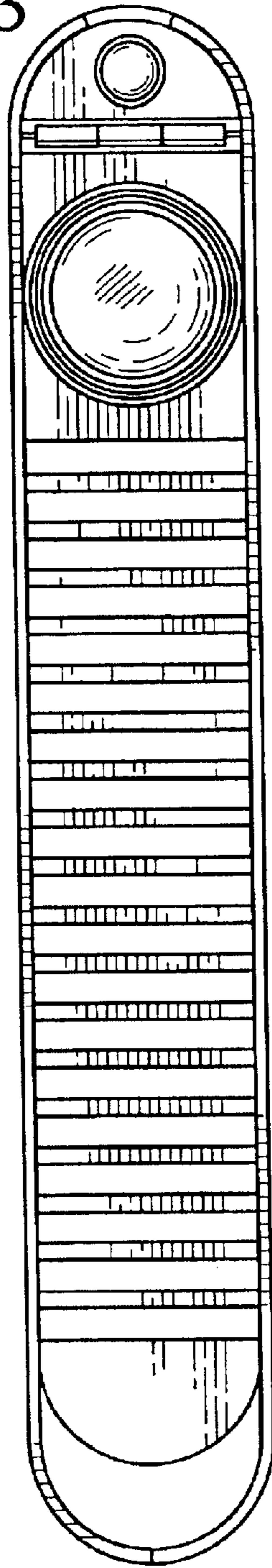


Fig. 4

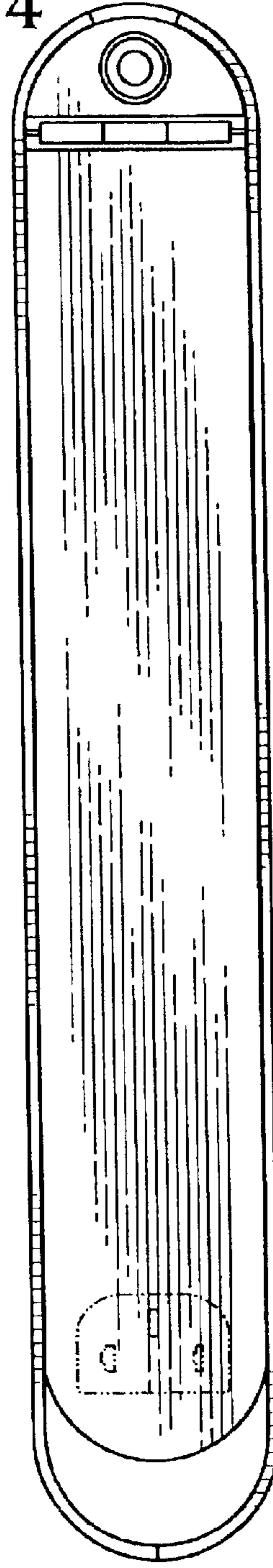


Fig. 5

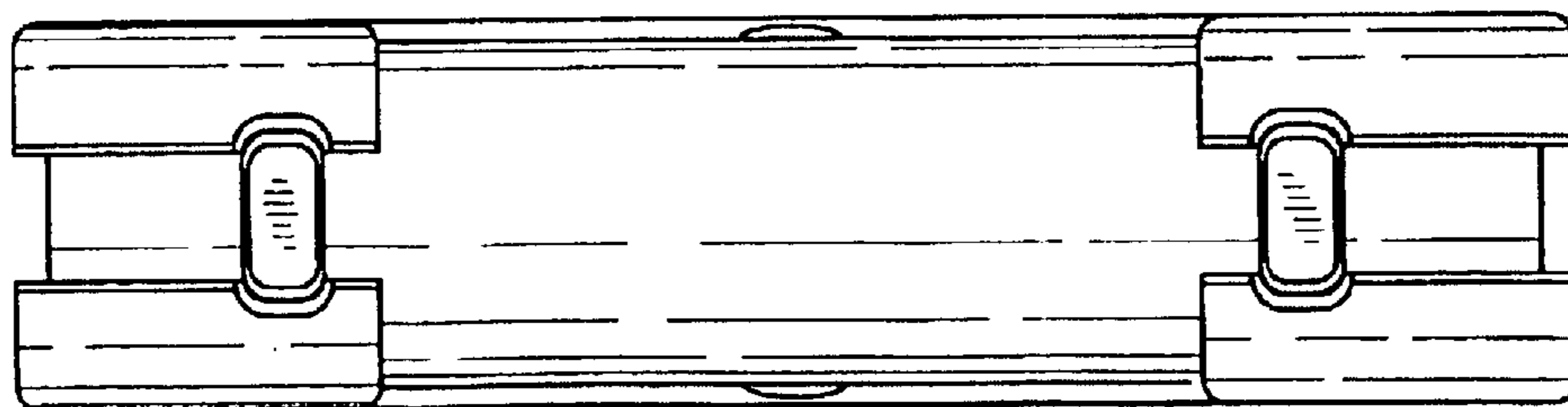


Fig. 6

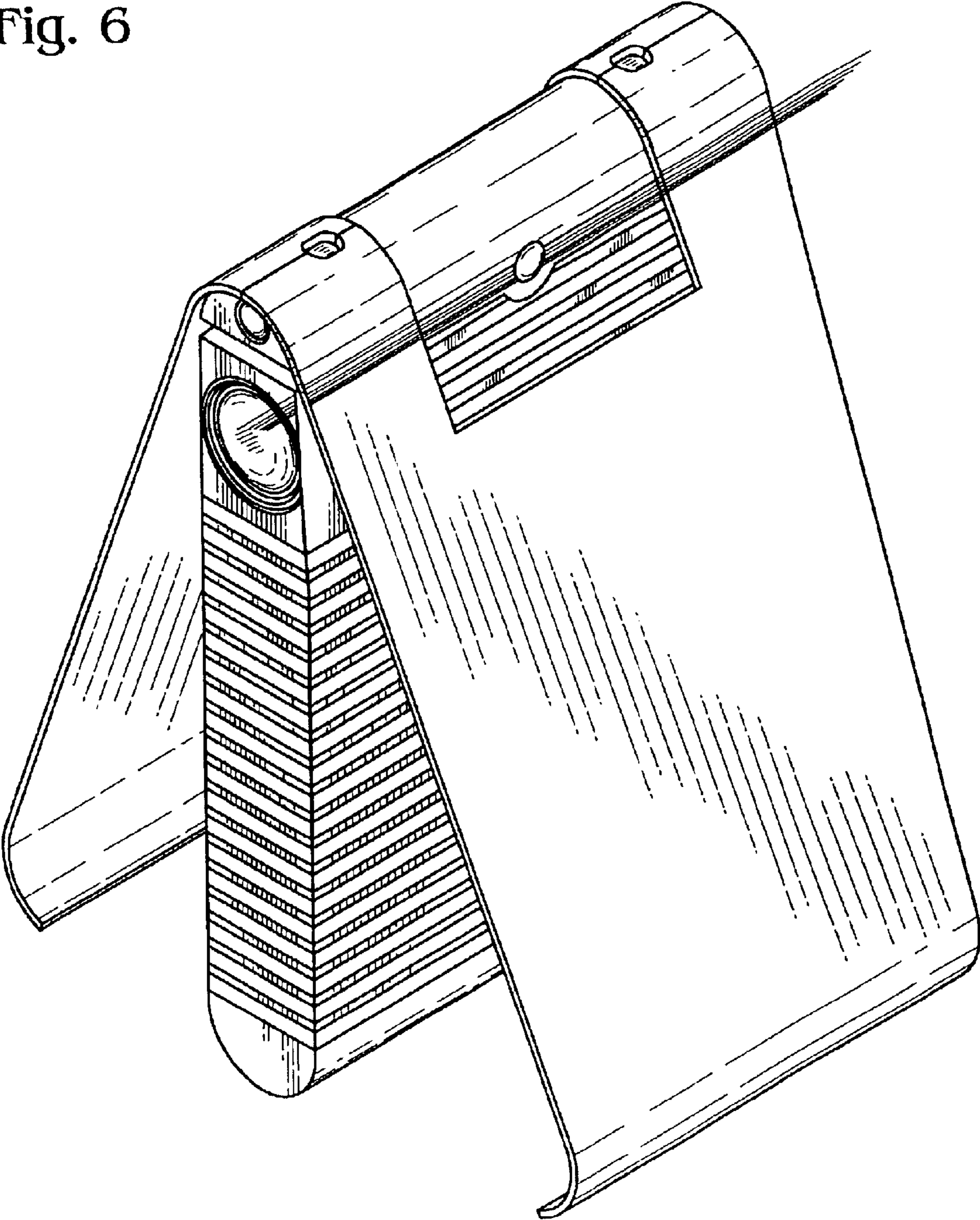
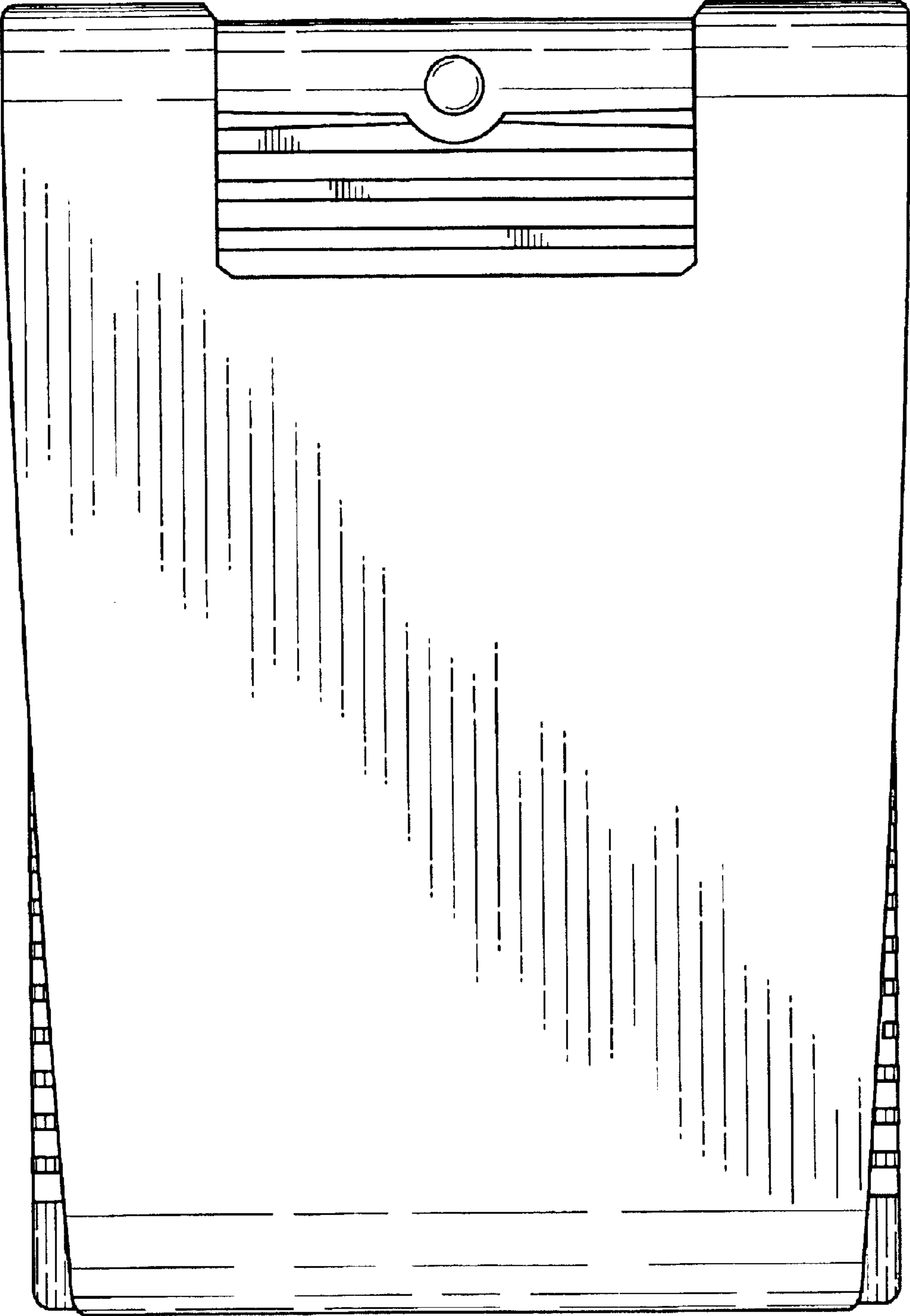


Fig. 7



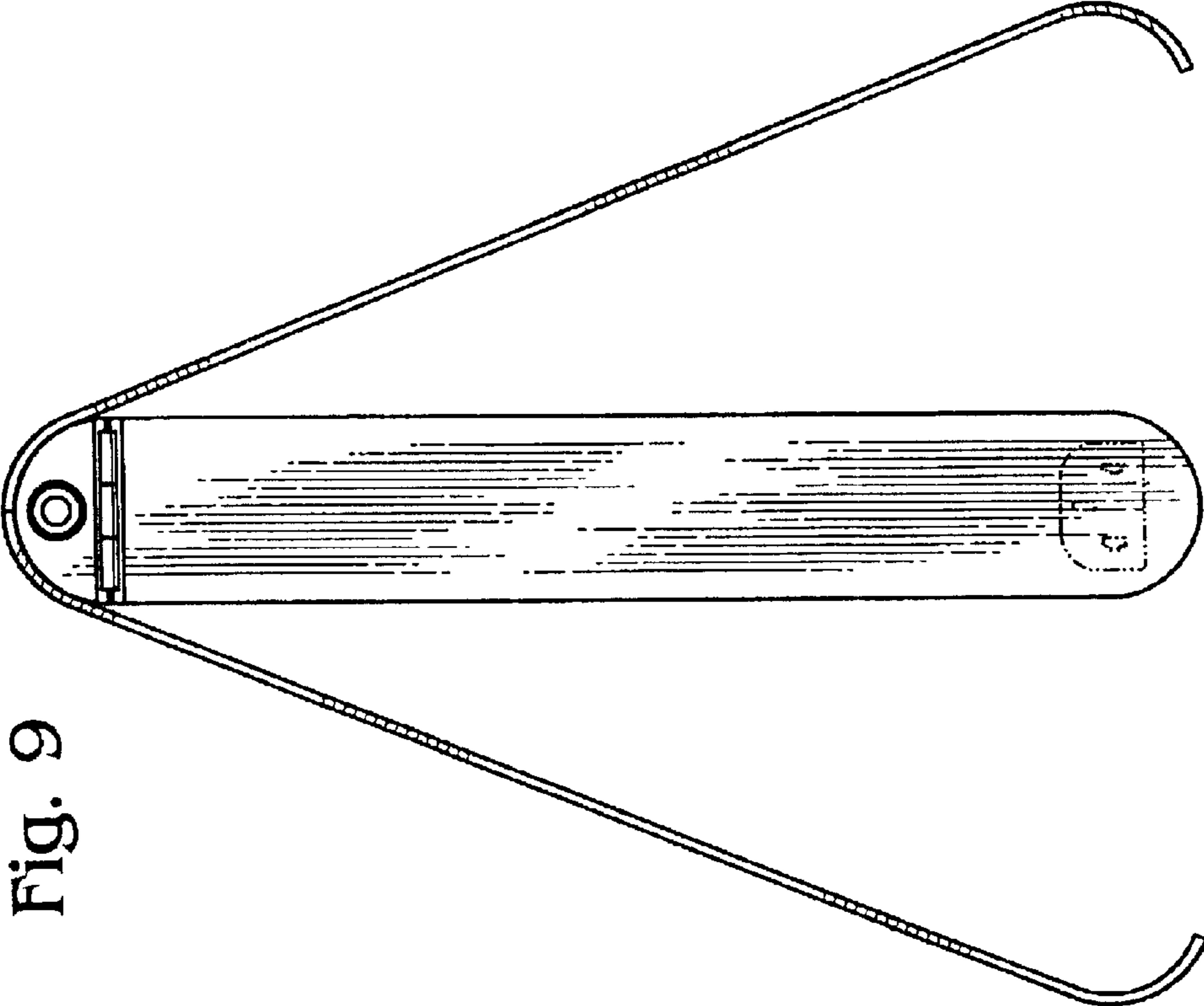


Fig. 9

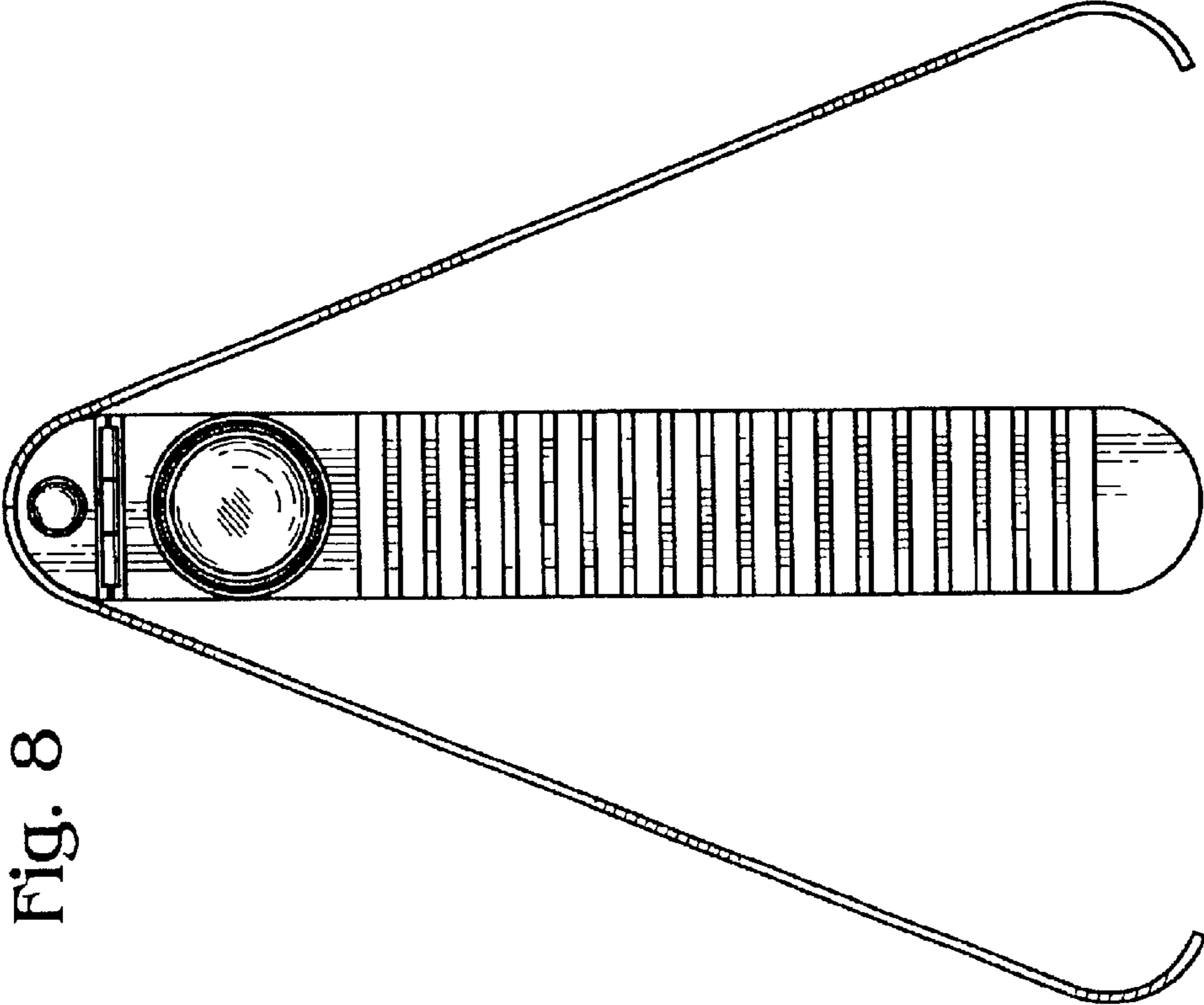


Fig. 8

Fig. 10

