

US00D491969S1

(12) **United States Design Patent** (10) **Patent No.:** **US D491,969 S**
Wani (45) **Date of Patent:** **** Jun. 22, 2004**

(54) **CAMERA**

(75) Inventor: **Yuki Wani, Machida (JP)**

(73) Assignee: **Olympus Corporation, Tokyo (JP)**

(**) Term: **14 Years**

(21) Appl. No.: **29/182,028**

(22) Filed: **May 19, 2003**

(30) **Foreign Application Priority Data**

Feb. 28, 2003 (JP) 2003-005258
 Feb. 28, 2003 (JP) 2003-005259

(51) **LOC (7) Cl.** **16-01**

(52) **U.S. Cl.** **D16/212; D16/202**

(58) **Field of Search** **D16/200-204, D16/208, 209, 211, 212, 218; 348/373-376; 358/909.1; 396/348, 349, 448, 535, 536-541**

(56) **References Cited**

U.S. PATENT DOCUMENTS

D213,806 S * 4/1969 Ikegami et al. D16/212
 D323,336 S * 1/1992 Moro et al. D16/209
 6,036,376 A * 3/2000 Owashi et al. 396/349
 6,104,882 A * 8/2000 Inazuka 396/349
 6,151,455 A * 11/2000 Mikami et al. 396/448
 D483,786 S * 12/2003 Urushihata D16/212

* cited by examiner

Primary Examiner—Adir Aronovich

(74) *Attorney, Agent, or Firm—Hogan & Hartson LLP*

(57) **CLAIM**

The ornamental design for a camera, as shown and described.

DESCRIPTION

FIG. 1 is a front, top and right side perspective view of a camera, showing my new design;

FIG. 2 is a front, top and right side perspective view thereof with a barrier in an opened state;

FIG. 3 is a front elevational view with the barrier in a closed state;

FIG. 4 is a top plan view thereof;

FIG. 5 is a right side elevational view thereof;

FIG. 6 is a left side elevational view thereof;

FIG. 7 is a rear elevational view thereof;

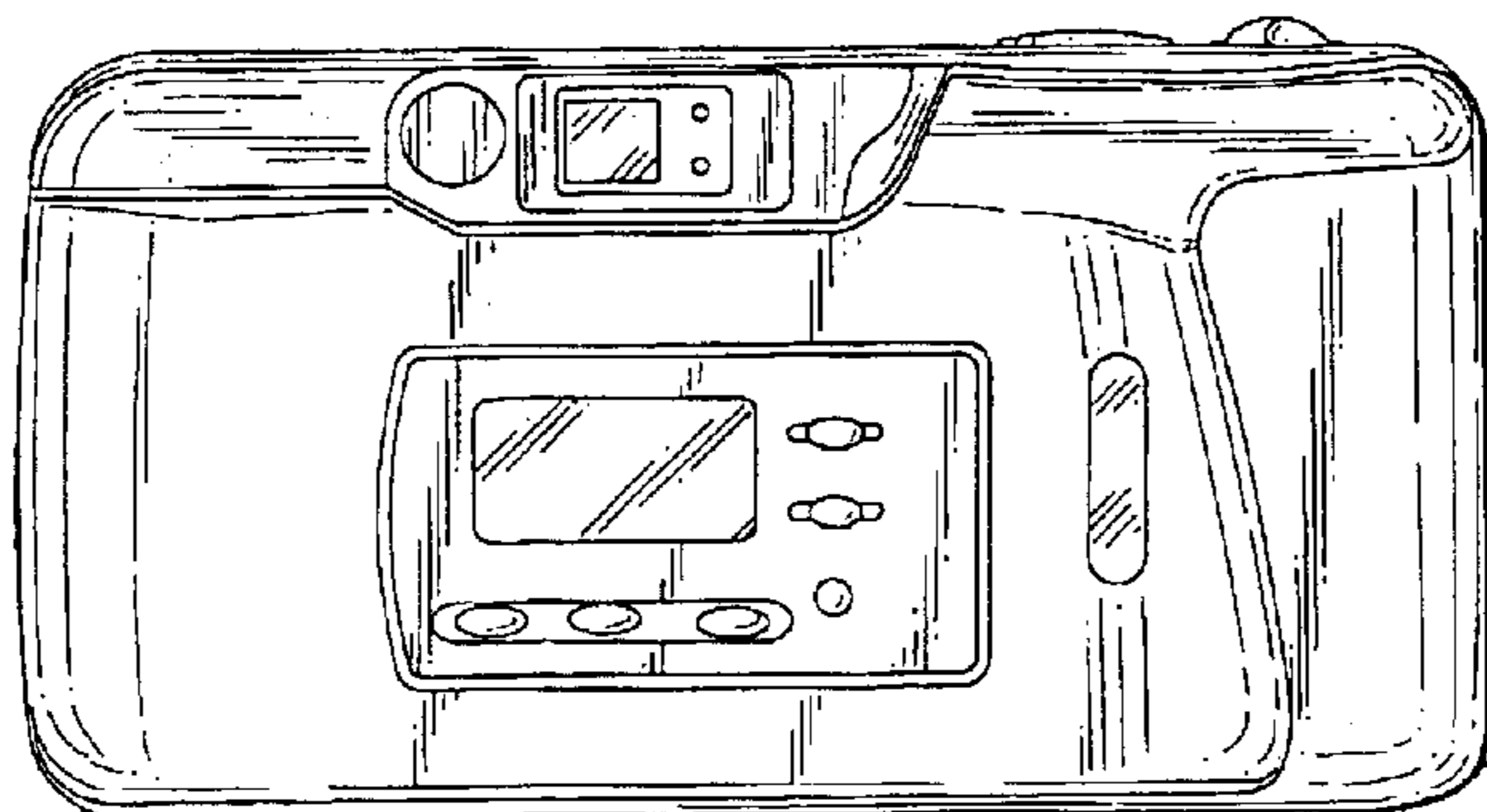
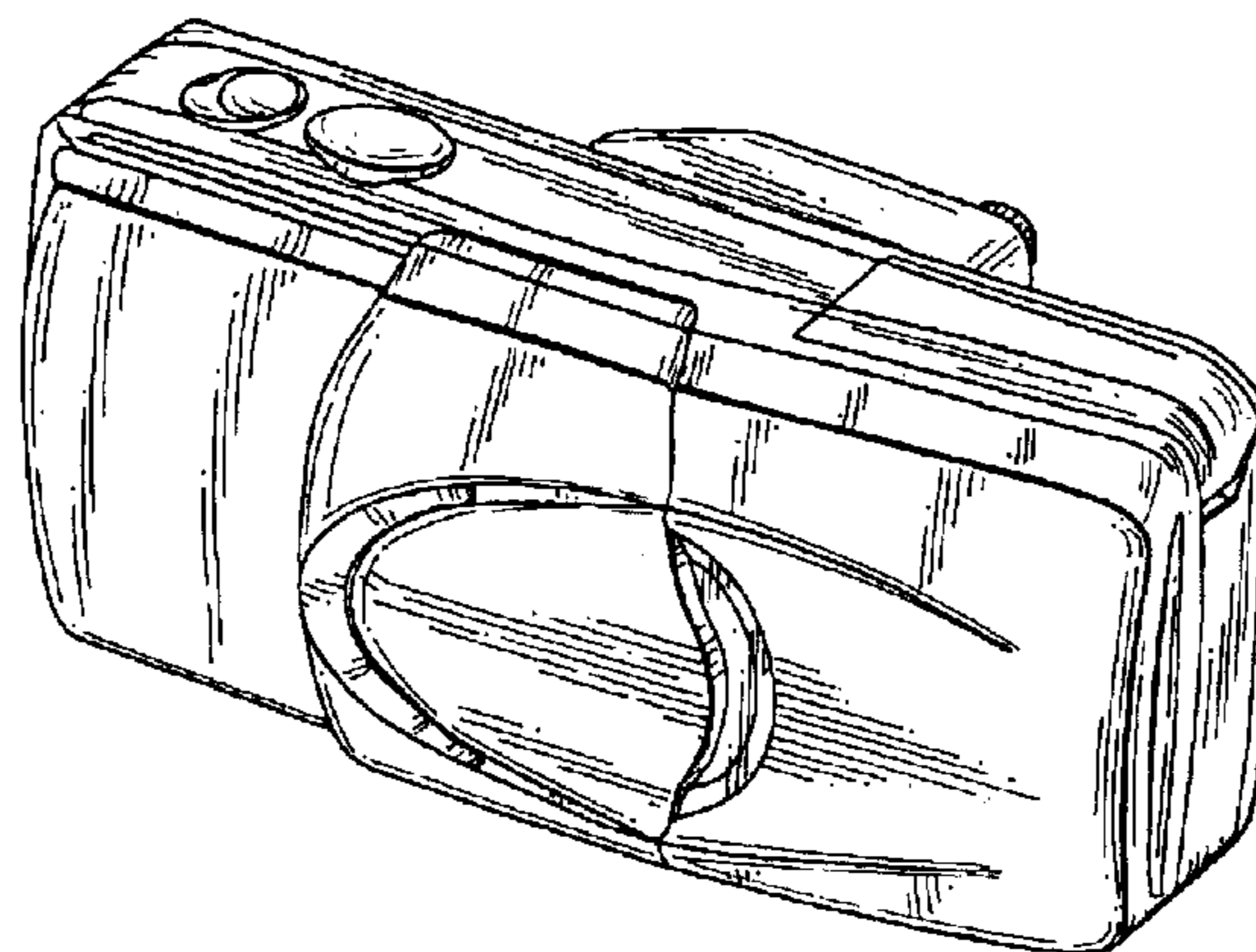
FIG. 8 is a bottom plan view thereof;

FIG. 9 is a front elevational view thereof with the barrier in an opened state;

FIG. 10 is a top plan view thereof with the barrier in an opened state; and,

FIG. 11 is a right side elevational view thereof with the barrier in an opened state.

1 Claim, 4 Drawing Sheets



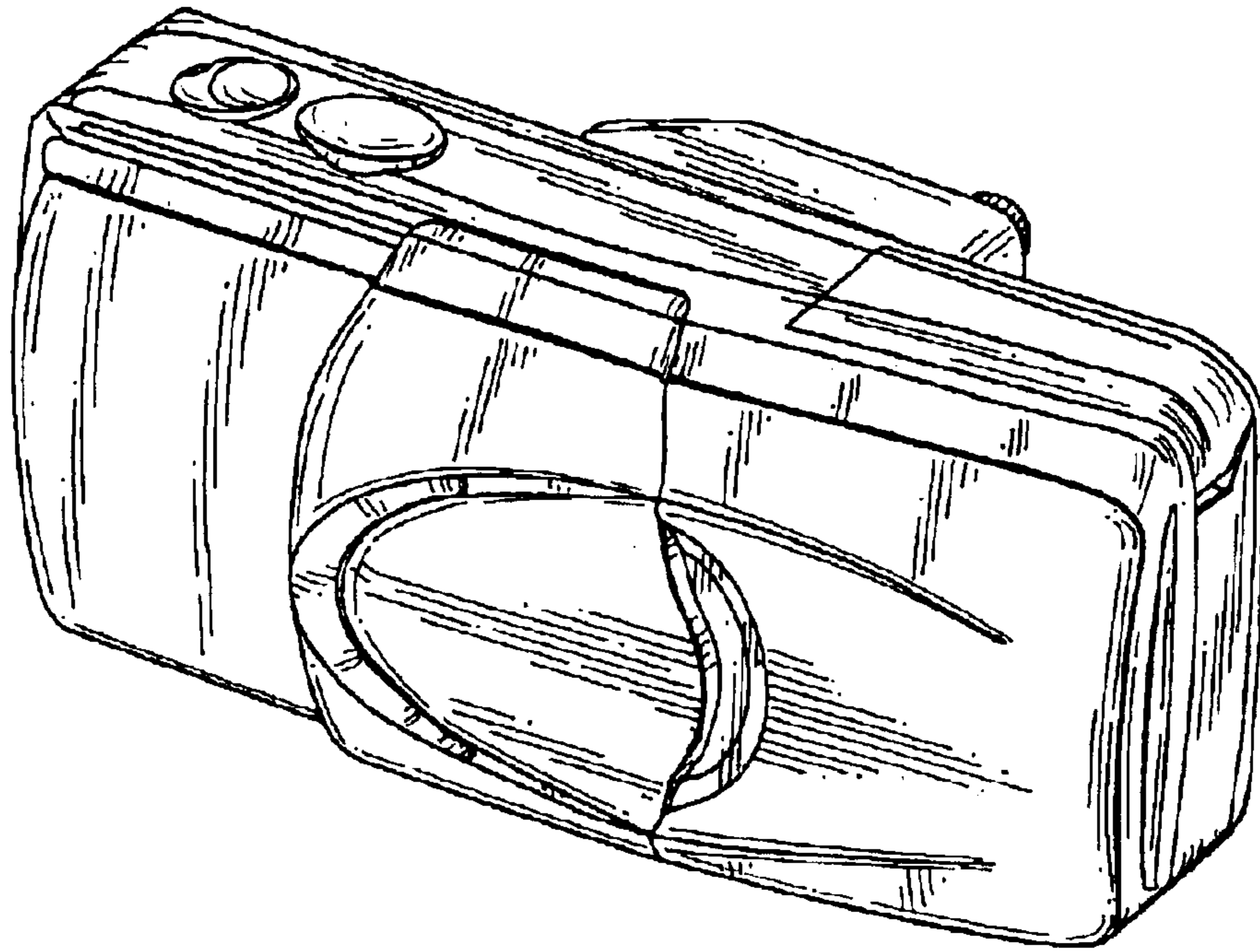


FIG. 1

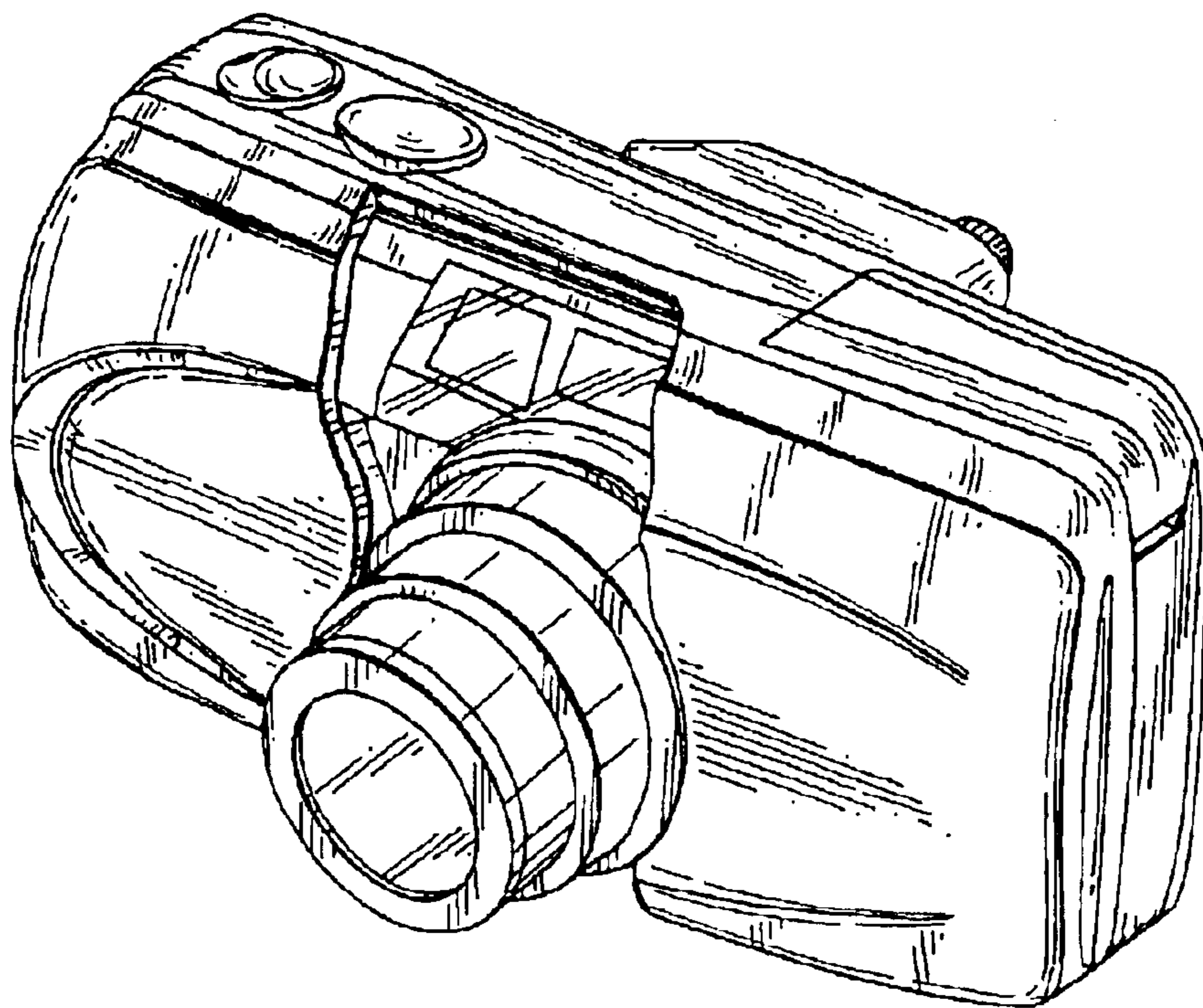


FIG. 2

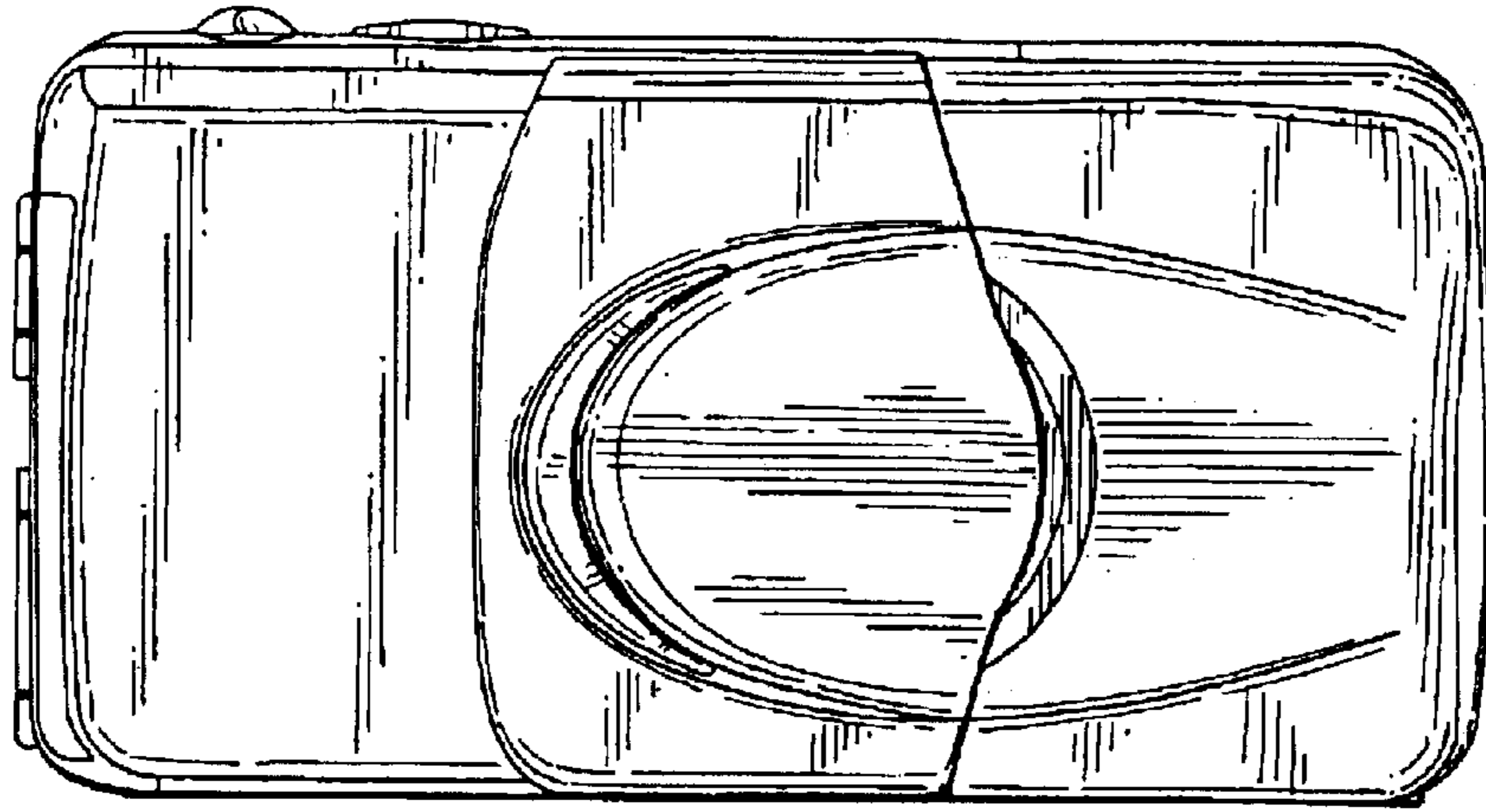


FIG. 3

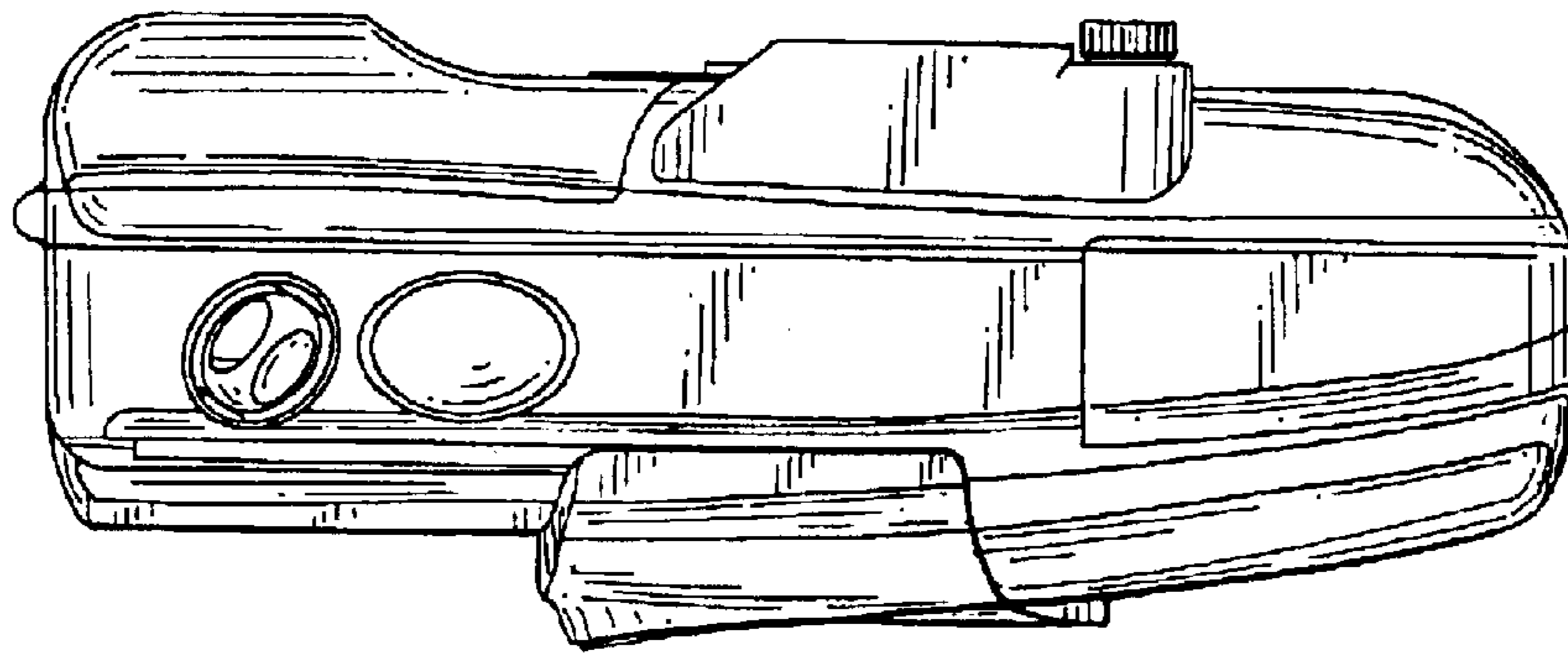


FIG. 4

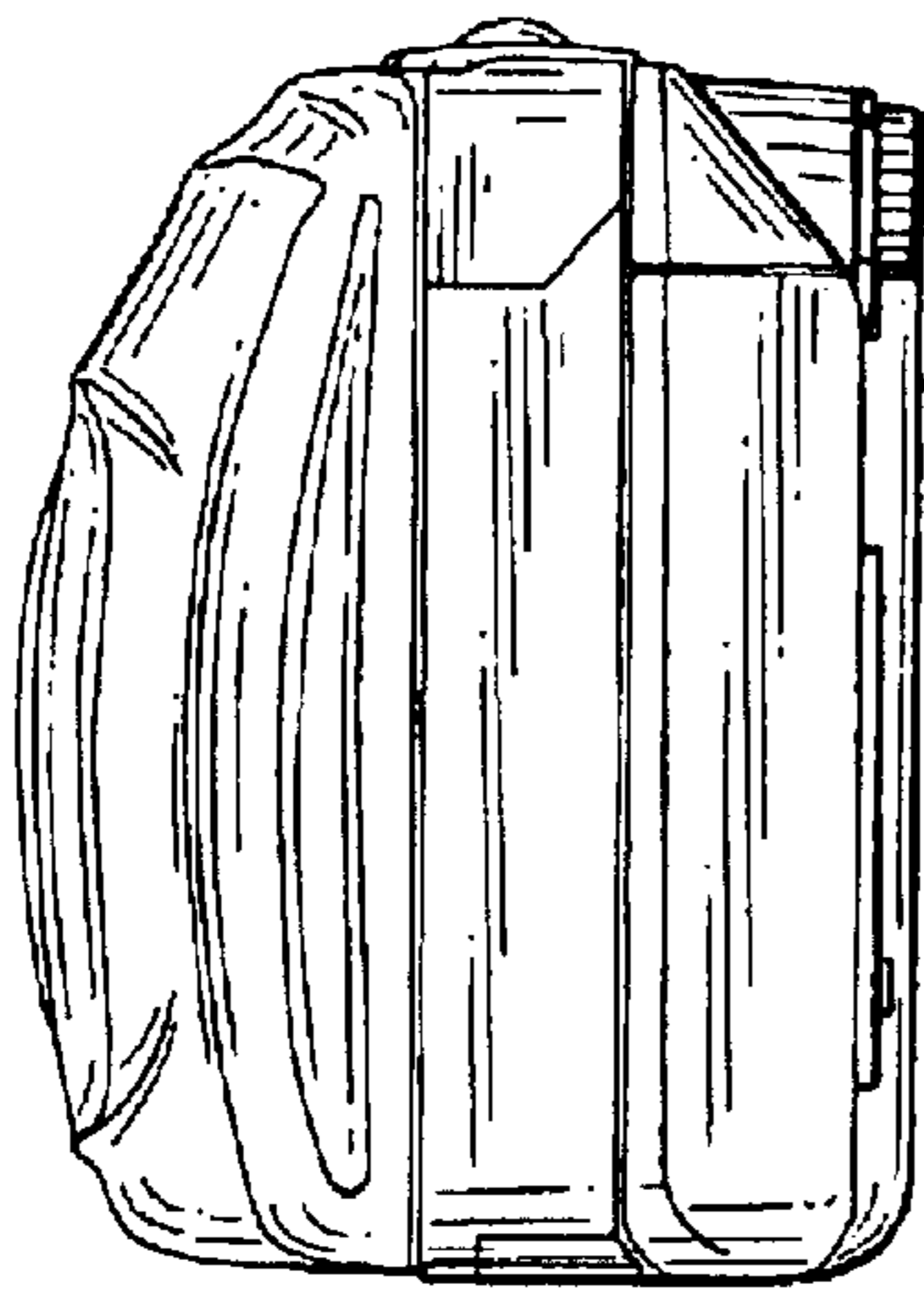


FIG. 5

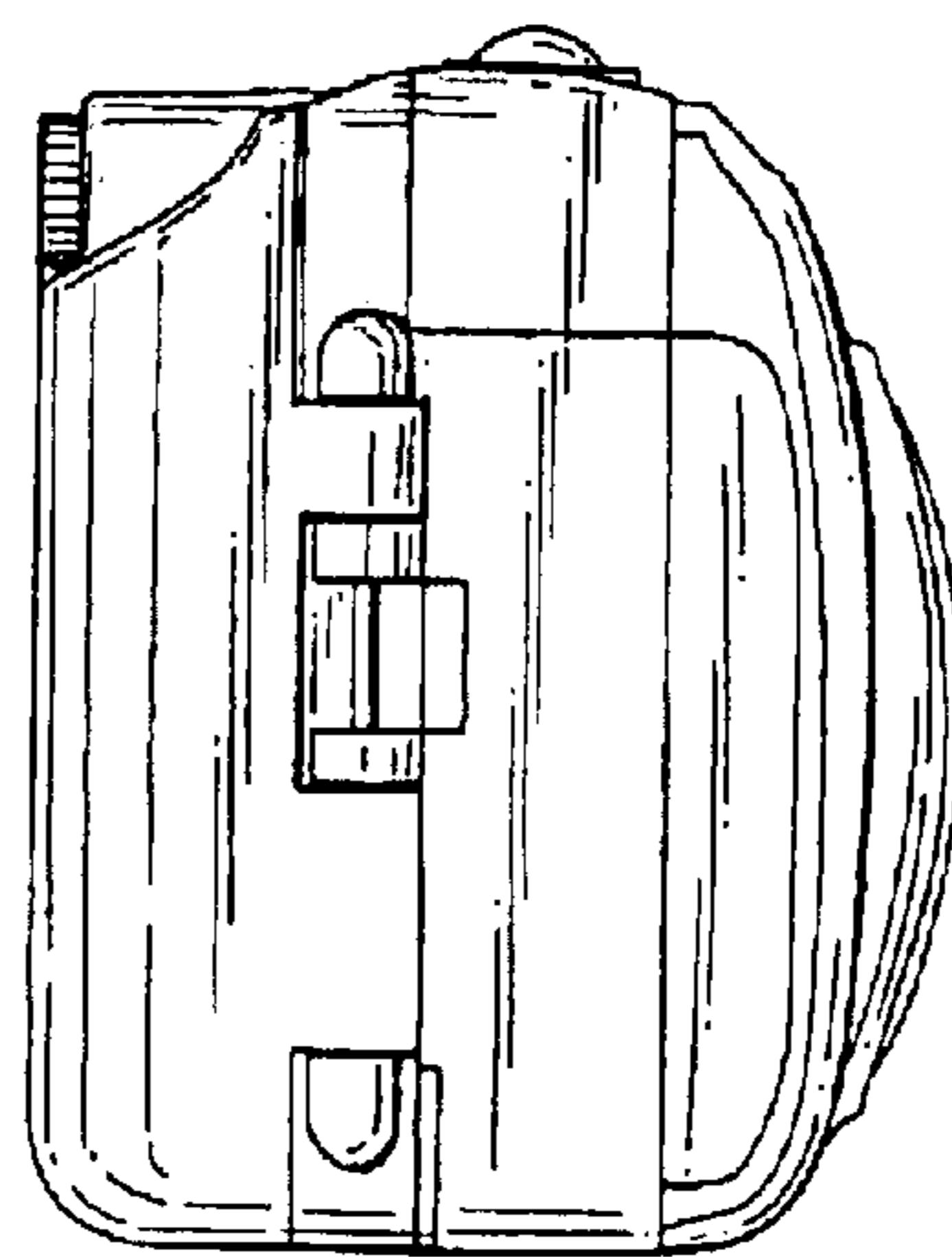


FIG. 6

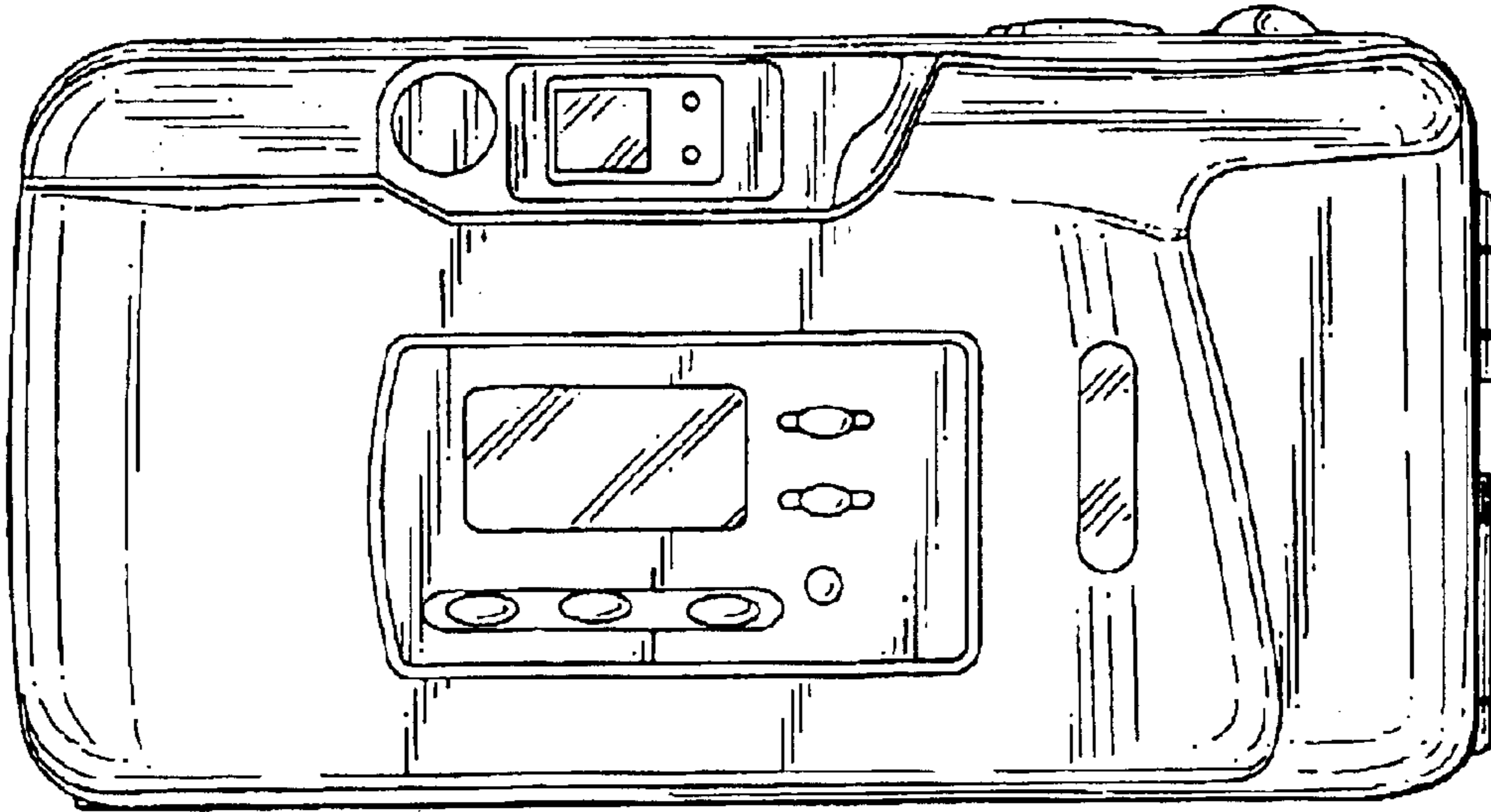


FIG. 7

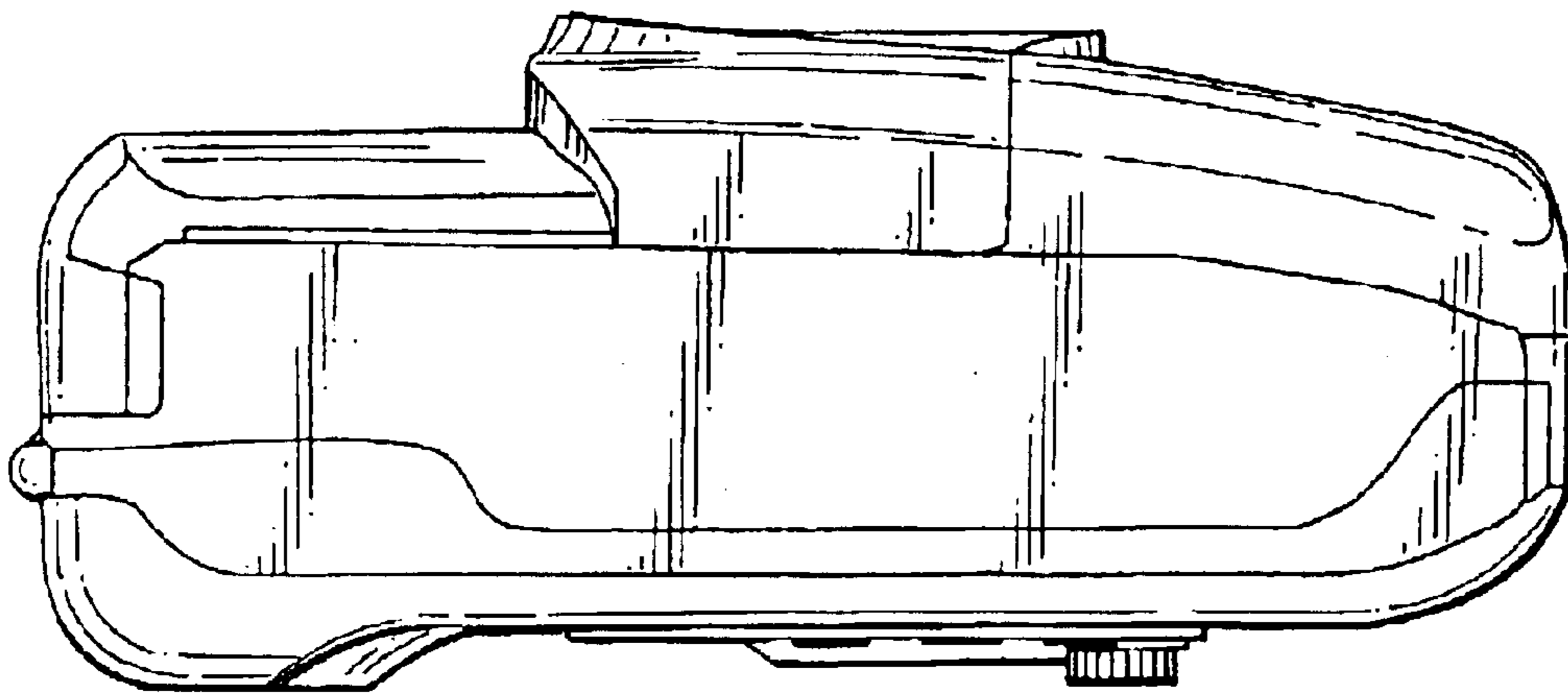


FIG. 8

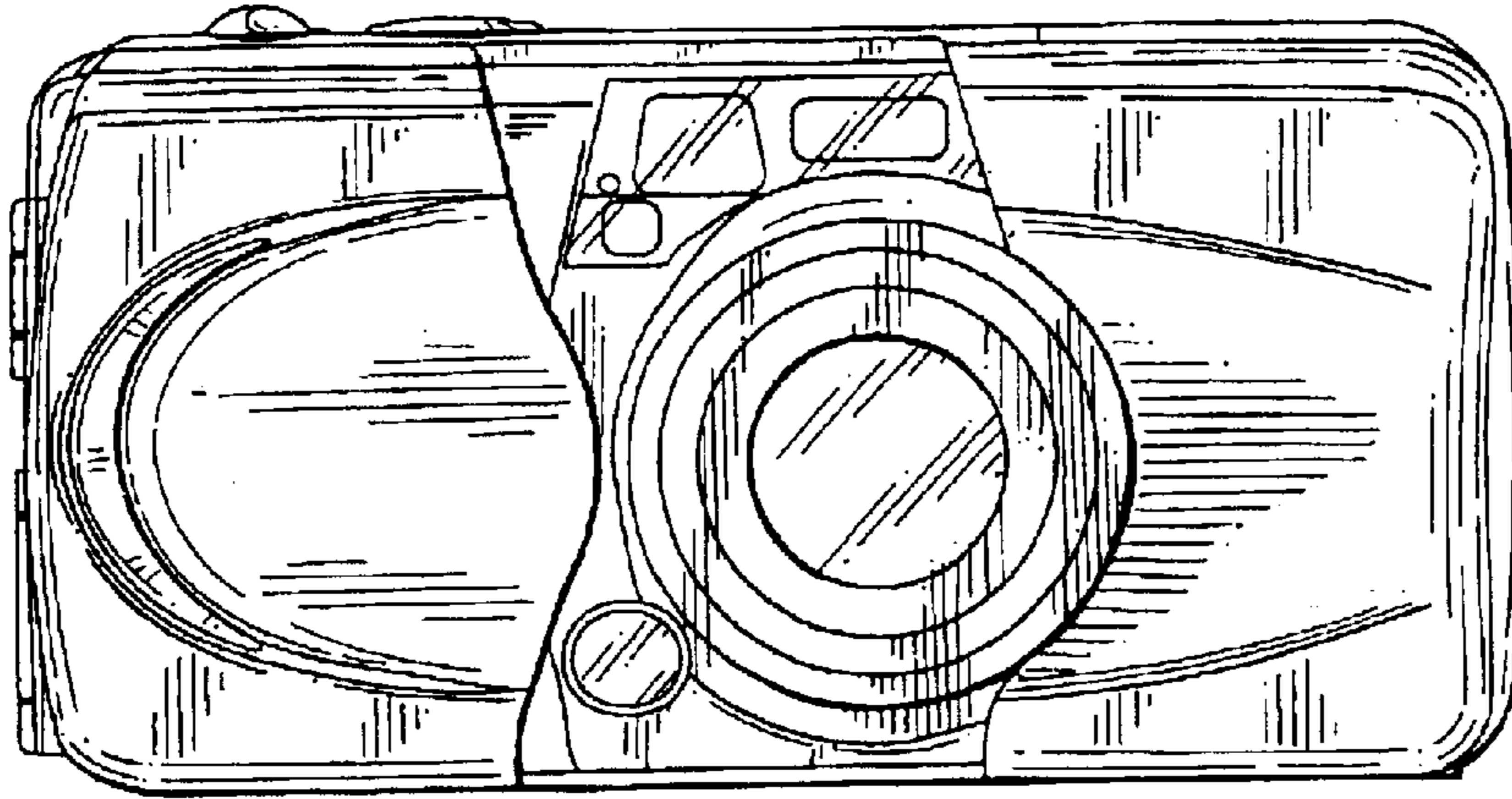


FIG. 9

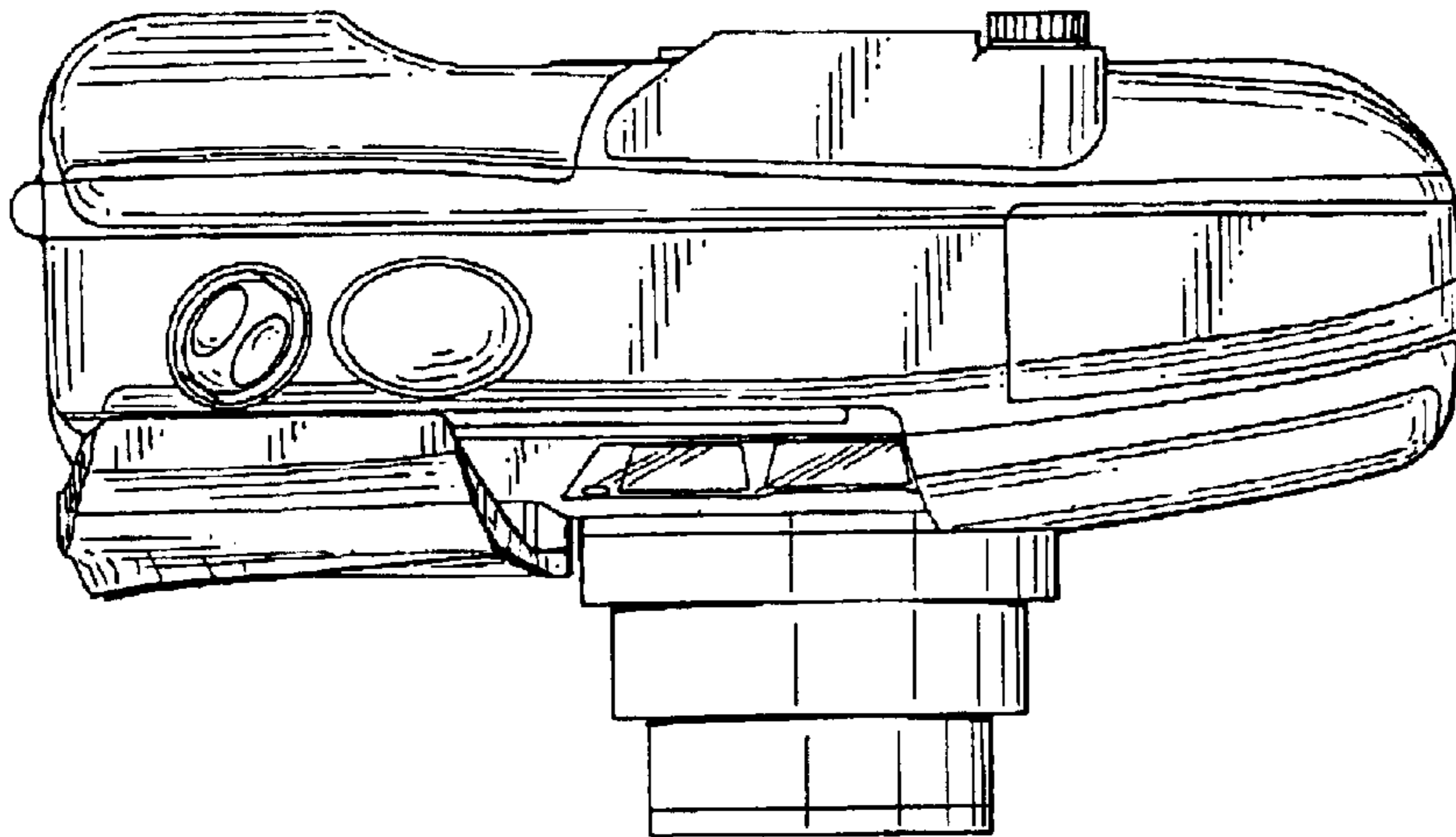


FIG. 10

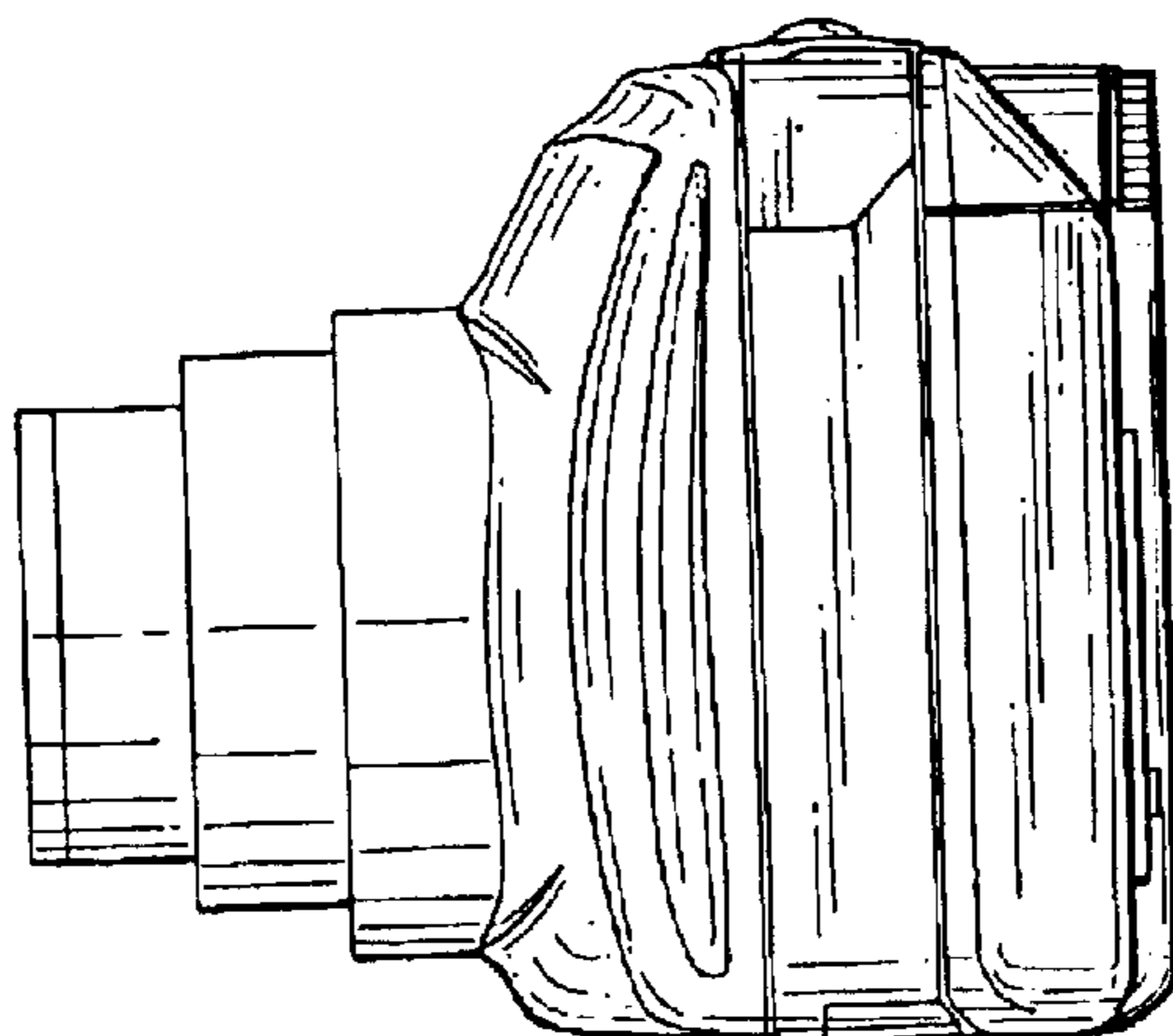


FIG. 11