

US00D491968S1

(12) **United States Design Patent**  
**Isshiki**

(10) **Patent No.:** **US D491,968 S**  
(45) **Date of Patent:** **\*\* Jun. 22, 2004**

(54) **TELEVISION CAMERA FOR MONITORING**

6,678,001 B1 \* 1/2004 Elberbaum ..... 348/373

(75) **Inventor:** **Masao Isshiki, Yokohama (JP)**

**FOREIGN PATENT DOCUMENTS**

(73) **Assignee:** **Kabushiki Kaisha Toshiba (JP)**

CH	01353927.2	8/2002
JP	1096895	1/2001
JP	1142705	6/2002

(\*\*) **Term:** **14 Years**

**OTHER PUBLICATIONS**

(21) **Appl. No.:** **29/187,230**

Panasonic, WV-NM100, dated Jun. 2002.

(22) **Filed:** **Jul. 30, 2003**

\* cited by examiner

(30) **Foreign Application Priority Data**

Apr. 23, 2003 (JP) ..... 2003-011539

*Primary Examiner*—Adir Aronovich

(74) *Attorney, Agent, or Firm*—Banner & Witcoff, Ltd.

(51) **LOC (7) Cl.** ..... **16-01**

(57) **CLAIM**

(52) **U.S. Cl.** ..... **D16/203**

The ornamental design for a television camera for monitoring, as shown and described.

(58) **Field of Search** ..... D16/200–206,  
D16/208, 218, 219; 348/143, 151, 373–376;  
352/342, 243; 396/419, 427, 535–541

**DESCRIPTION**

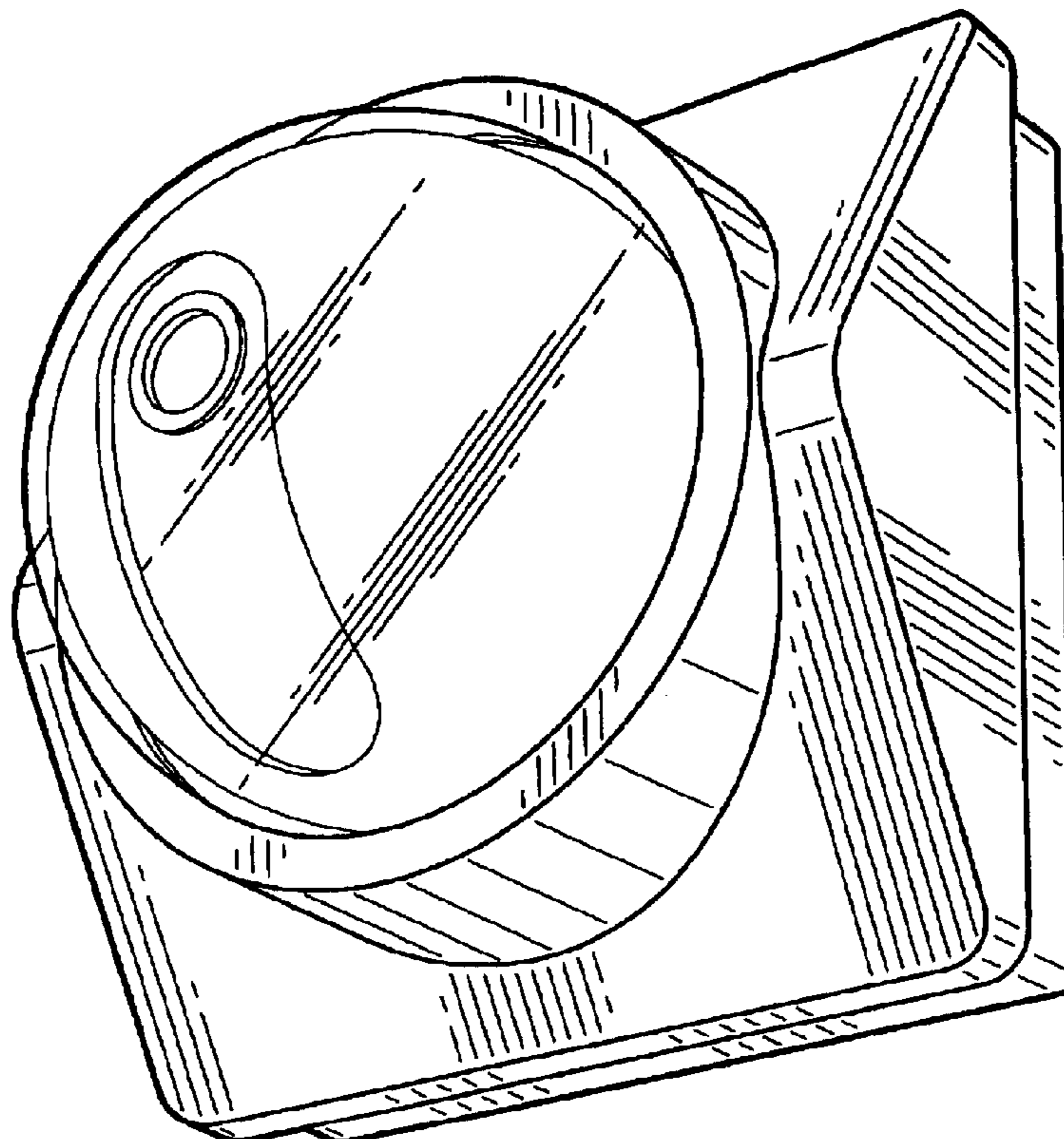
(56) **References Cited**

FIG. 1 is a front, bottom and right side perspective view of a television camera for monitoring, showing my new design; FIG. 2 is a front elevational view thereof; FIG. 3 is a top plan view thereof; FIG. 4 is a bottom plan view thereof; FIG. 5 is a right side elevational view thereof; FIG. 6 is a left side elevational view thereof; and, FIG. 7 is a rear elevational view thereof.

**U.S. PATENT DOCUMENTS**

D275,294 S	*	8/1984	Pagano	.....	D16/203
4,764,008 A	*	8/1988	Wren	.....	348/143
D388,450 S	*	12/1997	Hamano et al.	.....	D16/203
D450,075 S	*	11/2001	Uehara	.....	D16/203
D452,696 S	*	1/2002	Fenton	.....	D16/203
6,357,936 B1	*	3/2002	Elberbaum	.....	396/427
D473,887 S		4/2003	Jones et al.	.....	D16/203
D473,888 S		4/2003	Jones et al.	.....	D16/203

**1 Claim, 4 Drawing Sheets**



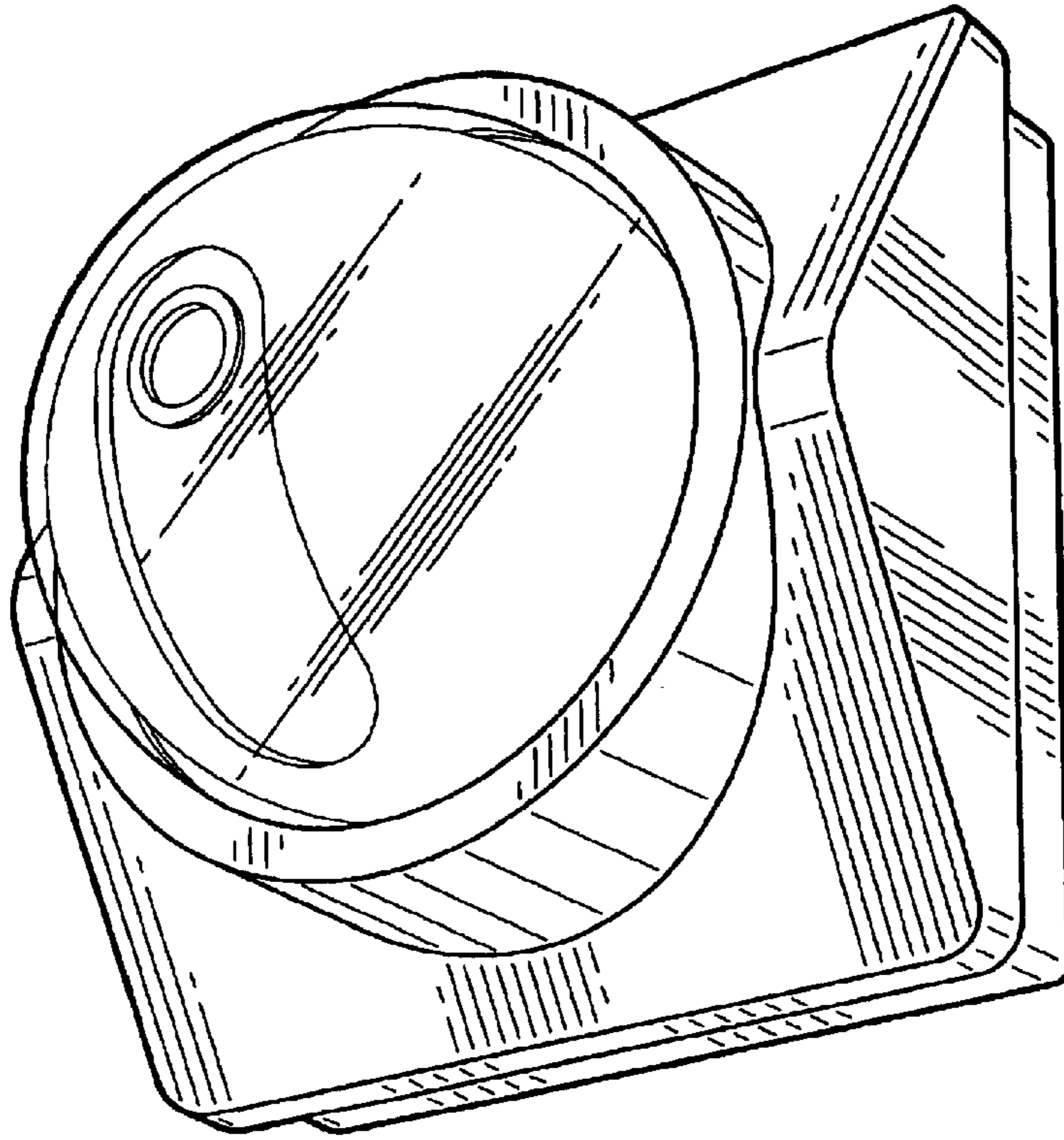


FIG. 1

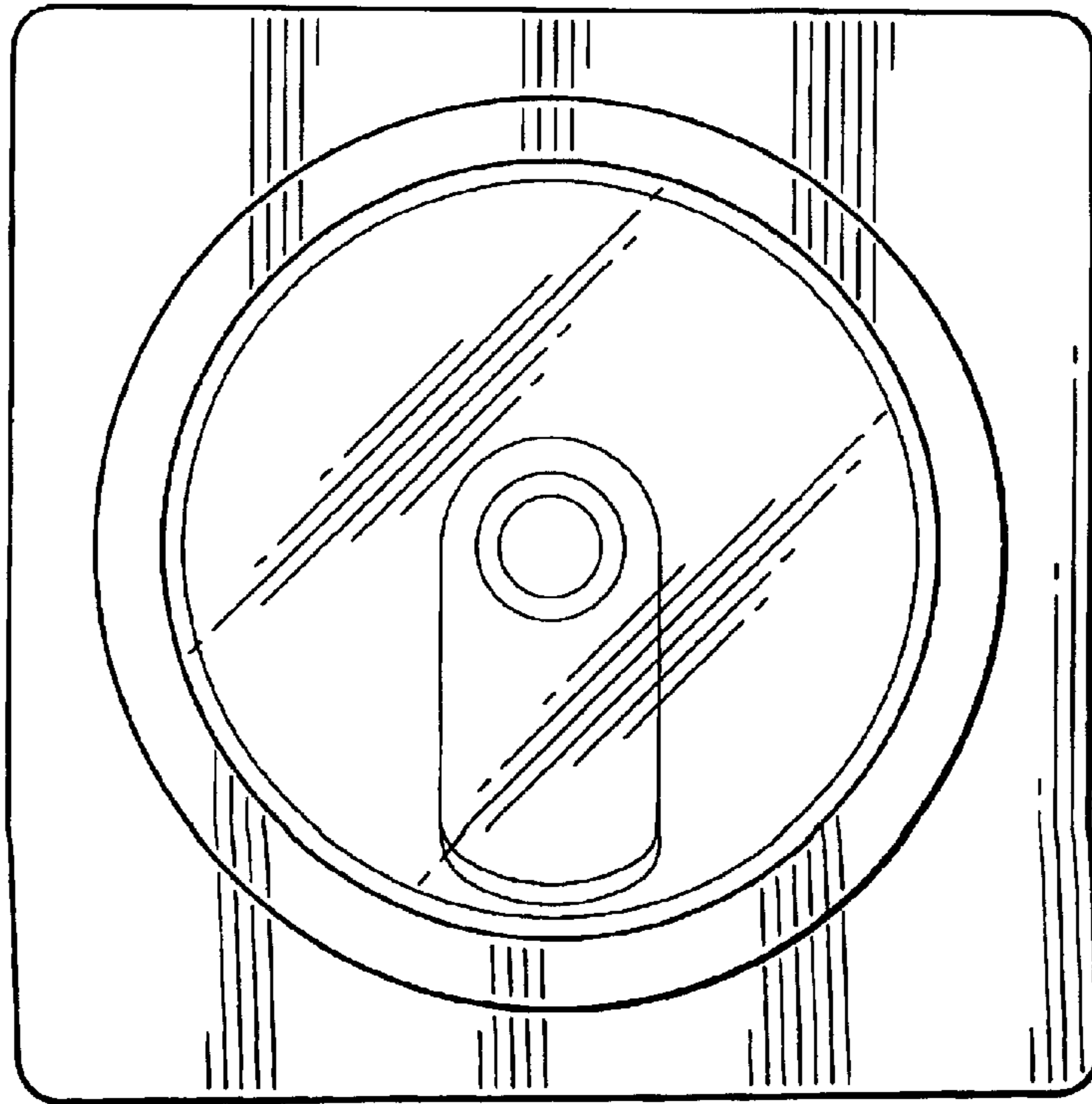


FIG. 2

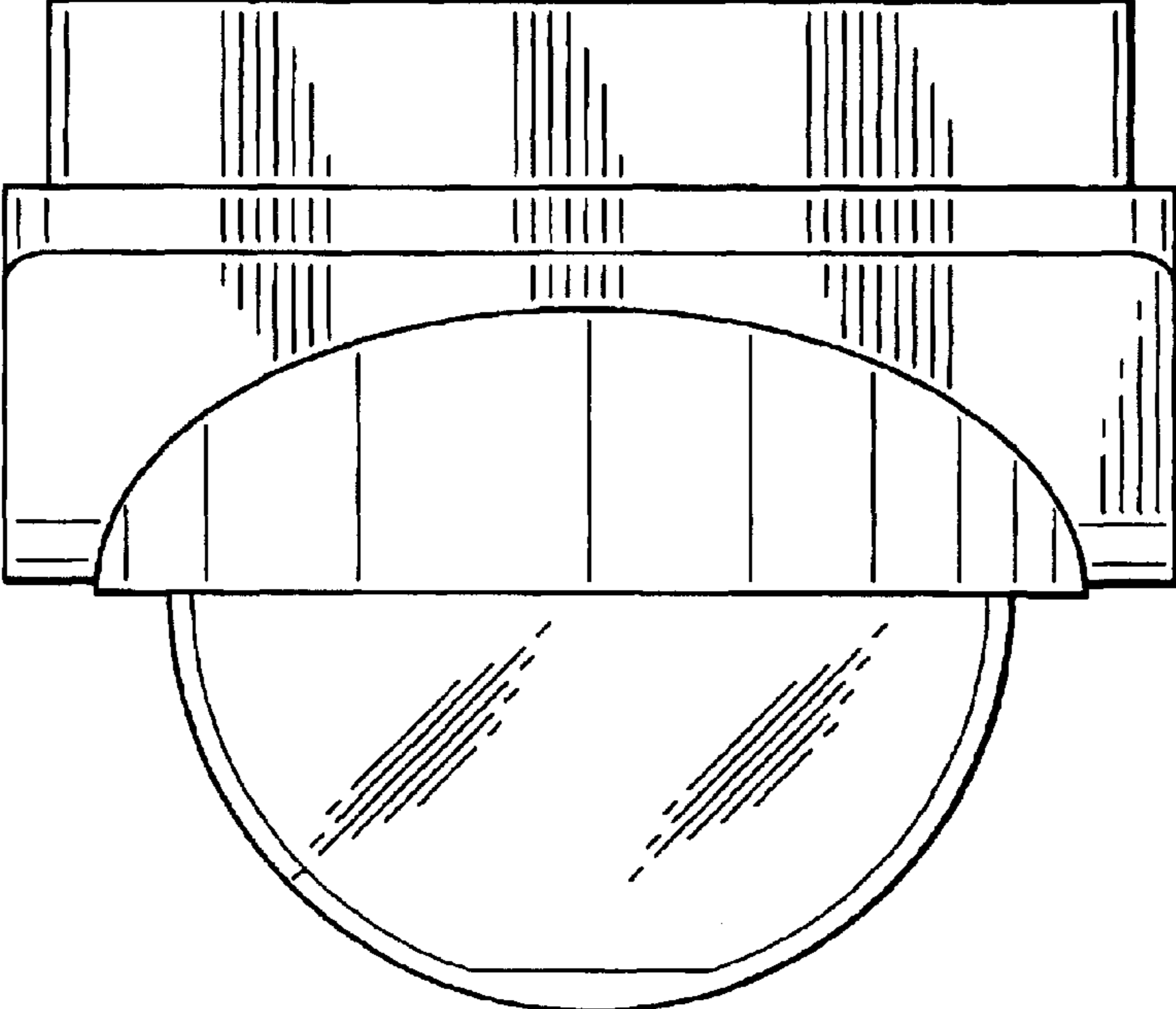


FIG.3

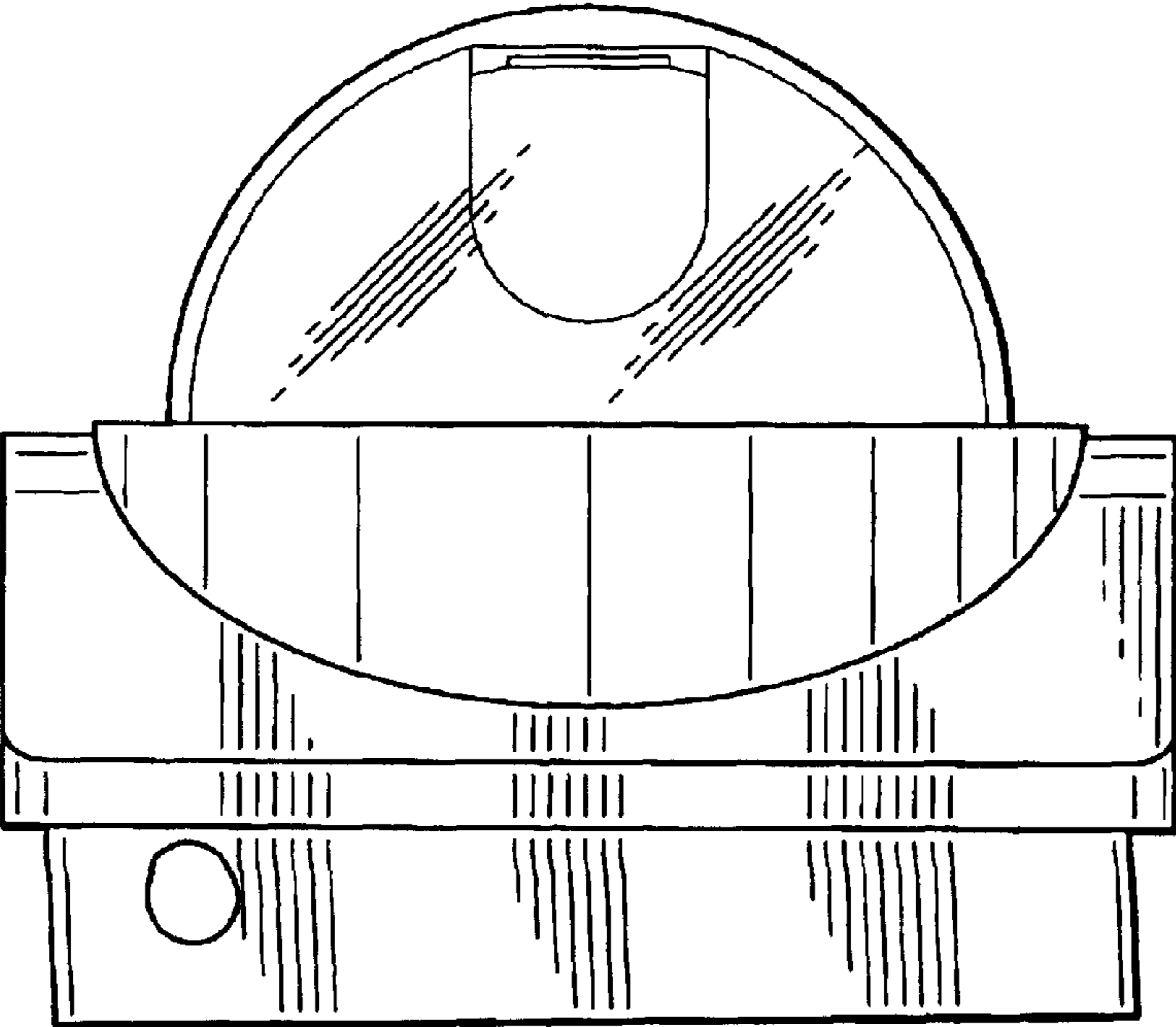


FIG.4

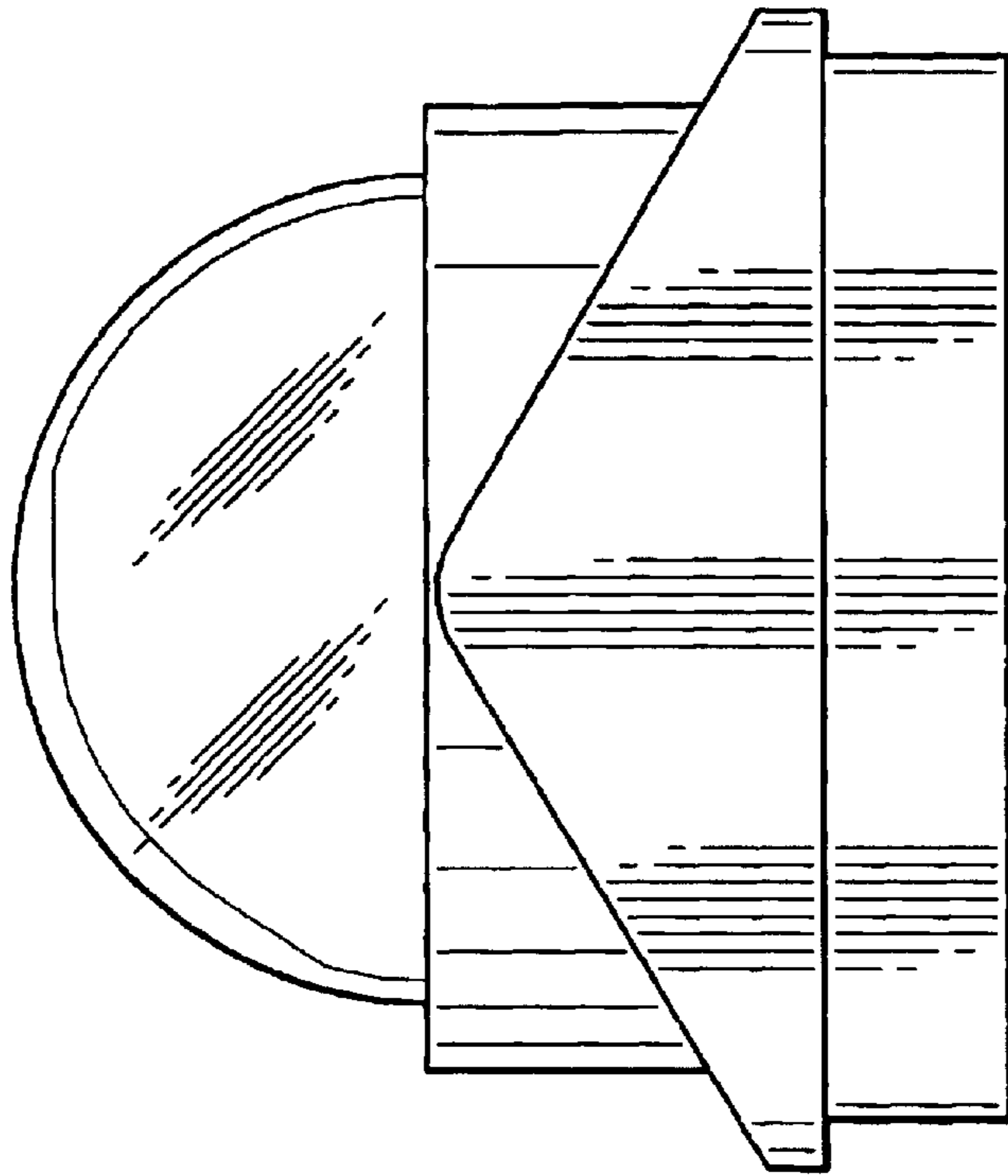


FIG. 5

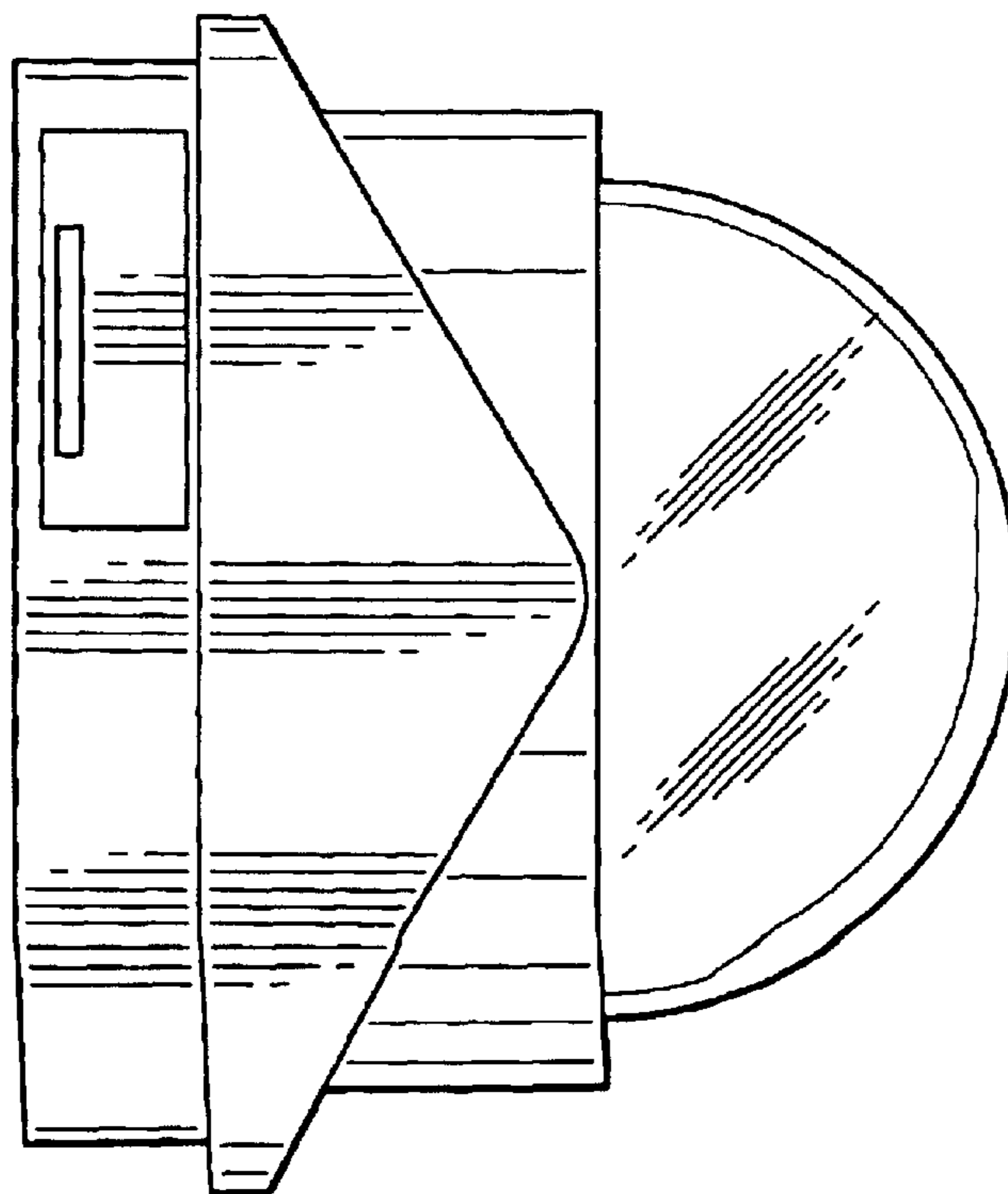


FIG. 6

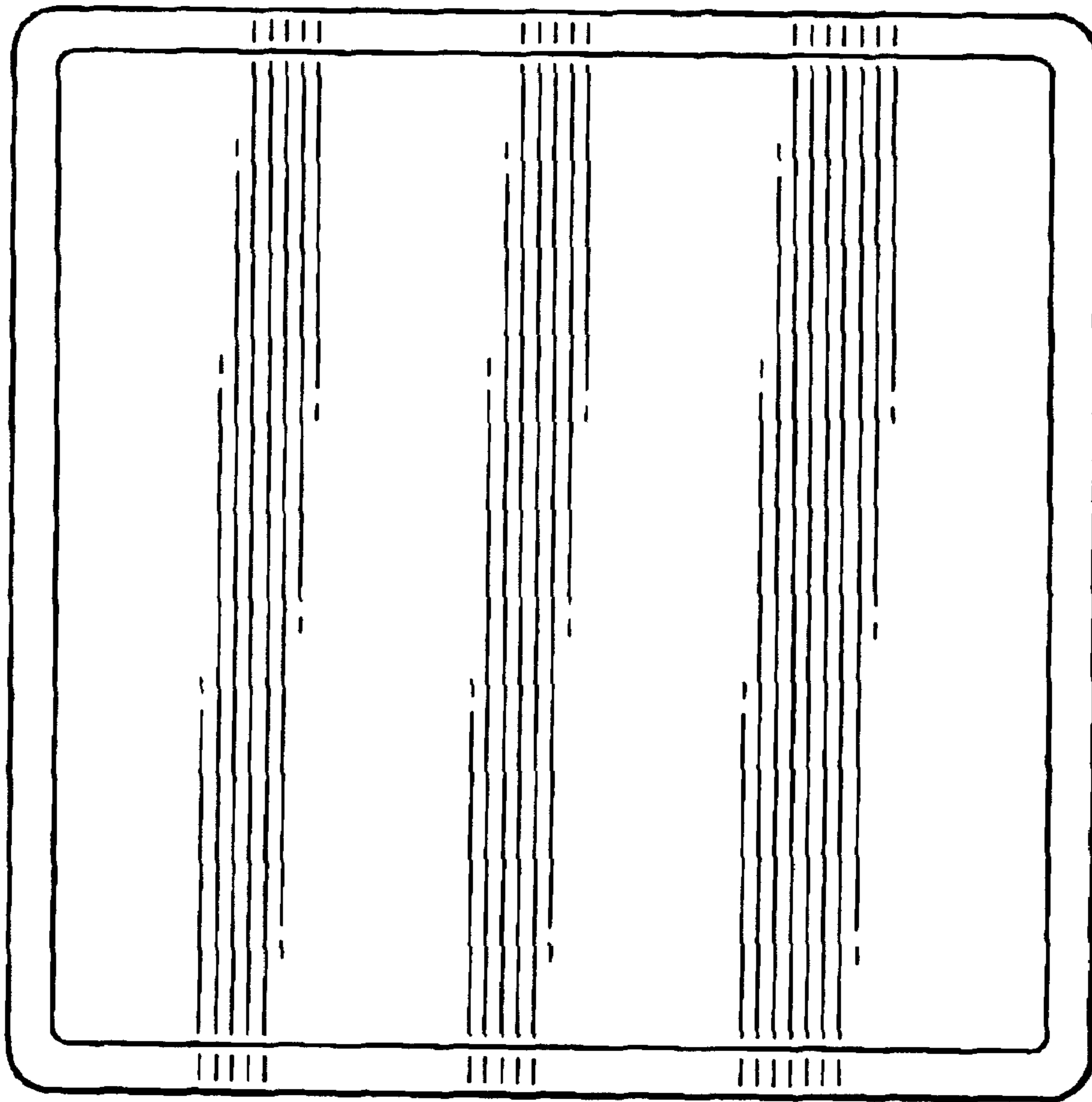


FIG.7