

US00D491967S1

(12) **United States Design Patent**
Kojima et al.

(10) **Patent No.:** **US D491,967 S**
(45) **Date of Patent:** **** Jun. 22, 2004**

(54) **VIDEO CAMERA WITH DIGITAL VIDEO DISC PLAYER**

D456,434 S * 4/2002 Yamazaki D16/202
D477,343 S * 7/2003 Miyashita D16/202

(75) Inventors: **Akira Kojima**, Kunitachi (JP); **Yutaka Yonezawa**, Hachioji (JP); **Yoshihiro Kato**, Naka (JP)

* cited by examiner

Primary Examiner—Adir Aronovich

(74) *Attorney, Agent, or Firm*—Antonelli, Terry, Stout & Kraus, LLP

(73) Assignee: **Hitachi, Ltd.**, Tokyo (JP)

(57) **CLAIM**

(**) Term: **14 Years**

The ornamental design for a video camera with digital video disc player, as shown and described.

(21) Appl. No.: **29/176,999**

DESCRIPTION

(22) Filed: **Mar. 4, 2003**

(30) **Foreign Application Priority Data**

Dec. 13, 2002 (JP) 2002-034644

FIG. 1 is a front, top and right side perspective view of a video camera with digital video player showing our new design;

(51) **LOC (7) Cl.** **16-01**

FIG. 2 is a front, top and left side perspective view thereof;

(52) **U.S. Cl.** **D16/202**

FIG. 3 is a front elevational view thereof;

(58) **Field of Search** D16/200–206,
D16/208, 218; 348/373–376; 358/906; 396/535–541

FIG. 4 is a rear elevational view thereof;

FIG. 5 is a right side elevational view thereof;

FIG. 6 is a left side elevational view thereof;

FIG. 7 is a top plan view thereof;

FIG. 8 is a bottom plan view thereof;

FIG. 9 is a right side elevational view showing the condition that the liquid crystal monitor was opened thereof; and,

FIG. 10 is a rear elevational view showing the condition that the liquid crystal monitor was opened thereof.

(56) **References Cited**

U.S. PATENT DOCUMENTS

5,739,859 A * 4/1998 Hattori et al. 348/375
D414,792 S * 10/1999 Harata D16/202
D435,574 S * 12/2000 Miyashita 16/202
D435,575 S * 12/2000 Kanatani D16/202

1 Claim, 5 Drawing Sheets

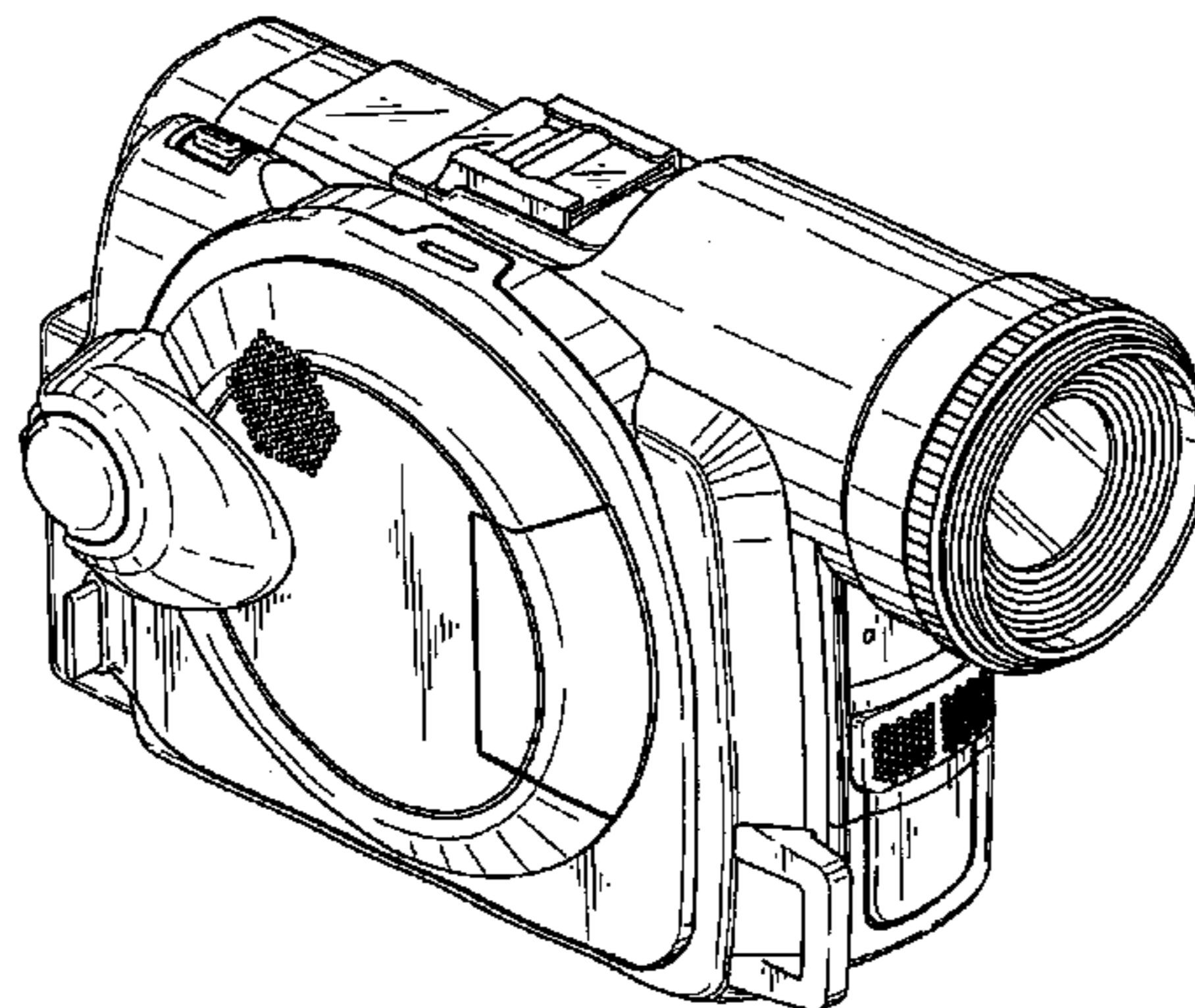
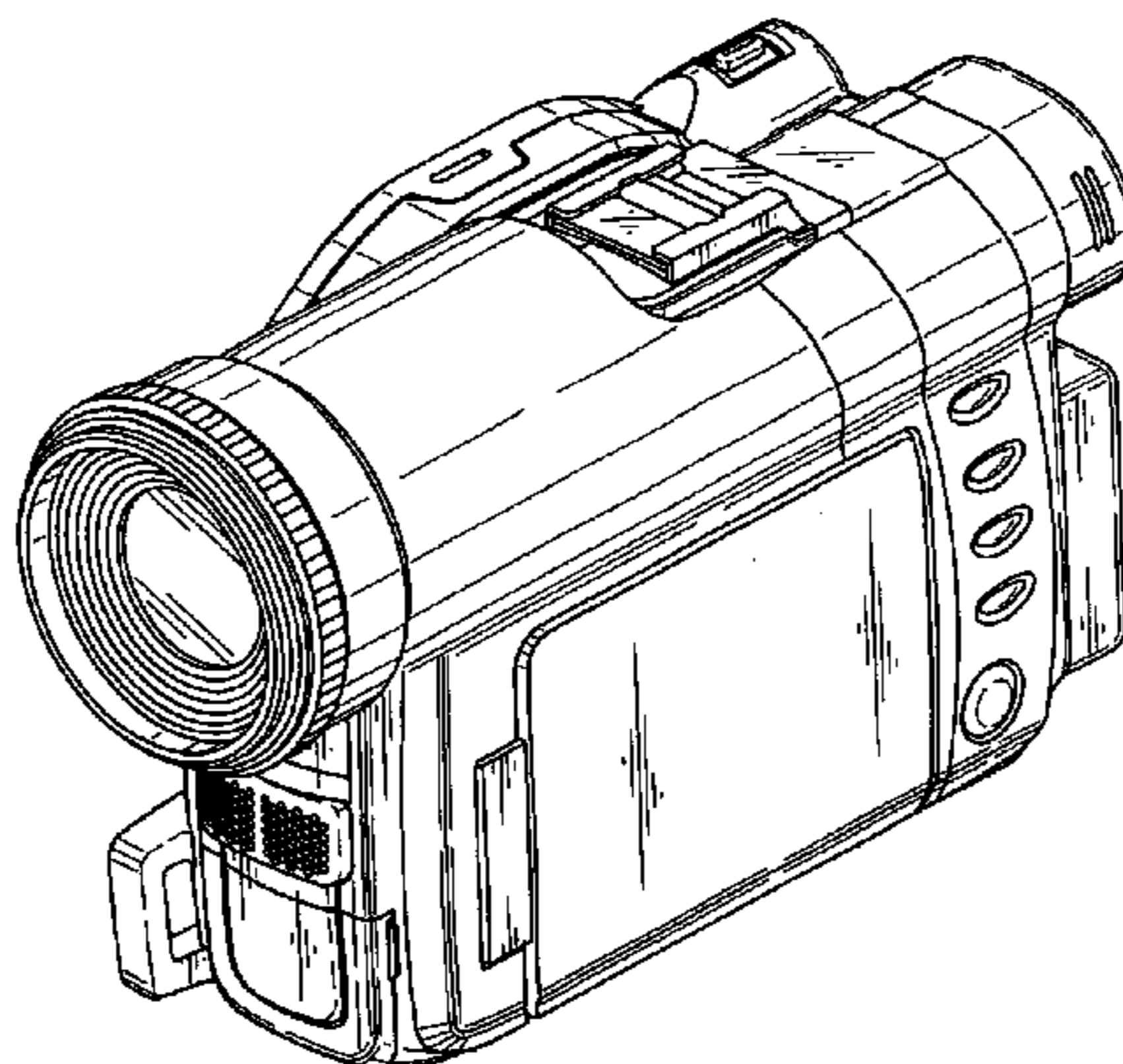


FIG. 1

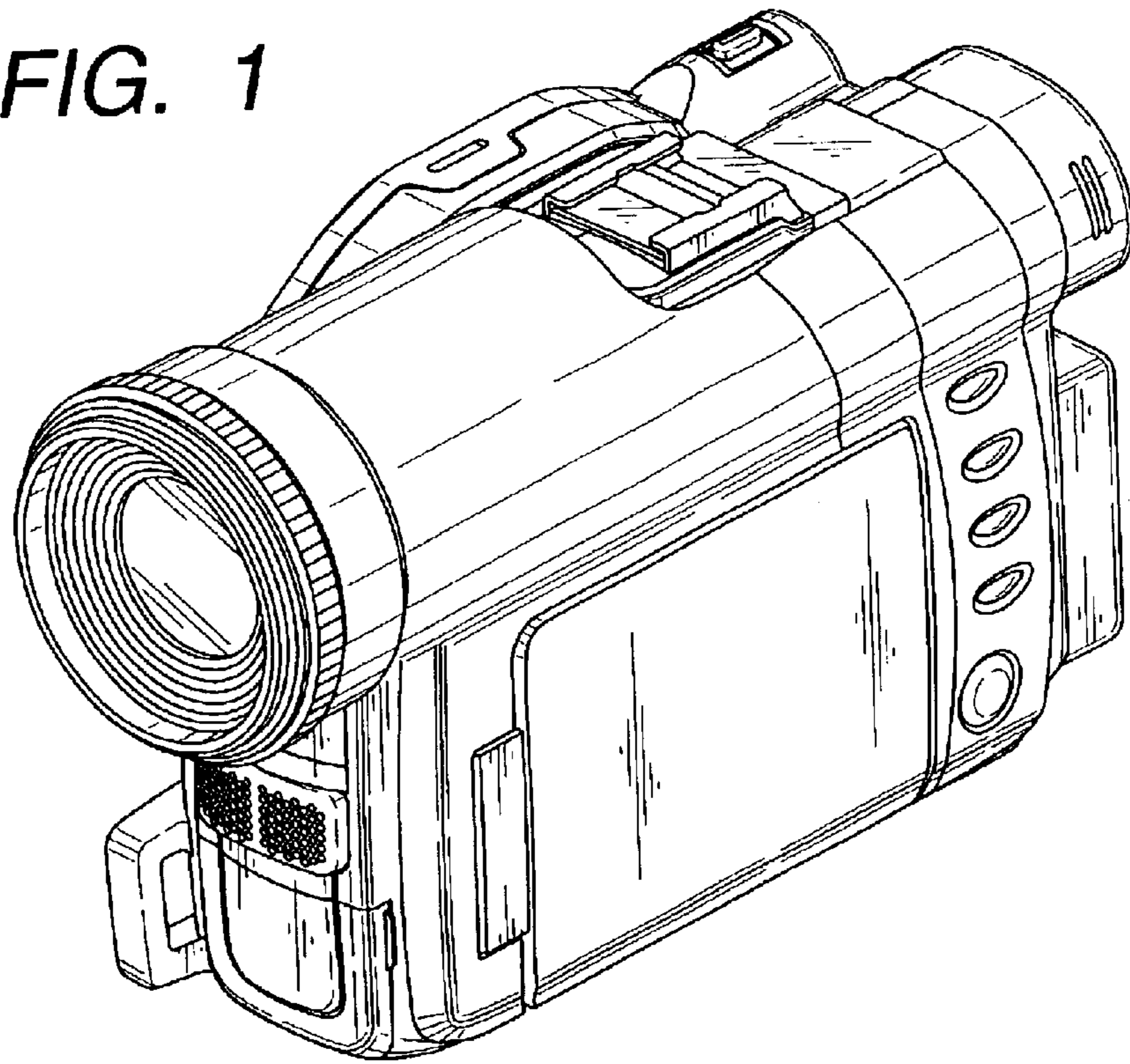


FIG. 2

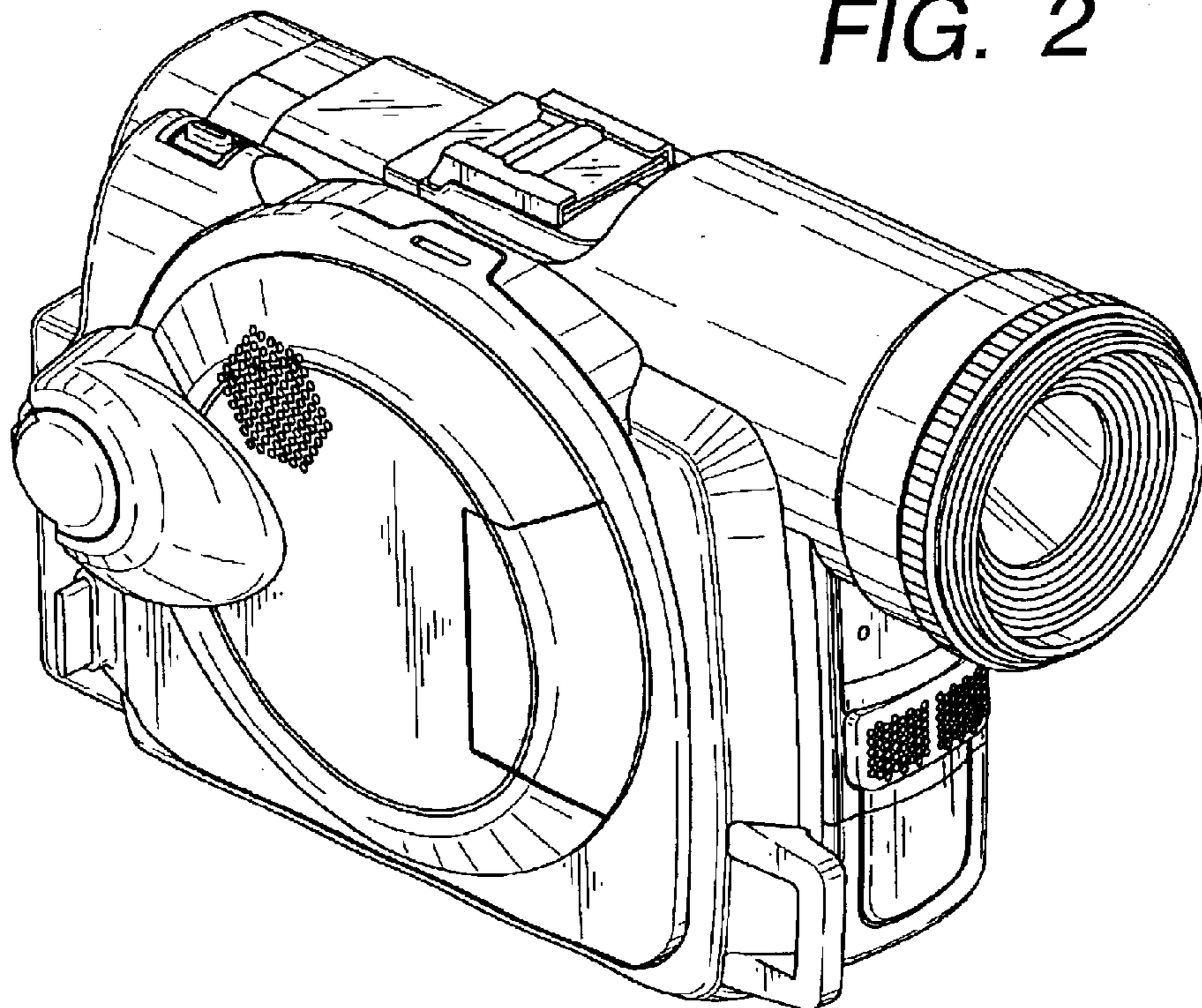


FIG. 3

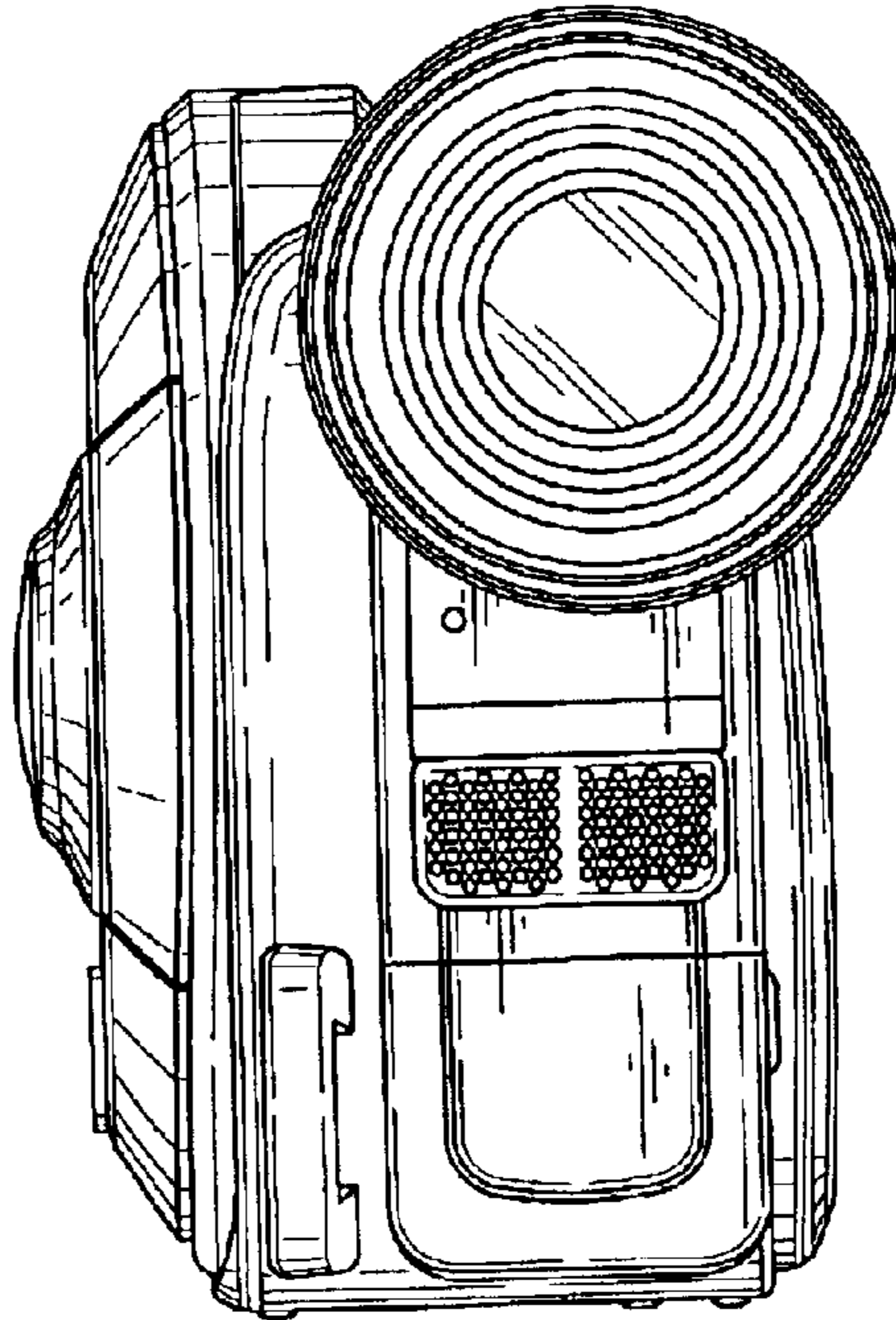


FIG. 4

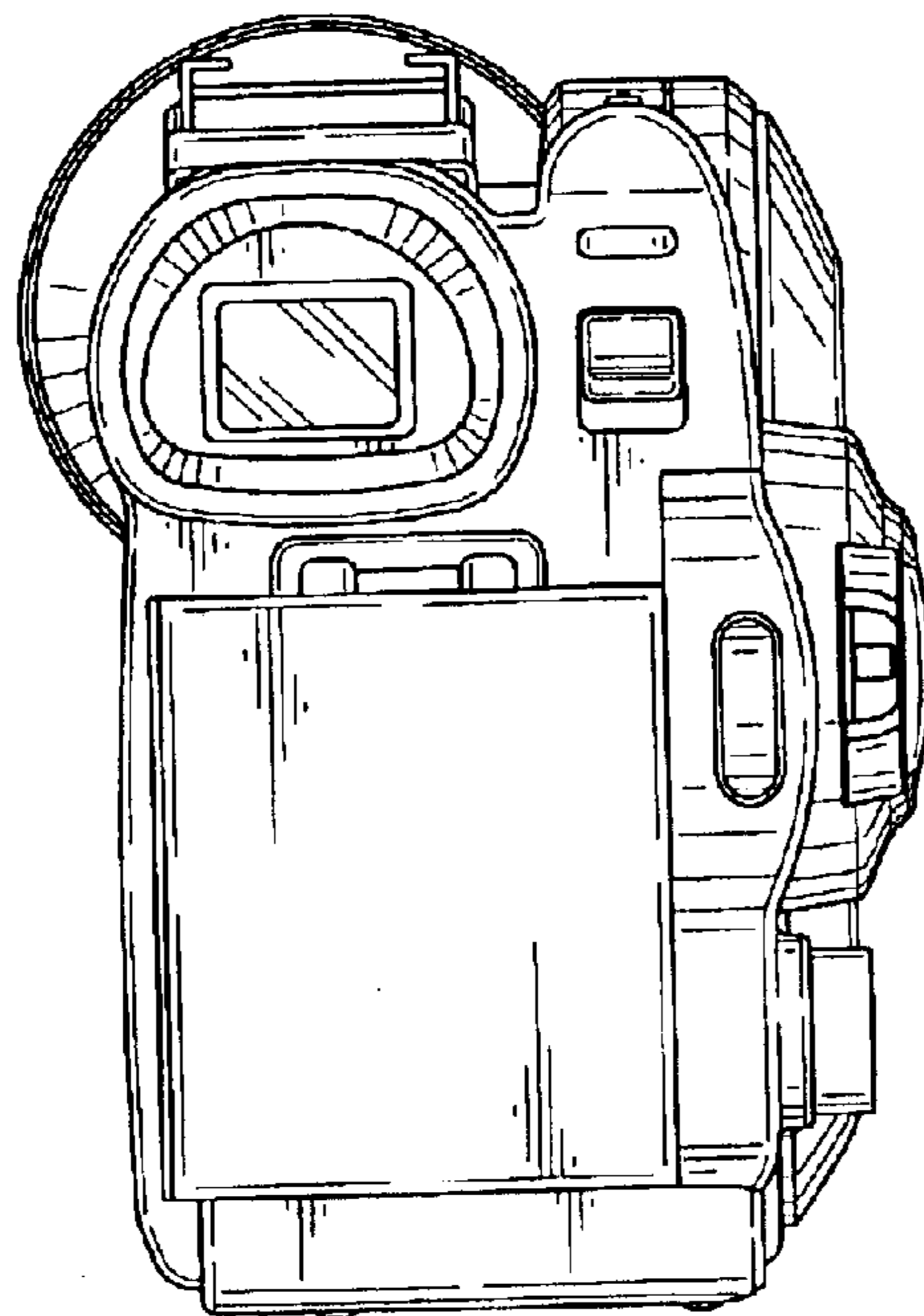


FIG. 5

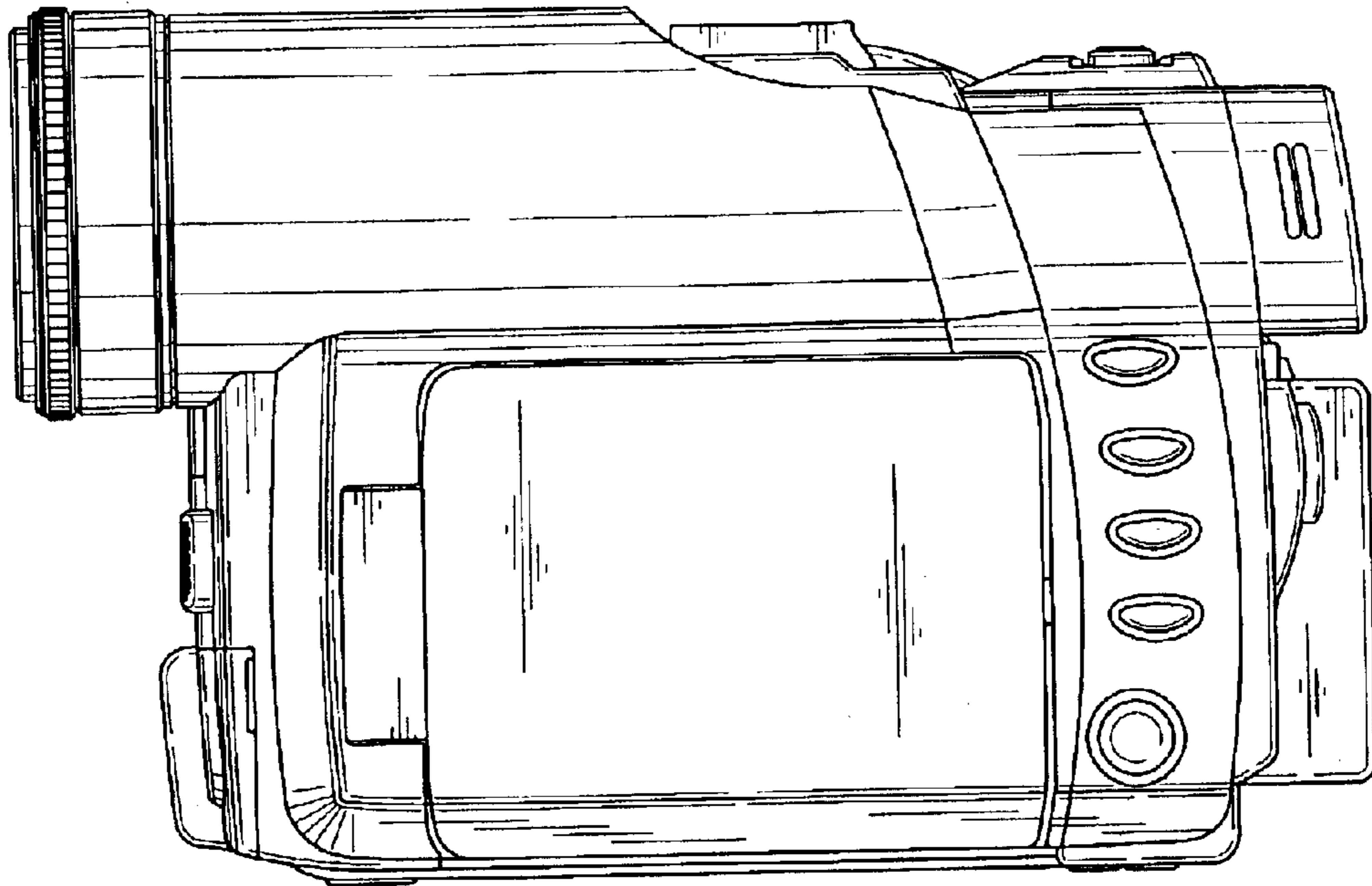


FIG. 6

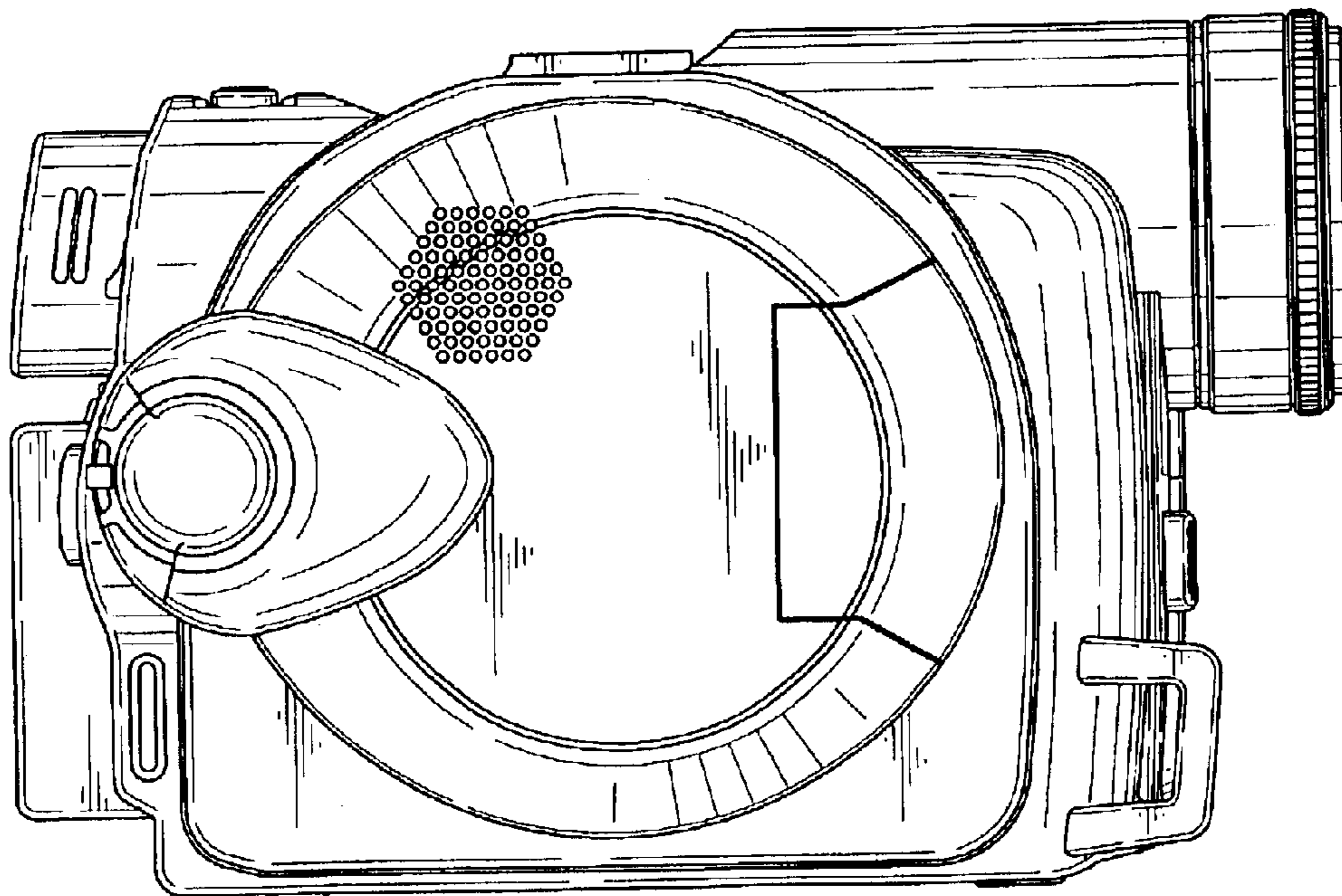


FIG. 7

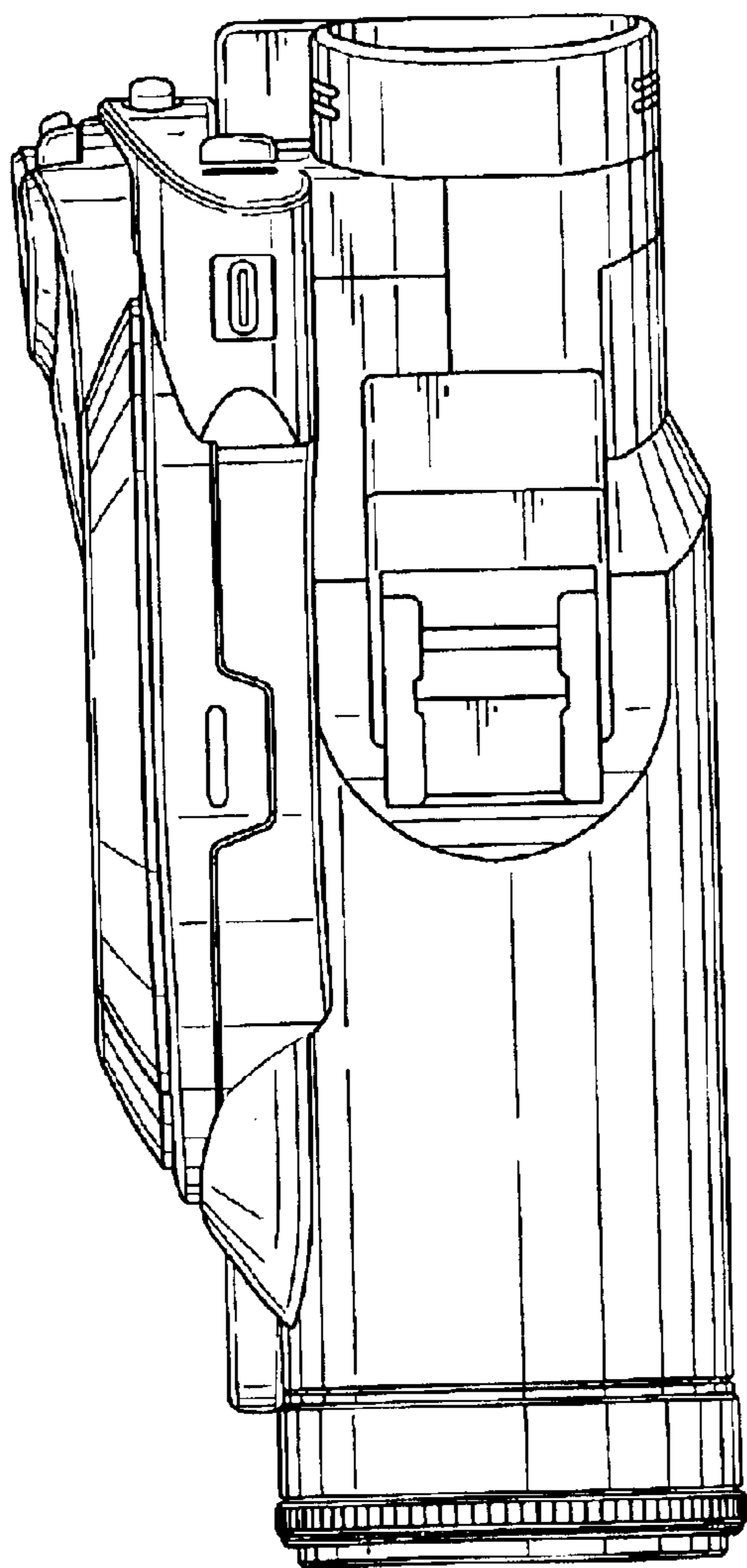


FIG. 8

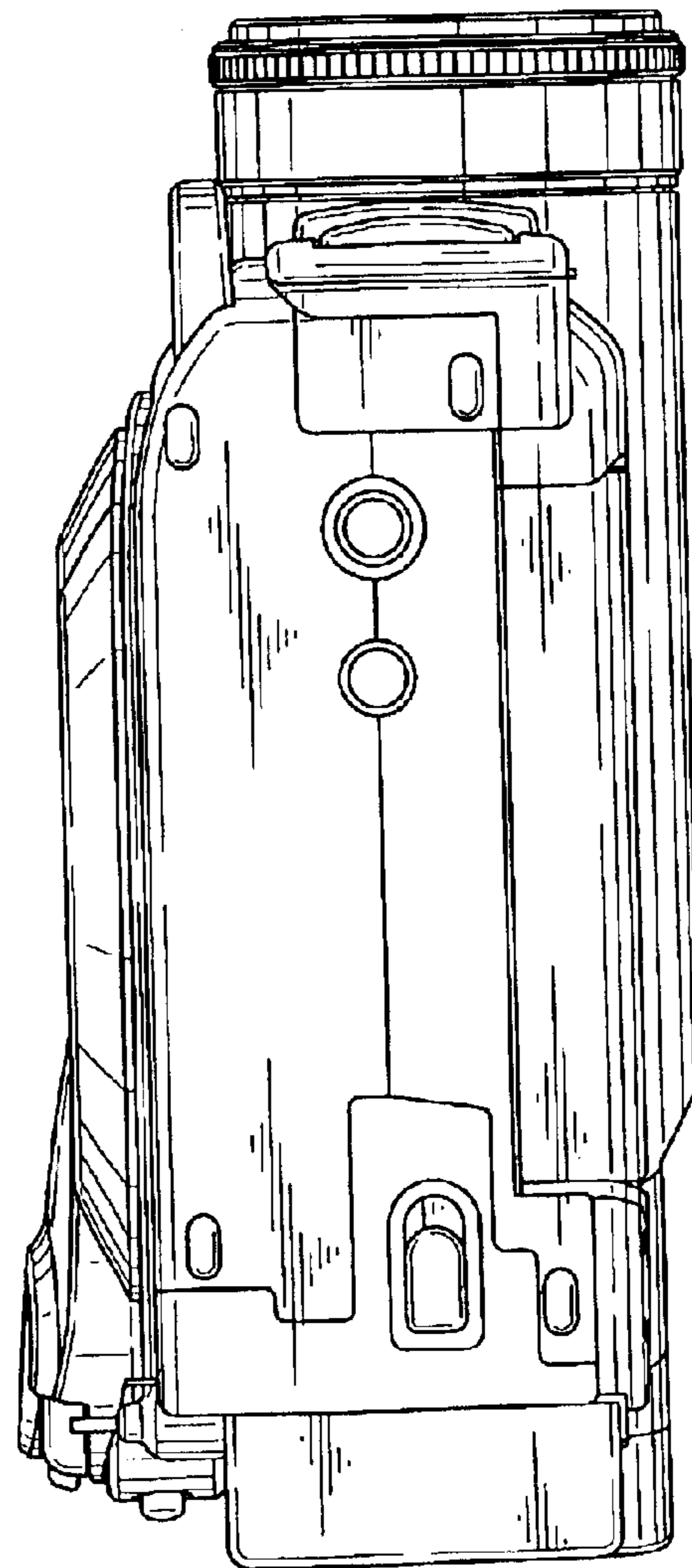


FIG. 9

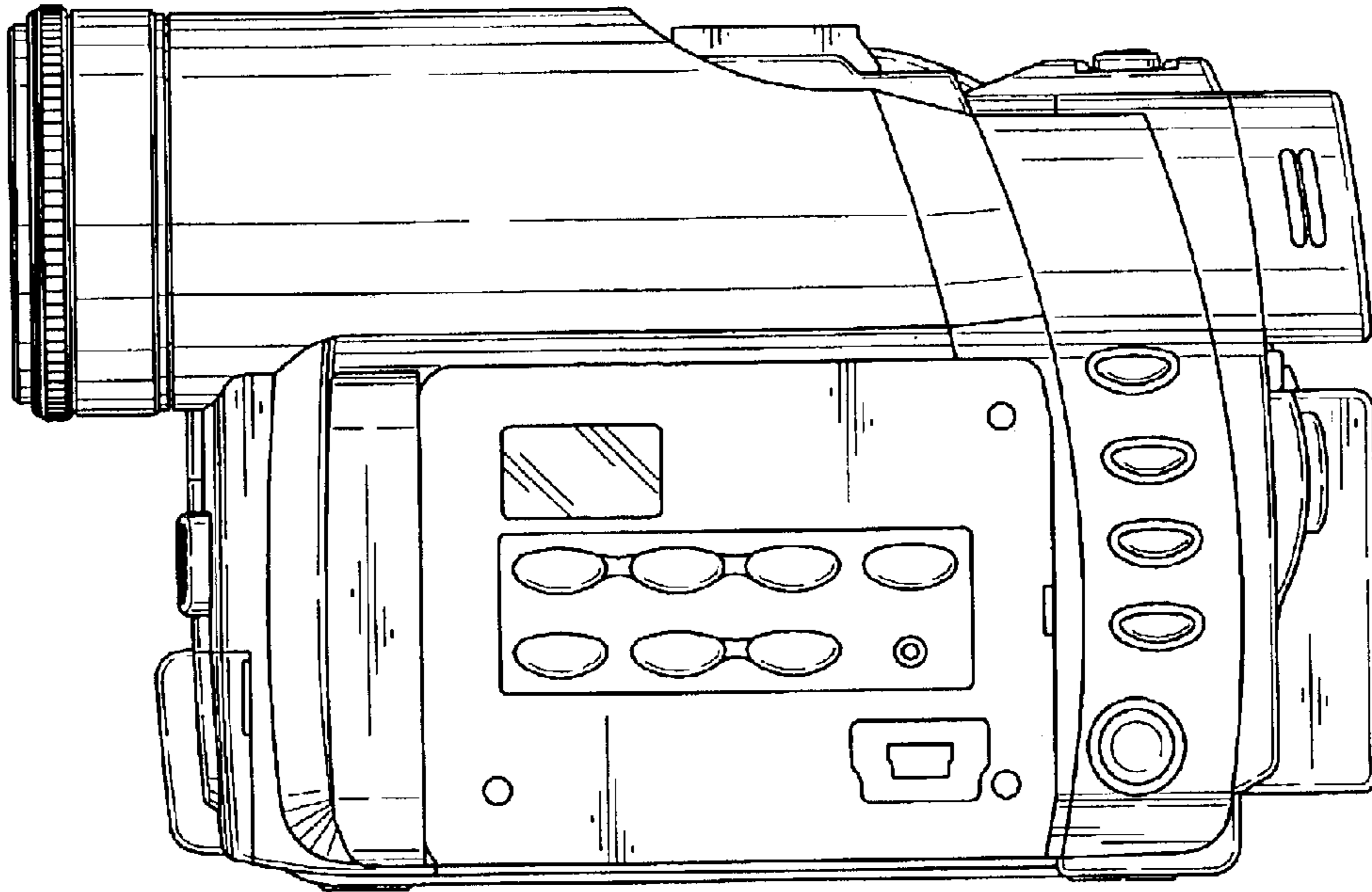


FIG. 10

