

US00D491962S1

(12) **United States Design Patent**
Laga

(10) **Patent No.:** **US D491,962 S**
(45) **Date of Patent:** **** Jun. 22, 2004**

- (54) **CLAMPING TABLE**
- (75) **Inventor:** **Kenneth Laga**, Emmaus, PA (US)
- (73) **Assignee:** **Lehigh Consumer Products Corporation**, Macungie, PA (US)
- (**) **Term:** **14 Years**
- (21) **Appl. No.:** **29/182,571**
- (22) **Filed:** **May 28, 2003**
- (51) **LOC (7) Cl.** **15-09**
- (52) **U.S. Cl.** **D15/141; D6/400**
- (58) **Field of Search** **D15/140-141; D6/400, 480-489, 511, 349, 353, 429, 495-499; 108/161, 127, 33-49; 248/188.6; 269/901, 329; 144/306, 285**

- 4,475,727 A * 10/1984 Goulter 269/88
- D351,847 S * 10/1994 Noniewicz D15/141
- 5,862,731 A * 1/1999 Chen 83/467.1
- D461,330 S * 8/2002 Wang D6/400

* cited by examiner

Primary Examiner—Antoine D. Davis

(74) *Attorney, Agent, or Firm*—Gauthier and Connors LLP

(57) **CLAIM**

The ornamental design for a clamping table, as shown and described.

DESCRIPTION

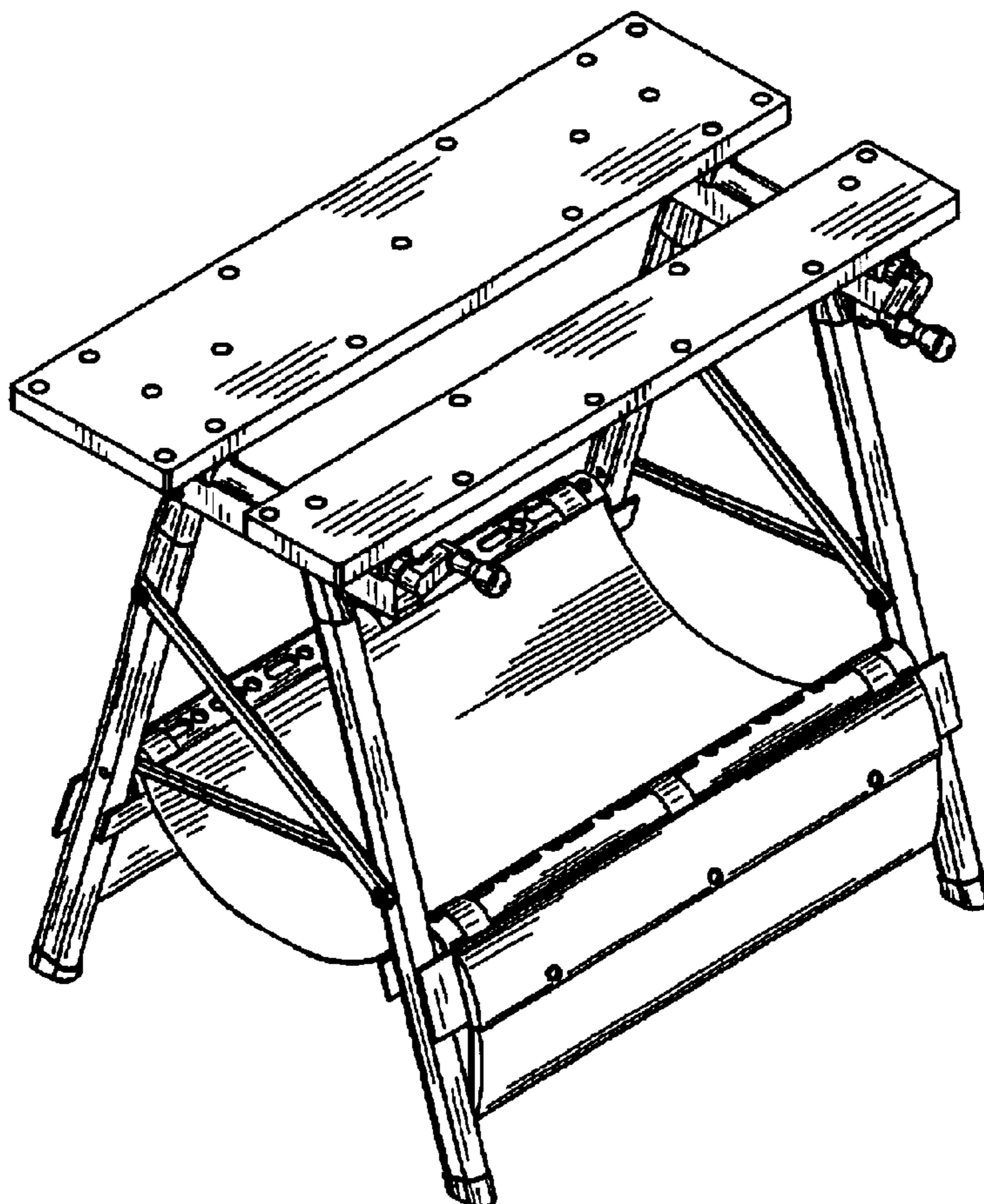
FIG. 1 is a front perspective view of a clamping table, showing my new design;
FIG. 2 is a top view;
FIG. 3 is a rear view
FIG. 4 is a left side view;
FIG. 5 is a front view;
FIG. 6 is a right side view; and,
FIG. 7 is a bottom view.

(56) **References Cited**

U.S. PATENT DOCUMENTS

- 4,314,782 A * 2/1982 Beekenkamp 408/16
- 4,362,196 A * 12/1982 Ferdinand et al. 144/286.1

1 Claim, 2 Drawing Sheets



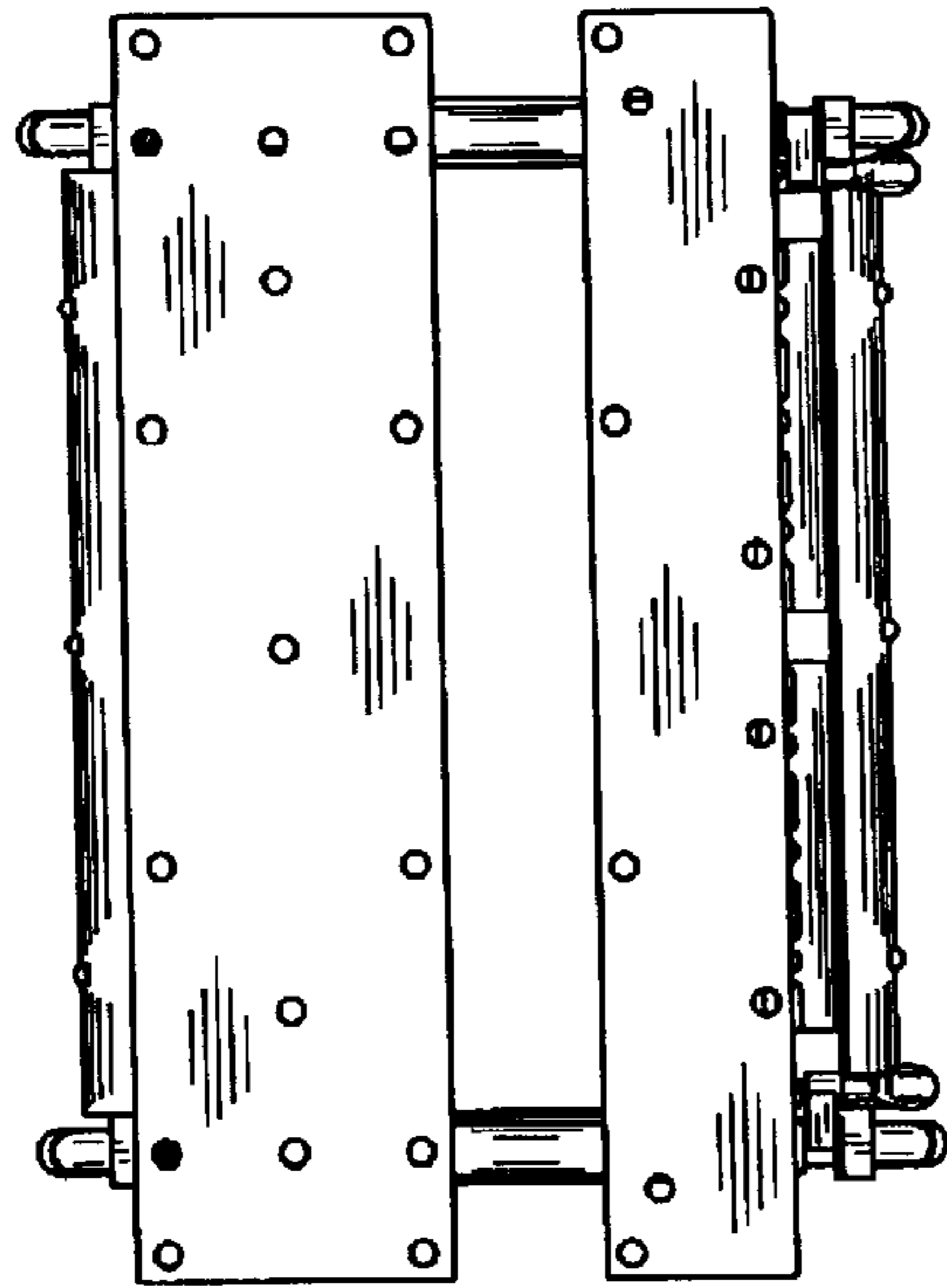


FIG. 2

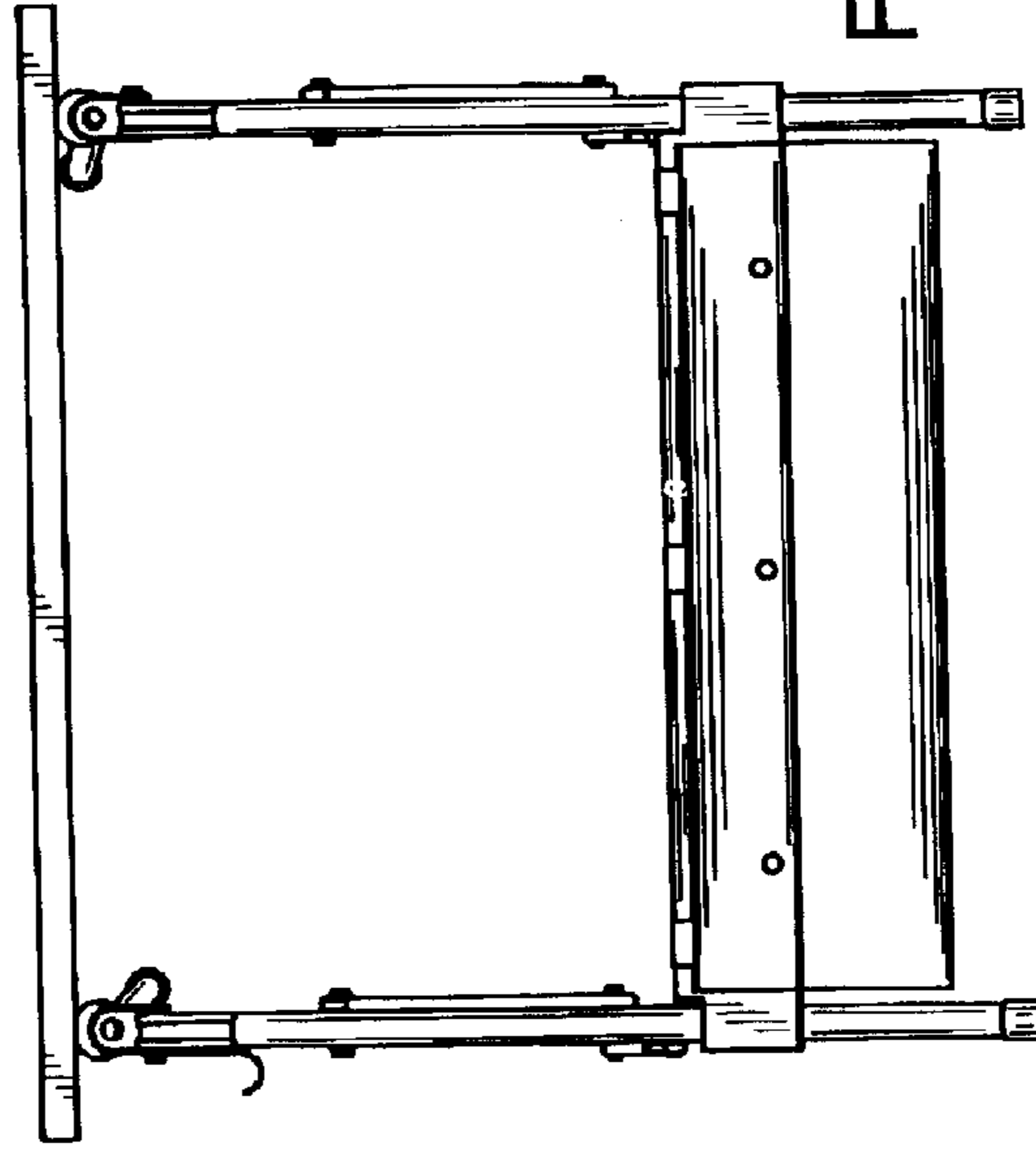


FIG. 3

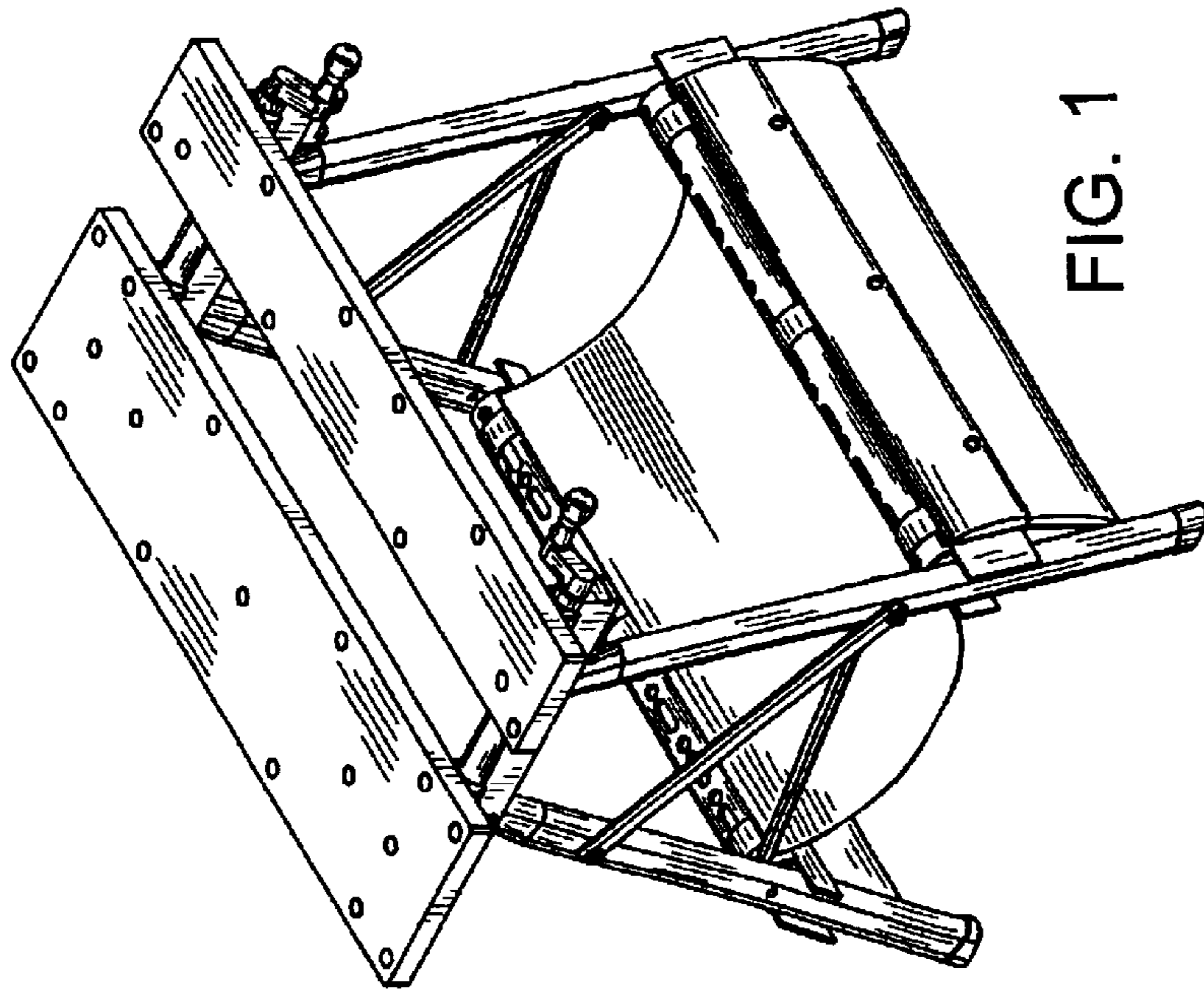


FIG. 1

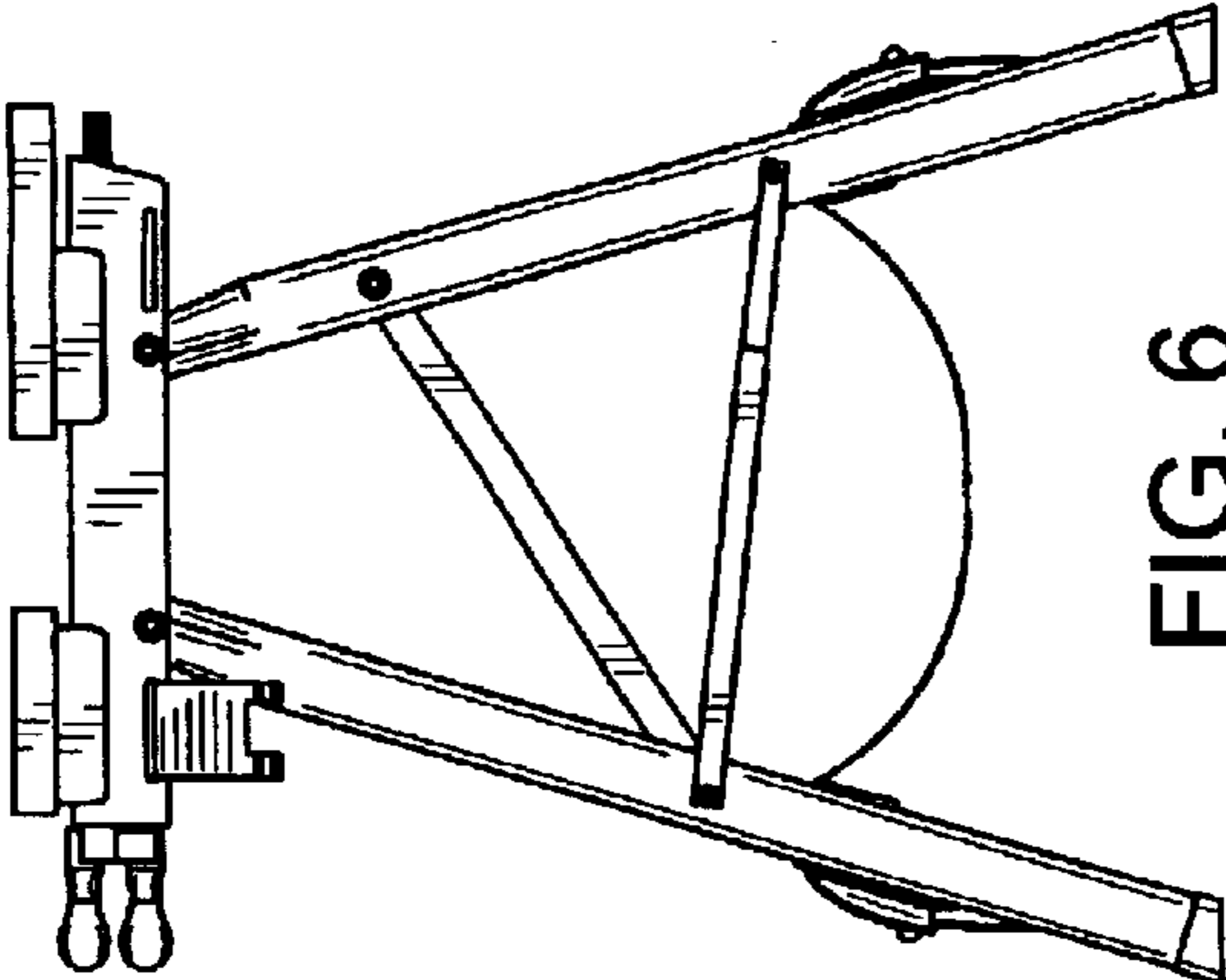


FIG. 6

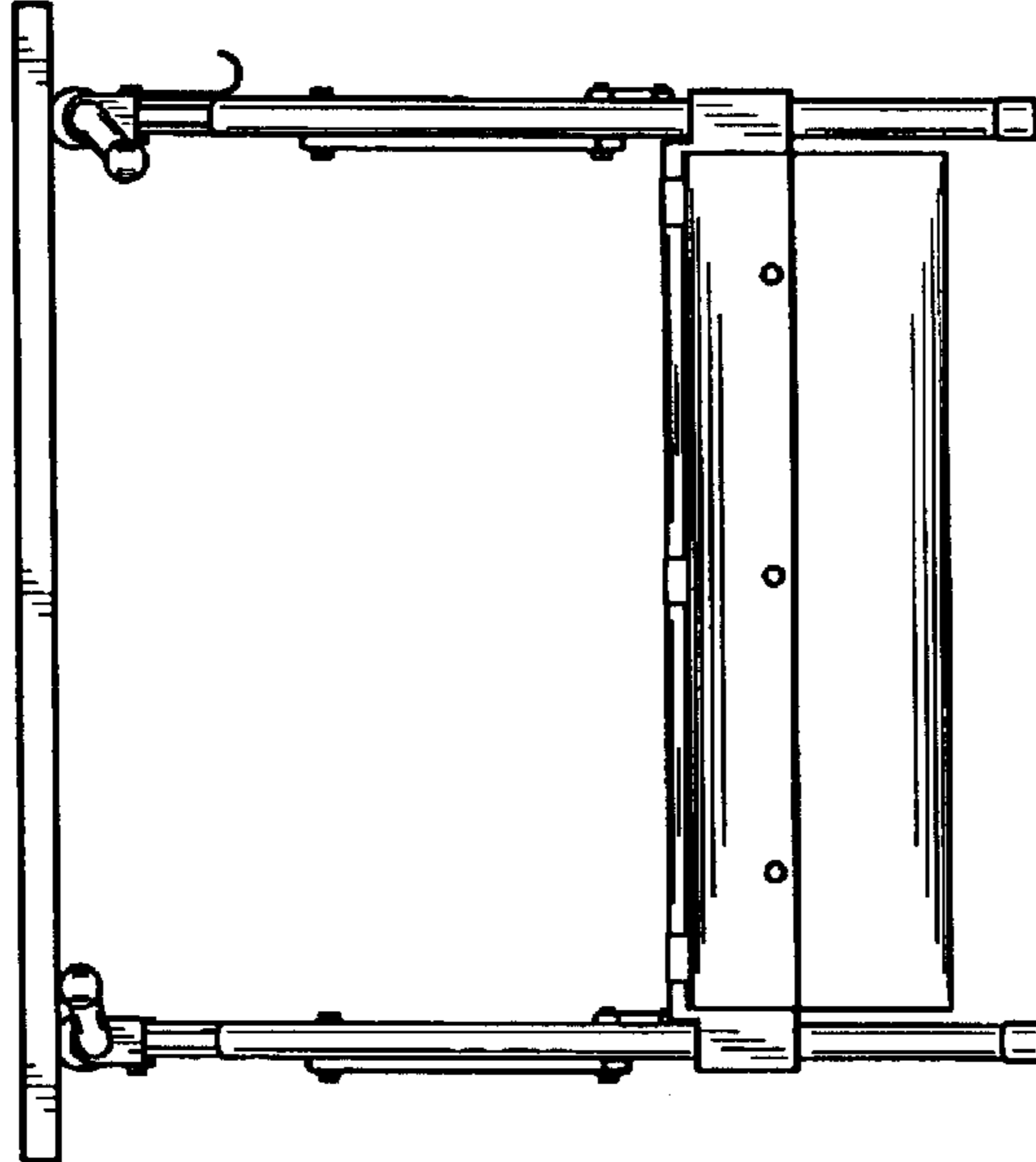


FIG. 5

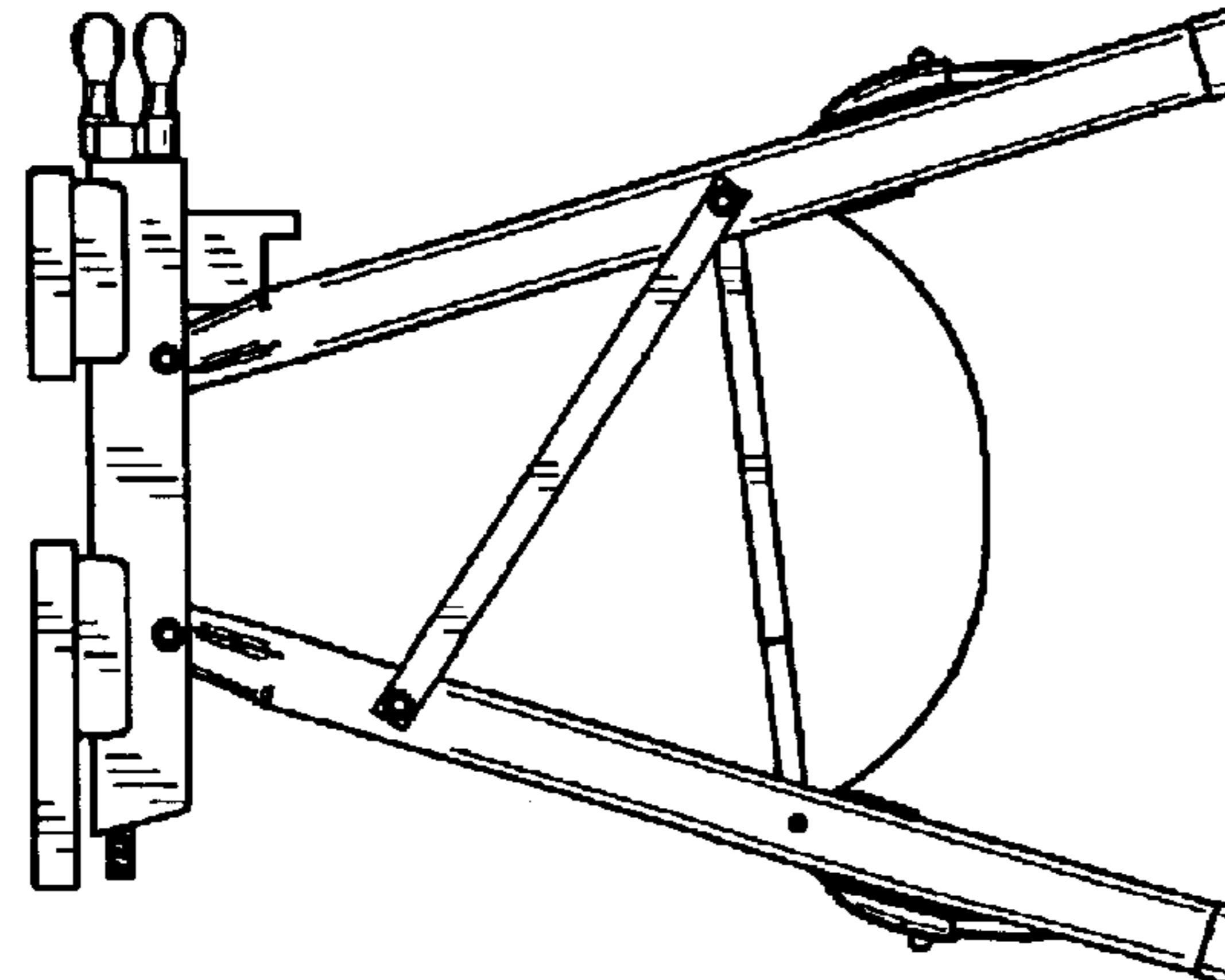


FIG. 4

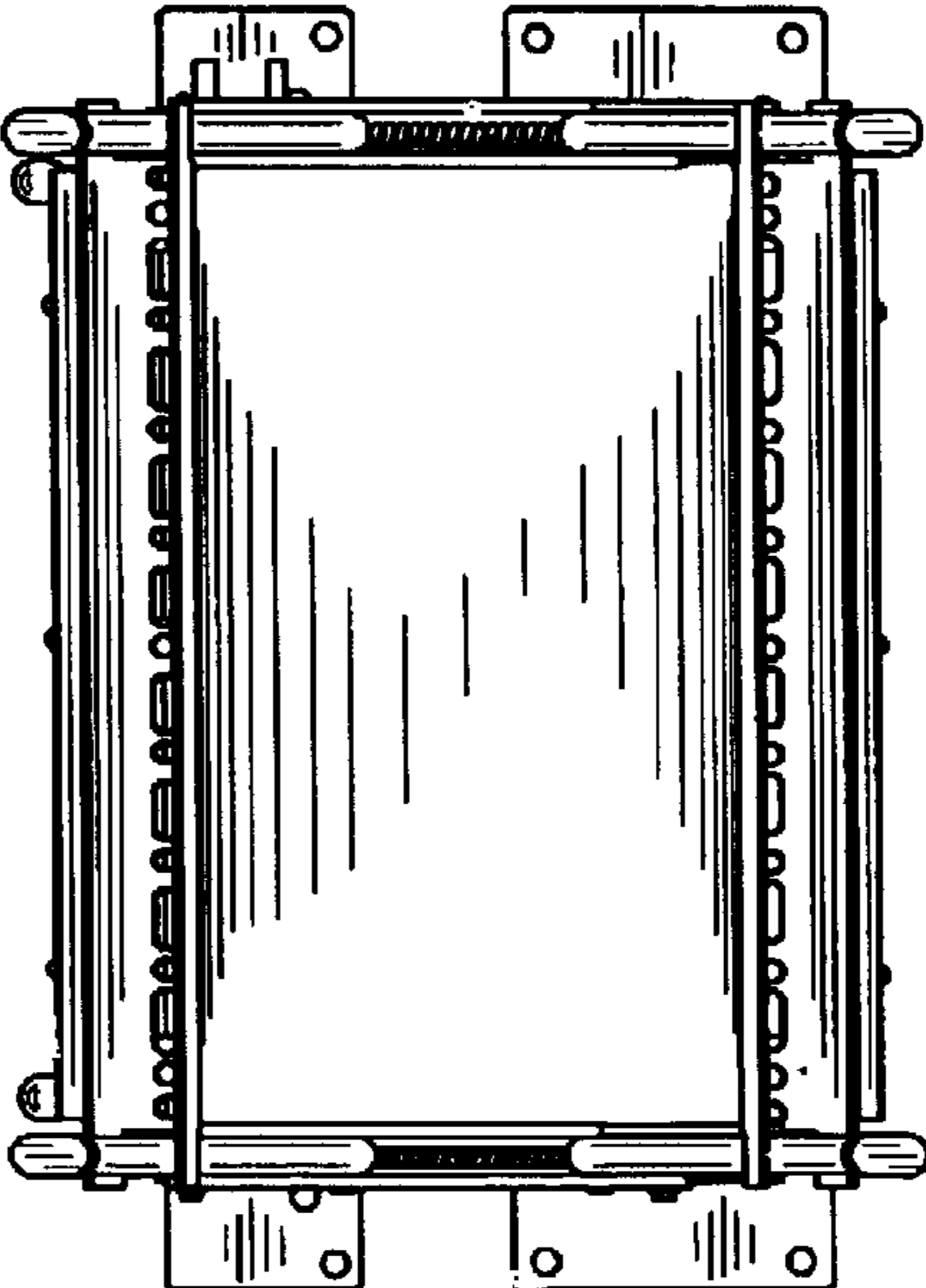


FIG. 7