

US00D491959S1

(12) **United States Design Patent**
Yuen

(10) **Patent No.:** **US D491,959 S**
(45) **Date of Patent:** **** Jun. 22, 2004**

(54) **SOLID STATE TRAVEL REFRIGERATOR**

(74) *Attorney, Agent, or Firm*—Alix, Yale & Ristas, LLP

(75) **Inventor:** **John Se Kit Yuen, Kowloon (CN)**

(57) **CLAIM**

(73) **Assignee:** **John Manufacturing Limited, Kowloon (CN)**

The ornamental design for a solid state travel refrigerator, as shown and described.

(**) **Term:** **14 Years**

DESCRIPTION

(21) **Appl. No.:** **29/186,413**

FIG. 1 is a front view of the solid state travel refrigerator showing my new design;

(22) **Filed:** **Jul. 15, 2003**

FIG. 2 is a rear view of the solid state travel refrigerator of FIG. 1;

(30) **Foreign Application Priority Data**

Jan. 17, 2003 (GB) 3010154

FIG. 3 is a top plan view of the solid state travel refrigerator of FIG. 1;

(51) **LOC (7) Cl.** **15-07**

FIG. 4 is a bottom plan view of the solid state travel refrigerator of FIG. 1;

(52) **U.S. Cl.** **D15/83**

FIG. 5 is a left side view of the solid state travel refrigerator of FIG. 1;

(58) **Field of Search** D15/79-91; 312/236, 312/401, 406, 407, 328; 62/440, 457, 297, 238.1, 457.7, 331; D12/419, 424

FIG. 6 is a right side view of the solid state travel refrigerator of FIG. 1;

(56) **References Cited**

U.S. PATENT DOCUMENTS

D161,975 S	*	2/1951	Thomars	D15/85
D256,587 S	*	8/1980	Tatsumi	D15/83
D267,323 S	*	12/1982	Ogiwara	D15/83
D444,120 S	*	6/2001	Smith	D12/419
D478,102 S	*	8/2003	Utsugi	D15/83

FIG. 7 is a perspective view from above of the solid state travel refrigerator of FIG. 1;

FIG. 8 is a perspective view from below of the solid state travel refrigerator of FIG. 1;

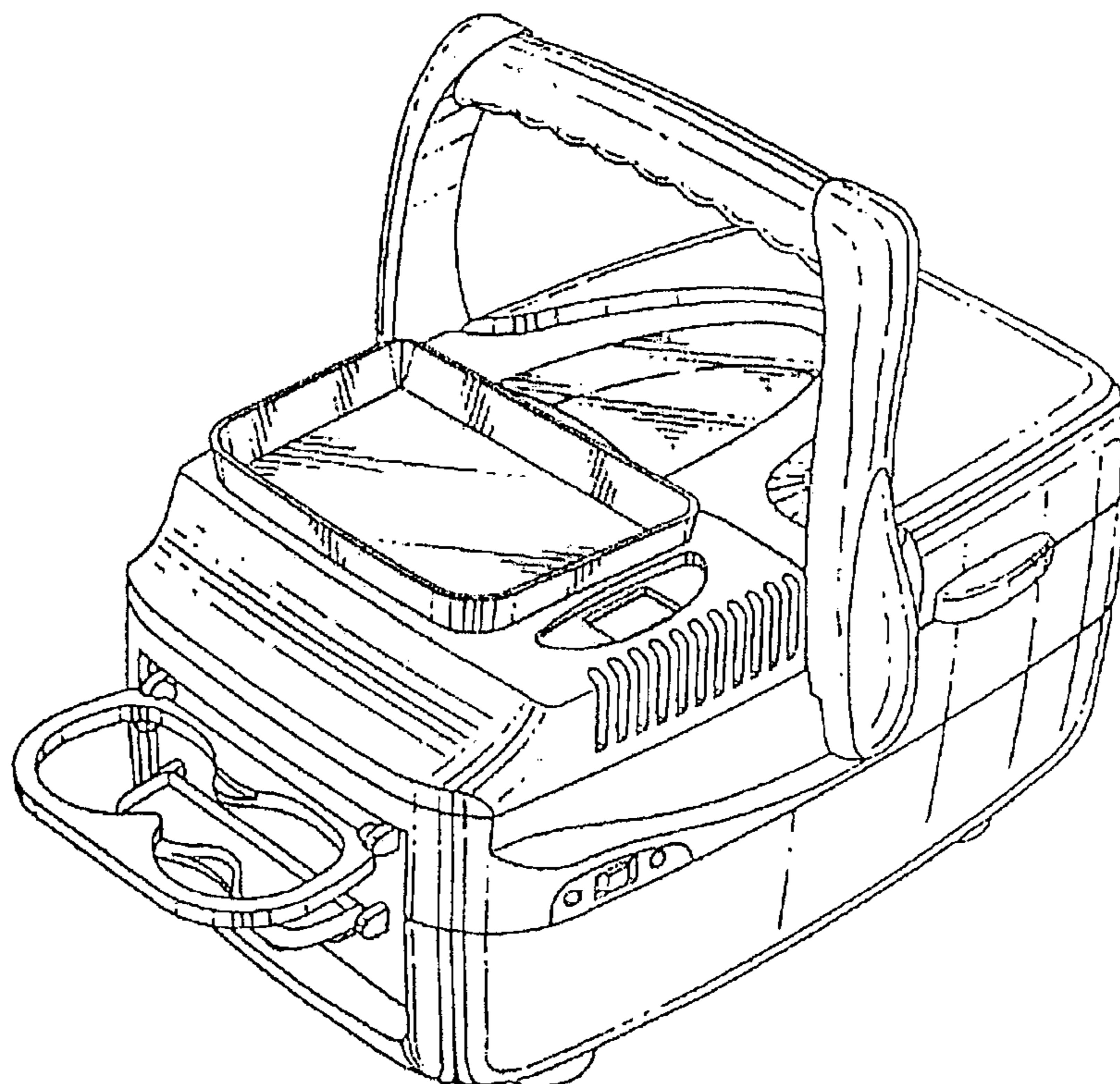
FIG. 9 is a perspective view from above of the solid state travel refrigerator of FIG. 1 with a handle and a cup holder in alternative positions; and,

FIG. 10 is a perspective view from above of the solid state travel refrigerator of FIG. 1 with a door in an alternative position.

* cited by examiner

Primary Examiner—Mitchell Siegel

1 Claim, 9 Drawing Sheets



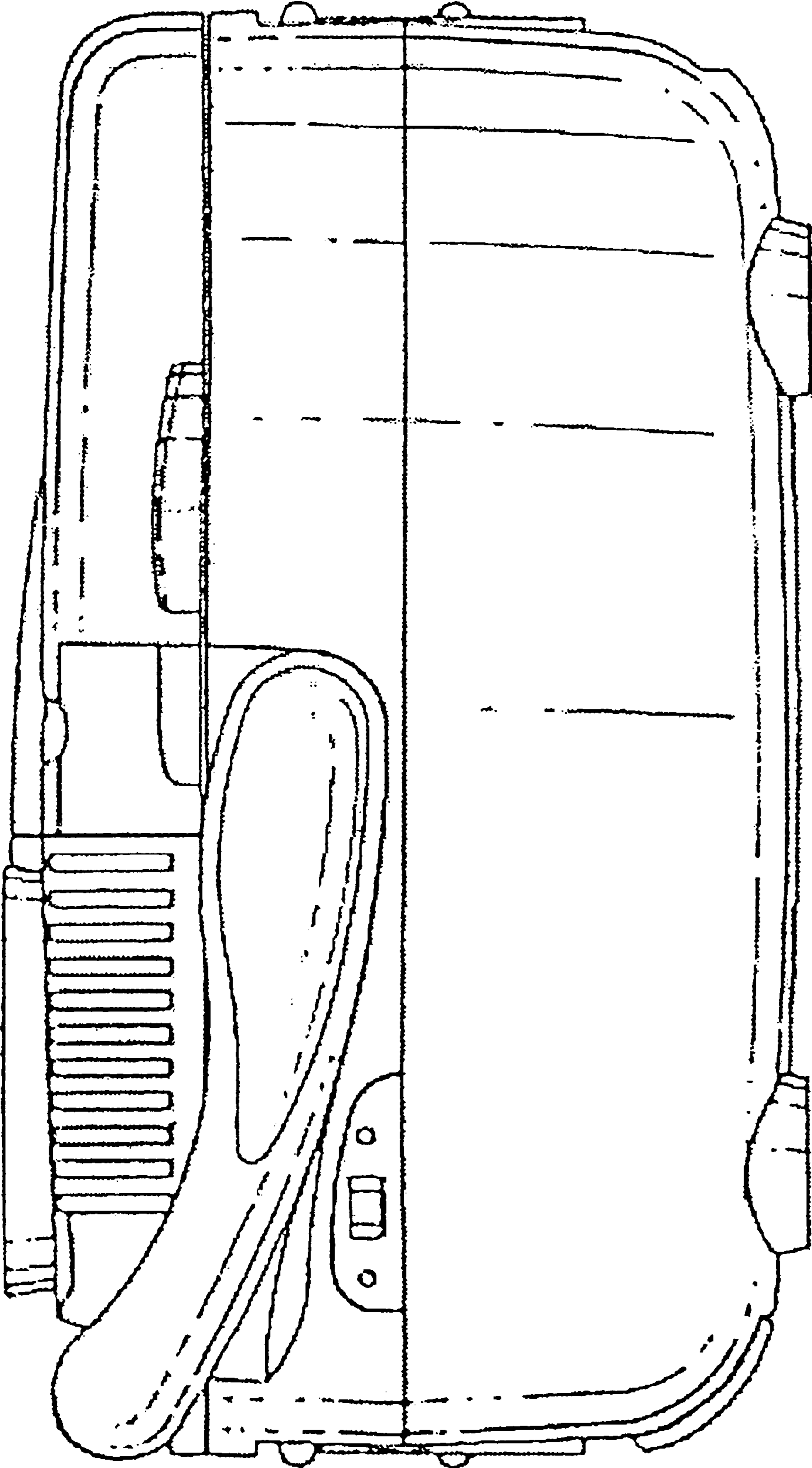


Figure 1

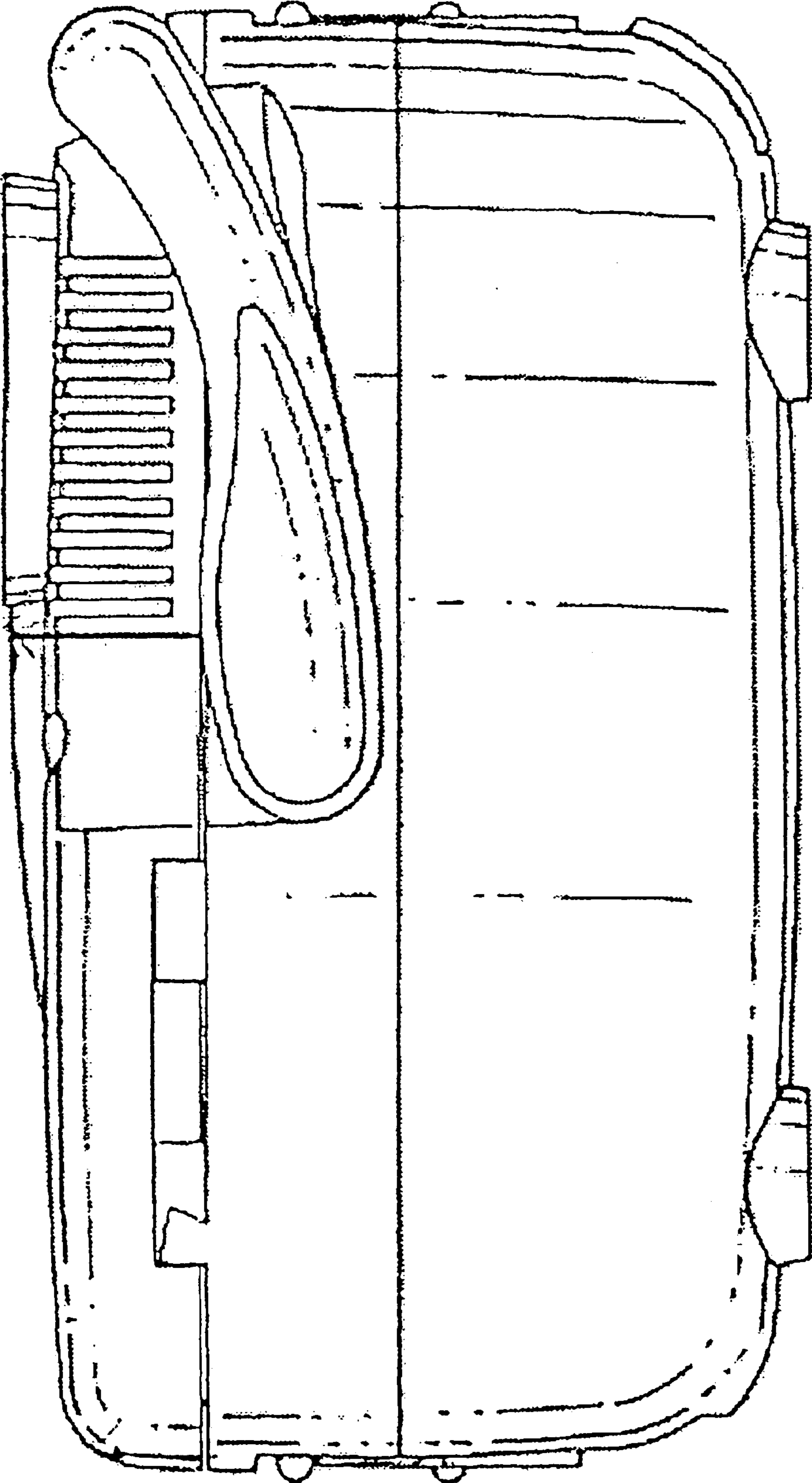


Figure 2

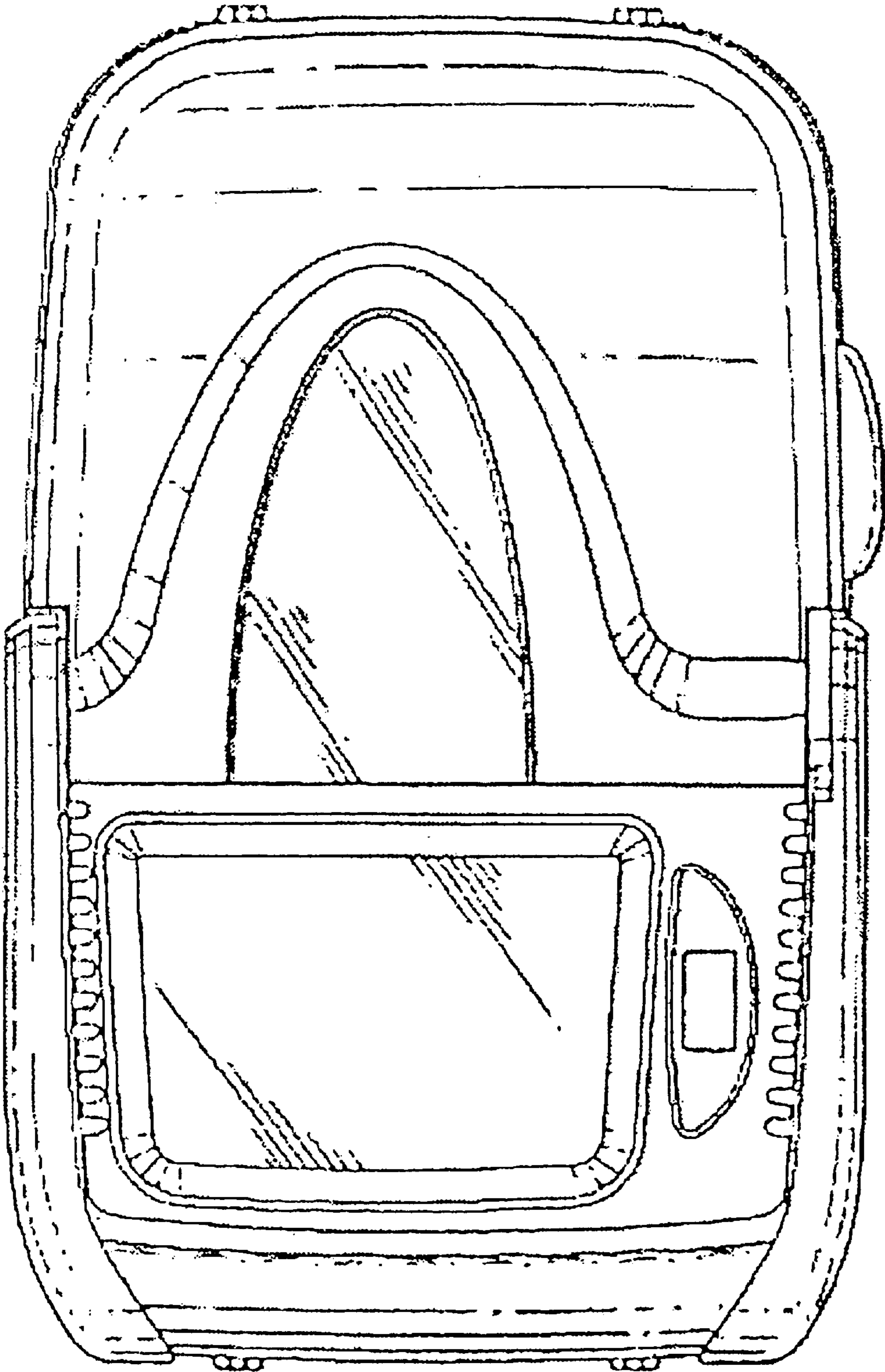


Figure 3

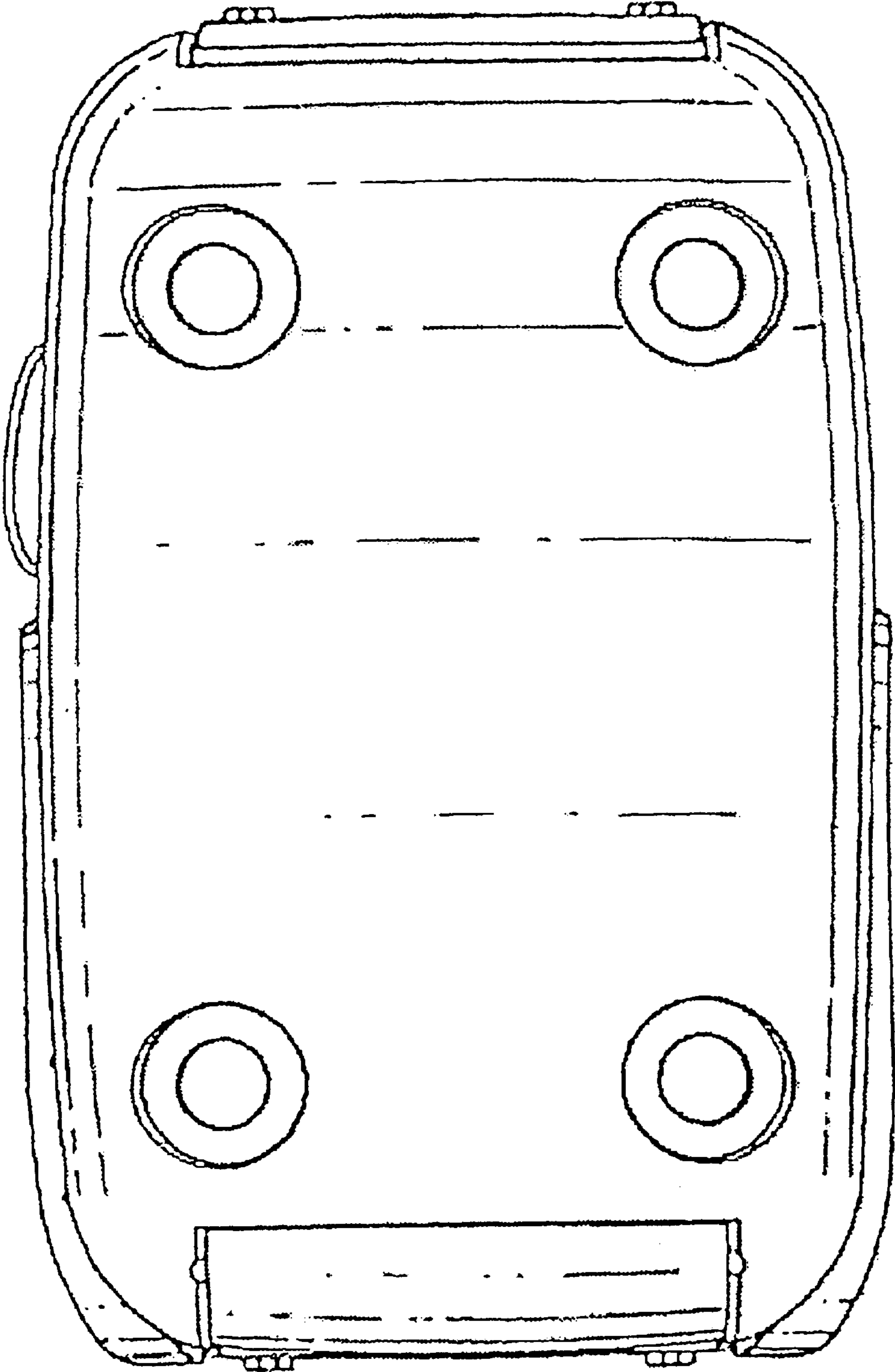


Figure 4

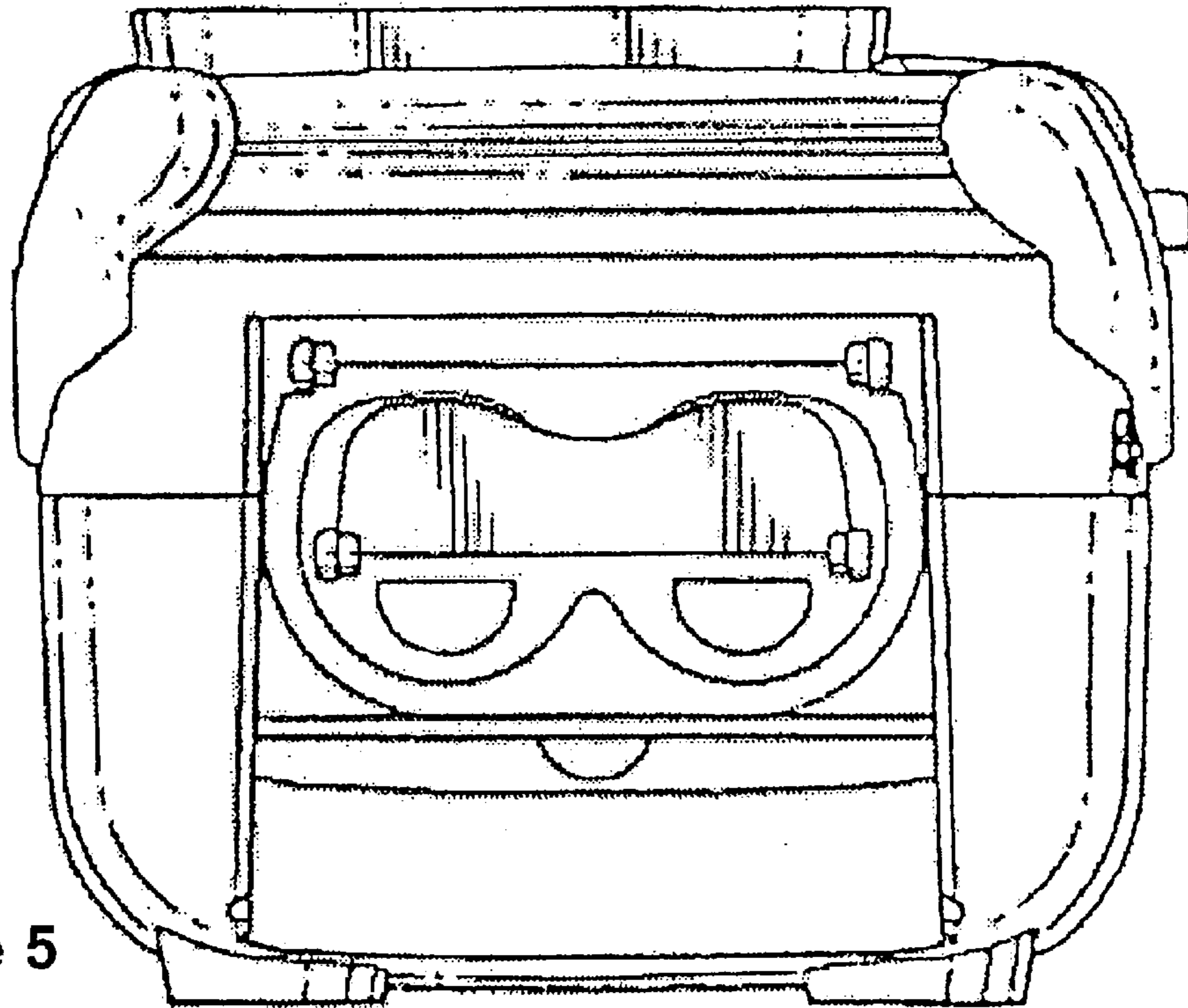


Figure 5

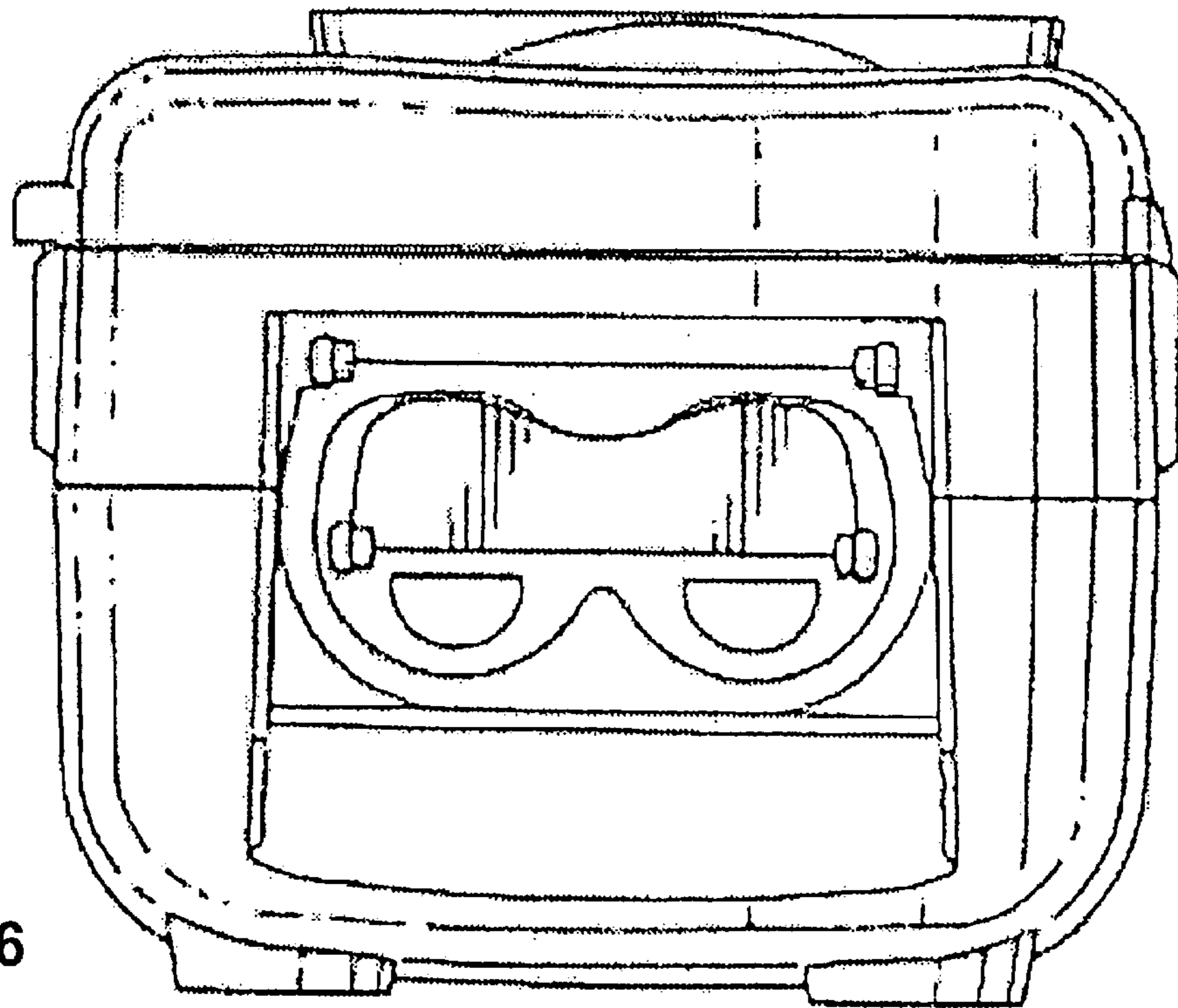


Figure 6

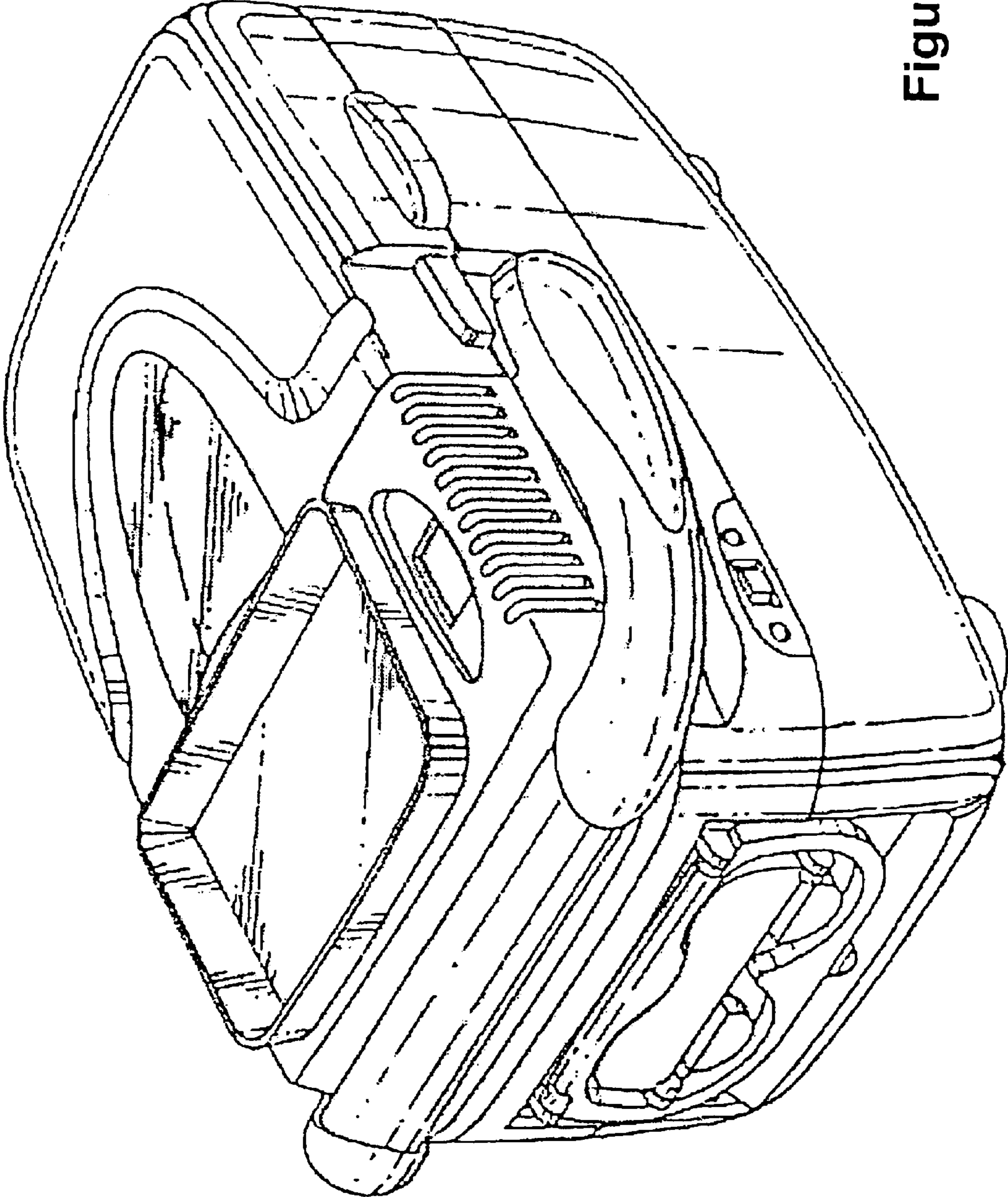


Figure 7

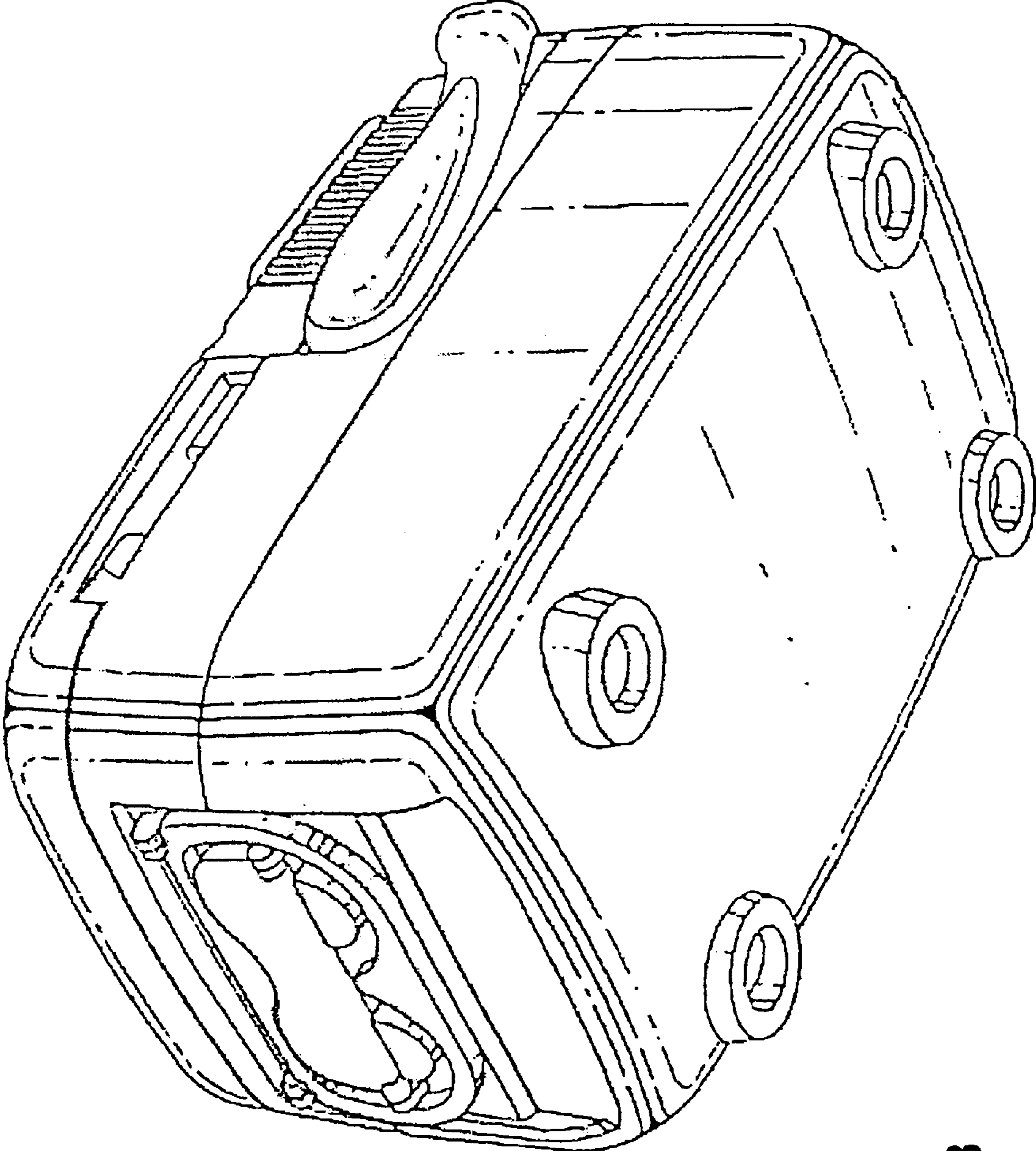


Figure 8

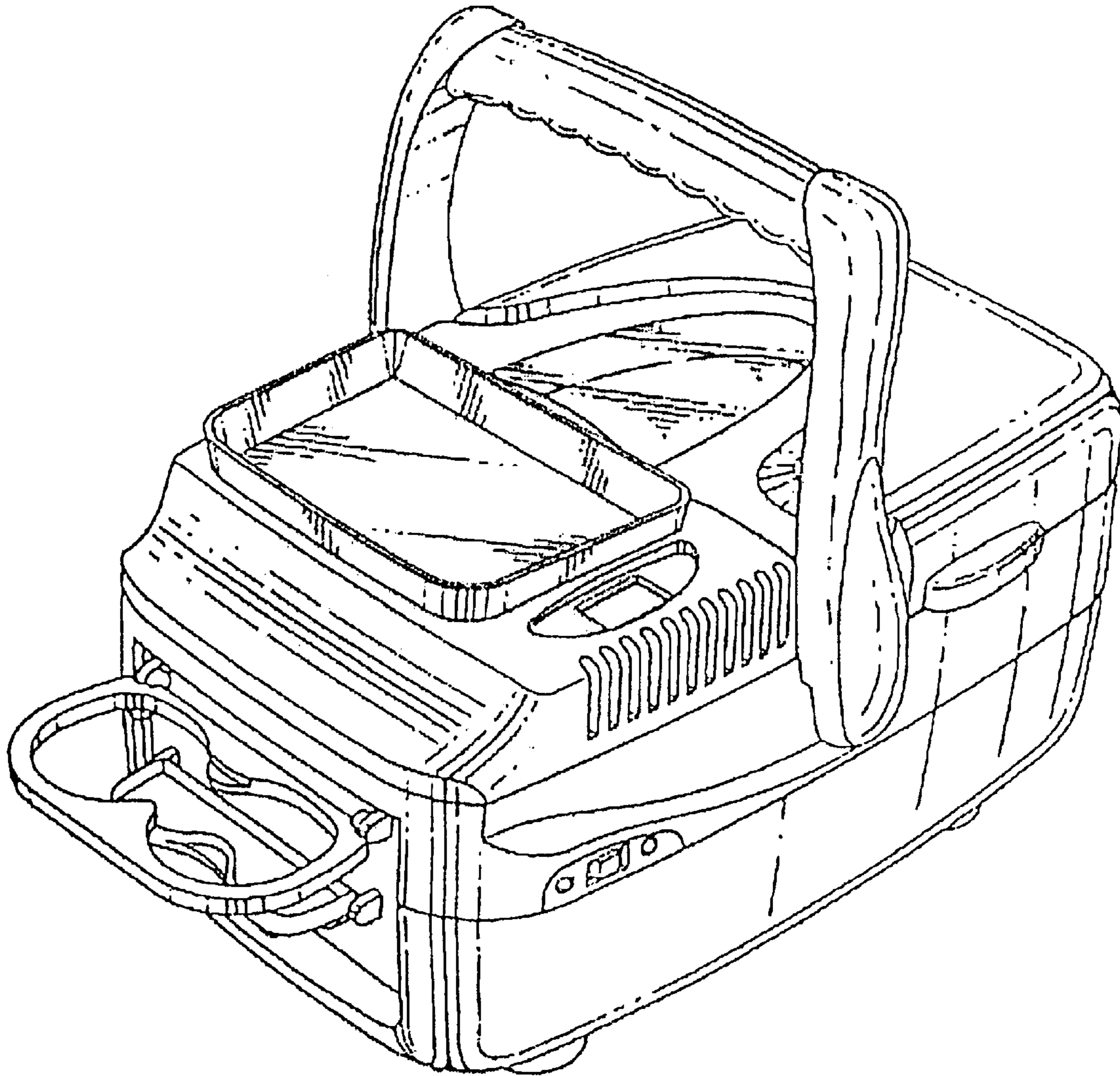


Figure 9

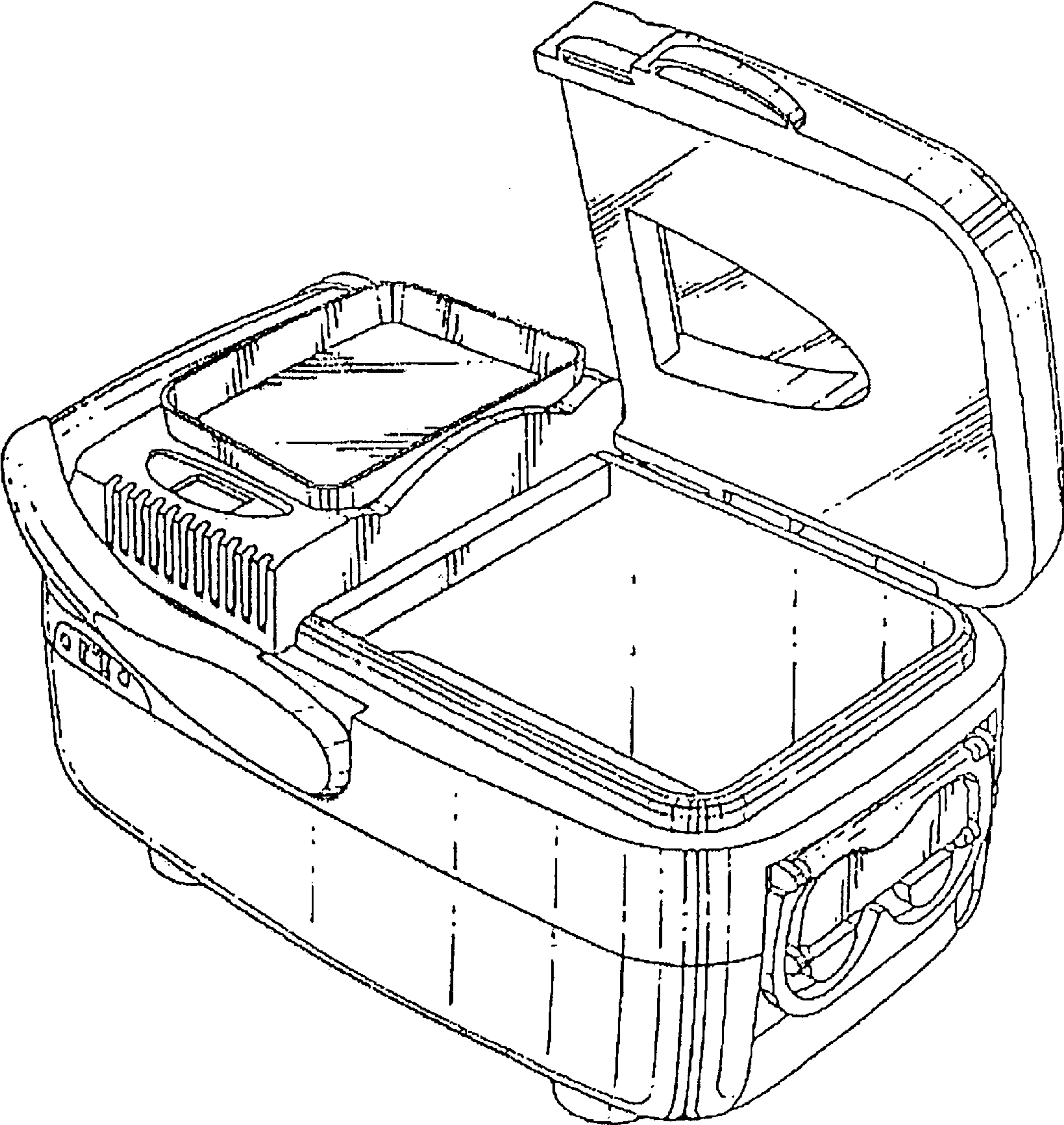


Figure 10