



US00D491942S1

(12) **United States Design Patent**
Takahashi

(10) **Patent No.:** **US D491,942 S**
(45) **Date of Patent:** **** Jun. 22, 2004**

(54) **DISPLAY**

(75) Inventor: **Hitoshi Takahashi**, Tokyo (JP)

(73) Assignee: **Sony Corporation**, Tokyo (JP)

(**) Term: **14 Years**

(21) Appl. No.: **29/186,662**

(22) Filed: **Jul. 22, 2003**

(51) **LOC (7) Cl.** **14-02**

(52) **U.S. Cl.** **D14/374; D14/345**

(58) **Field of Search** **D14/341-346,**
D14/371-374; D18/1, 2, 7; D19/26, 59,
60; 345/156, 168, 169, 172, 173; 349/12;
434/201; 708/105

(56) **References Cited**

U.S. PATENT DOCUMENTS

D391,987 S * 3/1998 Jambhekar et al. D14/345
D402,310 S * 12/1998 Hendricks D14/345
D442,953 S * 5/2001 Lassen D14/345
D448,763 S 10/2001 Ikenaga

FOREIGN PATENT DOCUMENTS

JP 1094679 S 12/2000

OTHER PUBLICATIONS

Web page "CLIE, PEG-NR70V" <http://www.sony.jp/products/Consumer/PEG/PEG-NR70V/>, 1 sheet, Sony (May 2003).

Web page "CLIE, PEG-TG50" <http://www.sony.jp/products/Consumer/PEG/PEG-TG50/>, 1 sheet, Sony (May 2003).

Web page "IC-550" <http://sony.jp/products/Consumer/DD/IC550/>, 1 sheet, Sony (May, 2003).

* cited by examiner

Primary Examiner—Freda S. Nunn

(74) *Attorney, Agent, or Firm*—Rader Fishman & Grauer PLLC

(57) **CLAIM**

The ornamental design for a display, as shown.

DESCRIPTION

FIG. 1 is a perspective view of a display showing my new design;

FIG. 2 is a front elevational view thereof;

FIG. 3 is a rear elevational view thereof;

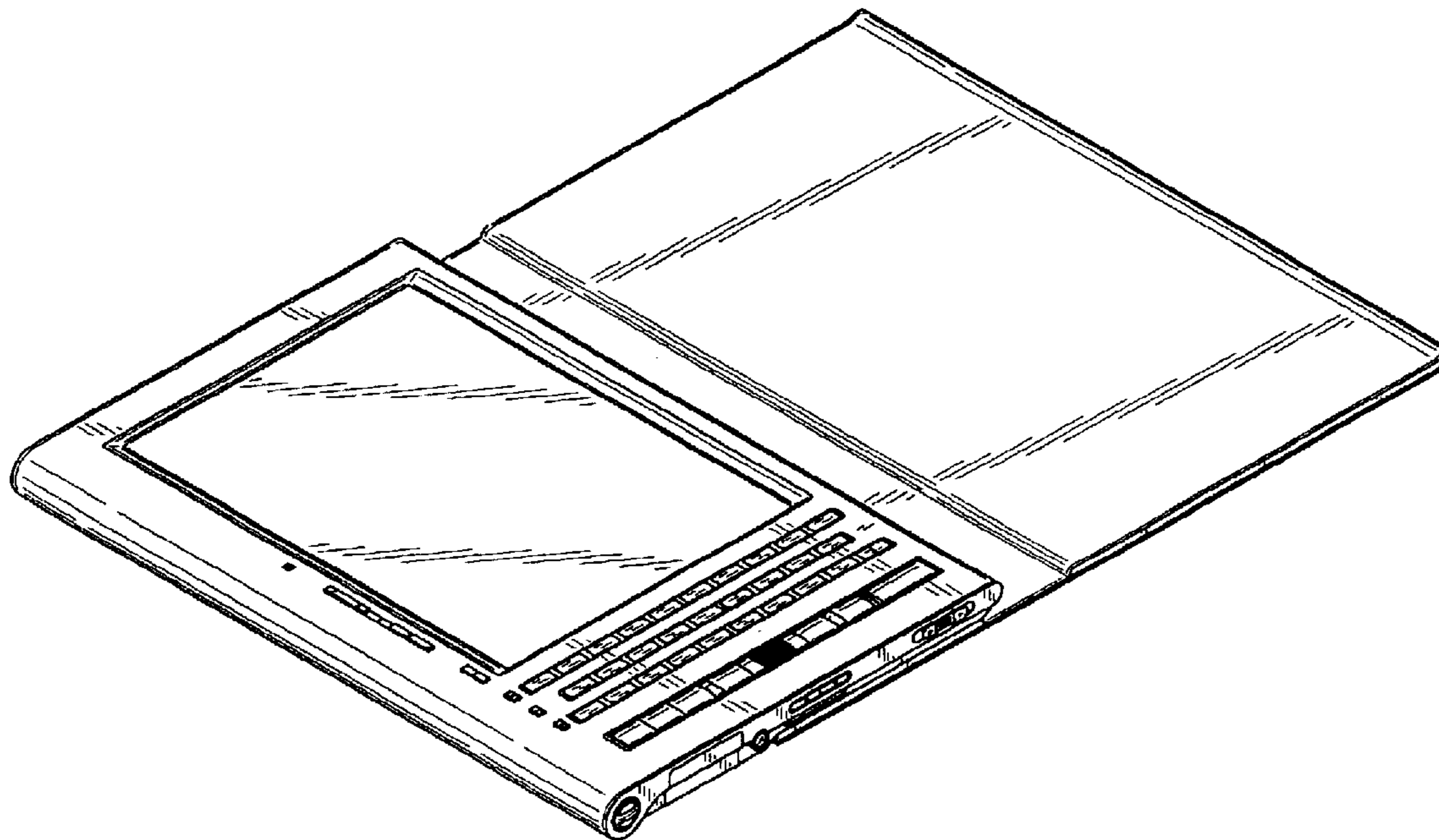
FIG. 4 is a left side elevational view thereof;

FIG. 5 is a right side elevational view thereof;

FIG. 6 is a top plan view thereof; and,

FIG. 7 is a bottom plan view thereof.

1 Claim, 4 Drawing Sheets



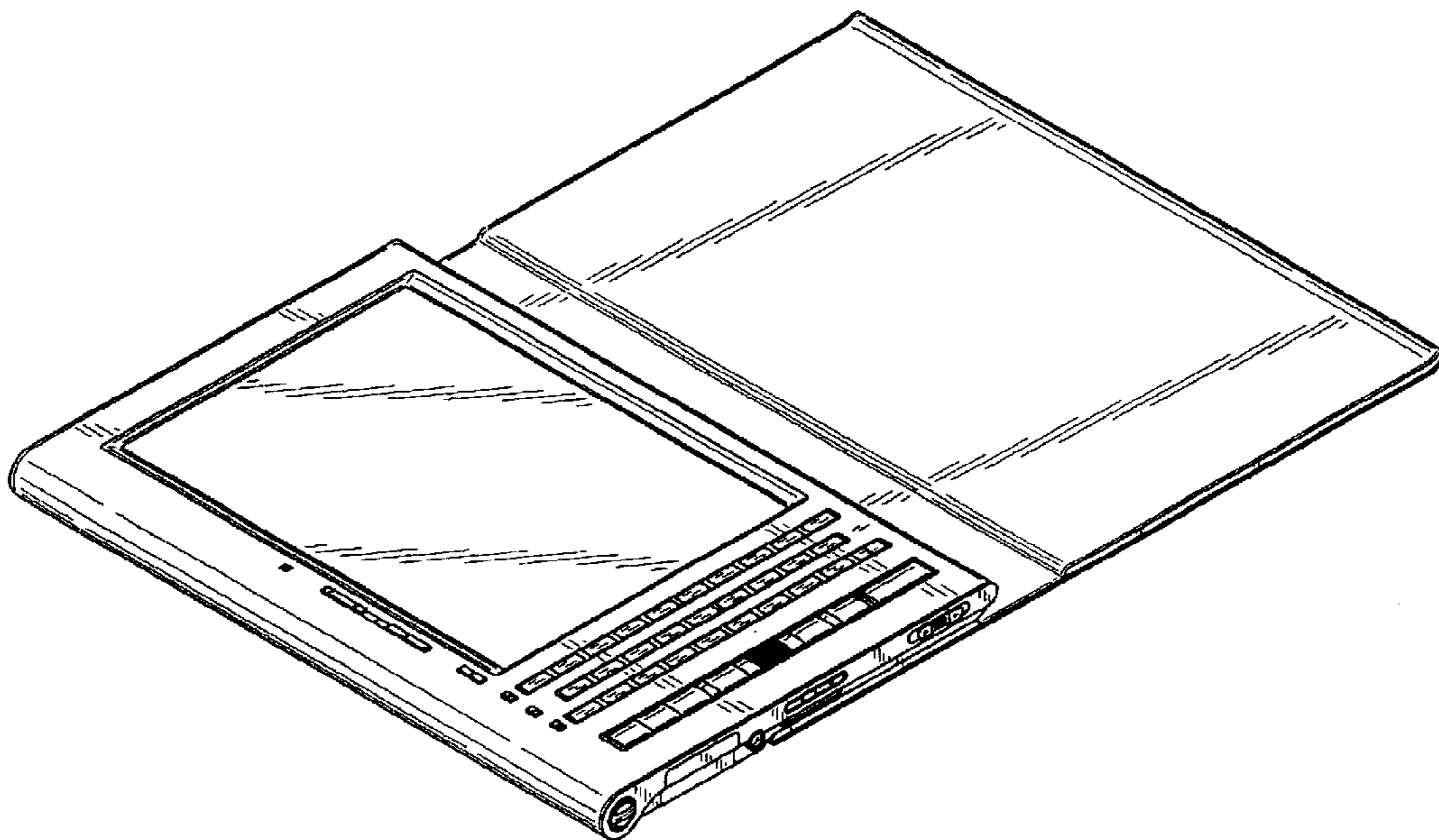


FIG. 1

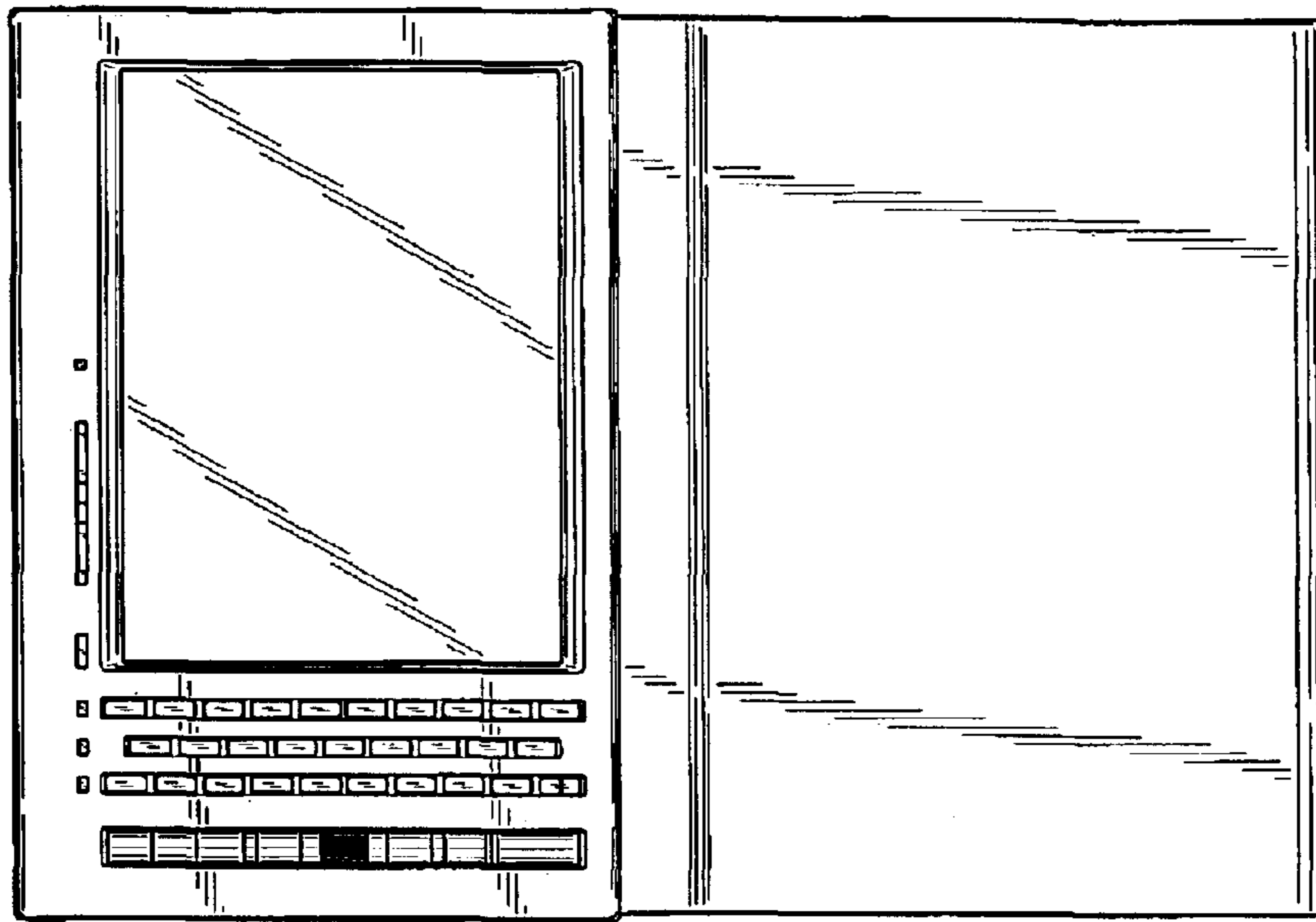


FIG. 2

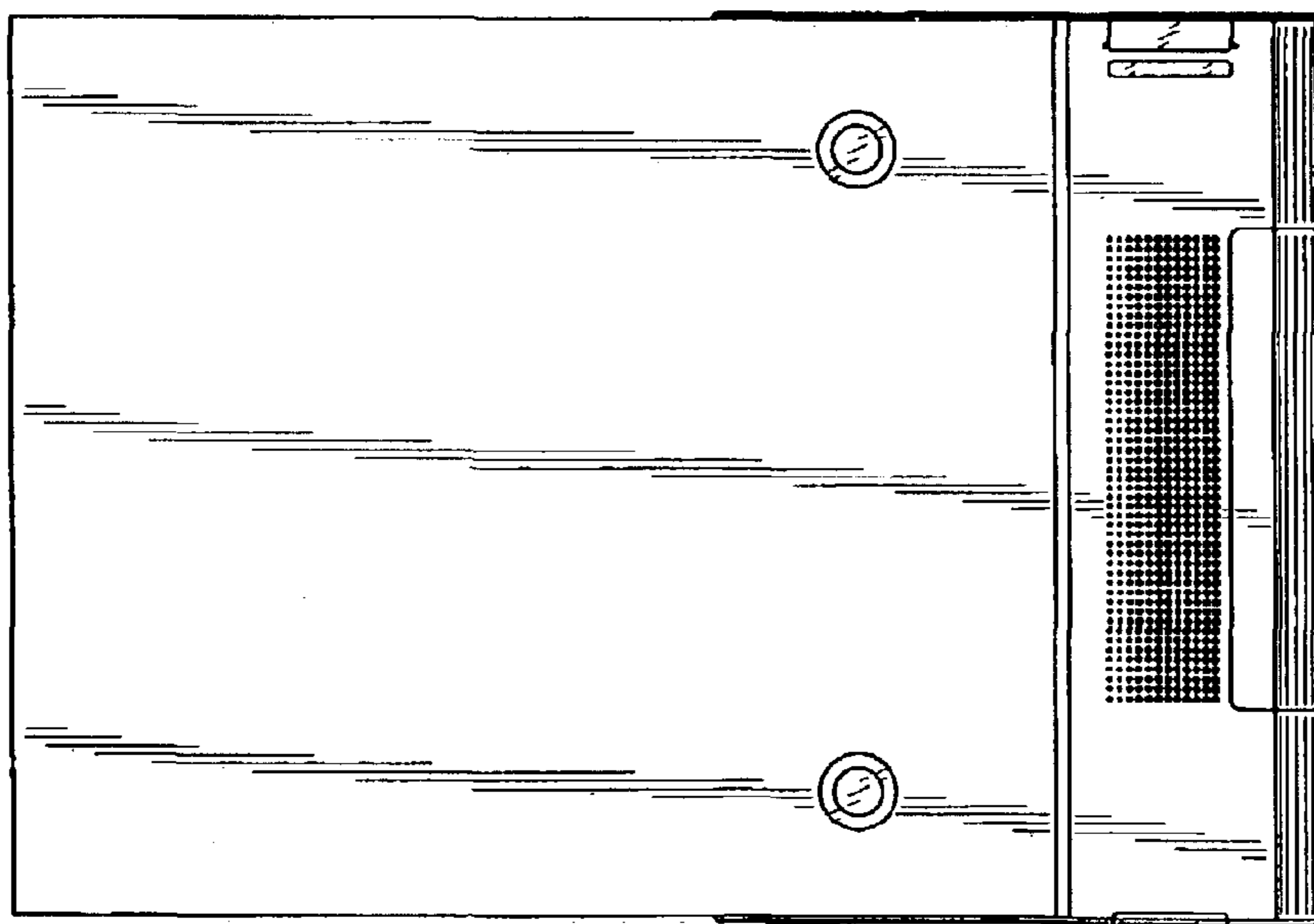


FIG. 3



FIG. 4



FIG. 5

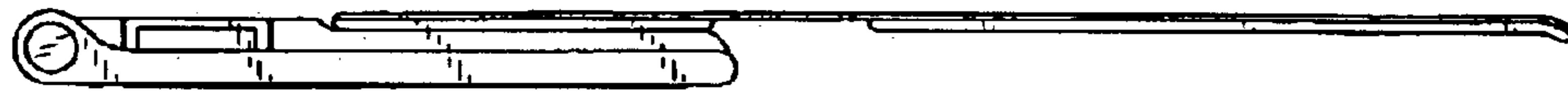


FIG. 6



FIG. 7