

US00D491941S1

(12) **United States Design Patent**
Chen

(10) **Patent No.:** **US D491,941 S**
(45) **Date of Patent:** **** Jun. 22, 2004**

(54) **MULTIMEDIA ACCESS DEVICE**

(76) **Inventor:** **Chin-Lung Chen**, No. 294, Sec. 1,
Ti-Hua Street, Ta-Tung Dist., Taipei
(TW)

(**) **Term:** **14 Years**

(21) **Appl. No.:** **29/193,506**

(22) **Filed:** **Nov. 8, 2003**

(51) **LOC (7) Cl.** **14-02**

(52) **U.S. Cl.** **D14/370; D14/357**

(58) **Field of Search** D14/136, 348,
D14/363, 365, 367, 368, 370; 361/685

(56) **References Cited**

U.S. PATENT DOCUMENTS

D334,917 S	*	4/1993	Miyamoto	D14/362
D334,918 S	*	4/1993	Hirose et al.	D14/368
D346,593 S	*	5/1994	Mizusugi et al.	D14/368
D360,197 S	*	7/1995	Ikenaga	D14/368
D377,481 S	*	1/1997	Miyamoto et al.	D14/368

D408,381 S	*	4/1999	Nelson et al.	D14/368
D422,573 S	*	4/2000	Takano et al.	D14/365
D450,695 S	*	11/2001	Reynolds et al.	D14/368
D468,309 S	*	1/2003	Goldenberg	D14/368

* cited by examiner

Primary Examiner—Joel Sincavage

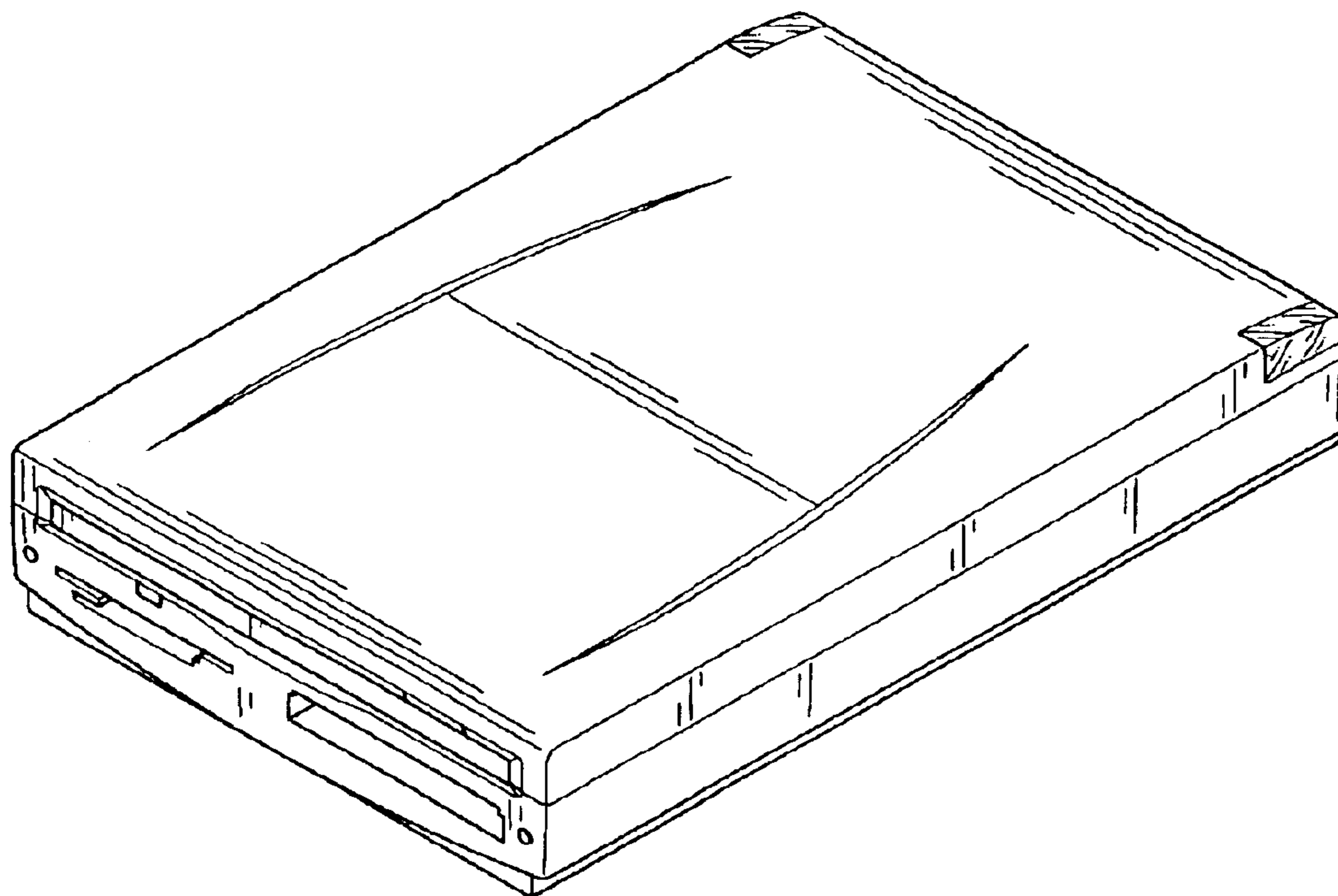
(57) **CLAIM**

The ornamental design for multimedia access device, as shown and described.

DESCRIPTION

FIG. 1 is a perspective view of multimedia access device showing my new design;
FIG. 2 is a front elevational view thereof;
FIG. 3 is a rear elevational view thereof;
FIG. 4 is a left side elevational view thereof;
FIG. 5 is right side elevational view thereof;
FIG. 6 is a top view thereof; and,
FIG. 7 is a bottom view thereof.

1 Claim, 7 Drawing Sheets



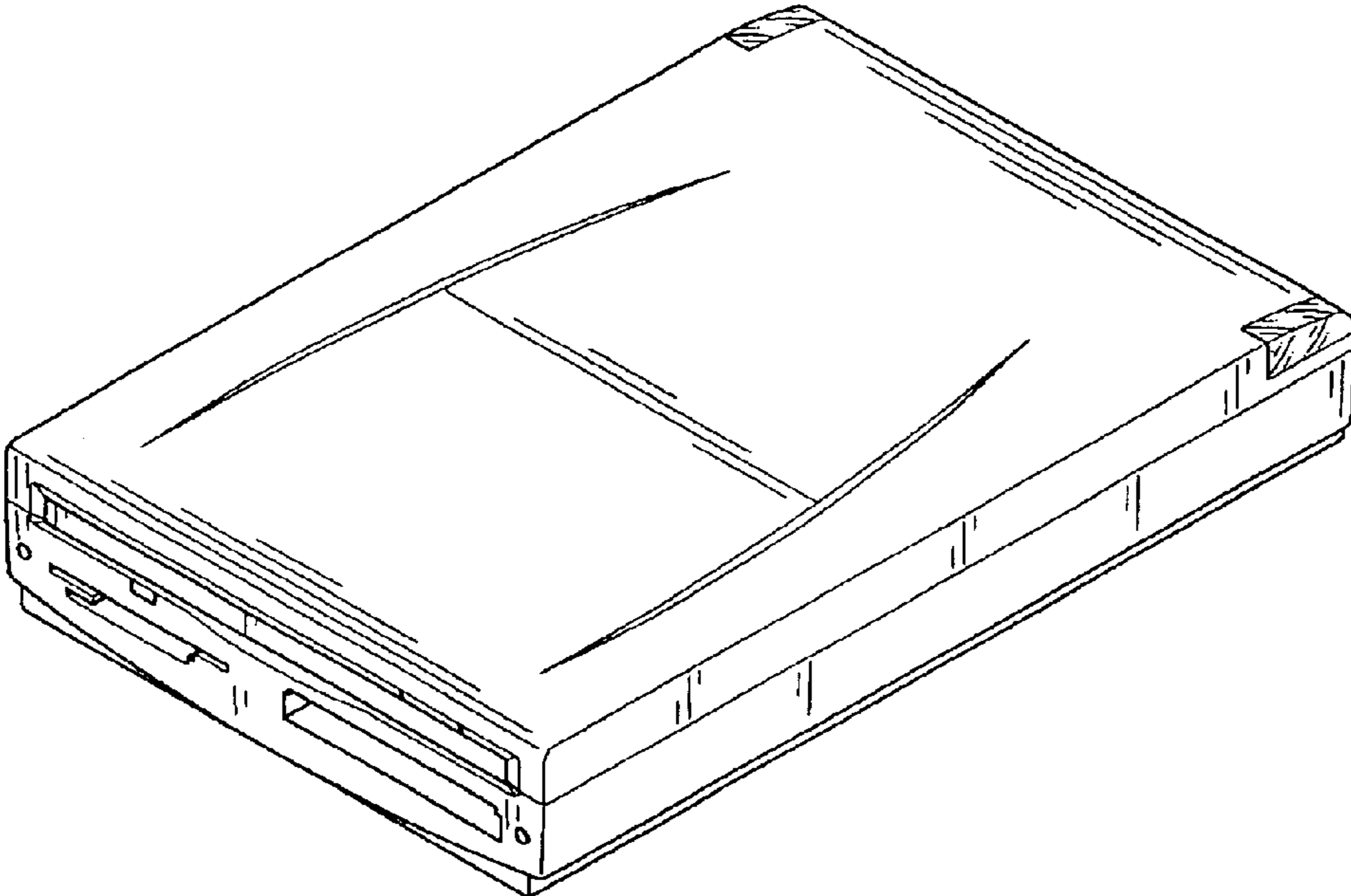


FIG. 1

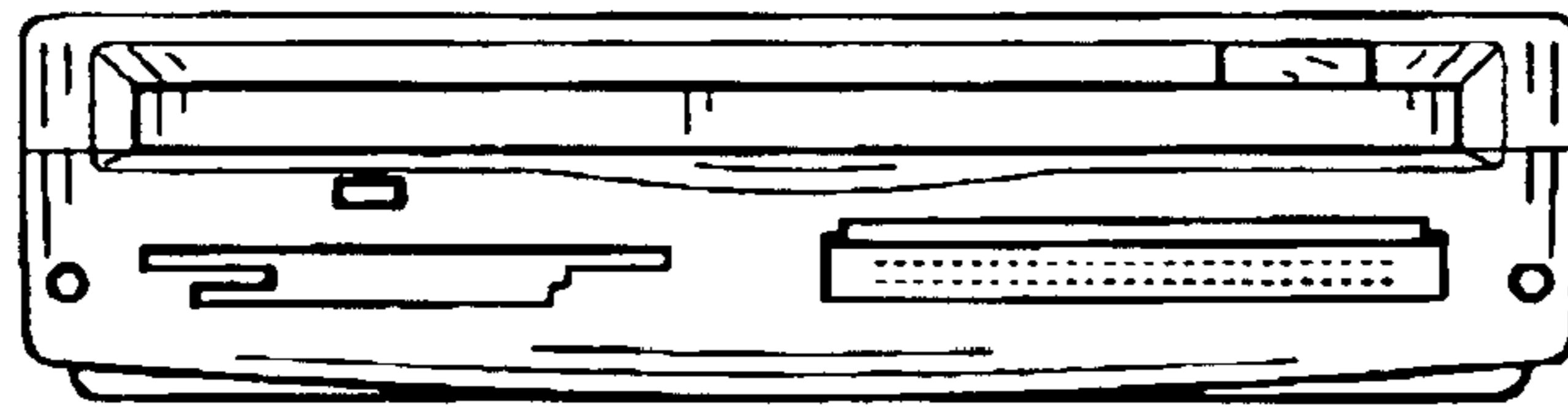


FIG. 2

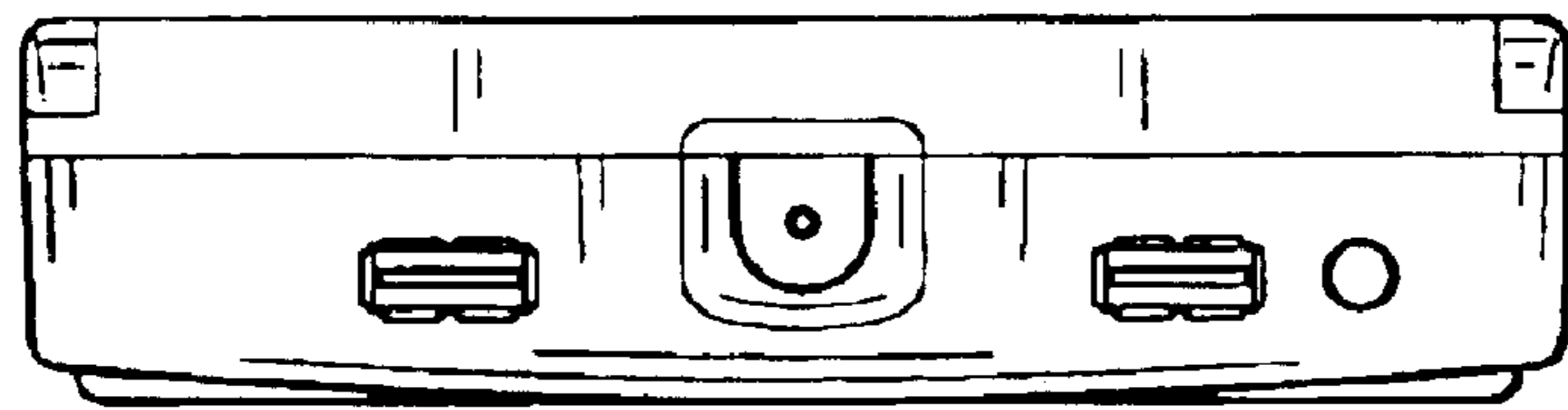


FIG. 3

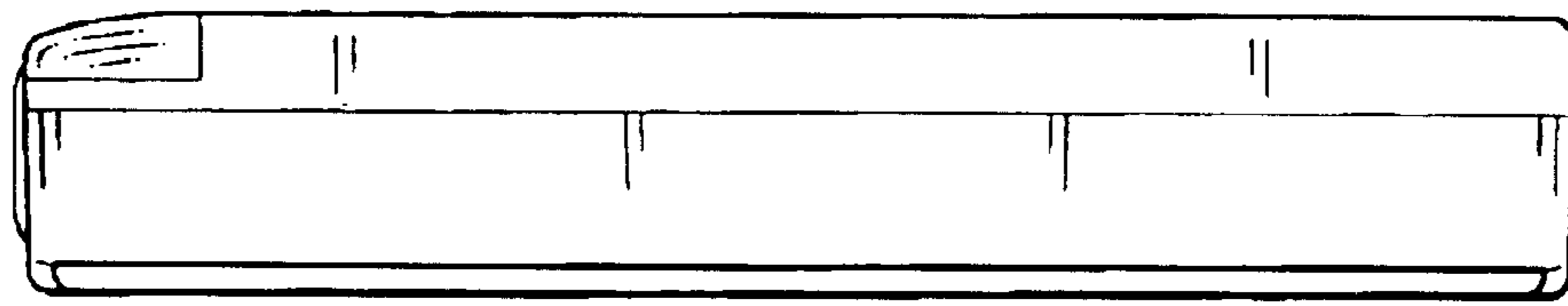


FIG. 4

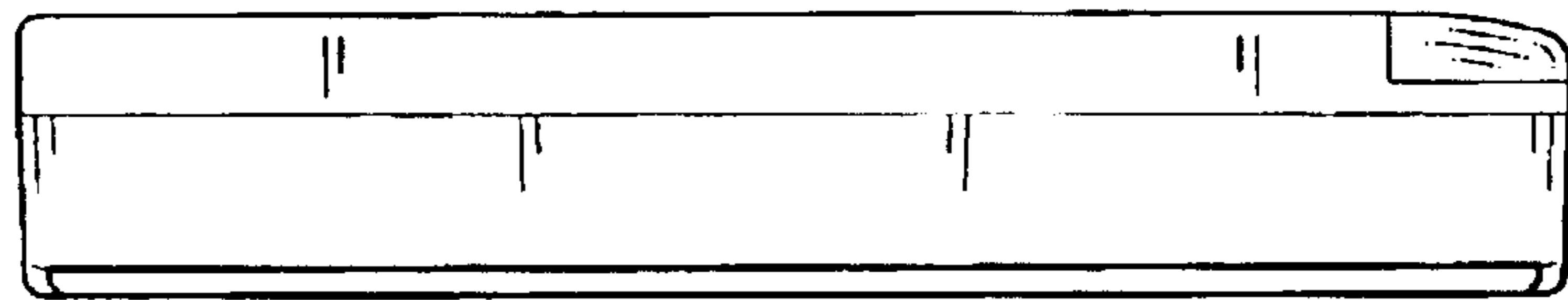


FIG. 5

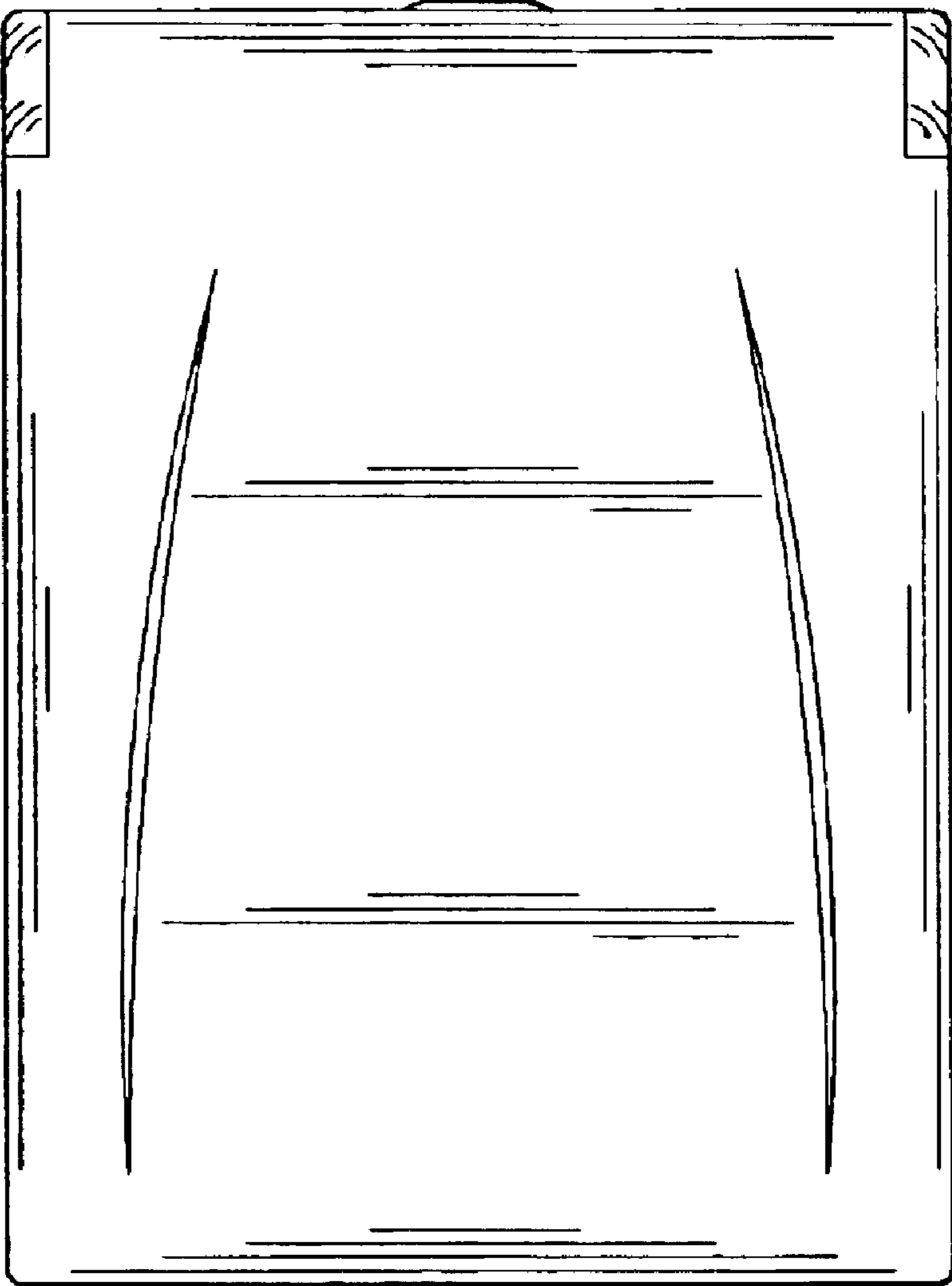


FIG. 6

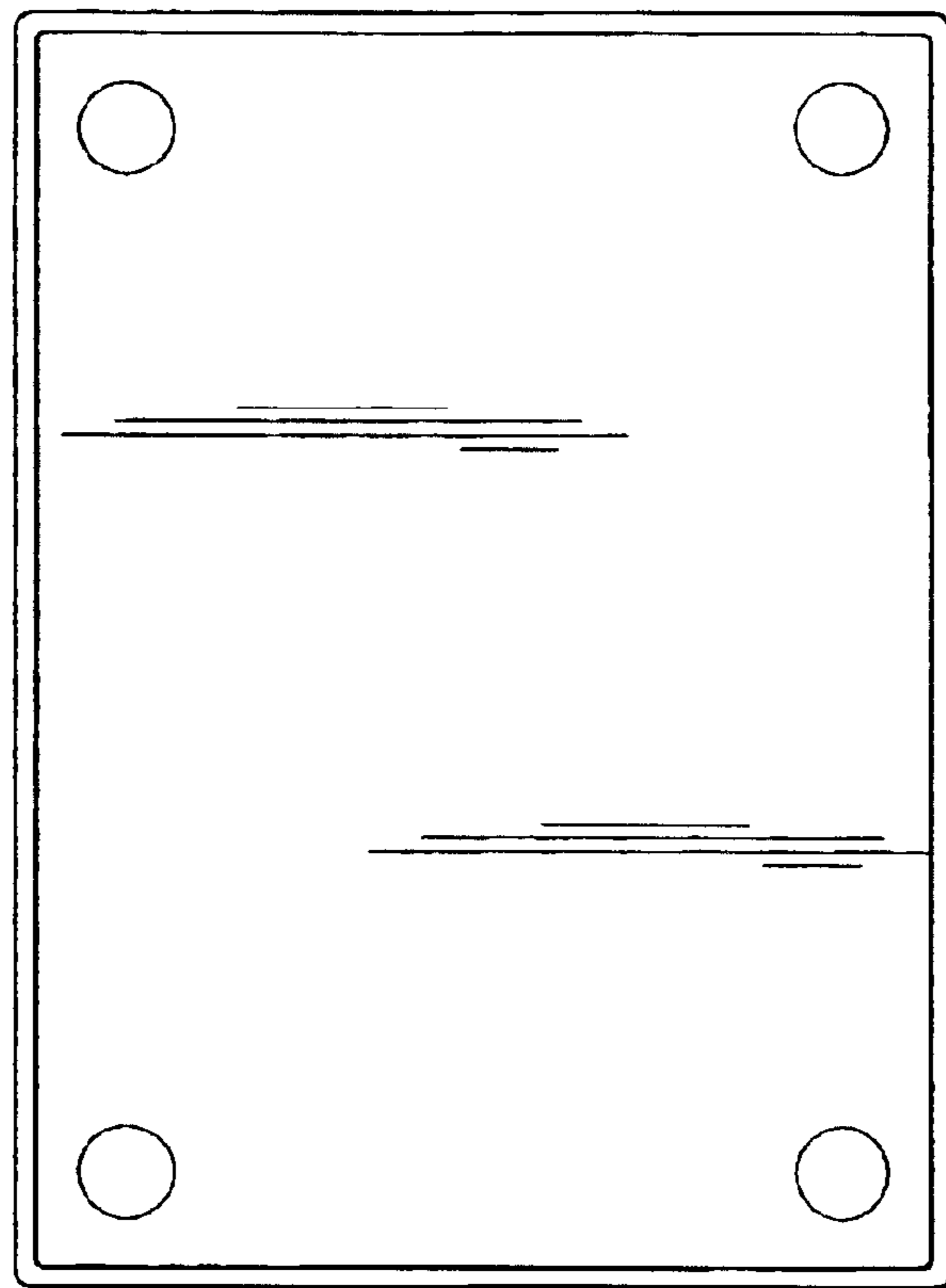


FIG. 7