



US00D491940S1

(12) **United States Design Patent**
Narita

(10) **Patent No.: US D491,940 S**
(45) **Date of Patent: ** Jun. 22, 2004**

(54) **DISC DRIVE**

(75) Inventor: **Hisanori Narita**, Tokyo (JP)
(73) Assignee: **Sony Corporation**, Tokyo (JP)
(**) Term: **14 Years**

(21) Appl. No.: **29/185,486**
(22) Filed: **Jun. 30, 2003**

(51) **LOC (7) Cl. 14-02**
(52) **U.S. Cl. D14/368**
(58) **Field of Search D14/136, 348,**
D14/363, 365, 367, 368, 370; 361/685

(56) **References Cited**

U.S. PATENT DOCUMENTS

D308,966 S	*	7/1990	Alfonso et al.	D14/368
D334,917 S	*	4/1993	Miyamoto	D14/362
D334,918 S	*	4/1993	Hirose et al.	D14/368
D344,270 S	*	2/1994	Matsumoto et al.	D14/368
D346,593 S	*	5/1994	Mizusugi et al.	D14/368
D360,197 S	*	7/1995	Ikenaga	D14/368
D370,668 S	*	6/1996	Hirose	D14/368
D370,894 S	*	6/1996	Hirose	D14/368
D390,220 S		2/1998	Matsuoka	
D396,856 S		8/1998	Oba	
D414,183 S		9/1999	Honjo	
D422,573 S	*	4/2000	Takano et al.	D14/365
D422,574 S	*	4/2000	Fujii et al.	D14/368
D462,073 S	*	8/2002	Yoon	D14/368

OTHER PUBLICATIONS

News Release "FDZ-IMJ" http://www.imation.co.jp/info/news/2001year/03_mon.html, 1 sheet, Imation Corp. (Feb. 2003).
Press Release "LFD-31UJ" <http://www.logitec.co.jp/press/2001/1128.html>, 1 sheet, Logitec Corp. (Feb. 2003).
Imation Floppy disc Drive at http://www.imation.co.jp/products/pc_hard/f_drive/ Copyright 2000-2003 Imation Corp.*

* cited by examiner

Primary Examiner—Joel Sincavage
(74) *Attorney, Agent, or Firm*—Rader, Fishman & Grauer PLLC

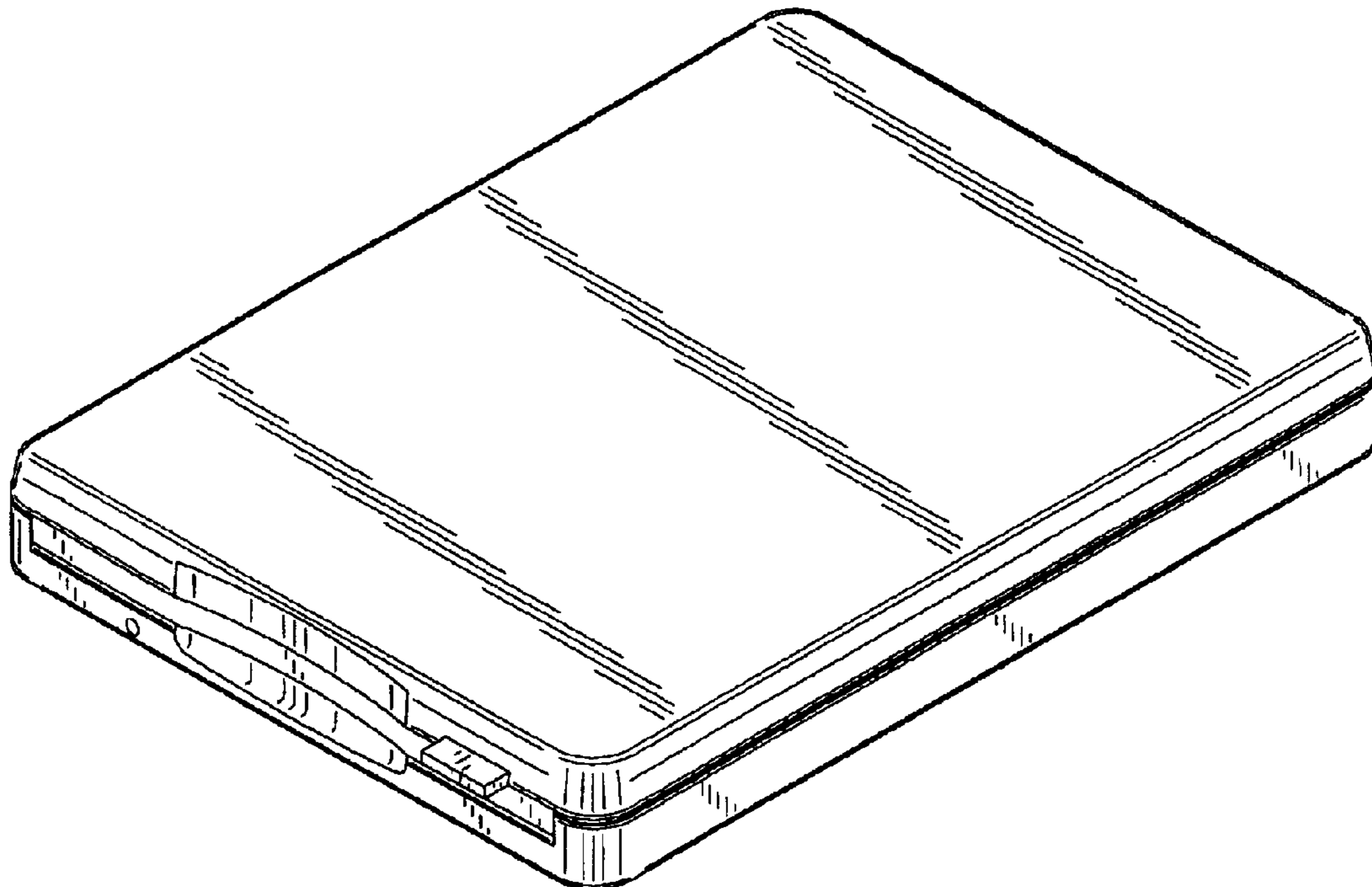
(57) **CLAIM**

The ornamental design for a disc drive, as shown.

DESCRIPTION

FIG. 1 is a perspective view of a disc drive showing my new design;
FIG. 2 is a front elevational view thereof;
FIG. 3 is a rear elevational view thereof;
FIG. 4 is a left side elevational view thereof;
FIG. 5 is a right side elevational view thereof;
FIG. 6 is a top plan view thereof; and,
FIG. 7 is a bottom plan view thereof.

1 Claim, 4 Drawing Sheets



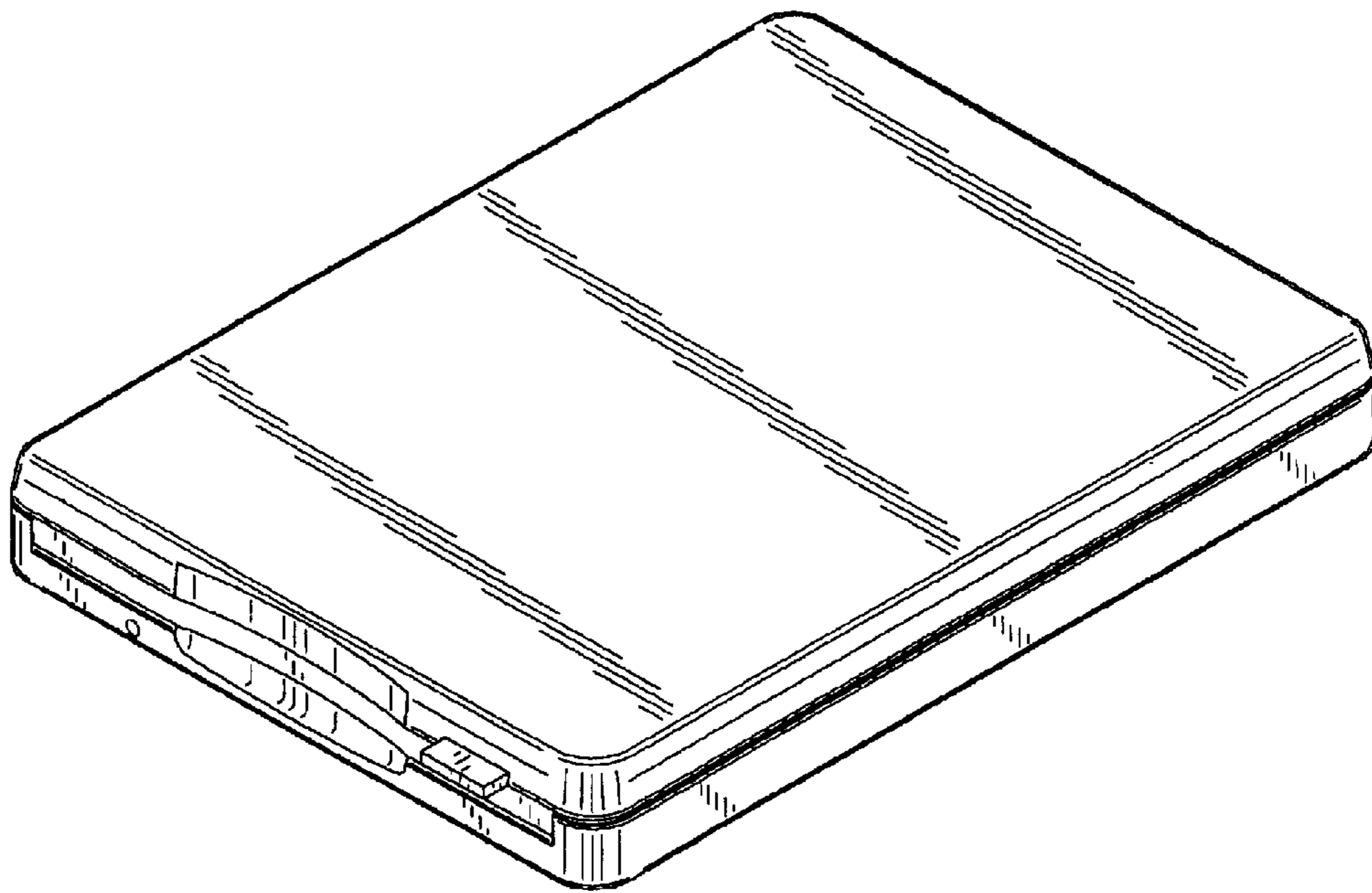


FIG. 1

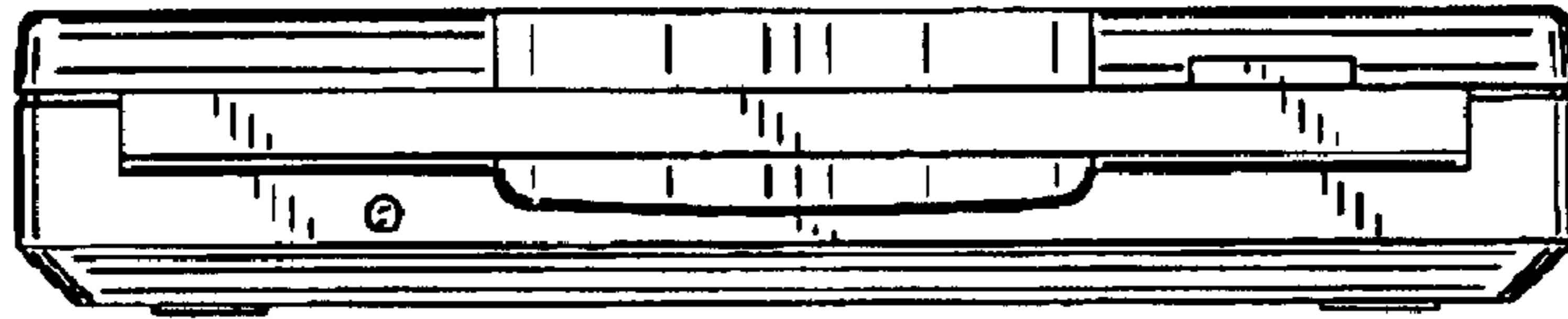


FIG. 2

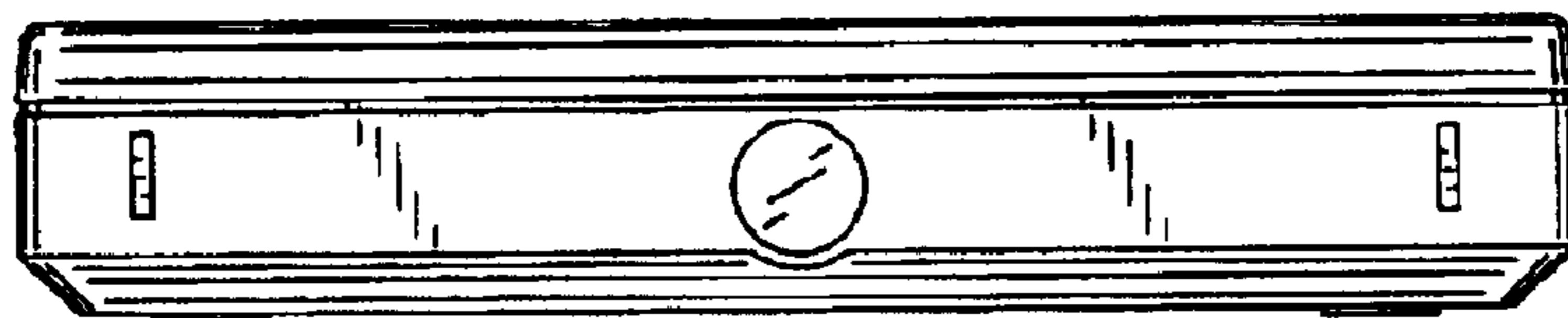


FIG. 3

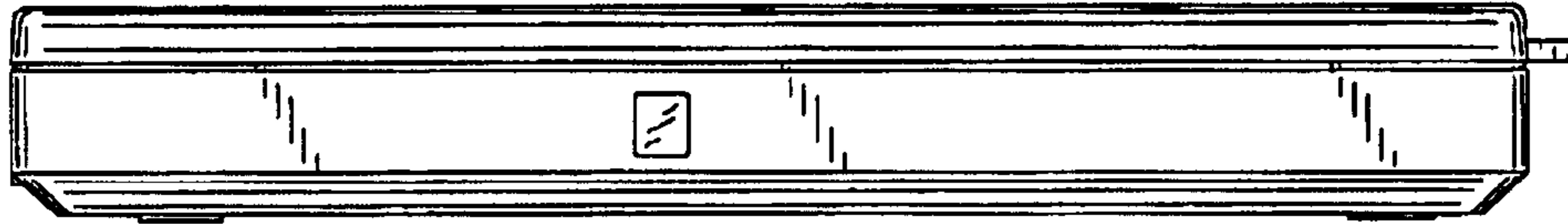


FIG. 4

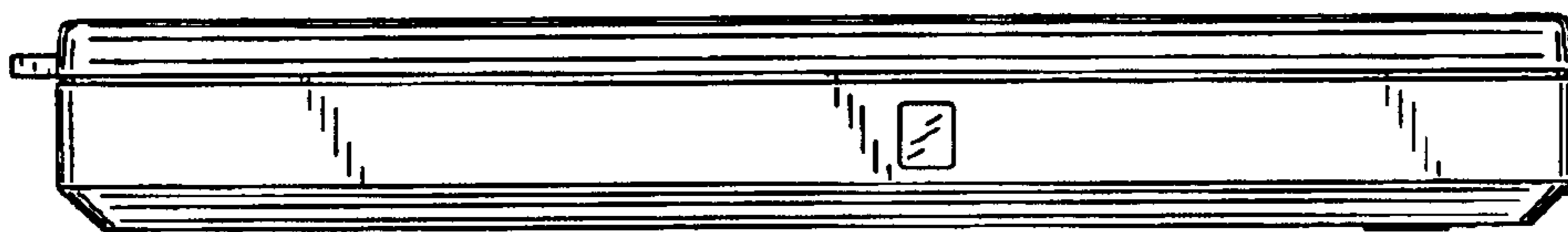


FIG. 5

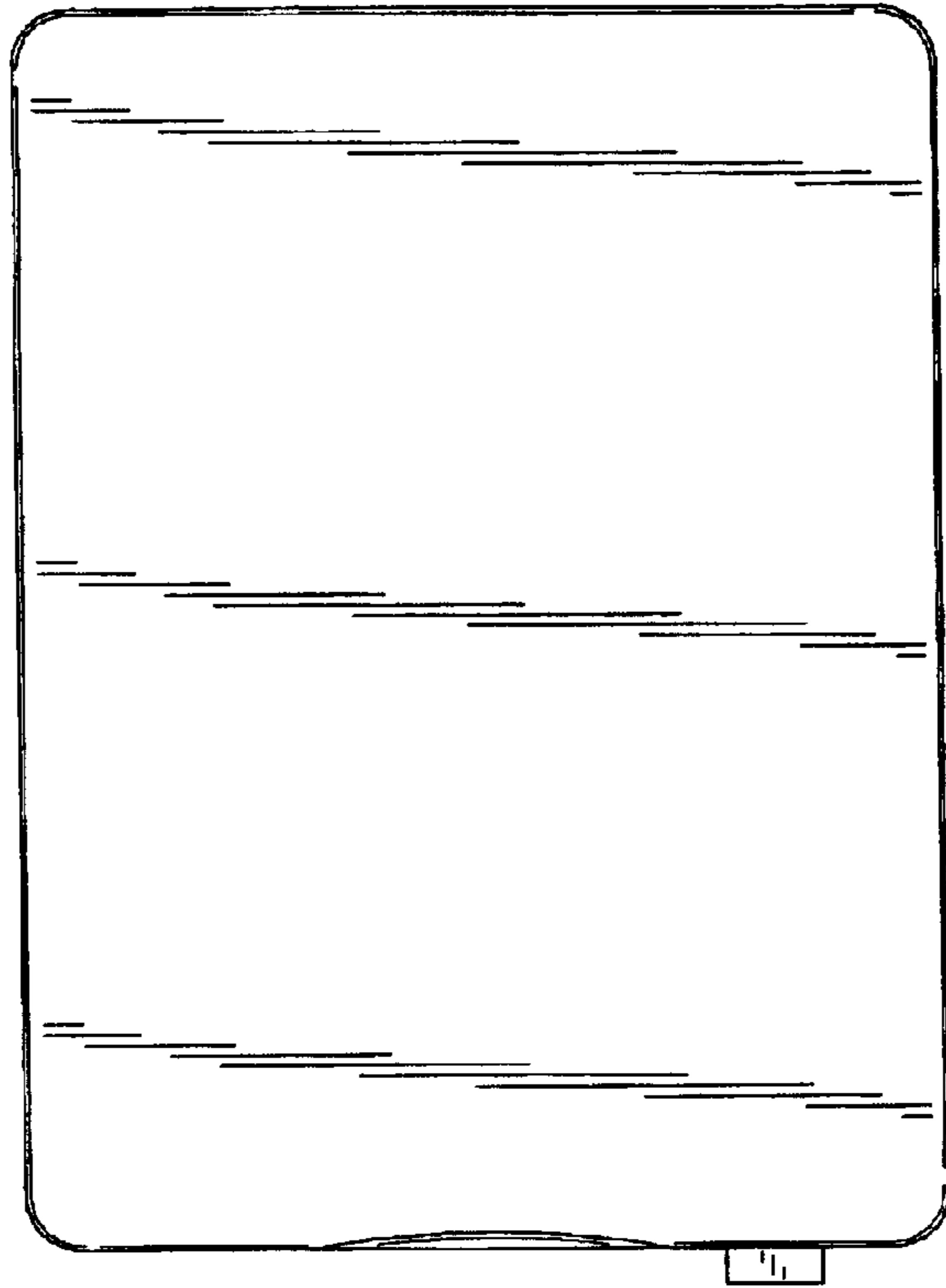


FIG. 6

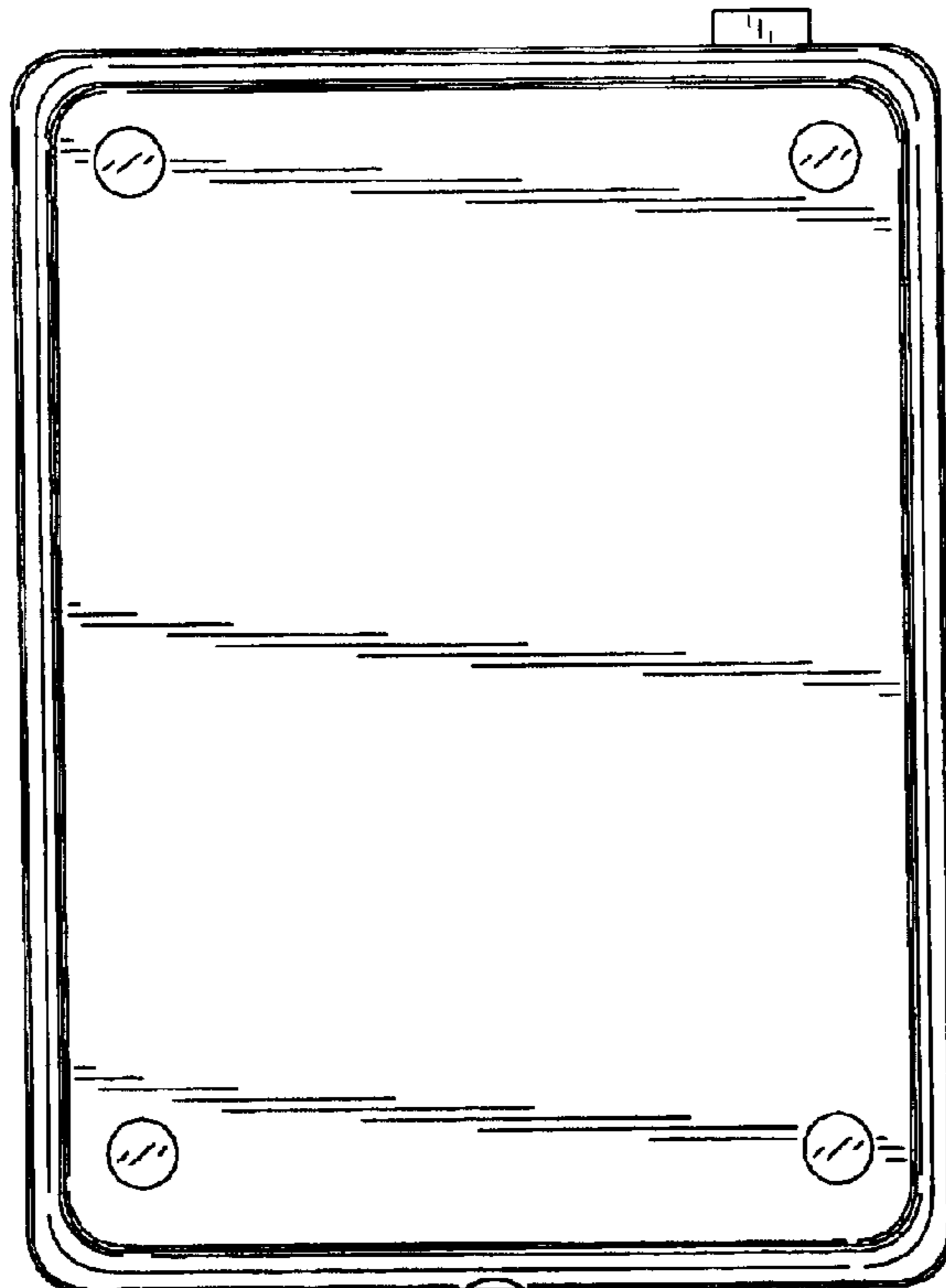


FIG. 7