



US00D491937S1

(12) **United States Design Patent**  
Retourne et al.

(10) **Patent No.:** **US D491,937 S**  
(45) **Date of Patent:** **\*\* Jun. 22, 2004**

(54) **INTELLIGENT CONTROLLER FOR NETWORKED APPLIANCES WITH RADIO AND CD FEATURES**

(75) Inventors: **Stephane Retourne, Stockholm (SE); John Stangdell, Johanneshov (SE)**

(73) Assignee: **Salton, Inc., Lake Forest, IL (US)**

(\*\*) Term: **14 Years**

(21) Appl. No.: **29/181,062**

(22) Filed: **May 2, 2003**

(51) **LOC (7) Cl.** ..... **14-02**

(52) **U.S. Cl.** ..... **D14/356**

(58) **Field of Search** ..... D14/355-358, D14/362-364, 155, 156, 188, 135, 136, 168; 361/680-686; 360/99.01-99.12; D10/97

(56) **References Cited**

**U.S. PATENT DOCUMENTS**

5,519,572 A	*	5/1996	Luo	.....	361/685
D384,941 S	*	10/1997	Christin	.....	D14/356
D385,562 S	*	10/1997	Nijima et al.	.....	D14/188
D418,487 S	*	1/2000	Gallahan et al.	.....	D14/356
D434,749 S	*	12/2000	Ito et al.	.....	D14/168
D435,044 S	*	12/2000	Oviatt et al.	.....	D14/356
D435,845 S	*	1/2001	Piersol	.....	D14/355
D450,005 S	*	11/2001	Hickford et al.	.....	D10/97
D451,919 S	*	12/2001	Abboud	.....	D14/356

\* cited by examiner

*Primary Examiner*—Freda S. Nunn

(74) *Attorney, Agent, or Firm*—Sonnenschein Nath & Rosenthal LLP

(57) **CLAIM**

The ornamental design for an intelligent controller for networked appliances with radio and CD features, as shown and described.

**DESCRIPTION**

FIG. 1 is a top plan view of the intelligent controller for networked appliances with radio and CD features with its display panel in its unarticulated position.

FIG. 2 is a top plan view of the intelligent controller for networked appliances with radio and CD features with its display panel in its articulated position.

FIG. 3 is a bottom plan view of the intelligent controller for networked appliances with radio and CD features with its display panel in its articulated position.

FIG. 4 is a front view of the intelligent controller for networked appliances with radio and CD features with its display panel in its articulated position.

FIG. 5 is a front view of the intelligent controller for networked appliances with radio and CD features with its display panel in its unarticulated position.

FIG. 6 is a perspective view of the intelligent controller for networked appliances with radio and CD features with its display panel in its articulated position.

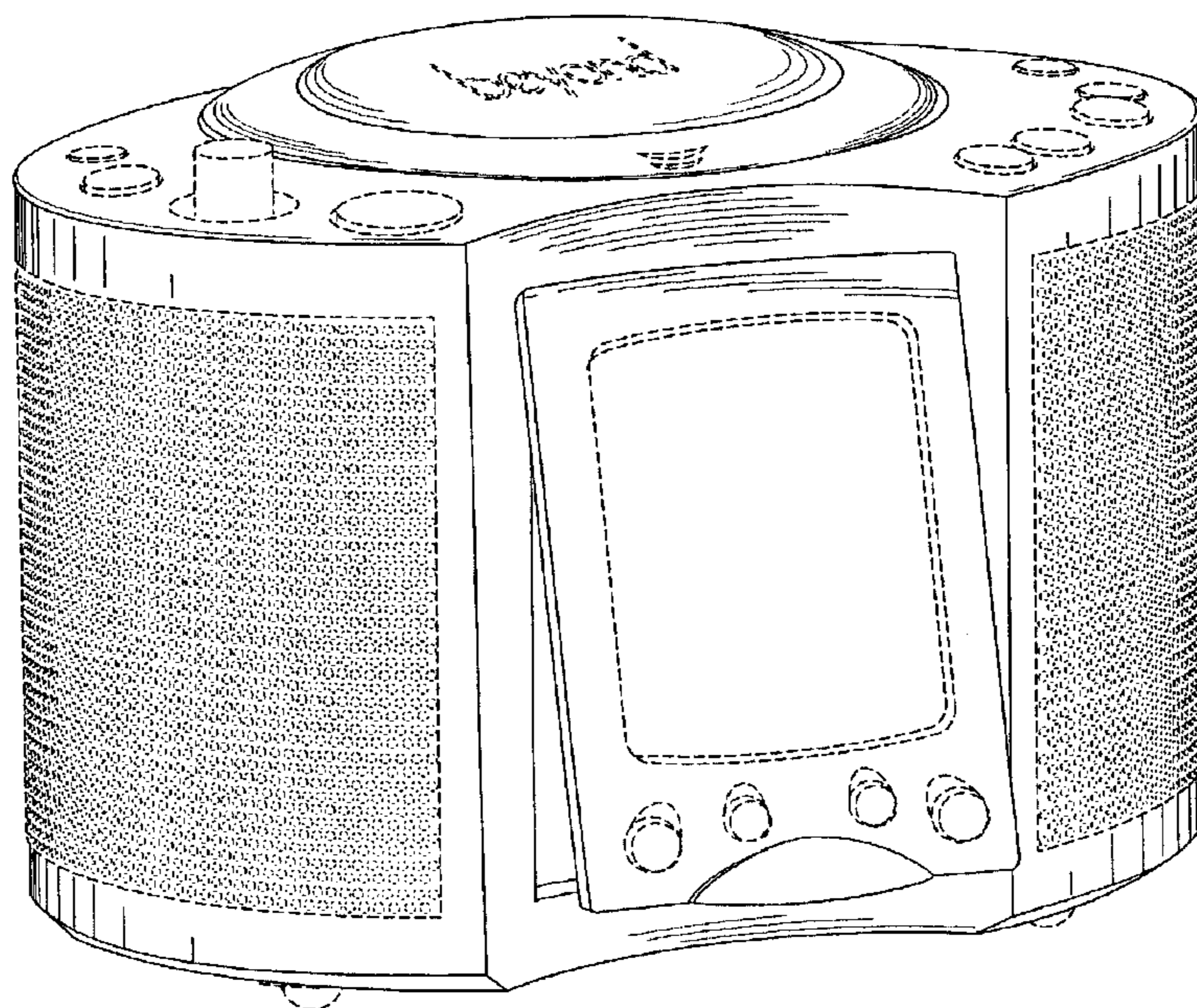
FIG. 7 is a back view of the intelligent controller for networked appliances with radio and CD features; and,

FIG. 8 is a side elevational view of the intelligent controller for networked appliances with radio and CD features with its display panel in its articulated position.

The other side view being symmetrical.

The broken lines are shown in the figures for illustrative purposes only and form no part of the claimed design.

**1 Claim, 8 Drawing Sheets**



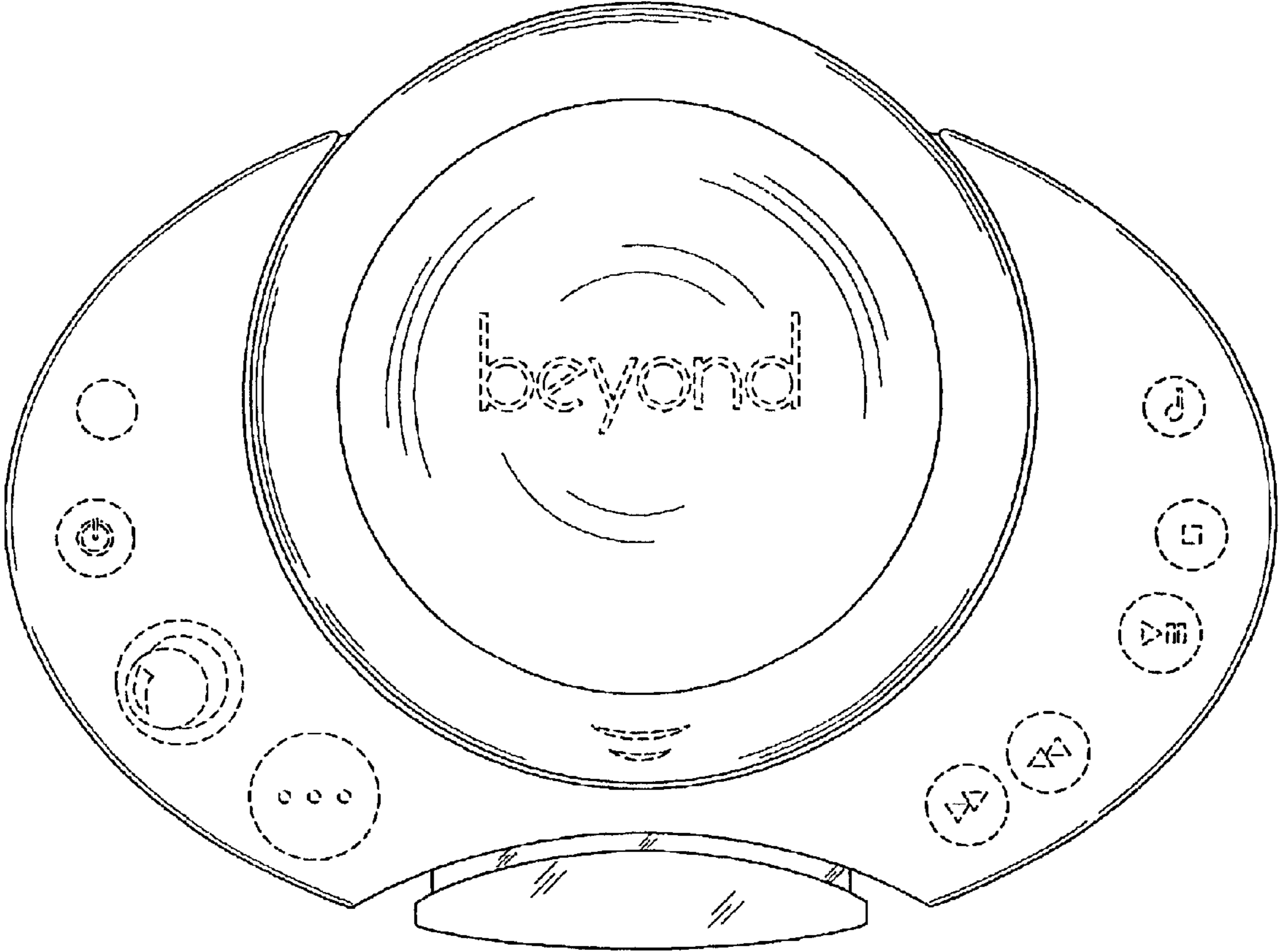


Fig. 1

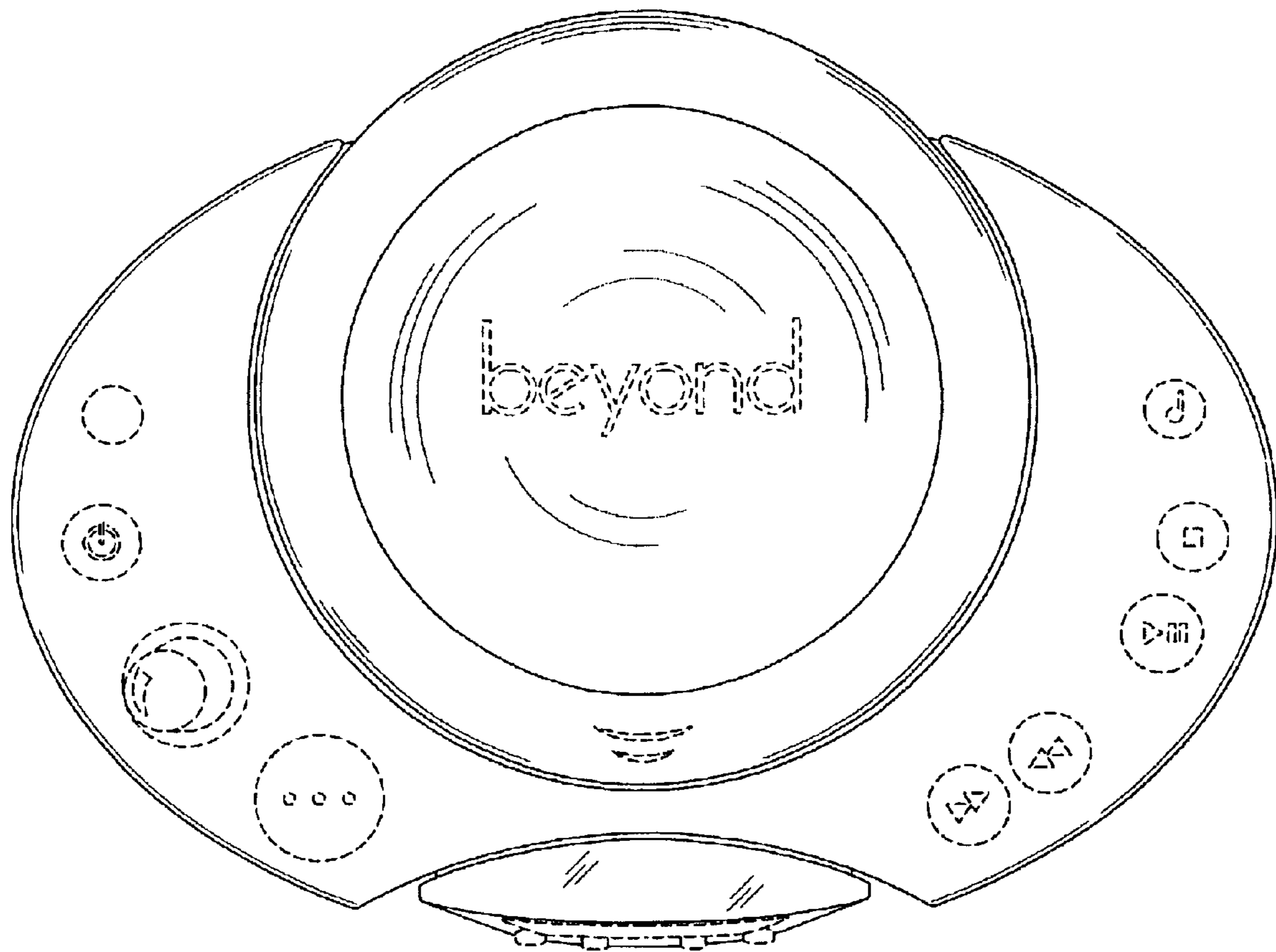


Fig. 2

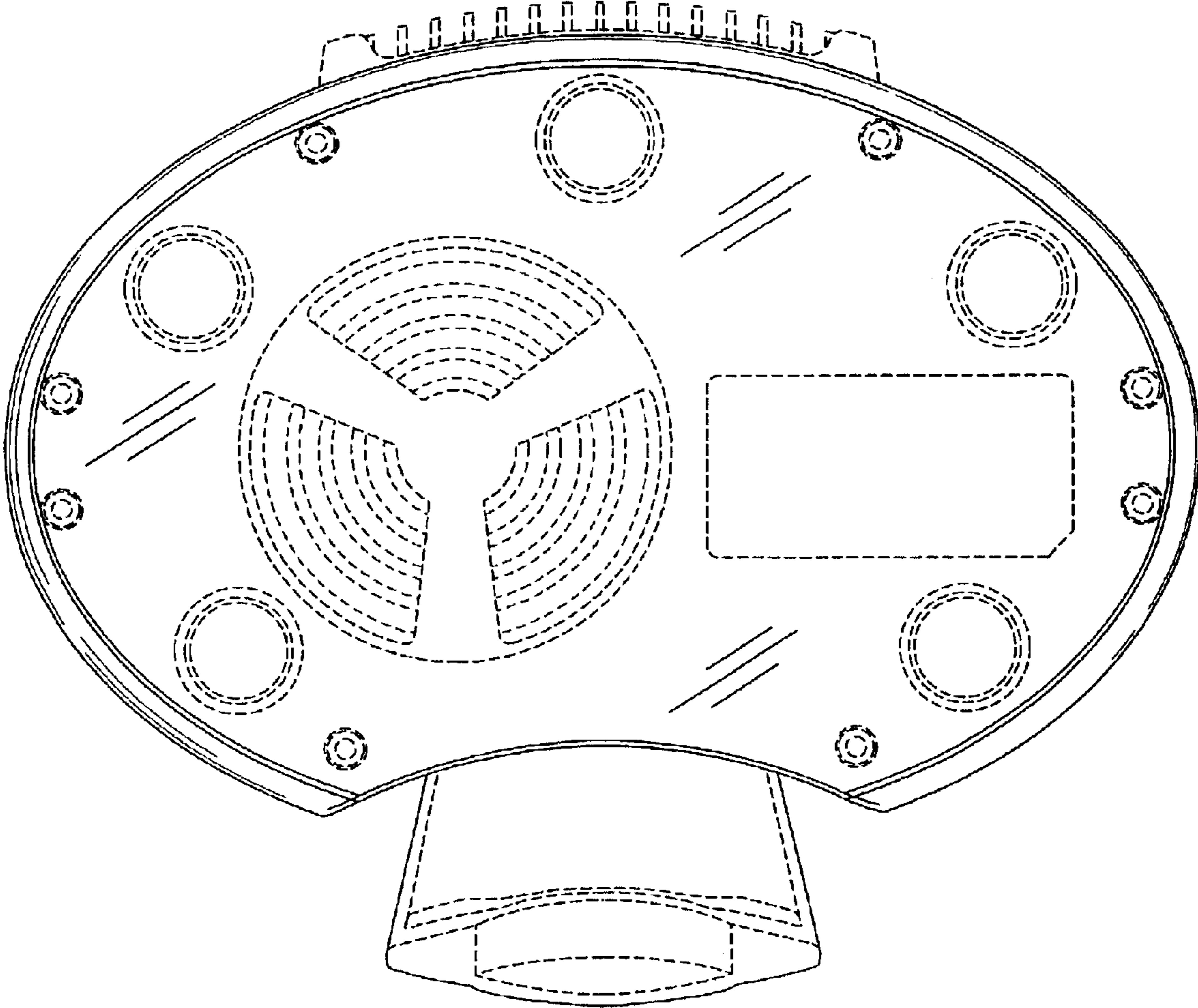


Fig. 3

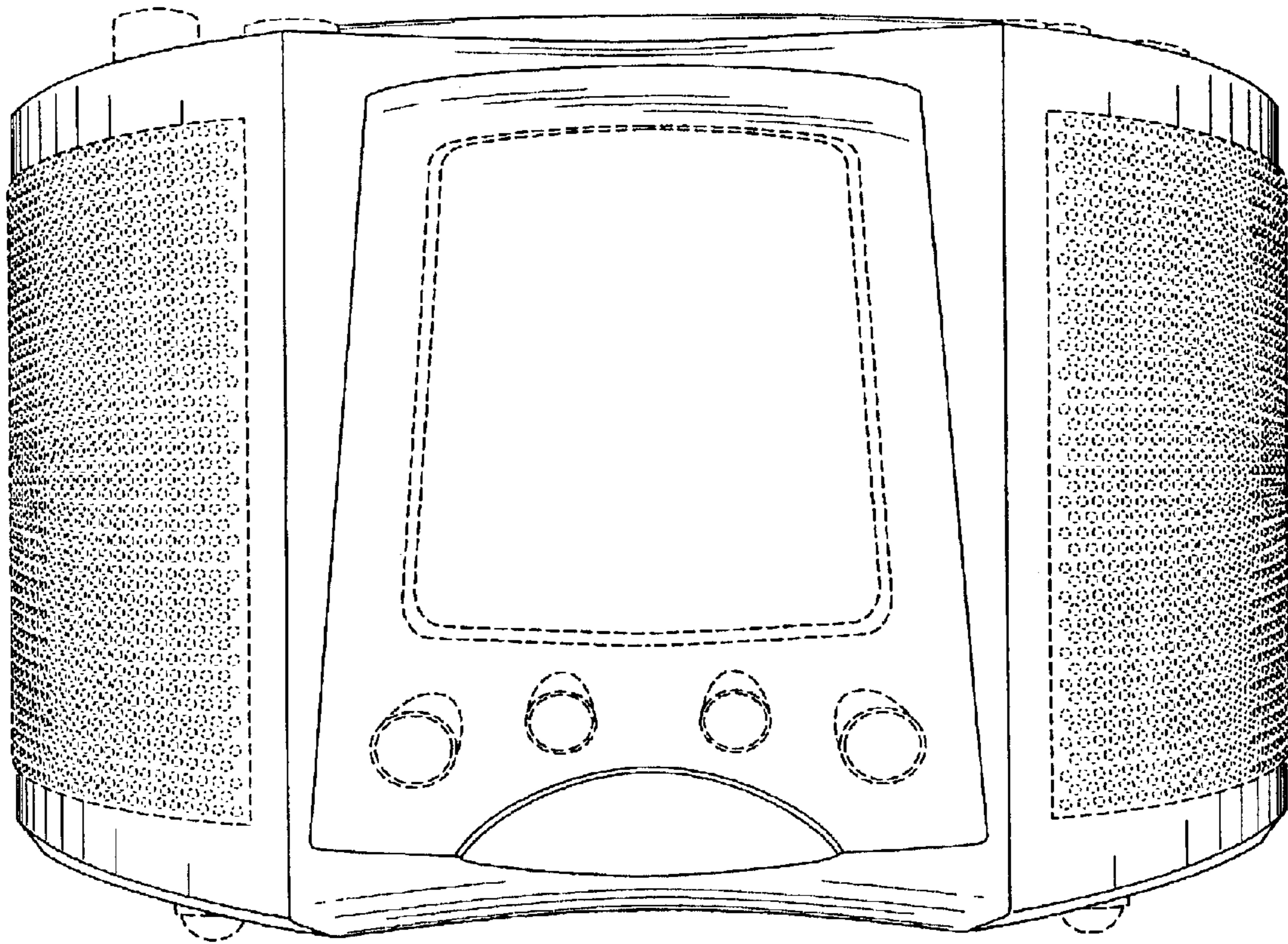


Fig. 4

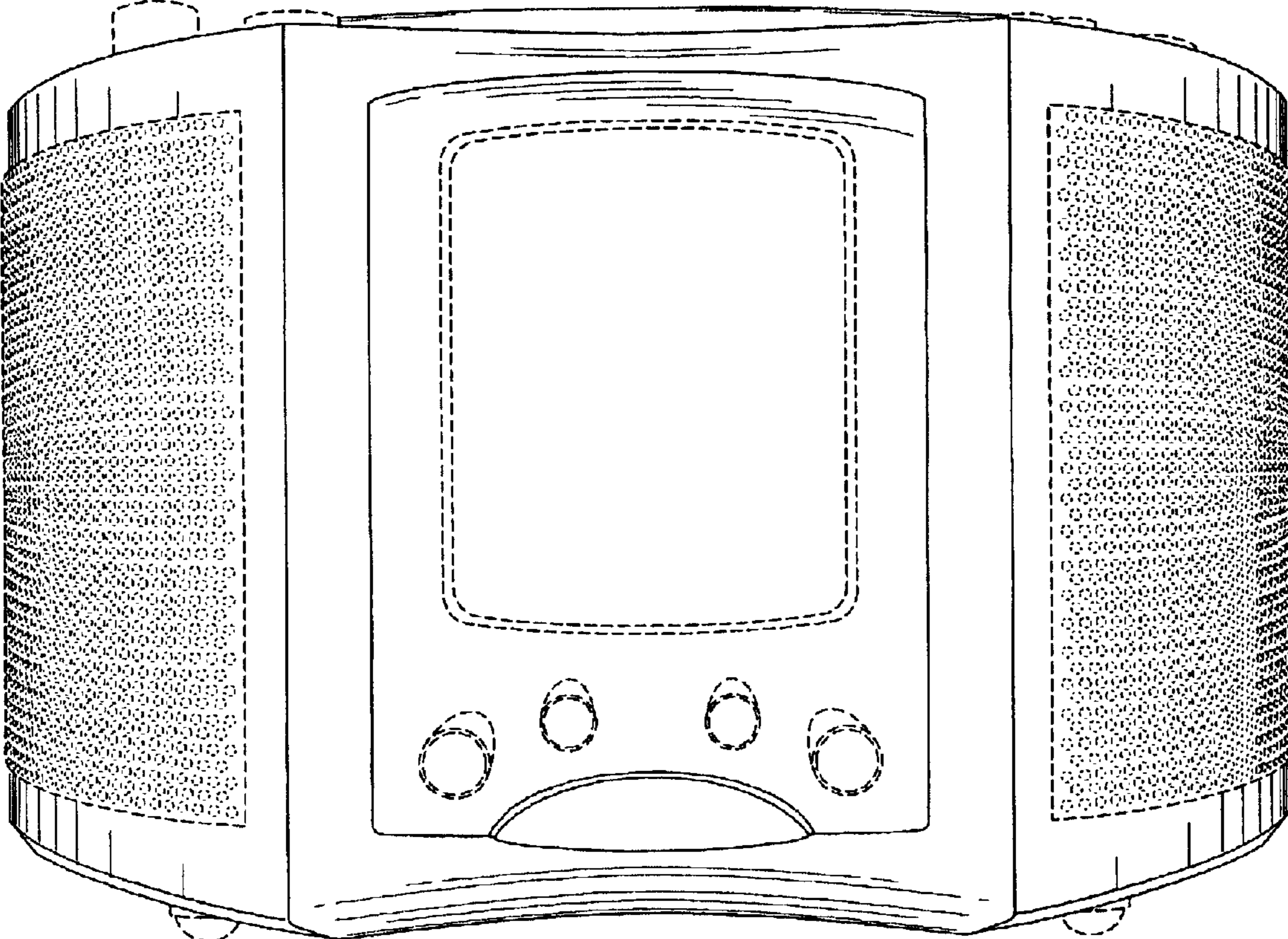


Fig. 5

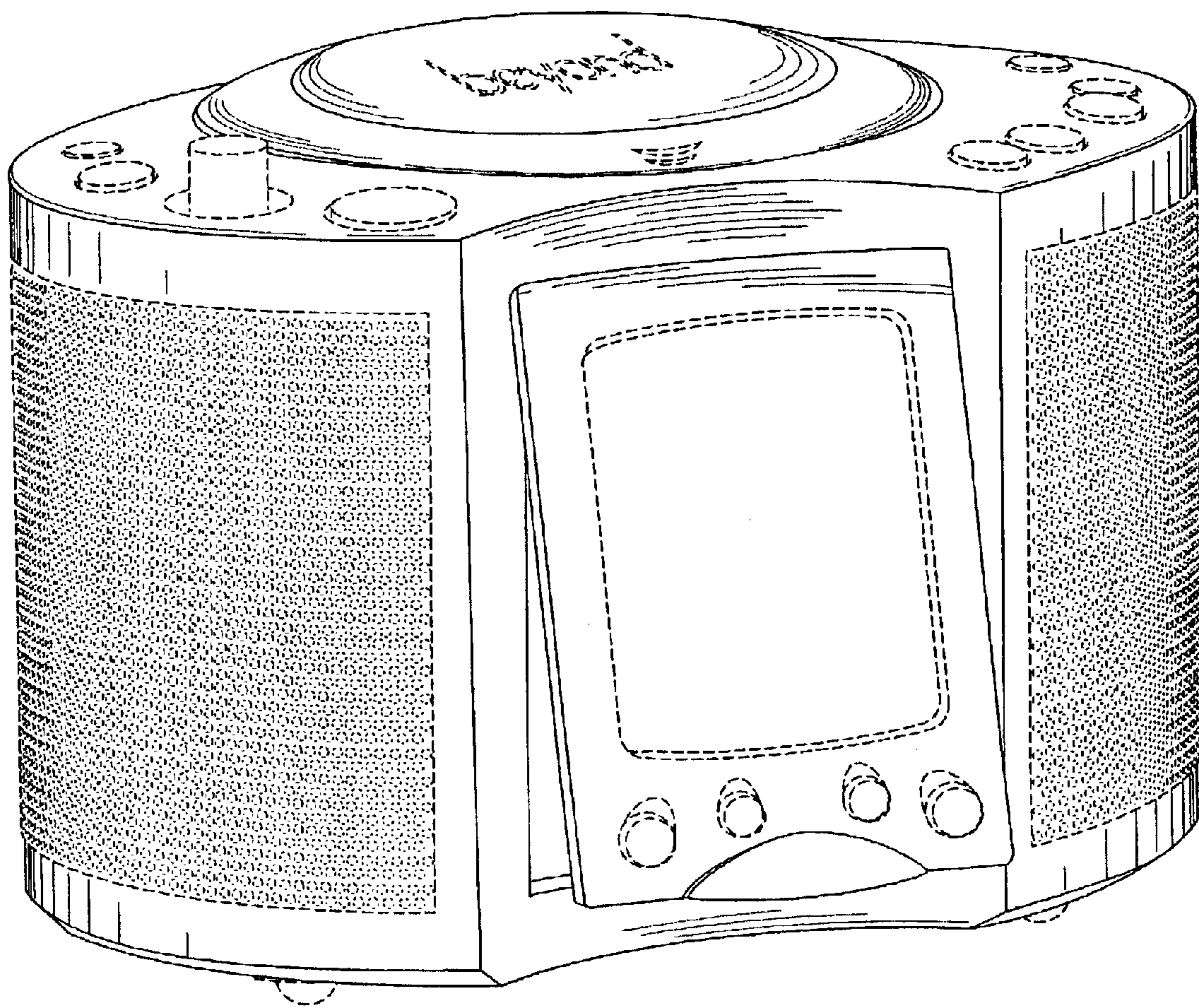


Fig. 6

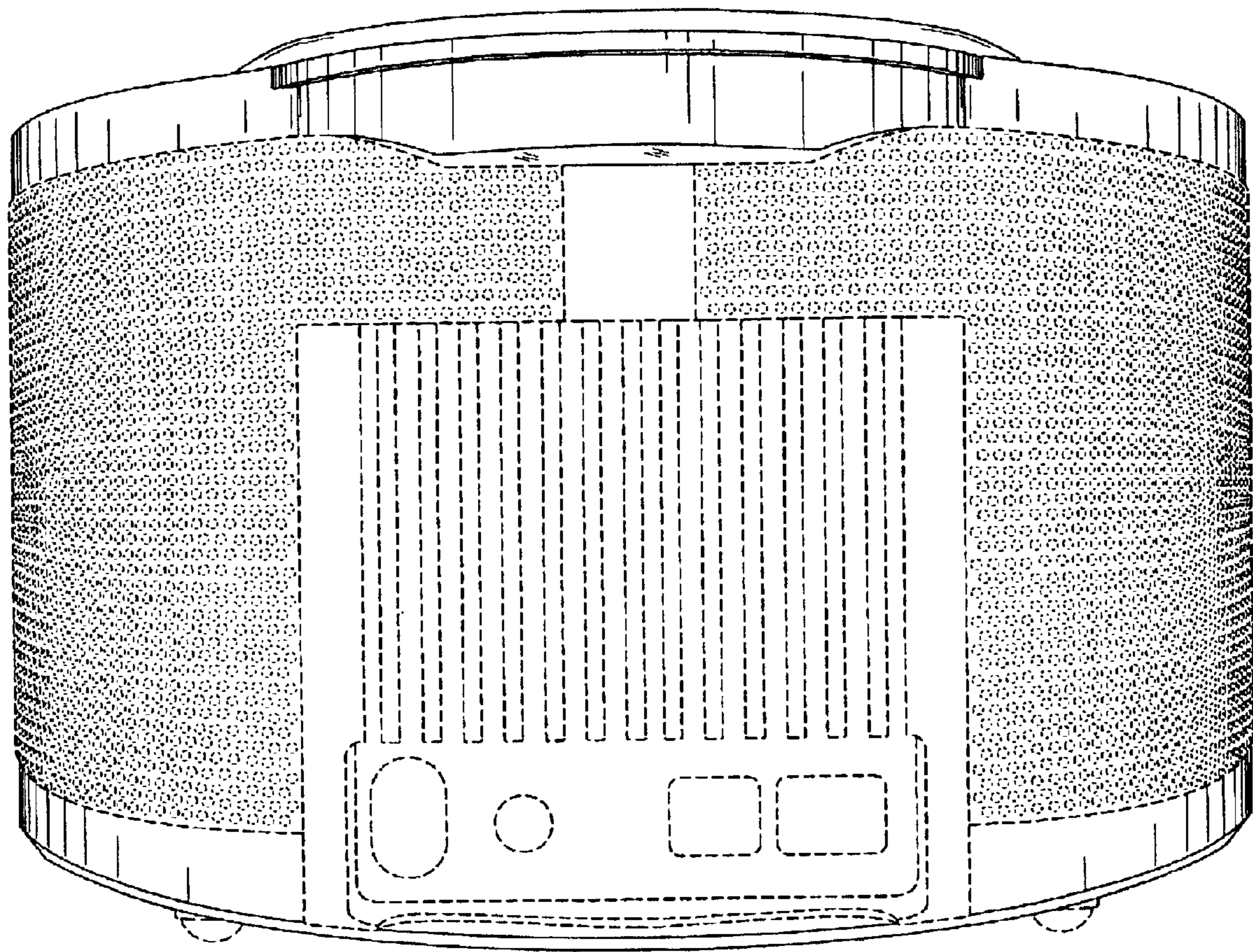


Fig. 7



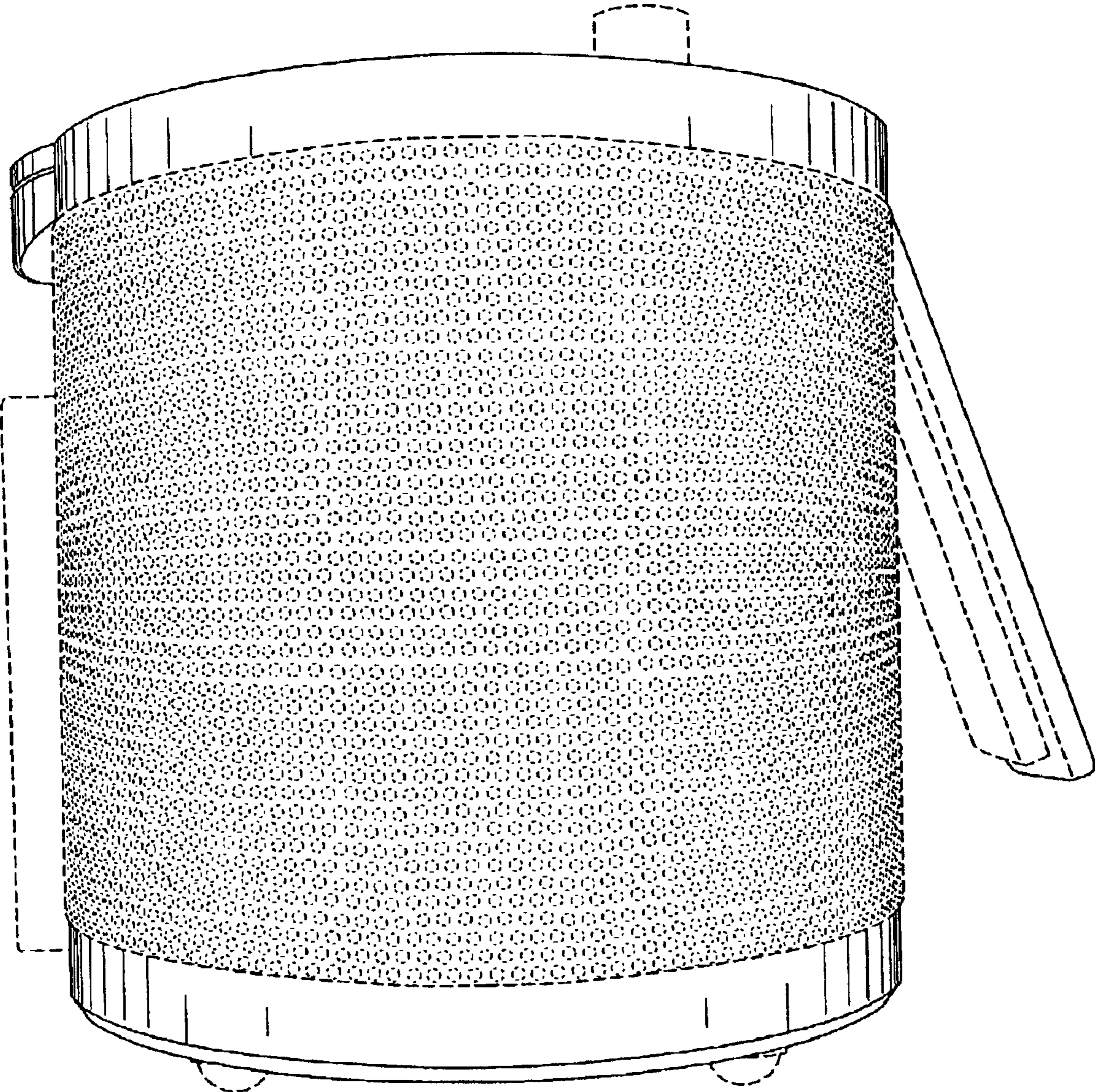


Fig. 8