



US00D491932S1

(12) **United States Design Patent**
Nakamura

(10) **Patent No.:** **US D491,932 S**
(45) **Date of Patent:** **** Jun. 22, 2004**

- (54) **BOARD UNIT**
- (75) **Inventor:** **Yoshiko Nakamura, Tokyo (JP)**
- (73) **Assignee:** **Saga Corporation, Tokyo (JP)**
- (**) **Term:** **14 Years**
- (21) **Appl. No.:** **29/177,812**
- (22) **Filed:** **Mar. 18, 2003**
- (30) **Foreign Application Priority Data**
Sep. 18, 2002 (JP) 2002-025396
- (51) **LOC (7) Cl.** **14-02**
- (52) **U.S. Cl.** **D14/300; D13/123**
- (58) **Field of Search** **D14/300, 301,**
D14/308, 312; D13/110, 123, 184; 361/697,
683, 686

D437,288 S * 2/2001 Light D13/110
D455,399 S * 4/2002 Imamura et al. D13/110

* cited by examiner

Primary Examiner—Joel Sincavage
(74) *Attorney, Agent, or Firm*—Dickstein Shapiro Morin & Oshinsky LLP

(57) **CLAIM**

The ornamental design for the board unit, as shown and described.

DESCRIPTION

FIG. 1 is a front, top and right side perspective view of a board unit showing my new design;
FIG. 2 is a front elevational view thereof;
FIG. 3 is a rear elevational view thereof;
FIG. 4 is a top plan view thereof;
FIG. 5 is a bottom plan view thereof;
FIG. 6 is a right side elevational view thereof; and,
FIG. 7 is a left side elevational view thereof.

(56) **References Cited**

U.S. PATENT DOCUMENTS

D318,845 S * 8/1991 Plumeret et al. D13/123

1 Claim, 4 Drawing Sheets

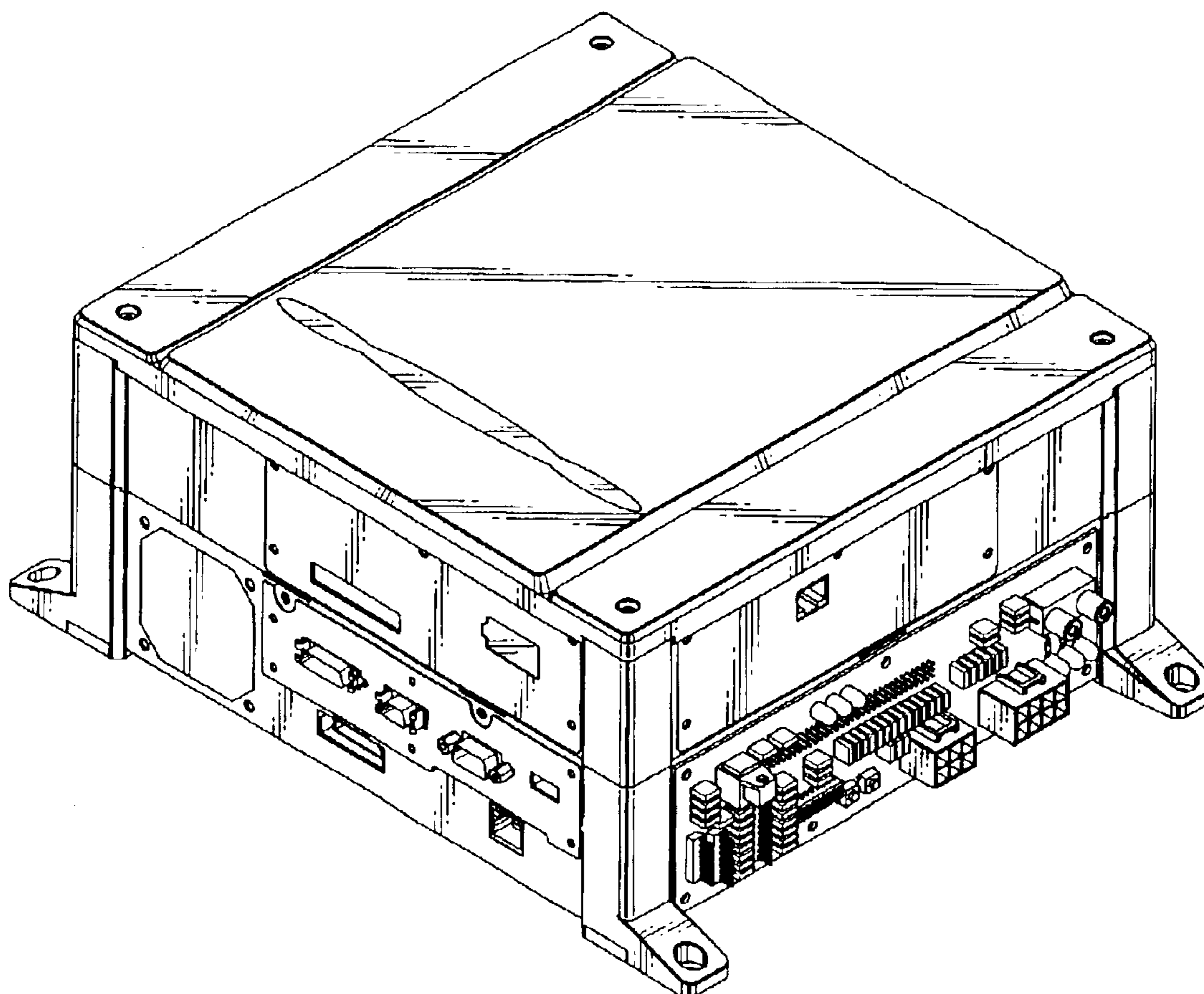


FIG. 1

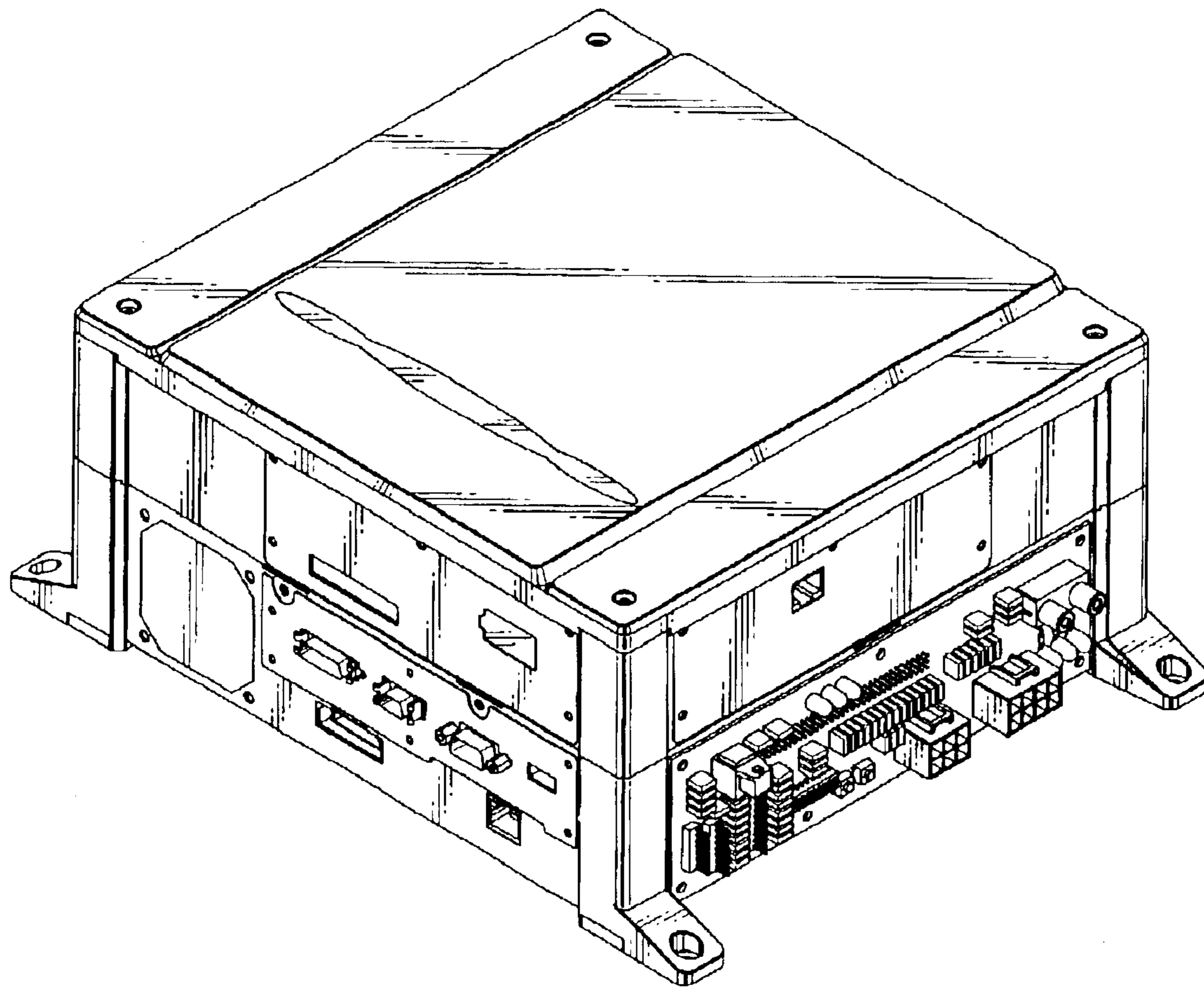


FIG. 2

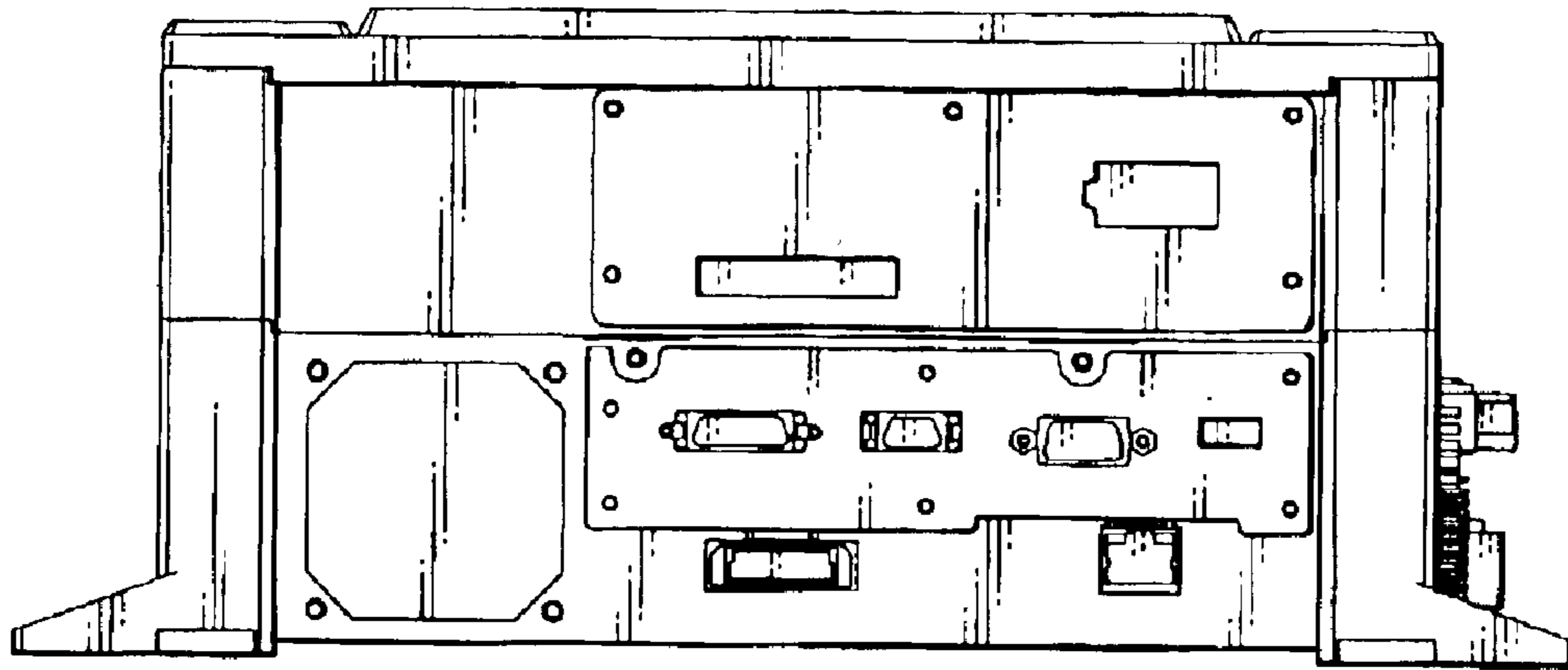


FIG. 3

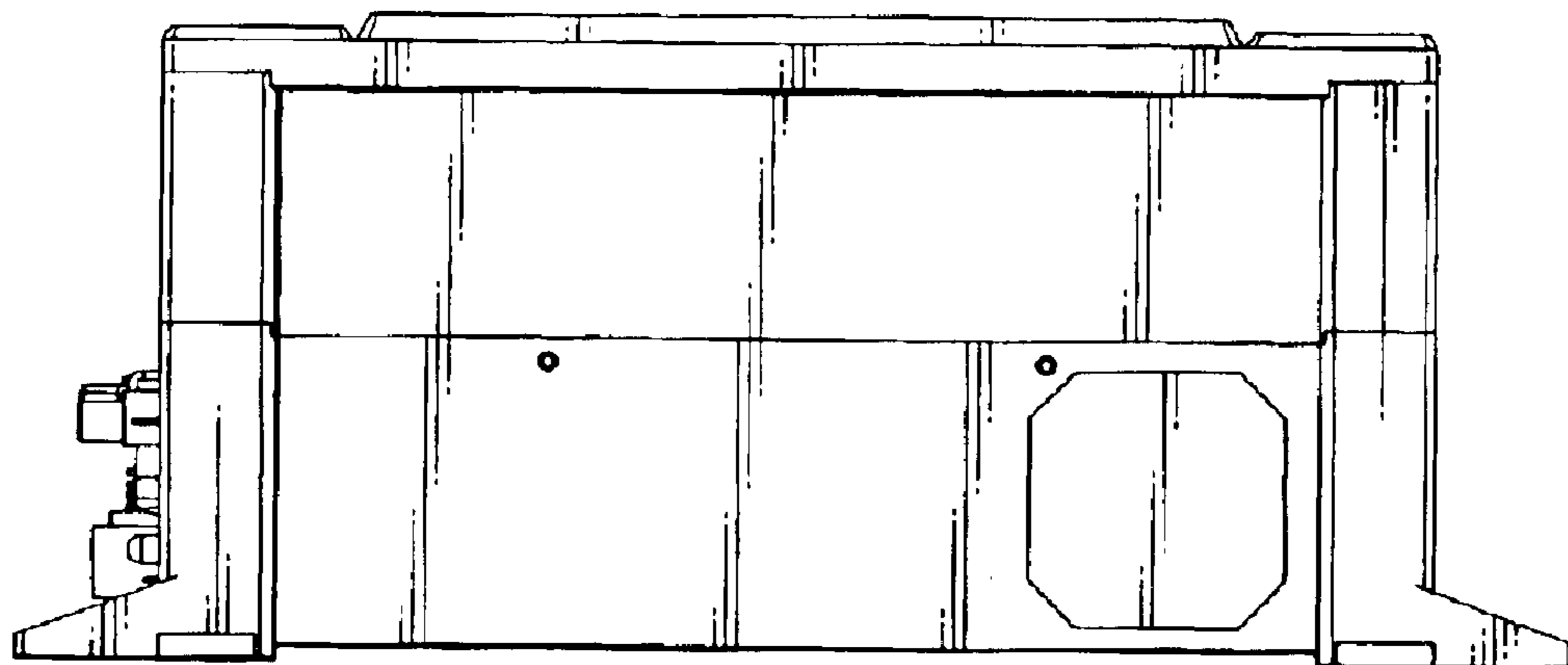


FIG. 4

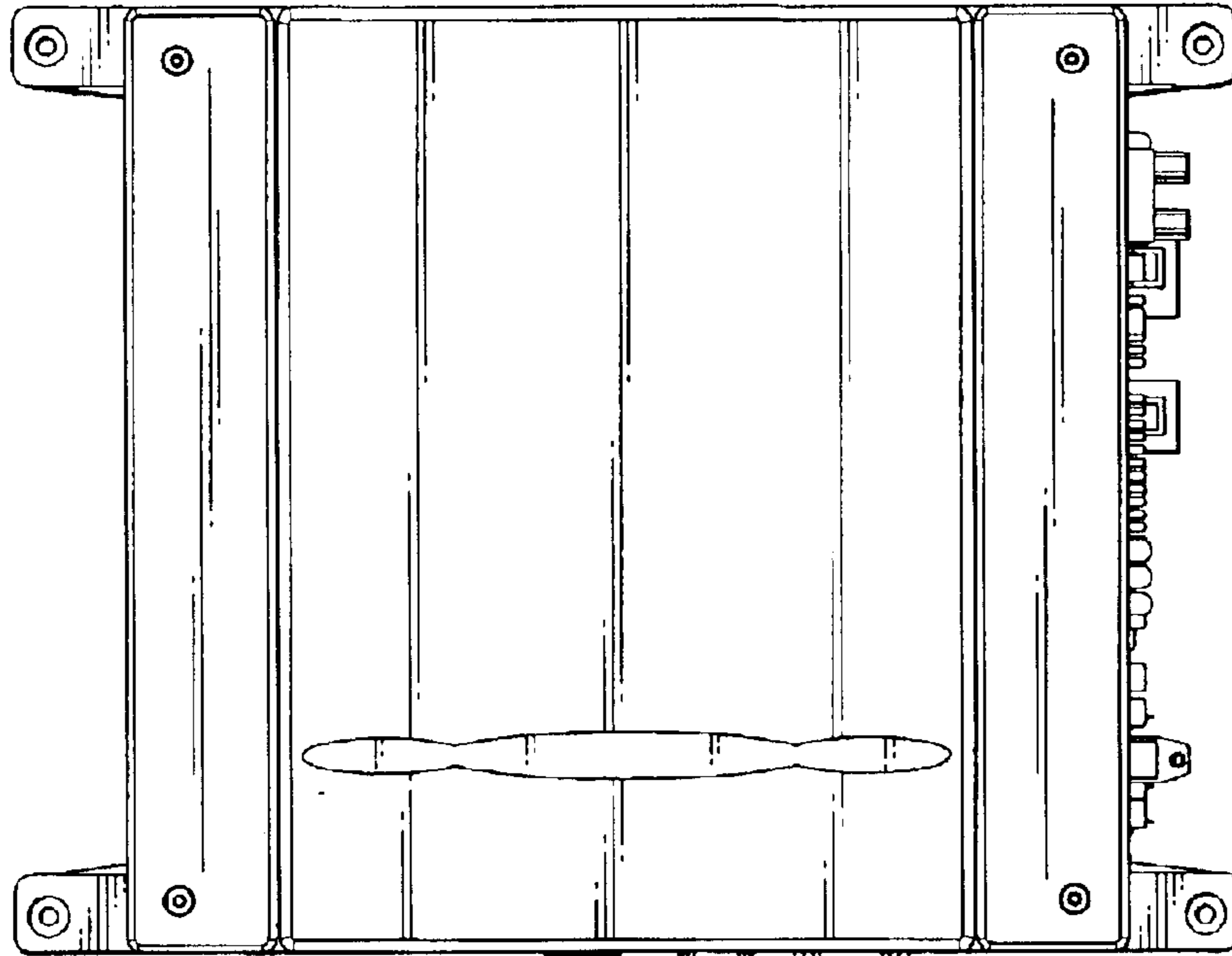


FIG. 5

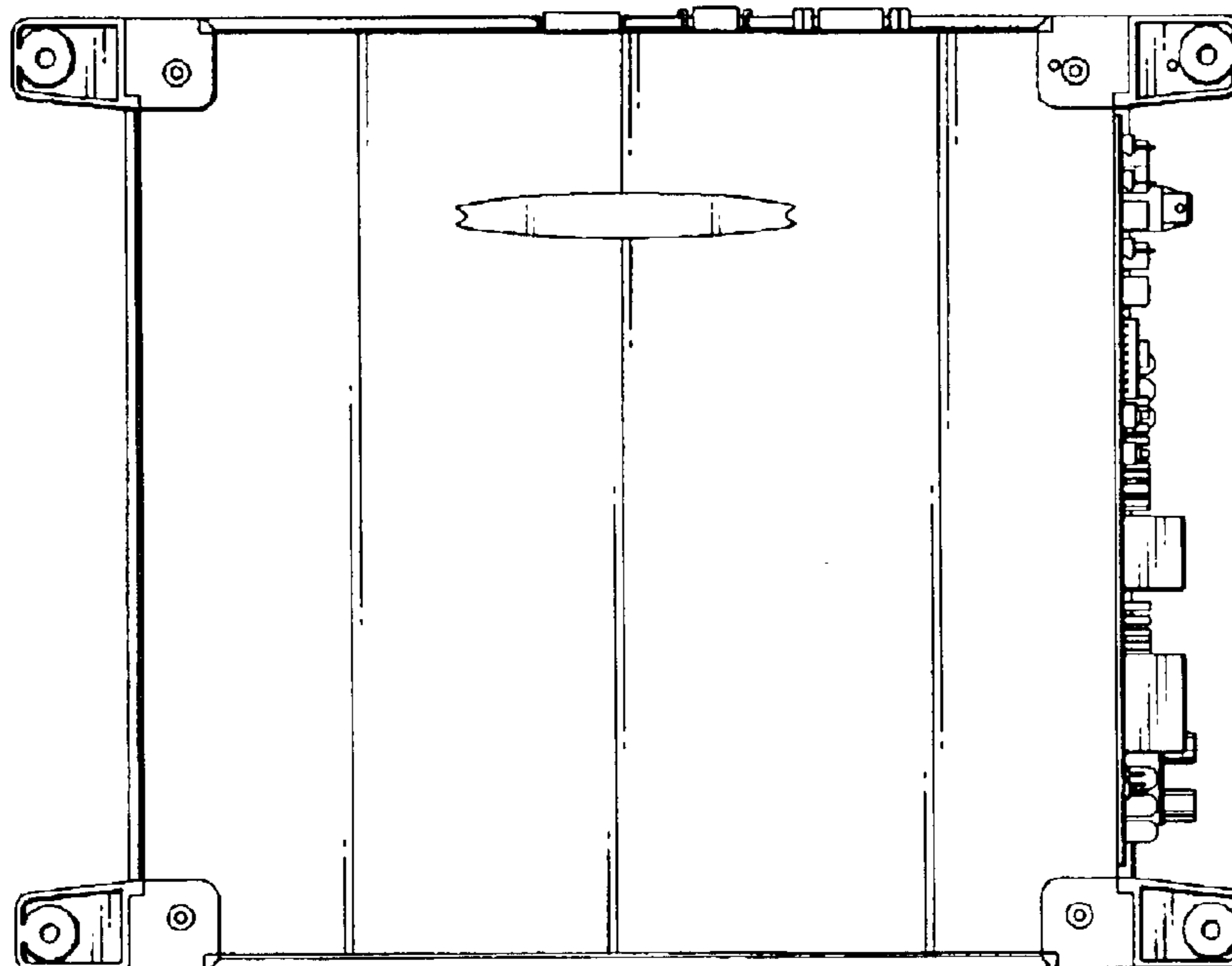


FIG. 6

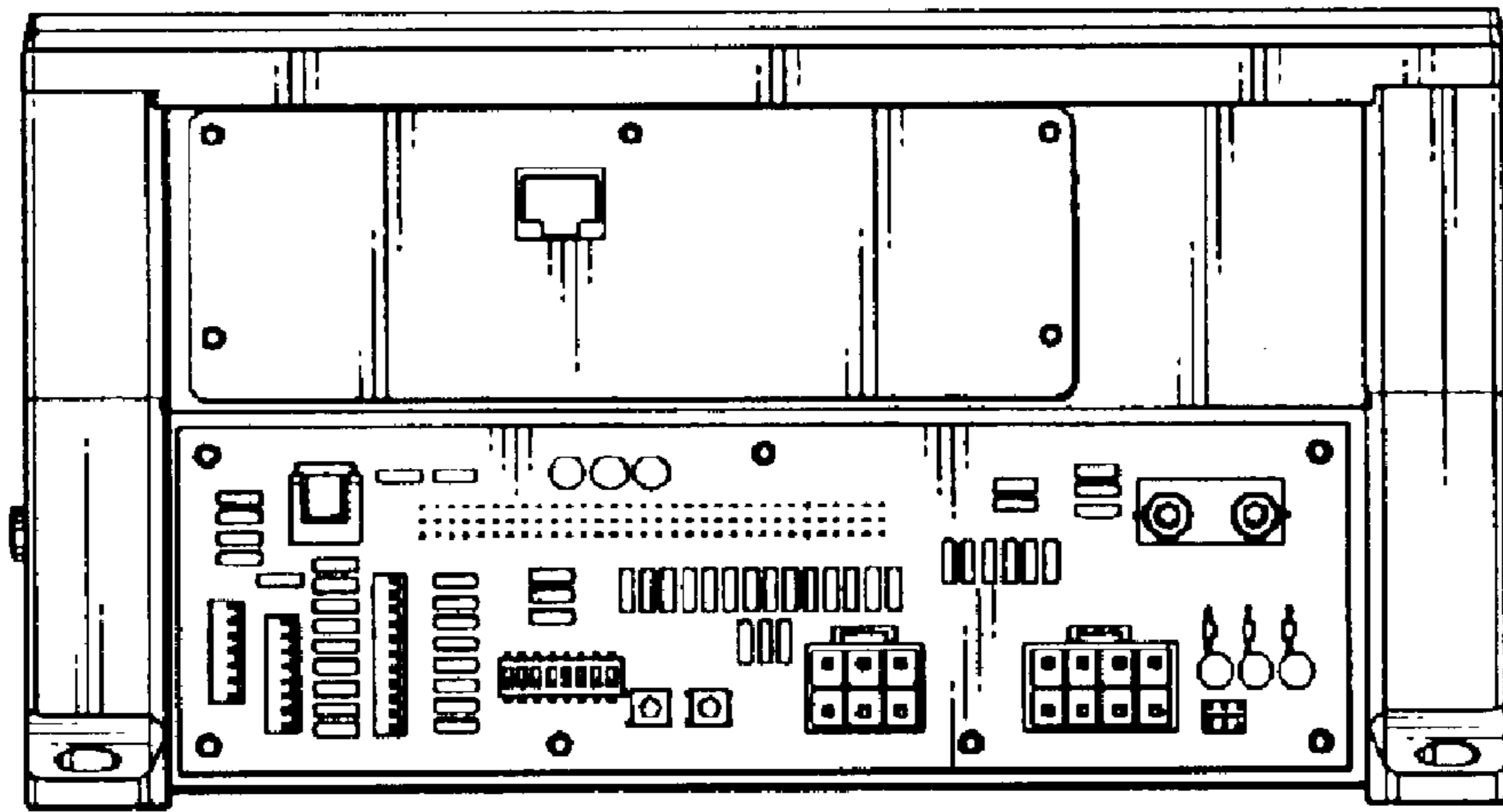


FIG. 7

