



US00D491918S1

(12) **United States Design Patent**  
**Solland**

(10) **Patent No.:** **US D491,918 S**  
(45) **Date of Patent:** **\*\* Jun. 22, 2004**

- (54) **LOUDSPEAKER**
- (75) Inventor: **Kurt Solland**, Westlake Village, CA (US)
- (73) Assignee: **Harman International Industries, Incorporated**, Northridge, CA (US)
- (\*\*) Term: **14 Years**
- (21) Appl. No.: **29/181,113**
- (22) Filed: **May 6, 2003**
- (51) **LOC (7) Cl.** ..... **14-01**
- (52) **U.S. Cl.** ..... **D14/207; D14/214**
- (58) **Field of Search** ..... D14/204, 207, D14/209-216, 356; 181/143-144, 147-148, 150, 157, 198-199, 151, 153; 381/300-302, 306, 333, 345, 361-364, 386-388

- 4,924,964 A \* 5/1990 Olsen ..... 181/151
- D408,035 S \* 4/1999 Denham ..... D14/212
- D460,437 S \* 7/2002 Lancaster et al. .... D14/214
- D471,888 S \* 3/2003 Solland ..... D14/204

\* cited by examiner

*Primary Examiner*—Nanda Bondade  
(74) *Attorney, Agent, or Firm*—Plumsea Law Group, LLC

(57) **CLAIM**

The ornamental design for a loudspeaker, as shown and described.

**DESCRIPTION**

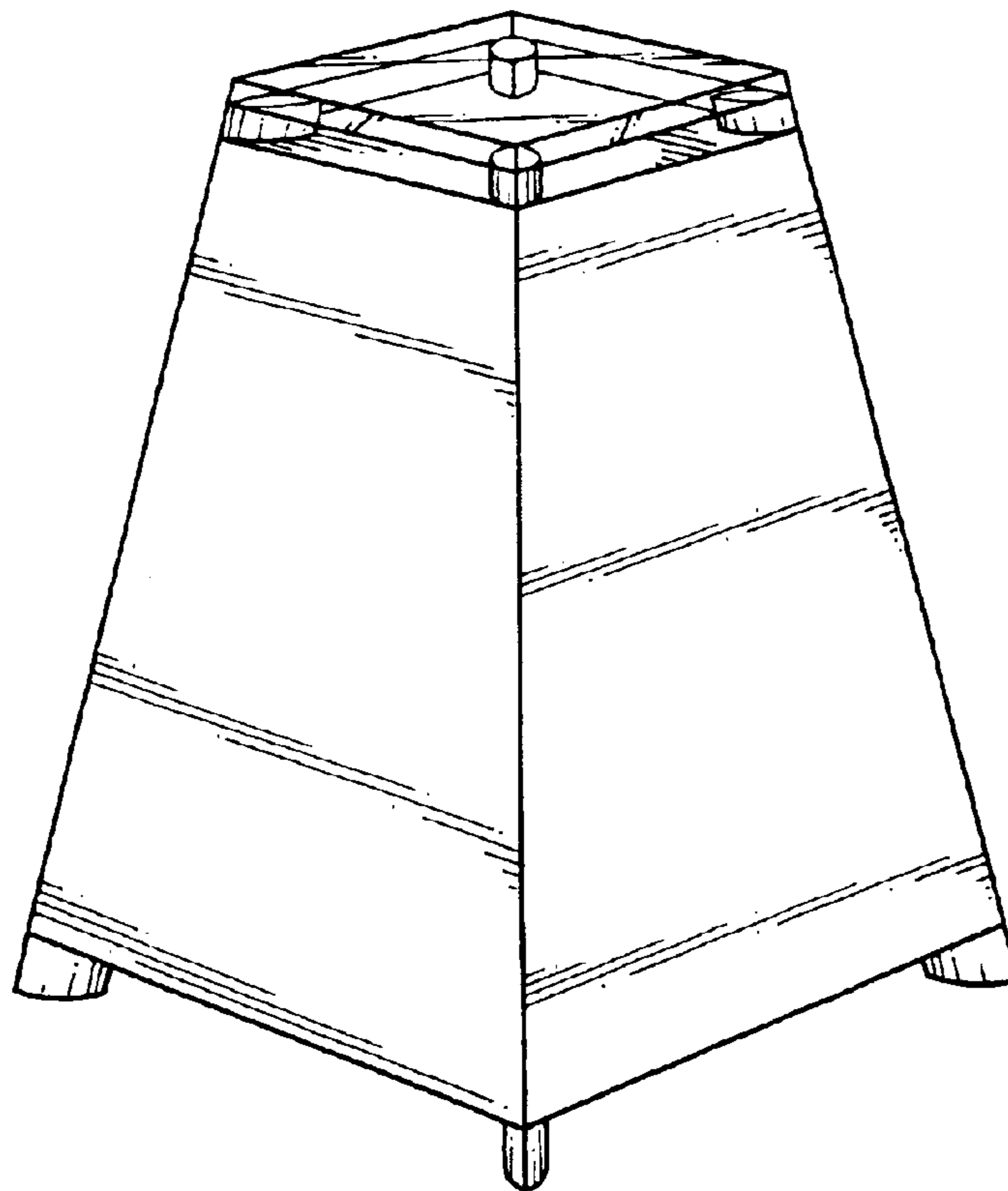
FIG. 1 is a perspective view of a loudspeaker showing my new design;  
FIG. 2 is a front elevational view thereof;  
FIG. 3 is a top view thereof; and,  
FIG. 4 is a bottom view thereof.  
The illustration of the top slab element is intended to depict a translucent material.

(56) **References Cited**

**U.S. PATENT DOCUMENTS**

- D238,880 S \* 2/1976 Elwell ..... D14/212

**1 Claim, 2 Drawing Sheets**



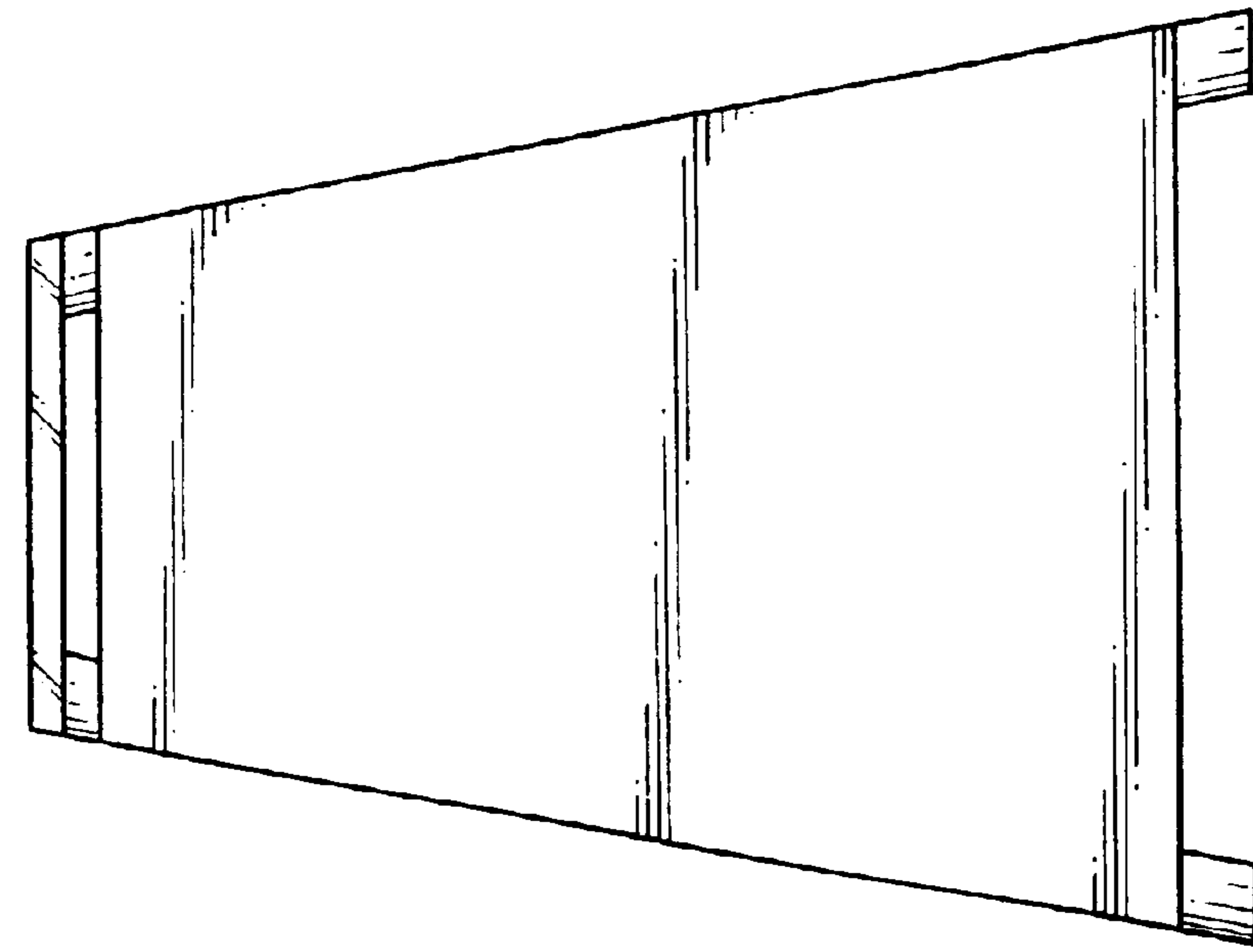


FIG.1

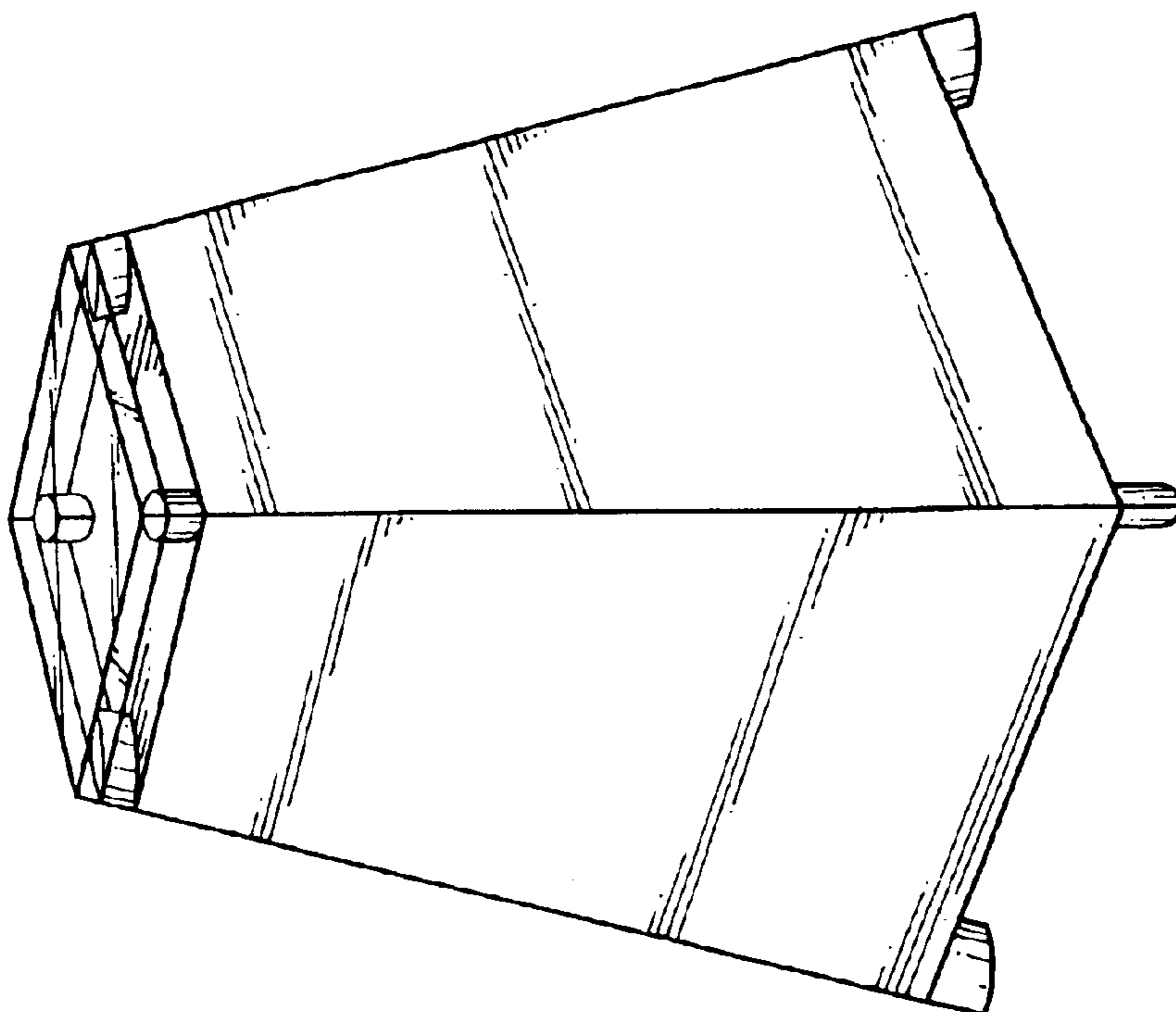


FIG.2

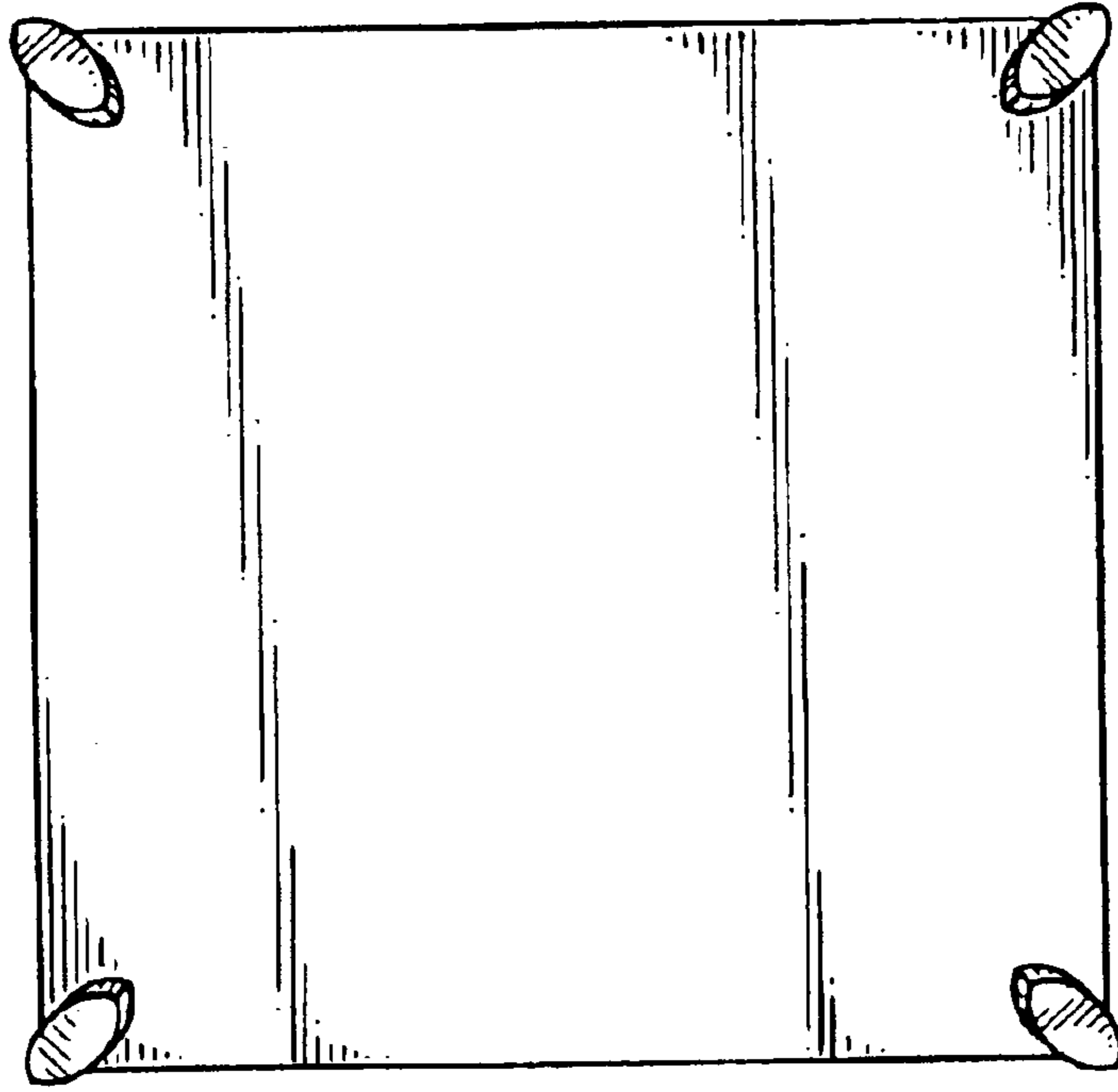


FIG. 4

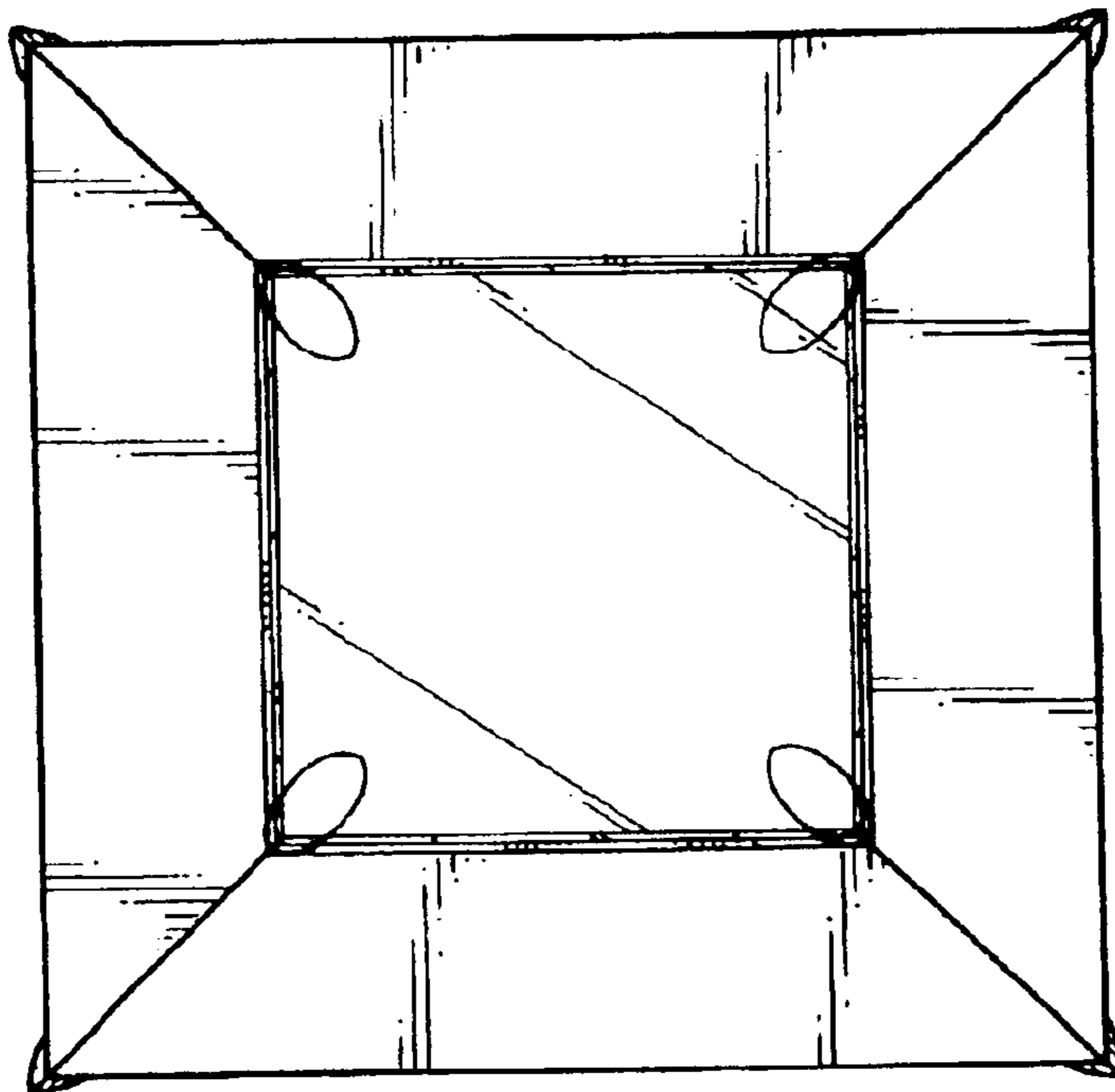


FIG. 3