

US00D491917S1

(12) **United States Design Patent**  
**Asai**

(10) **Patent No.:** **US D491,917 S**  
(45) **Date of Patent:** **\*\* Jun. 22, 2004**

(54) **HEADSET ASSEMBLY**

D449,290 S \* 10/2001 Taylor et al. .... D14/206  
D456,379 S \* 4/2002 Fitzgerald ..... D14/142

(75) Inventor: **Yoshihiko Asai**, Tokyo (JP)

**FOREIGN PATENT DOCUMENTS**

(73) Assignee: **Matsushita Electric Industrial Co., Ltd.**, Osaka (JP)

|    |          |         |
|----|----------|---------|
| JP | D1062429 | 2/2000  |
| JP | D1125517 | 11/2001 |
| JP | D1151310 | 8/2002  |
| JP | D1152541 | 9/2002  |

(\*\*) Term: **14 Years**

\* cited by examiner

(21) Appl. No.: **29/185,448**

*Primary Examiner*—Paula A. Greene

(22) Filed: **Jun. 27, 2003**

(74) *Attorney, Agent, or Firm*—Brinks Hofer Gilson & Lione

(30) **Foreign Application Priority Data**

Apr. 2, 2003 (JP) ..... 2003-009253

(57) **CLAIM**

(51) **LOC (7) Cl.** ..... **14-01**

The ornamental design for a headset assembly, as shown and described.

(52) **U.S. Cl.** ..... **D14/205**

(58) **Field of Search** ..... D14/137-138,  
D14/140, 142, 147-148, 240, 247-248,  
341-347, 205-206, 223; 379/430; 455/575.2;  
381/311, 375, 381

**DESCRIPTION**

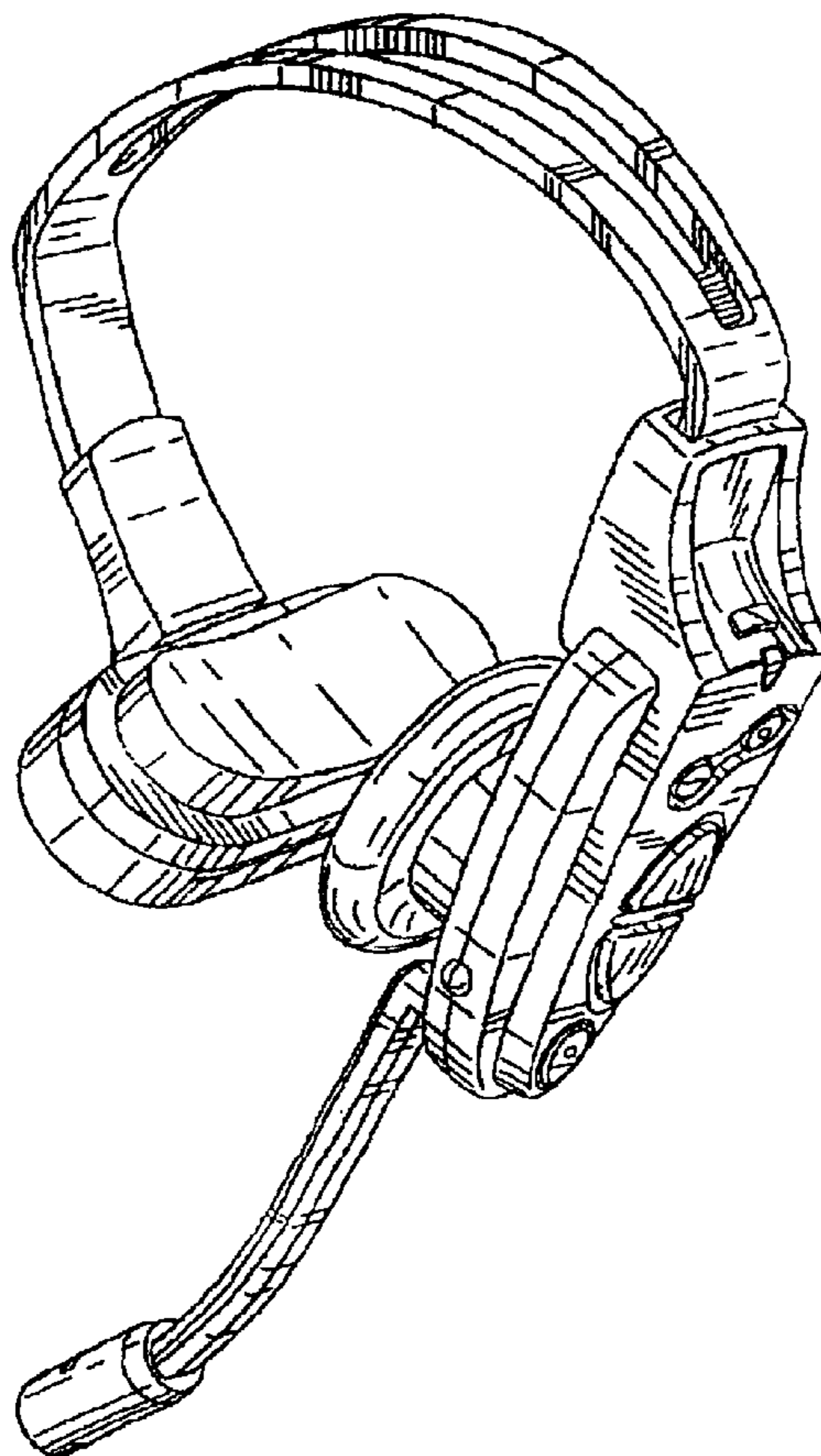
FIG. 1 is a front perspective view of a headset assembly of the present invention;  
FIG. 2 is a bottom view thereof;  
FIG. 3 is a top view thereof;  
FIG. 4 is a first side view thereof;  
FIG. 5 is a second side view thereof;  
FIG. 6 is a front view thereof; and,  
FIG. 7 is a back view thereof.

(56) **References Cited**

**U.S. PATENT DOCUMENTS**

|            |   |        |             |       |         |
|------------|---|--------|-------------|-------|---------|
| D358,390 S | * | 5/1995 | Hayashi     | ..... | D14/205 |
| D394,436 S | * | 5/1998 | Hall et al. | ..... | D14/206 |
| D425,888 S | * | 5/2000 | Fitzgerald  | ..... | D14/142 |
| D429,229 S | * | 8/2000 | Fitzgerald  | ..... | D14/142 |

**1 Claim, 7 Drawing Sheets**



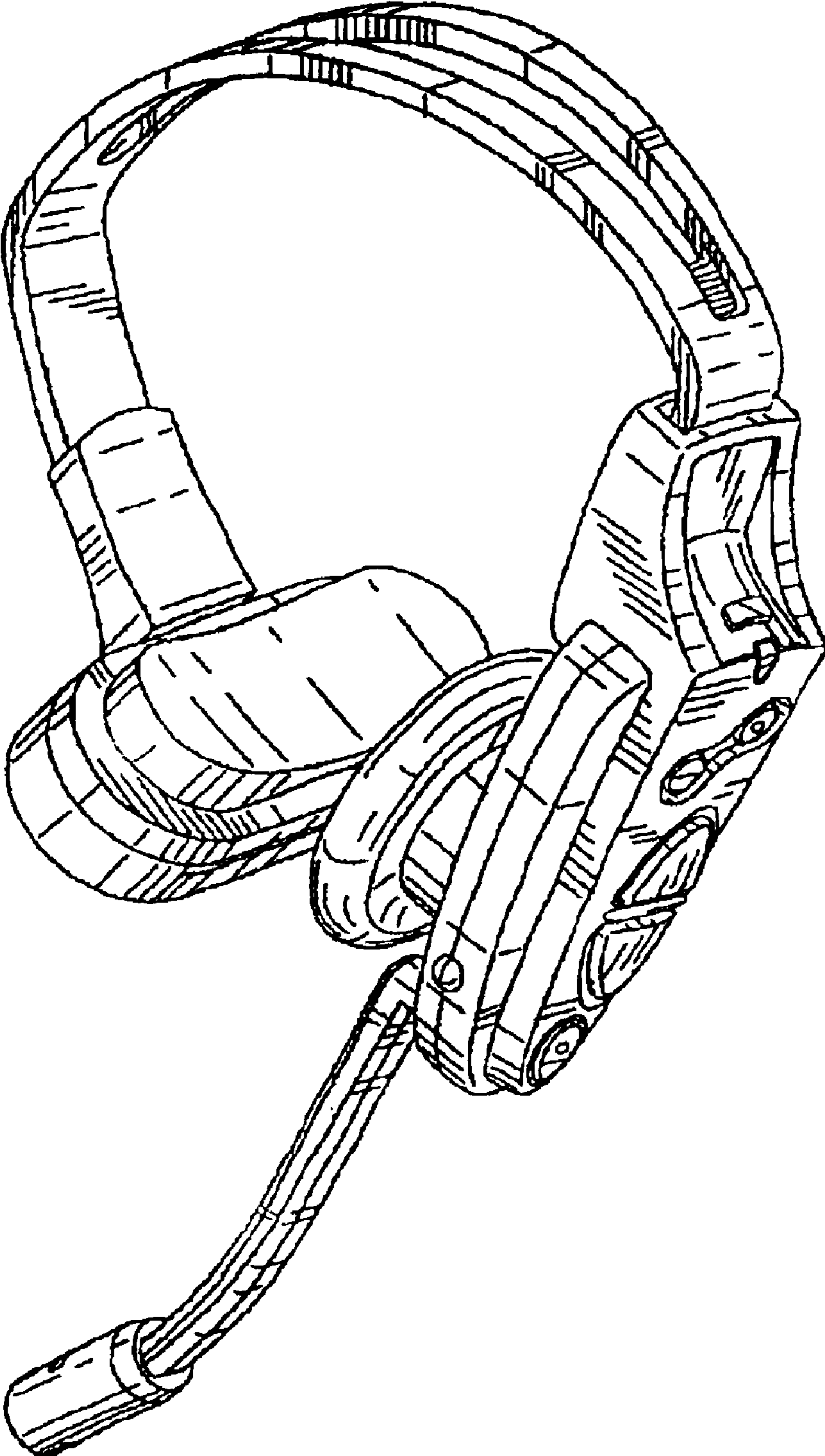


FIG. 1

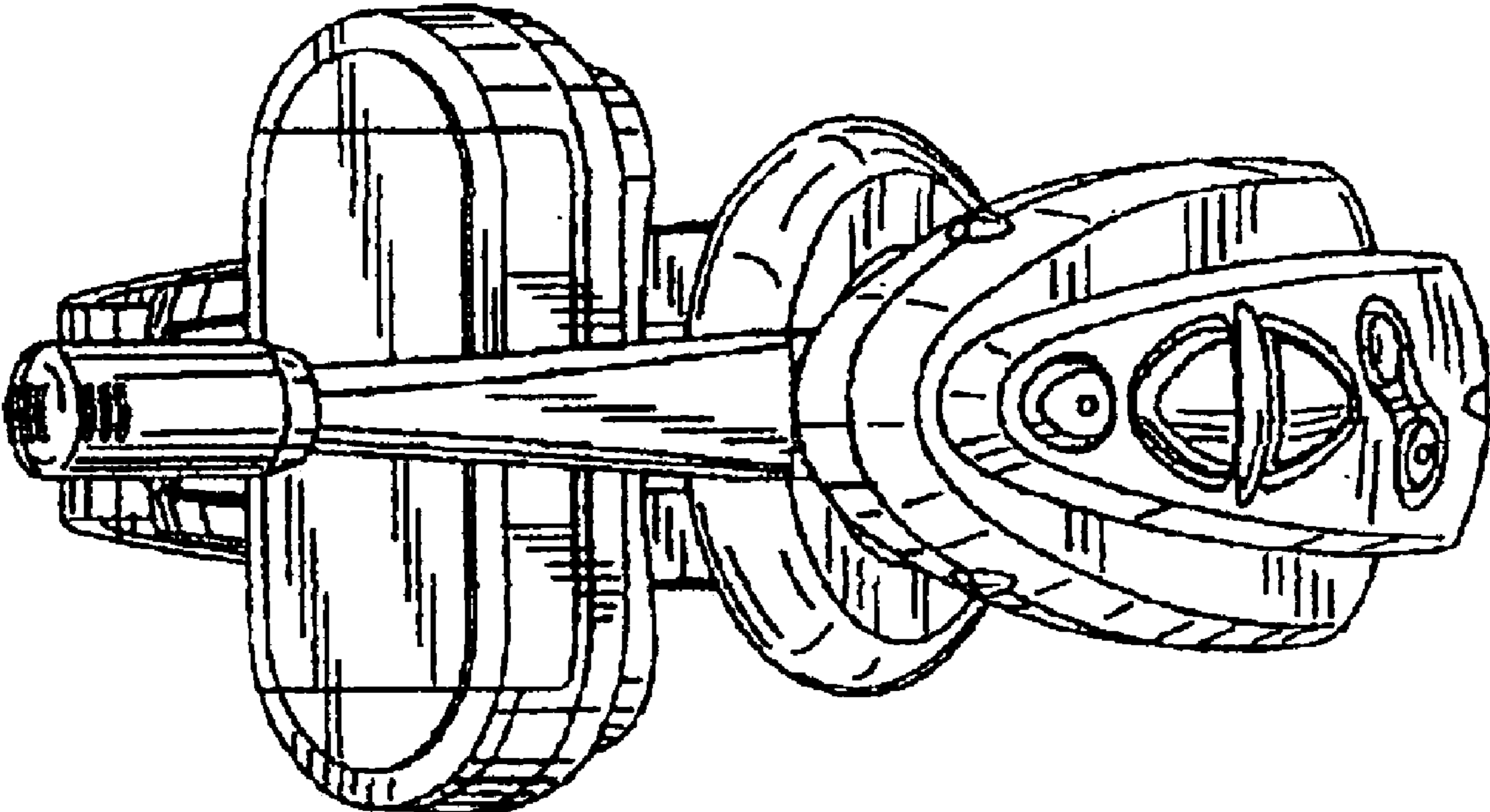


FIG. 2

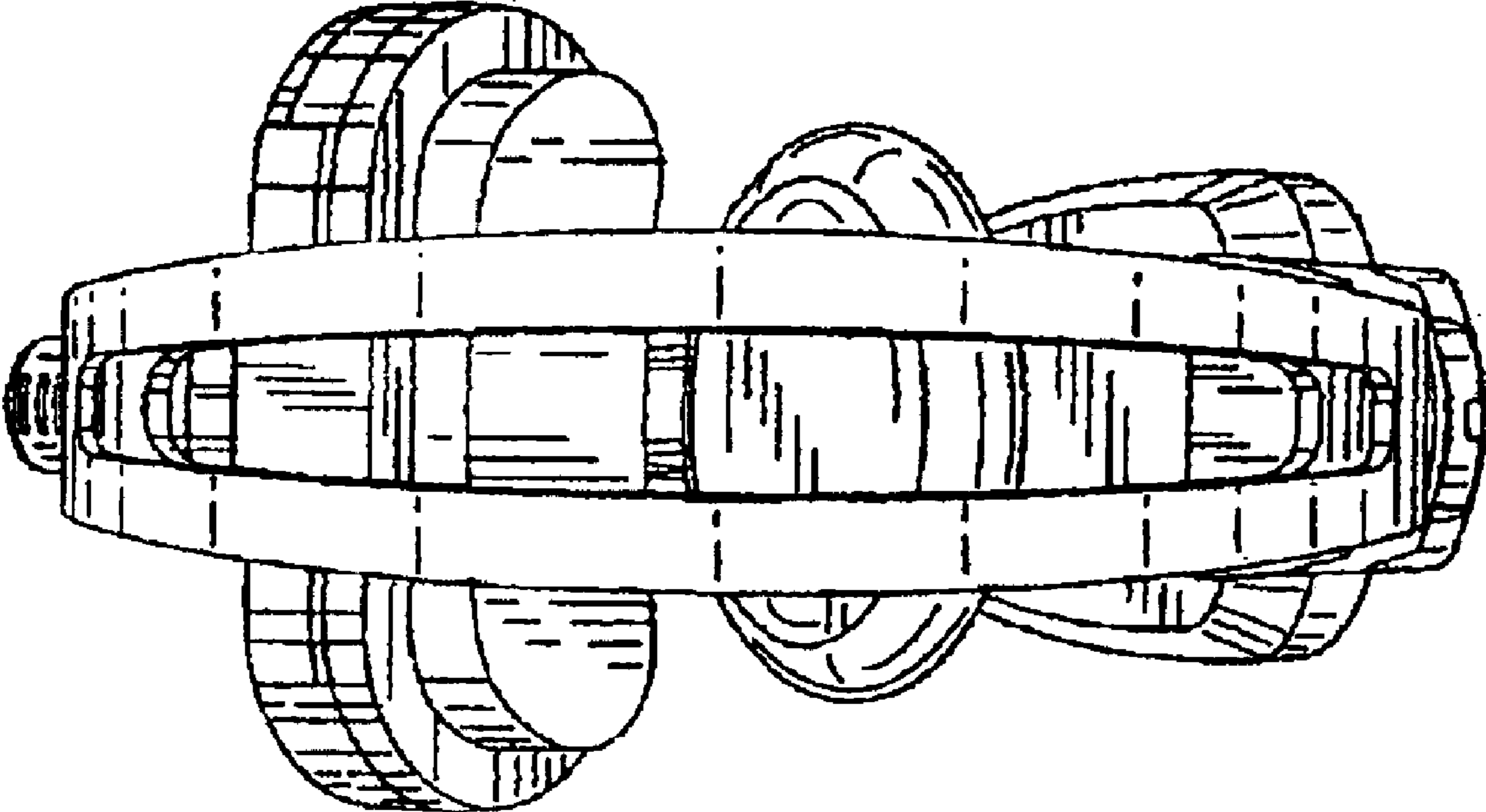


FIG. 3

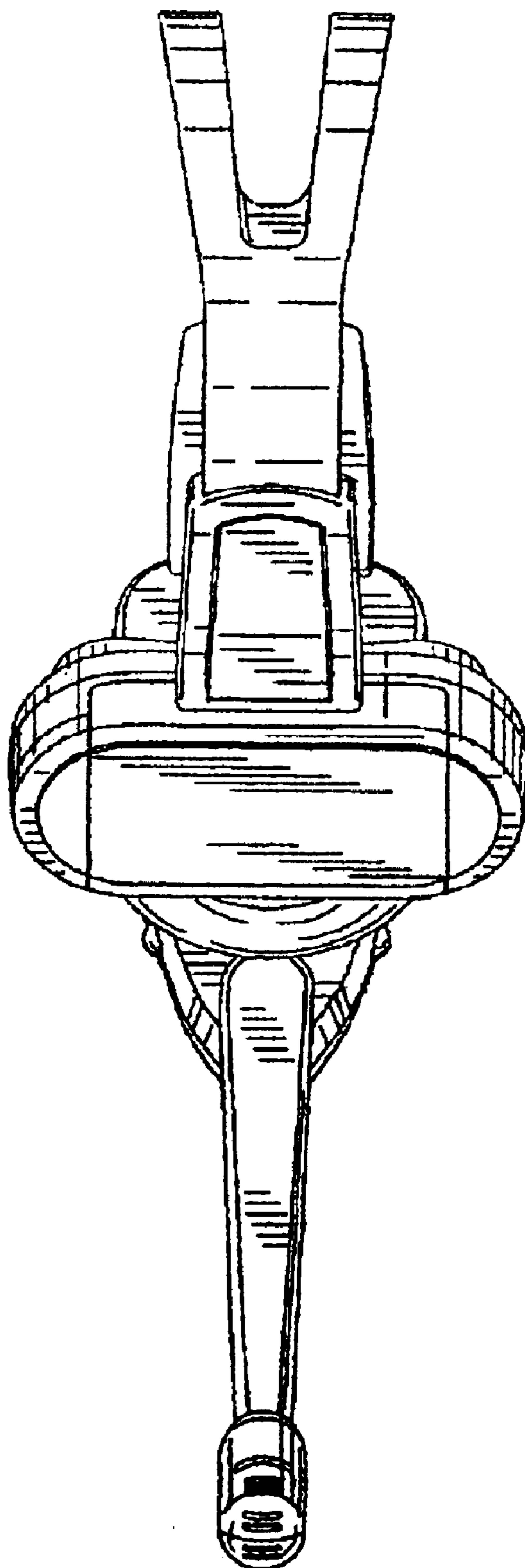


FIG. 4



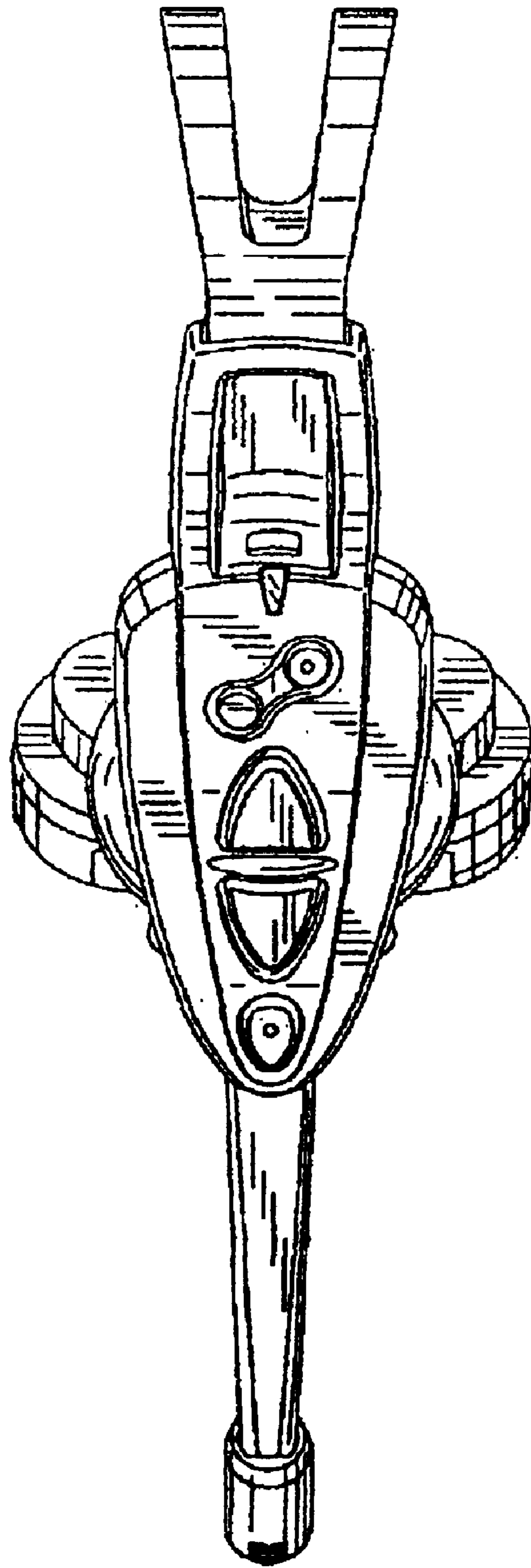


FIG. 5

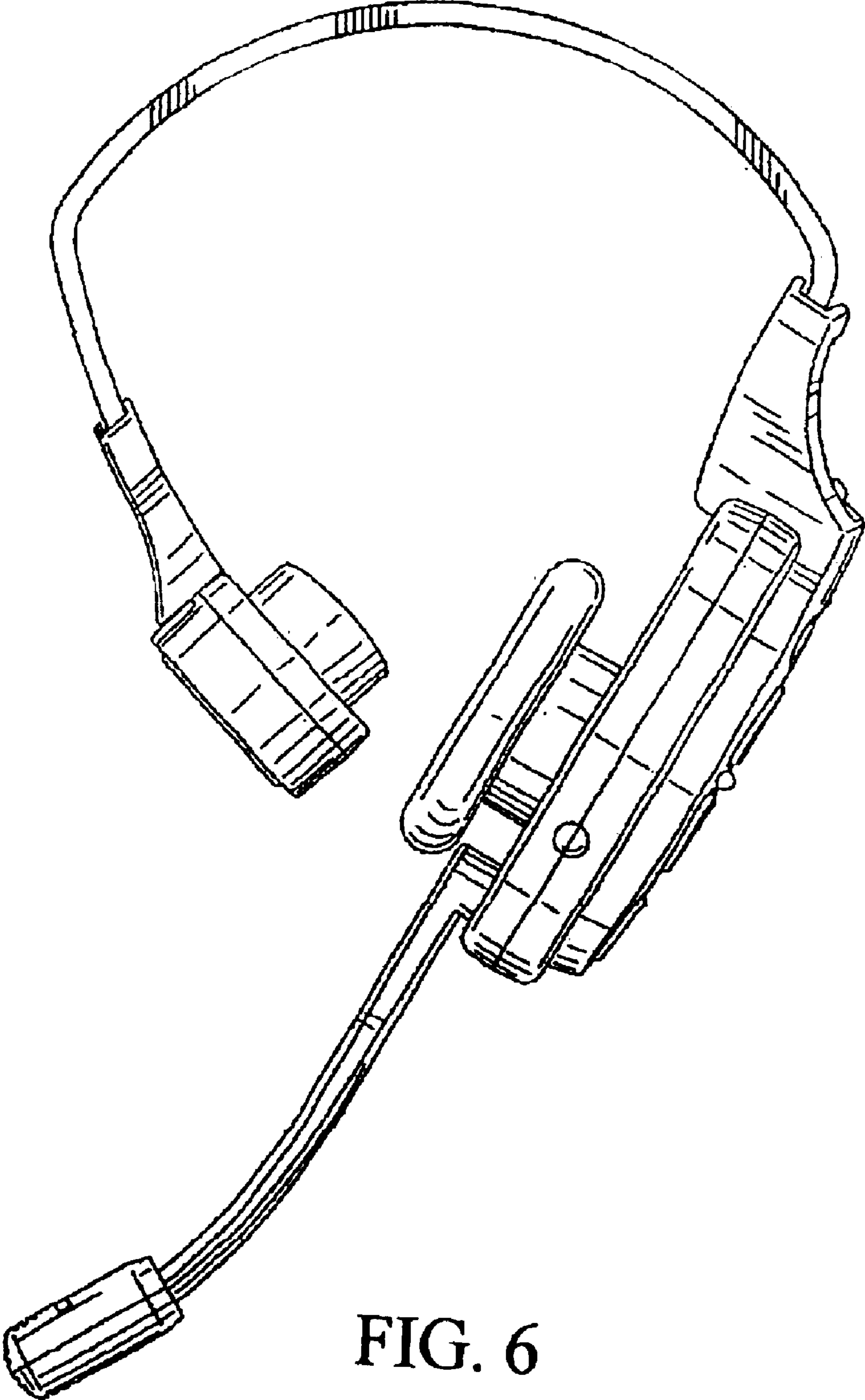


FIG. 6

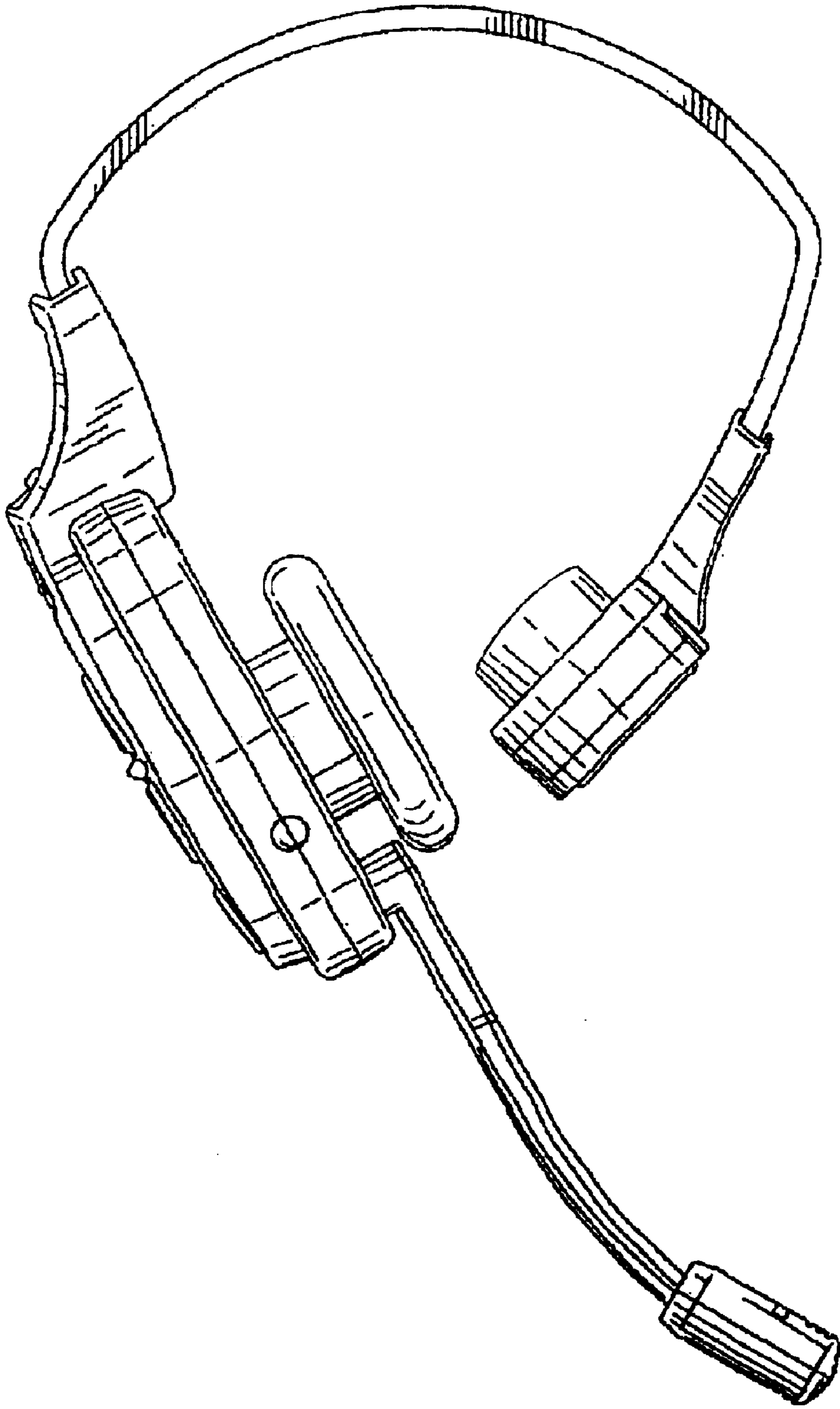


FIG. 7