

US00D491916S1

(12) **United States Design Patent**  
**Allen**

(10) **Patent No.:** **US D491,916 S**  
(45) **Date of Patent:** **\*\* Jun. 22, 2004**

(54) **LOUDSPEAKER**

(75) **Inventor:** **Graham David Allen**, Alderley Edge  
(GB)

(73) **Assignee:** **KH Technology Corporation**, Grand  
Cayman (KY)

(\*\*) **Term:** **14 Years**

(21) **Appl. No.:** **29/185,603**

(22) **Filed:** **Jun. 30, 2003**

(30) **Foreign Application Priority Data**

Jan. 11, 2003 (GB) ..... 3009988

(51) **LOC (7) Cl.** ..... **14-01**

(52) **U.S. Cl.** ..... **D14/204; D14/216**

(58) **Field of Search** ..... D14/204, 207,  
D14/209-216, 356; 181/143-144, 147-148,  
150, 157, 198-199, 151, 153; 381/300-302,  
306, 333, 345, 361-364, 386-388

(56) **References Cited**

**U.S. PATENT DOCUMENTS**

D362,668 S \* 9/1995 Esslinger ..... D14/215

D369,605 S \* 5/1996 Lin ..... D14/211  
D429,717 S \* 8/2000 Kizawa ..... D14/215  
D436,587 S \* 1/2001 Liu et al. .... D14/214  
D463,400 S \* 9/2002 Narita ..... D14/214  
D468,754 S \* 1/2003 Dershem et al. .... D15/28

\* cited by examiner

*Primary Examiner*—Nanda Bondade

(74) *Attorney, Agent, or Firm*—Kenneth L. Sherman, Esq.;  
Myers Dawes Andras & Sherman, LLP

(57) **CLAIM**

I claim the ornamental design for a loudspeaker, substan-  
tially as shown and described.

**DESCRIPTION**

FIG. 1 is a front perspective view of the loudspeaker  
showing my new design;  
FIG. 2 is a front perspective view thereof, shown without the  
grille for clarity of illustration;  
FIG. 3 is a front view of FIG. 1;  
FIG. 4 is a rear view thereof;  
FIG. 5 is a right side view thereof;  
FIG. 6 is a top plan view thereof; and,  
FIG. 7 is a bottom plan view thereof.

**1 Claim, 3 Drawing Sheets**

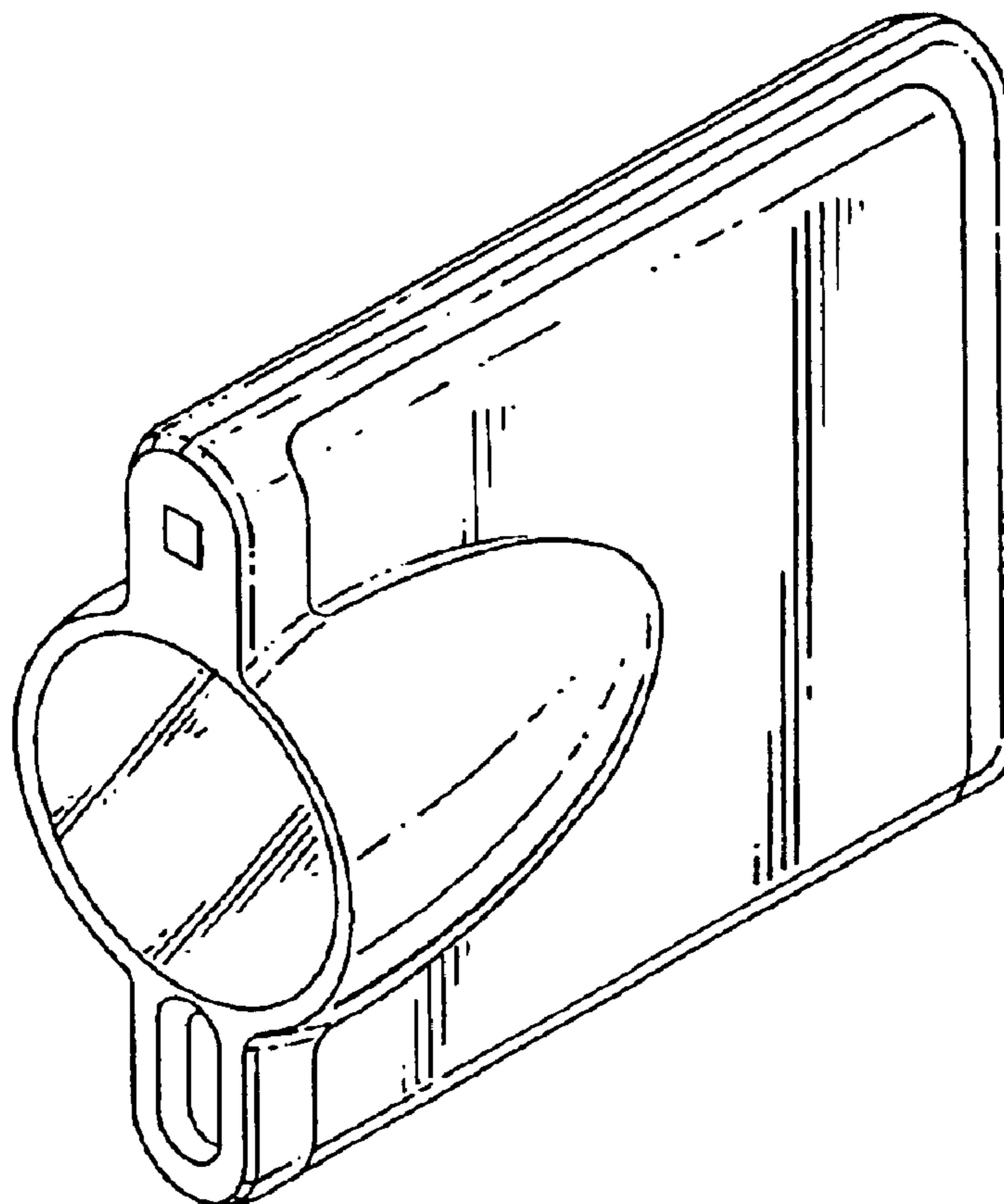


FIG. 1

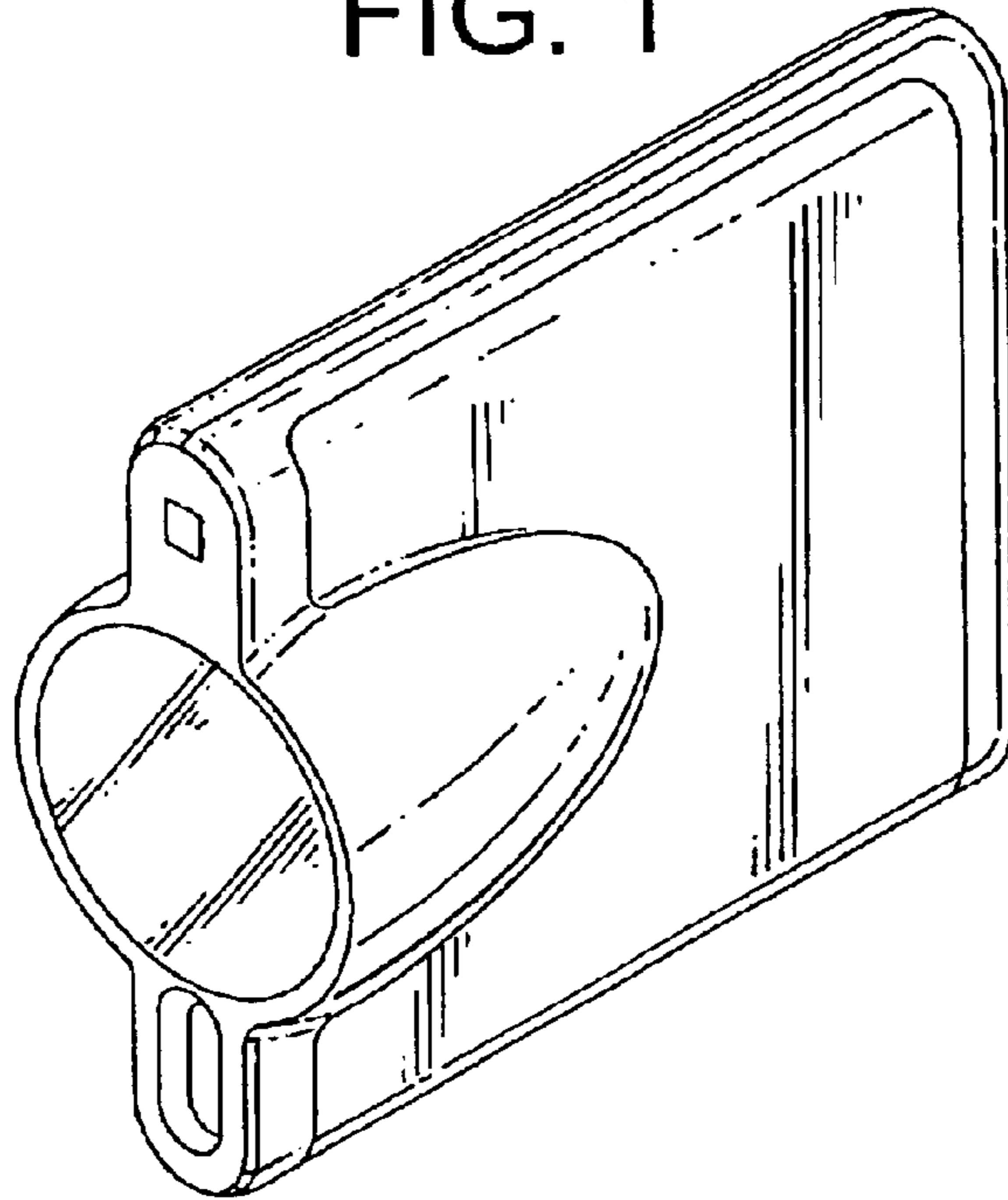


FIG. 2

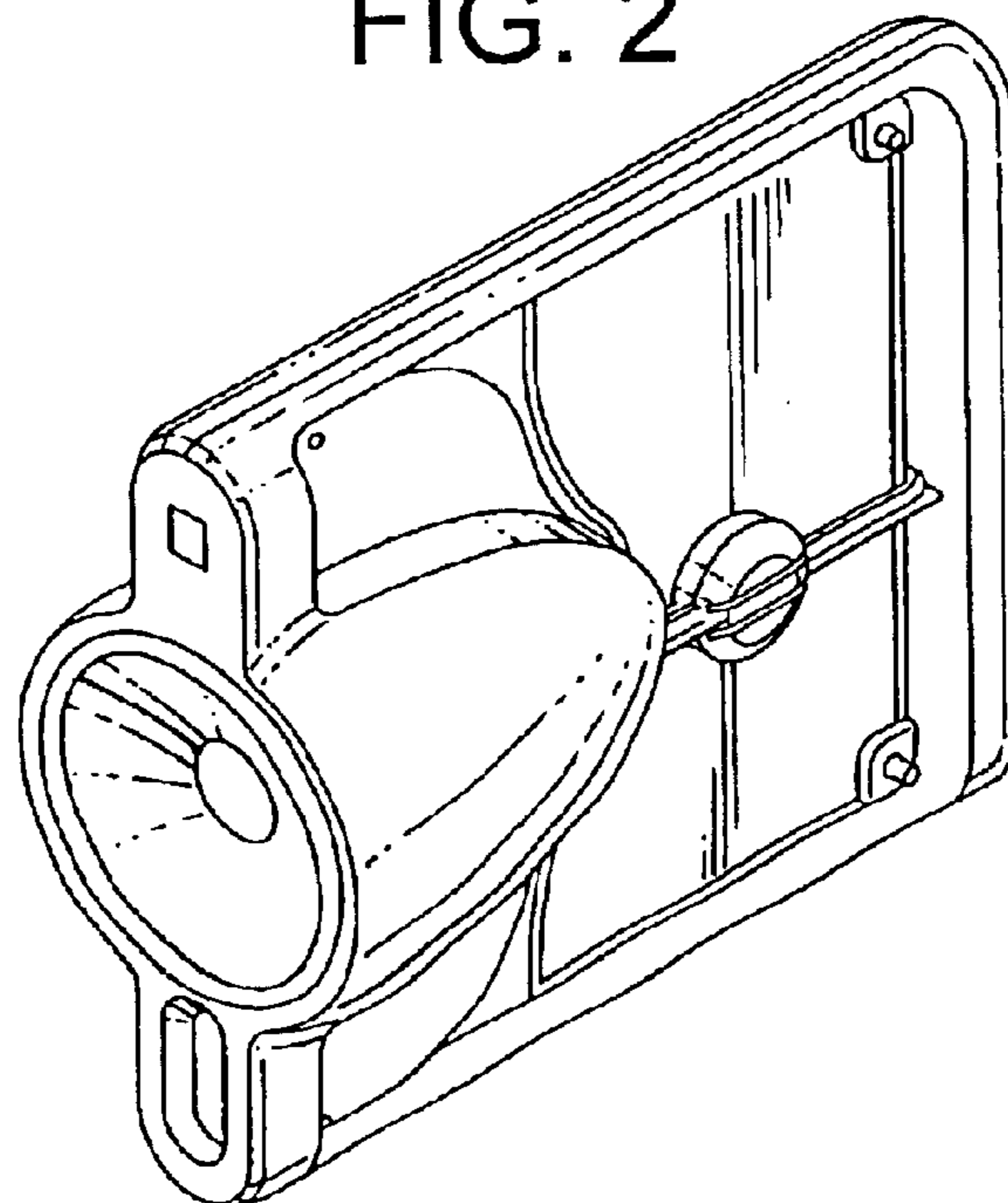


FIG. 3

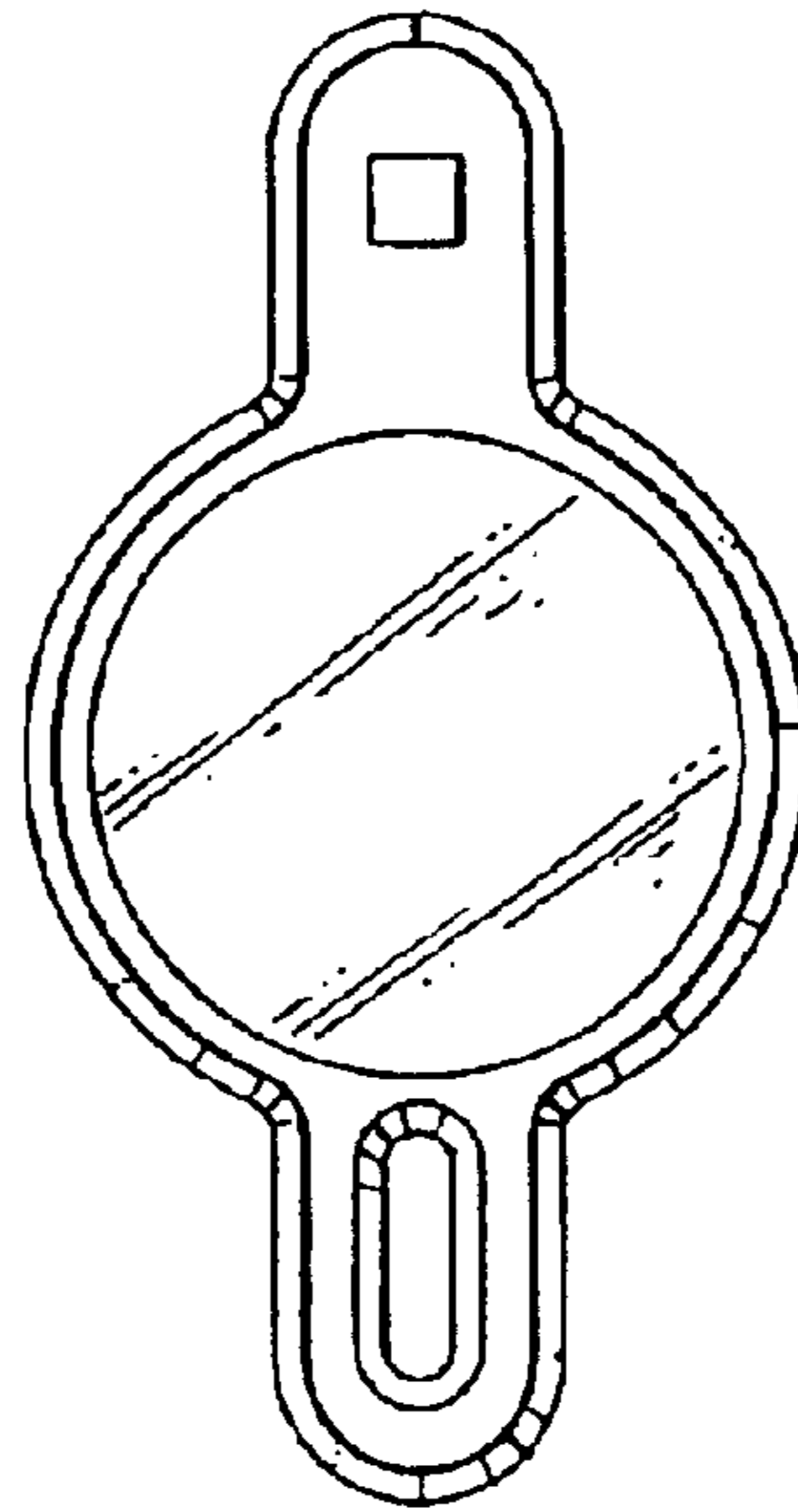


FIG. 4

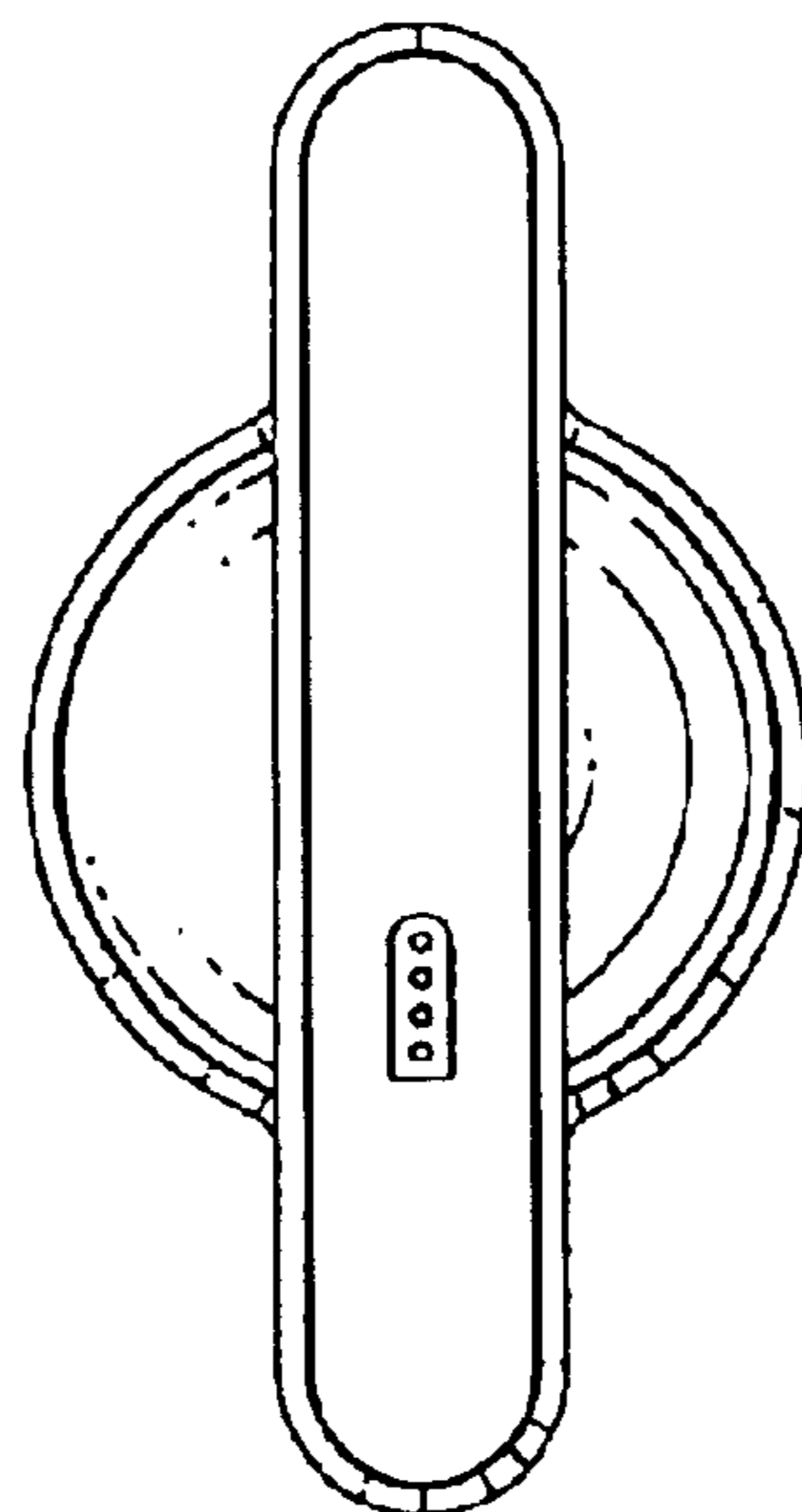


FIG. 5

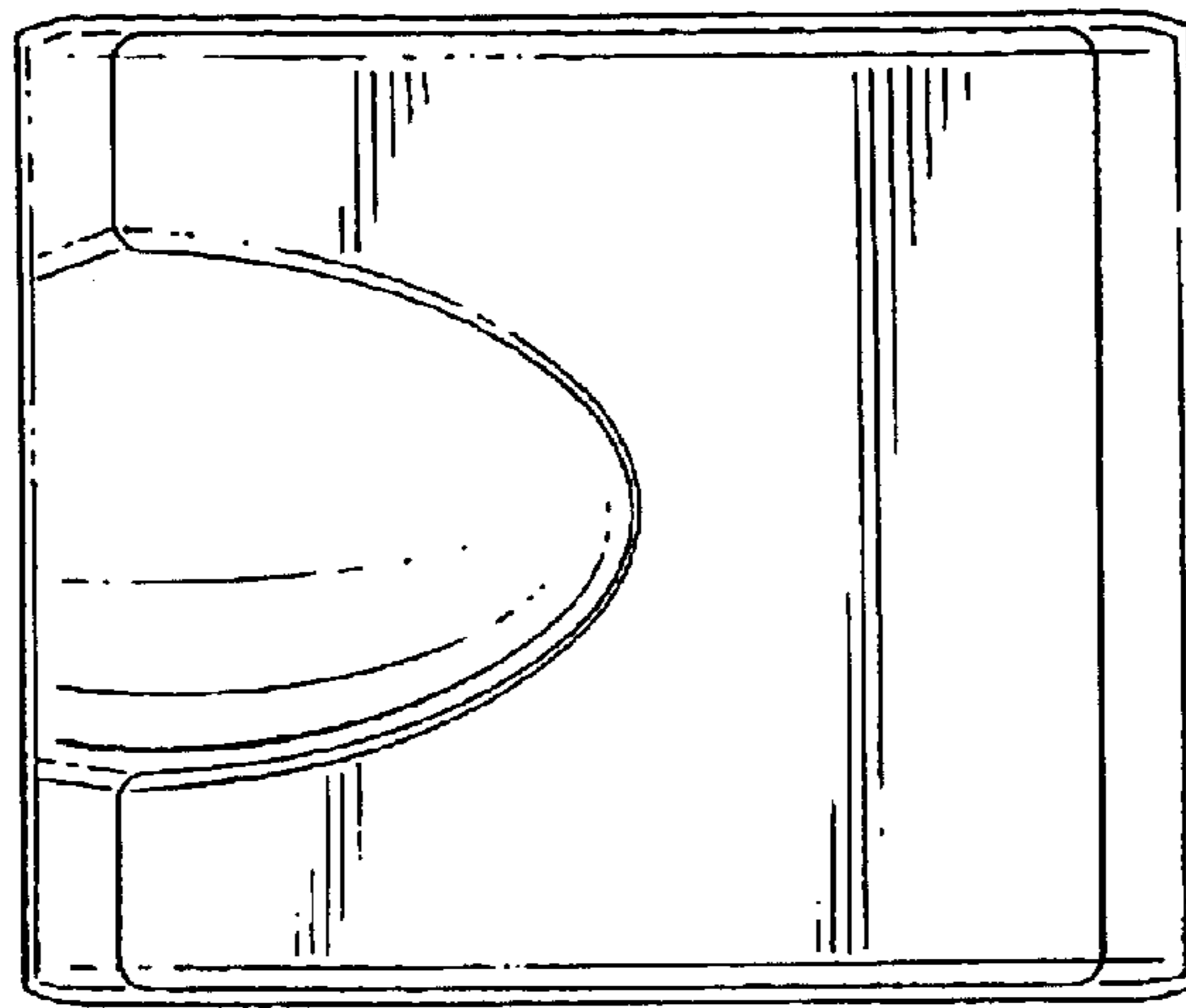


FIG. 6

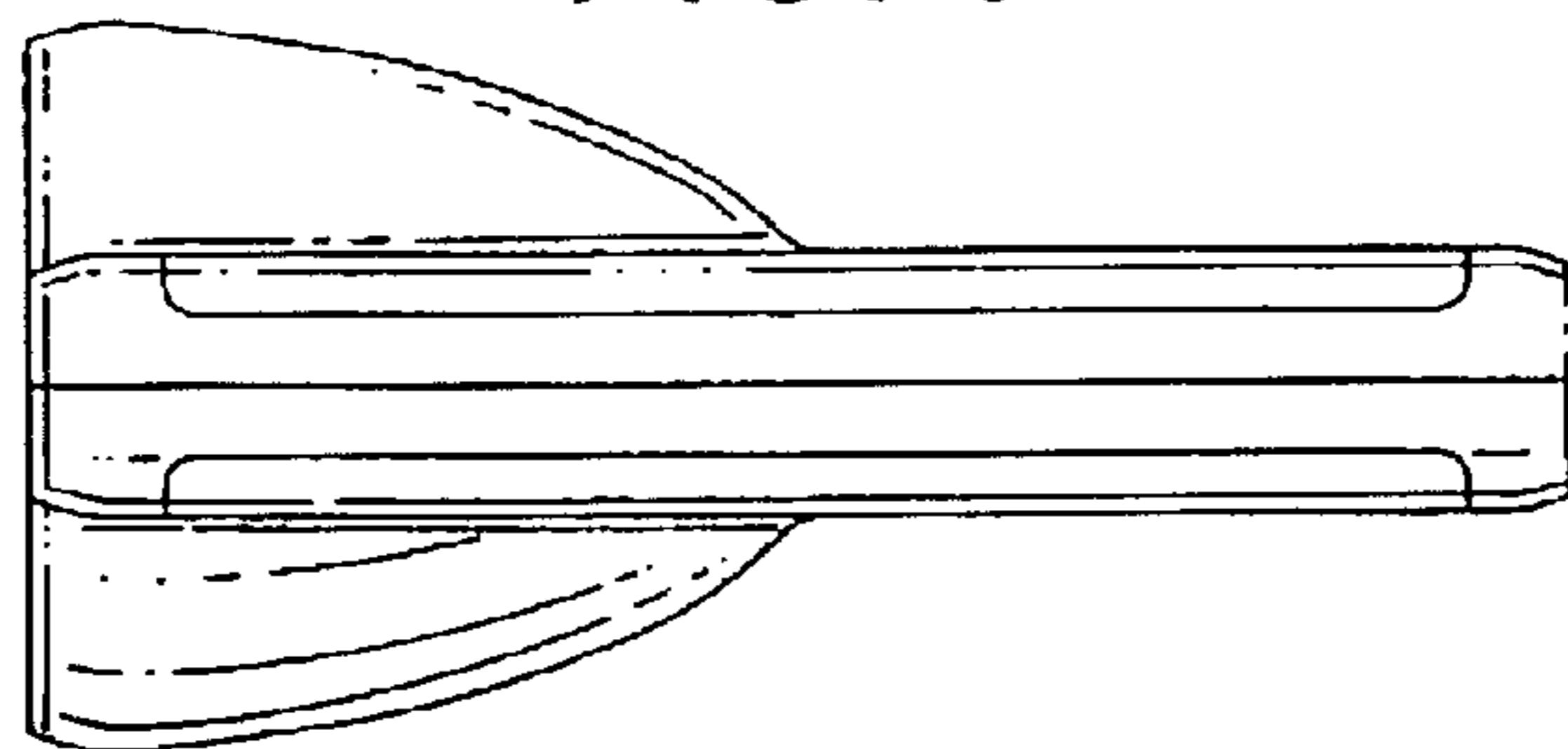


FIG. 7

