

US00D491914S1

(12) **United States Design Patent**
Lee

(10) **Patent No.:** **US D491,914 S**
(45) **Date of Patent:** **** Jun. 22, 2004**

(54) **RADIO**

(75) **Inventor:** **Stuart Harvey Lee**, Forest Hills, NY
(US)

(73) **Assignee:** **OneWorld Enterprises Ltd.**, Kowloon
Bay (HK)

(**) **Term:** **14 Years**

(21) **Appl. No.:** **29/186,024**

(22) **Filed:** **Jul. 9, 2003**

(51) **LOC (7) Cl.** **14-03**

(52) **U.S. Cl.** **D14/188**

(58) **Field of Search** D14/188, 194-198,
D14/168, 169-171; 455/344-351

(56) **References Cited**

U.S. PATENT DOCUMENTS

D239,869 S * 5/1976 Pinsler et al. D14/194
D351,596 S * 10/1994 Pierotti et al. D14/192

D379,627 S * 6/1997 Takahashi D14/171
5,883,859 A * 3/1999 Bentley 368/10
D453,902 S * 2/2002 Lee D10/18

* cited by examiner

Primary Examiner—Prabhakar Deshmukh

(74) *Attorney, Agent, or Firm*—Burns, Doane, Swecker &
Mathis, L.L.P.

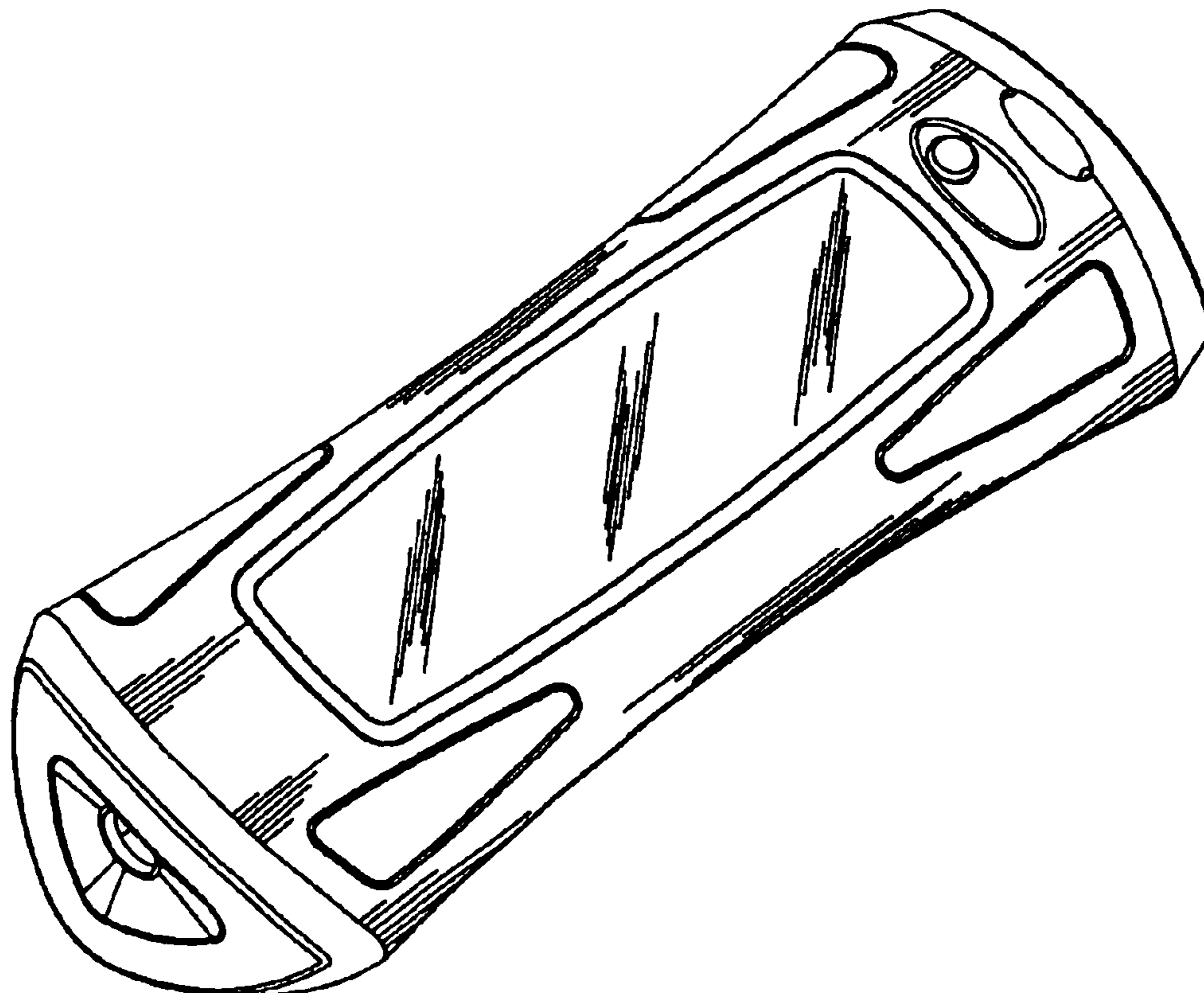
(57) **CLAIM**

The ornamental design for a “radio”, as shown and
described.

DESCRIPTION

FIG. 1 is a front view of a “radio” showing my design;
FIG. 2 is a rear view thereof;
FIG. 3 is a right side view thereof;
FIG. 4 is a left side view thereof;
FIG. 5 is a top view thereof;
FIG. 6 is a bottom view thereof; and,
FIG. 7 is a perspective view there of.

1 Claim, 4 Drawing Sheets



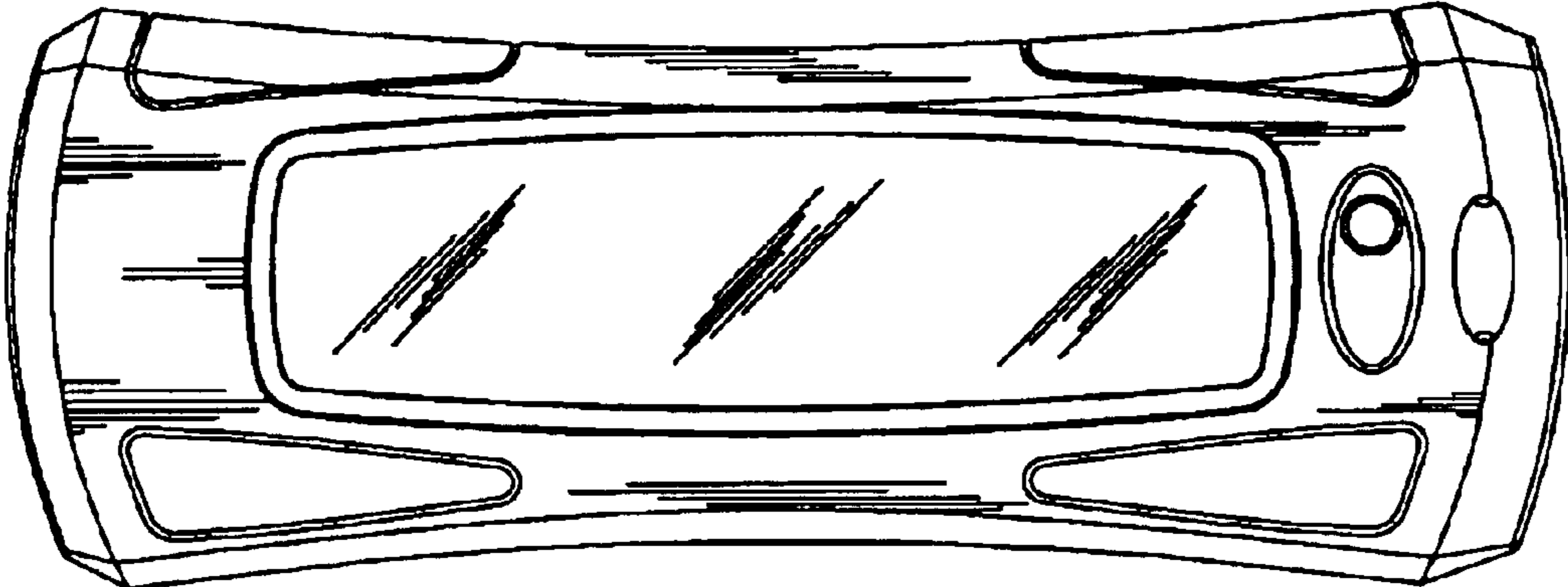


Fig. 1

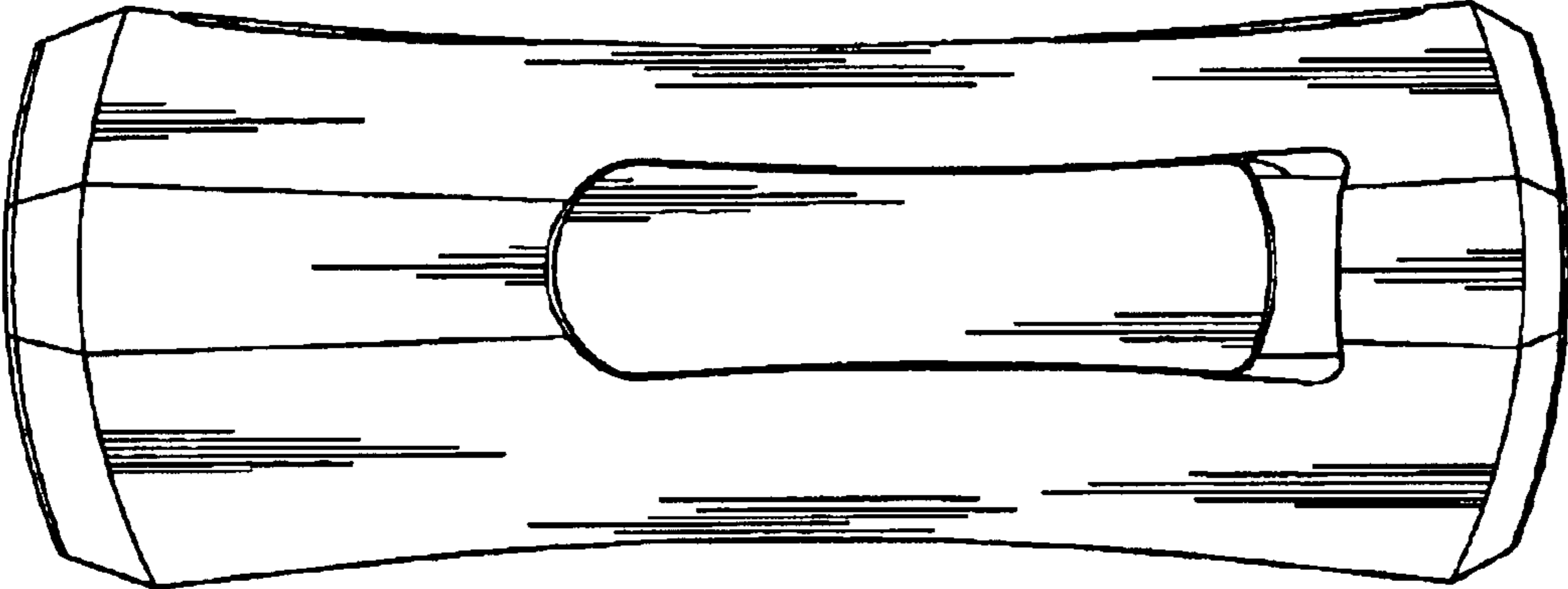


Fig. 2

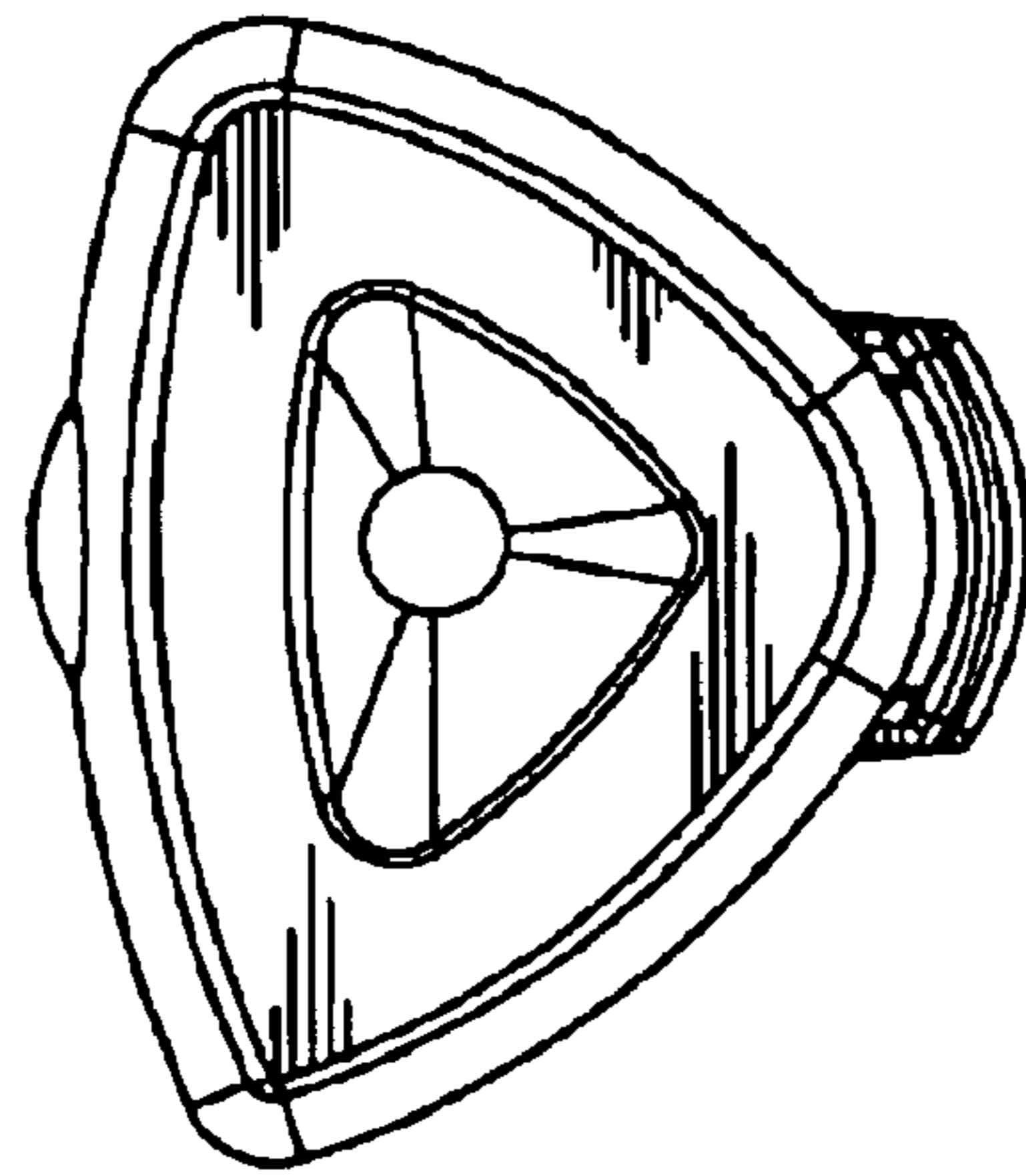


Fig. 3

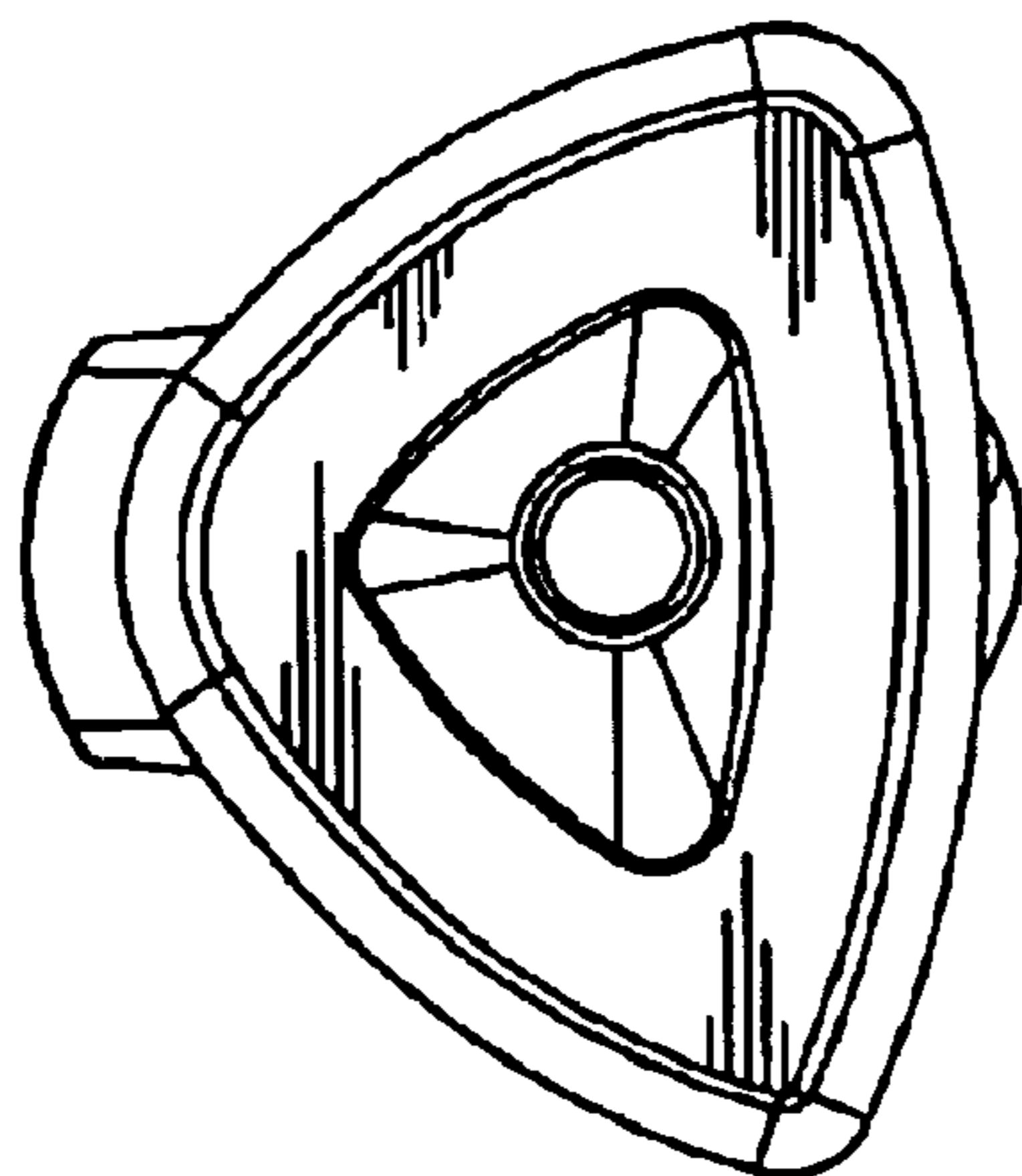


Fig. 4

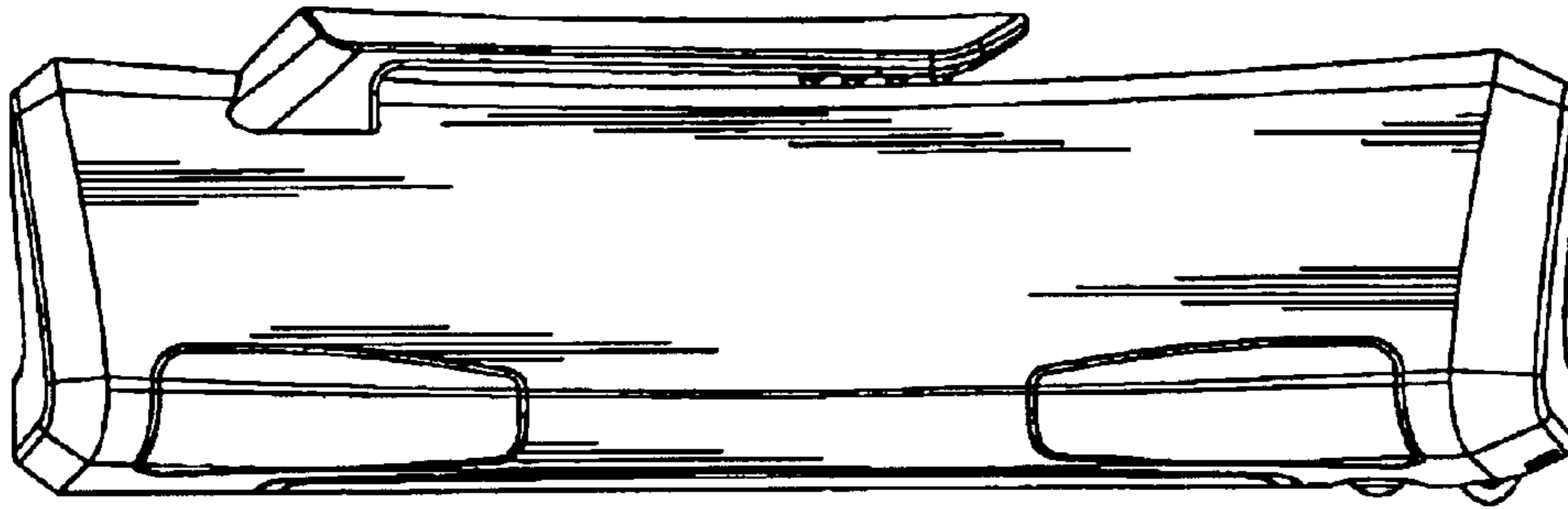


Fig. 5

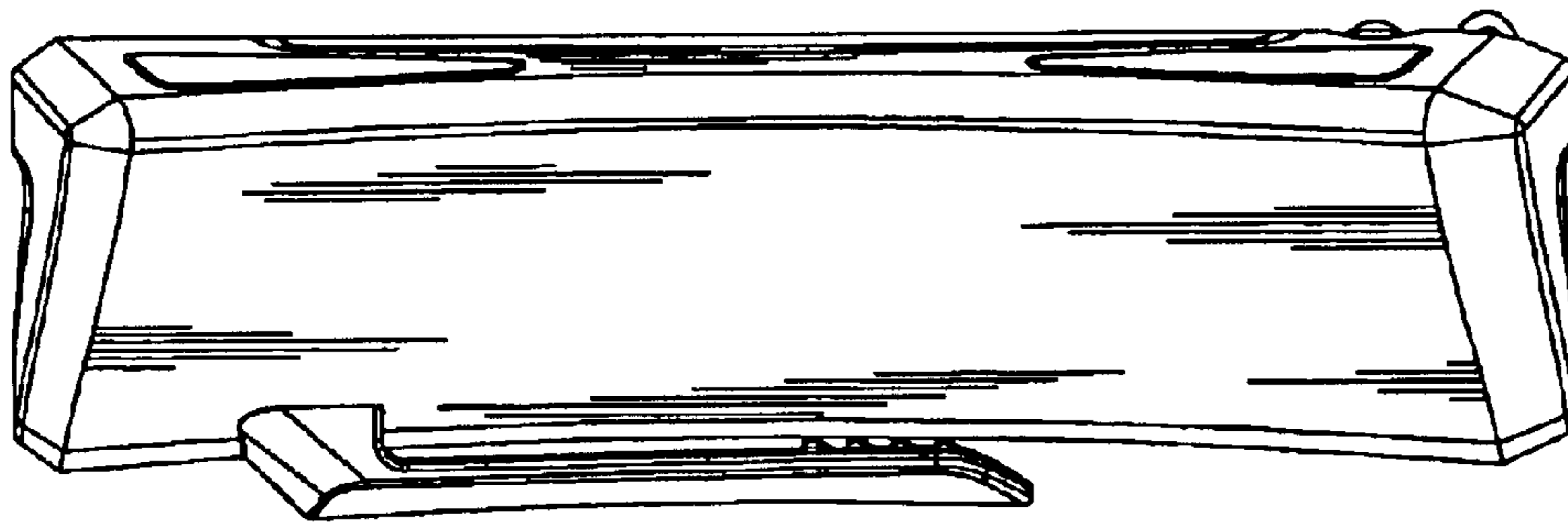


Fig. 6

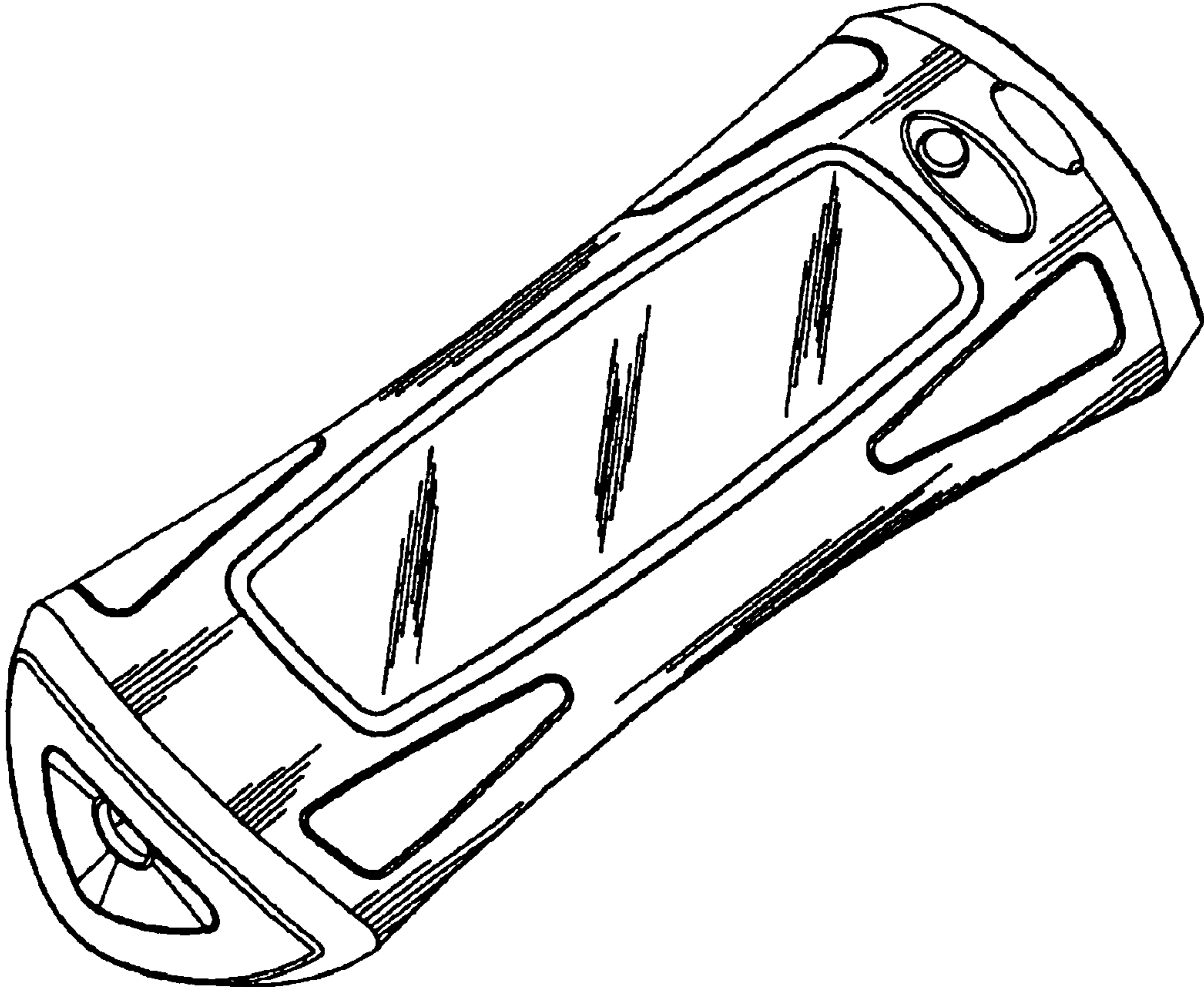


Fig 7