



US00D491906S1

(12) **United States Design Patent**
Okamatsu

(10) **Patent No.:** **US D491,906 S**
(45) **Date of Patent:** **** Jun. 22, 2004**

(54) **MOBILE PHONE**

(75) **Inventor:** **Taro Okamatsu, Osaka (JP)**

(73) **Assignees:** **Sanyo Electric Co., Ltd., Osaka (JP);**
Sanyo Telecommunications Co., Ltd.,
Osaka (JP)

(**) **Term:** **14 Years**

(21) **Appl. No.:** **29/191,847**

(22) **Filed:** **Oct. 17, 2003**

(30) **Foreign Application Priority Data**

Apr. 23, 2003 (JP) 2003-011546

(51) **LOC (7) Cl. 14-03**

(52) **U.S. Cl. D14/138**

(58) **Field of Search** D14/137, 138,
D14/218, 147-148, 247-248, 144, 341-347;
379/433.01-433.13, 419, 434, 428.01-428.04,
420.01-420.04, 440; 455/550.1-90.3; D21/517;
D13/168; D18/2, 7; 345/168, 169

(56) **References Cited**

U.S. PATENT DOCUMENTS

D445,101 S	*	7/2001	Lee et al.	D14/138
D445,412 S	*	7/2001	Lee et al.	D14/138
D447,128 S	*	8/2001	Lee et al.	D14/138
D456,378 S	*	4/2002	Fujimoto	D14/138
D458,594 S	*	6/2002	Jang	D14/138
D459,329 S	*	6/2002	Suzuki et al.	D14/138
D465,466 S	*	11/2002	Hyun	D14/138
D468,283 S	*	1/2003	Hong et al.	D14/138
D475,689 S	*	6/2003	Shimazu et al.	D14/138
D476,968 S	*	7/2003	Yokoyama	D14/138
D477,294 S	*	7/2003	Ikeda et al.	D14/138
D477,296 S	*	7/2003	Minamide	D14/138
D477,581 S	*	7/2003	Iijima et al.	D14/138
D484,478 S	*	12/2003	Kota et al.	D14/138
D484,479 S	*	12/2003	Park	D14/138
D484,862 S	*	1/2004	Yang	D14/138

D484,863 S	*	1/2004	Chan	D14/138
D485,248 S	*	1/2004	Ogawa	D14/138
2002/0009192 A1	*	1/2002	Nakamura	379/433.01
2002/0137478 A1	*	9/2002	Masamura	455/90
2003/0030624 A1	*	2/2003	Aoyama	345/168

FOREIGN PATENT DOCUMENTS

JP	1153259 S	9/2002
JP	1153260 S	9/2002
JP	1153347 S	9/2002
JP	1154363 S	9/2002
JP	1154370 S	9/2002
JP	1154718 S	9/2002
JP	1155098	10/2002
JP	1160803 S	12/2002
JP	1167658 S	3/2003
JP	1183170 S	8/2003
JP	1185425 S	9/2003
JP	1185434 S	9/2003

* cited by examiner

Primary Examiner—Jeffrey Asch

(74) *Attorney, Agent, or Firm*—Darby & Darby

(57) **CLAIM**

I claim the ornamental design for a mobile phone, as shown.

DESCRIPTION

FIG. 1 is a top, front, and right side perspective view of my new design for a mobile phone in an open position;
FIG. 2 is a top, front, and right side perspective view of my new design for a mobile phone in a closed position;
FIG. 3 is a front elevation view thereof in the closed position;
FIG. 4 is a rear elevation view thereof in the closed position;
FIG. 5 is a top plan view thereof in the closed position;
FIG. 6 is a bottom plan view thereof in the closed position;
FIG. 7 is a left side elevation view thereof in the closed position; and,
FIG. 8 is a right side elevation view thereof in the closed position.

1 Claim, 2 Drawing Sheets

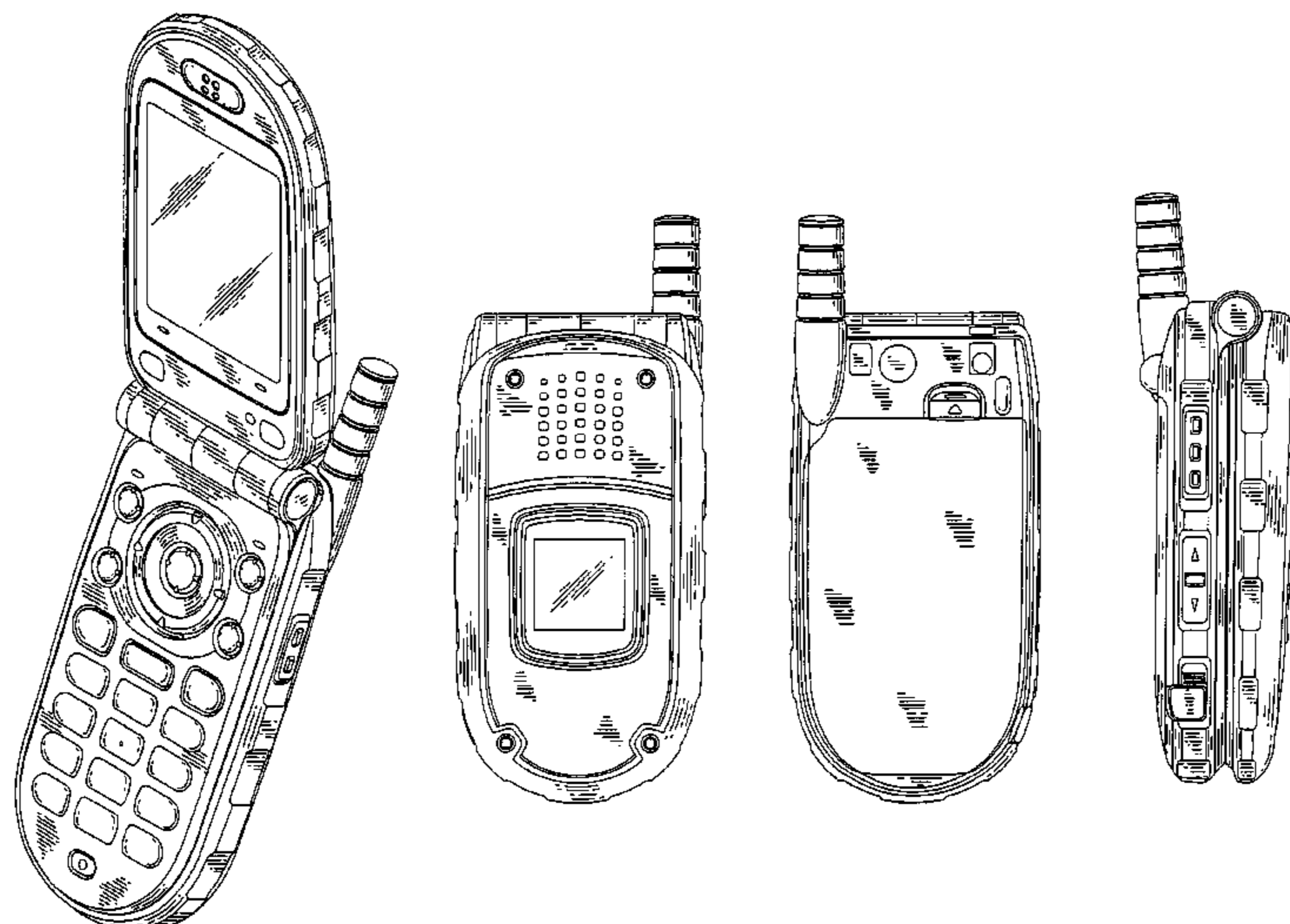


FIG.1

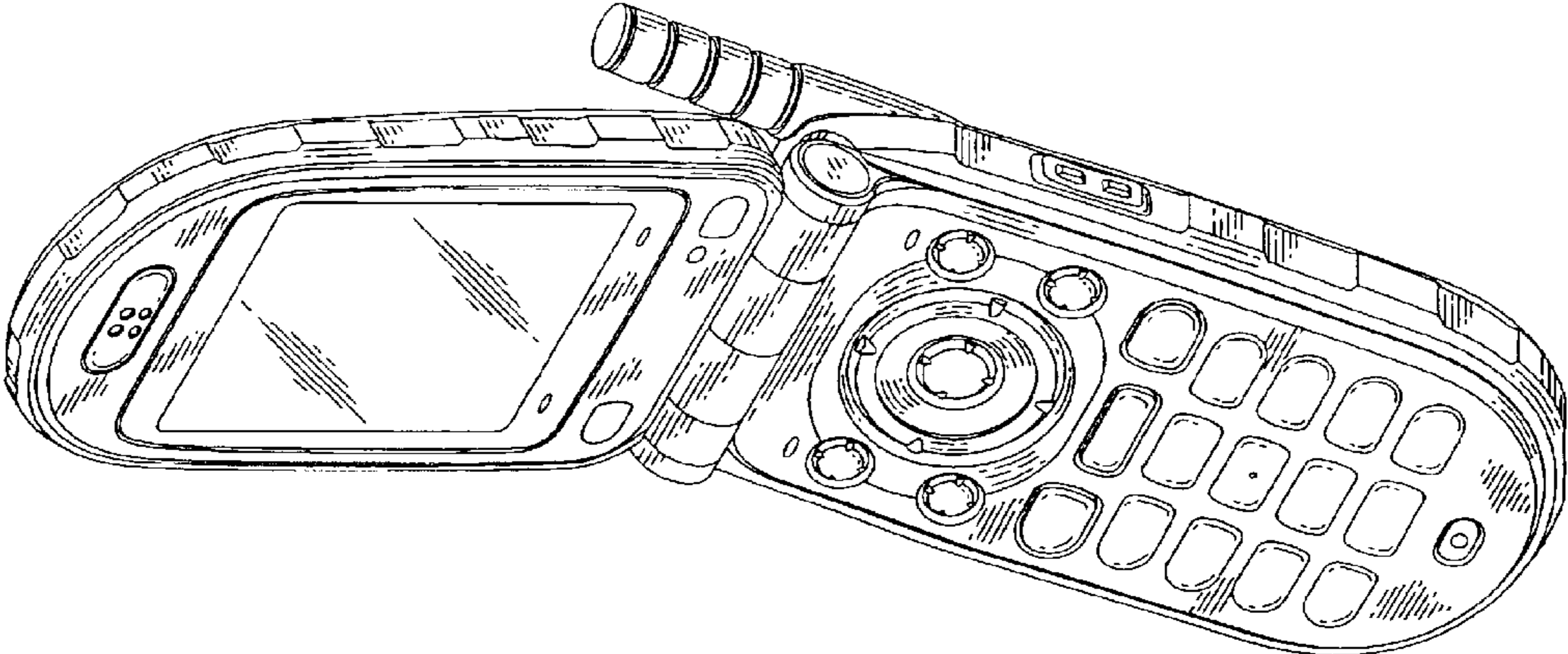


FIG.2

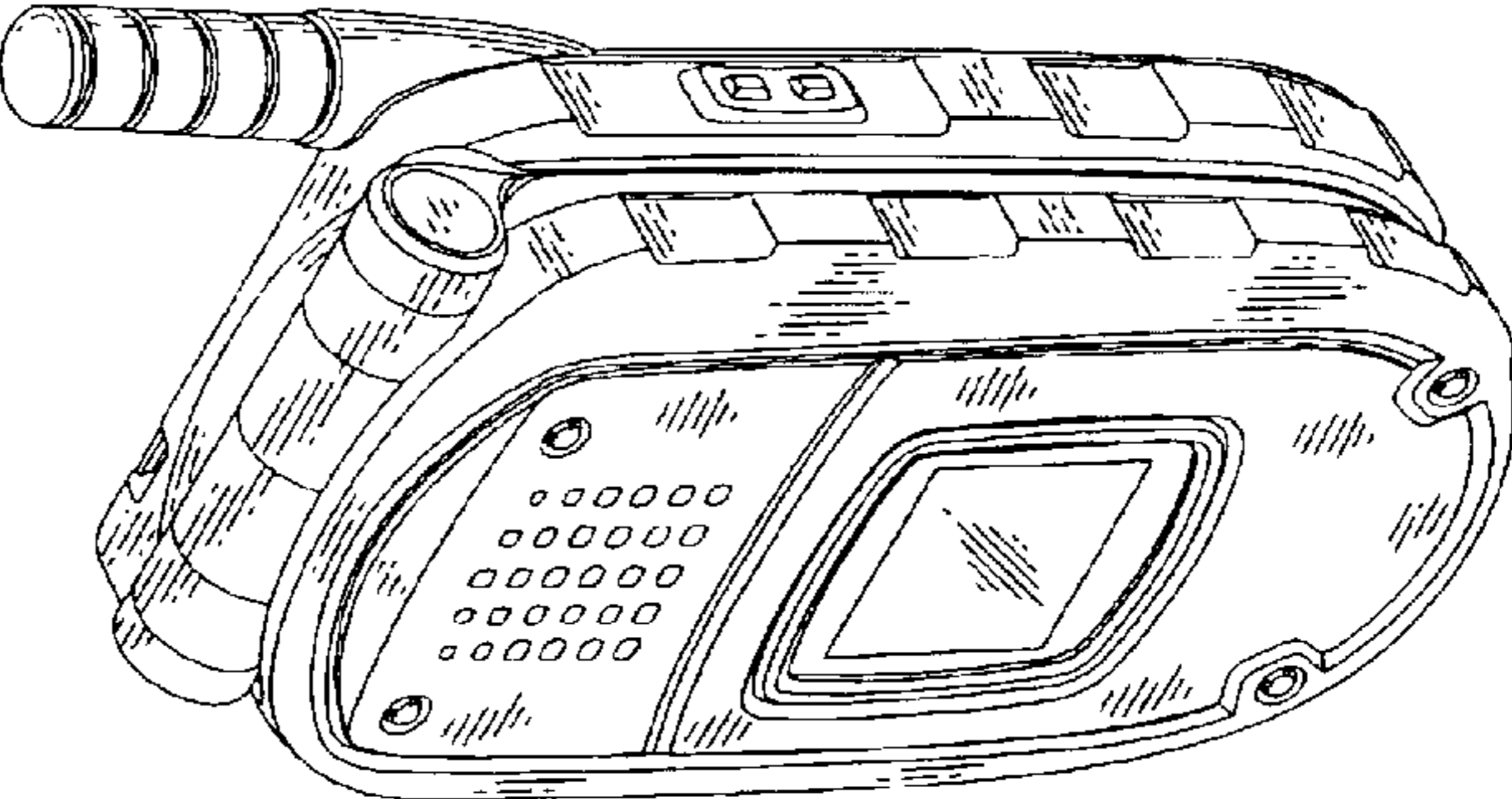


FIG.3

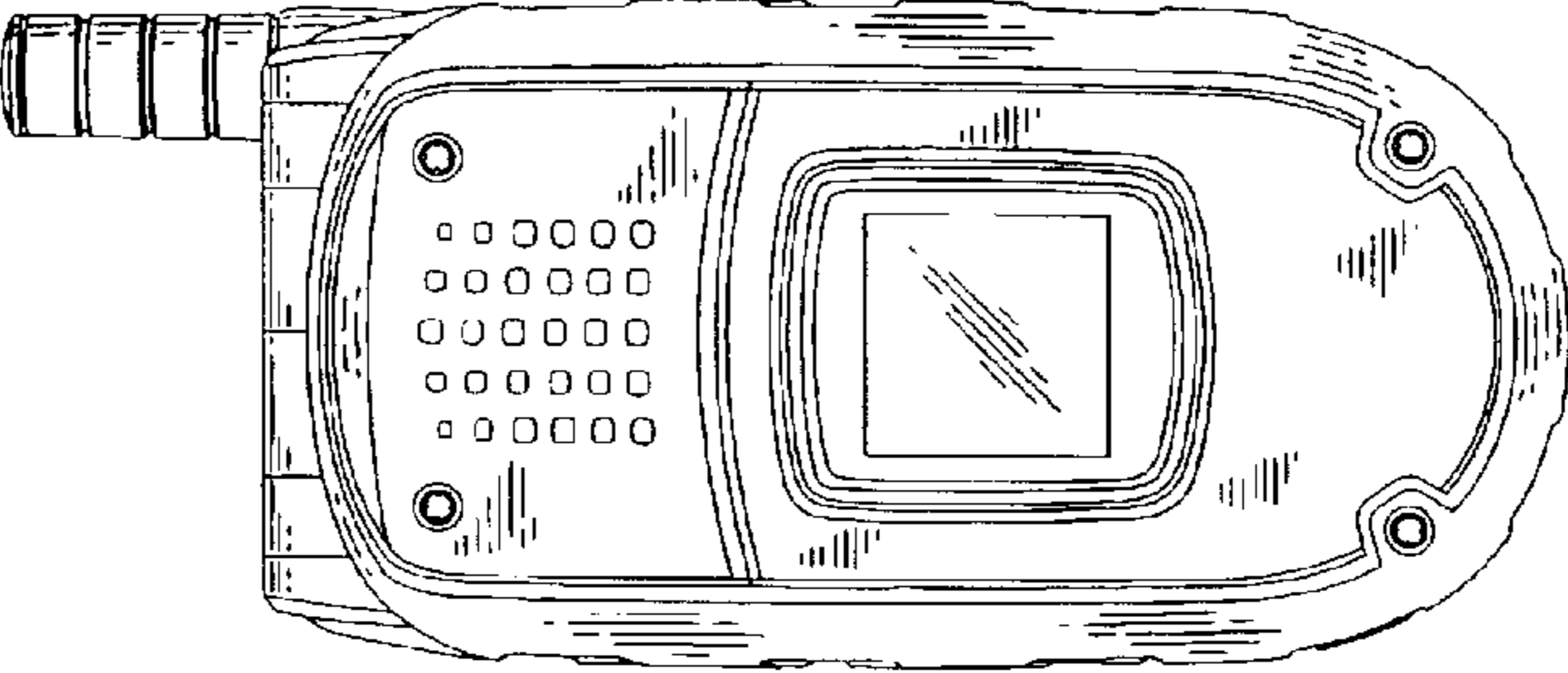


FIG.4

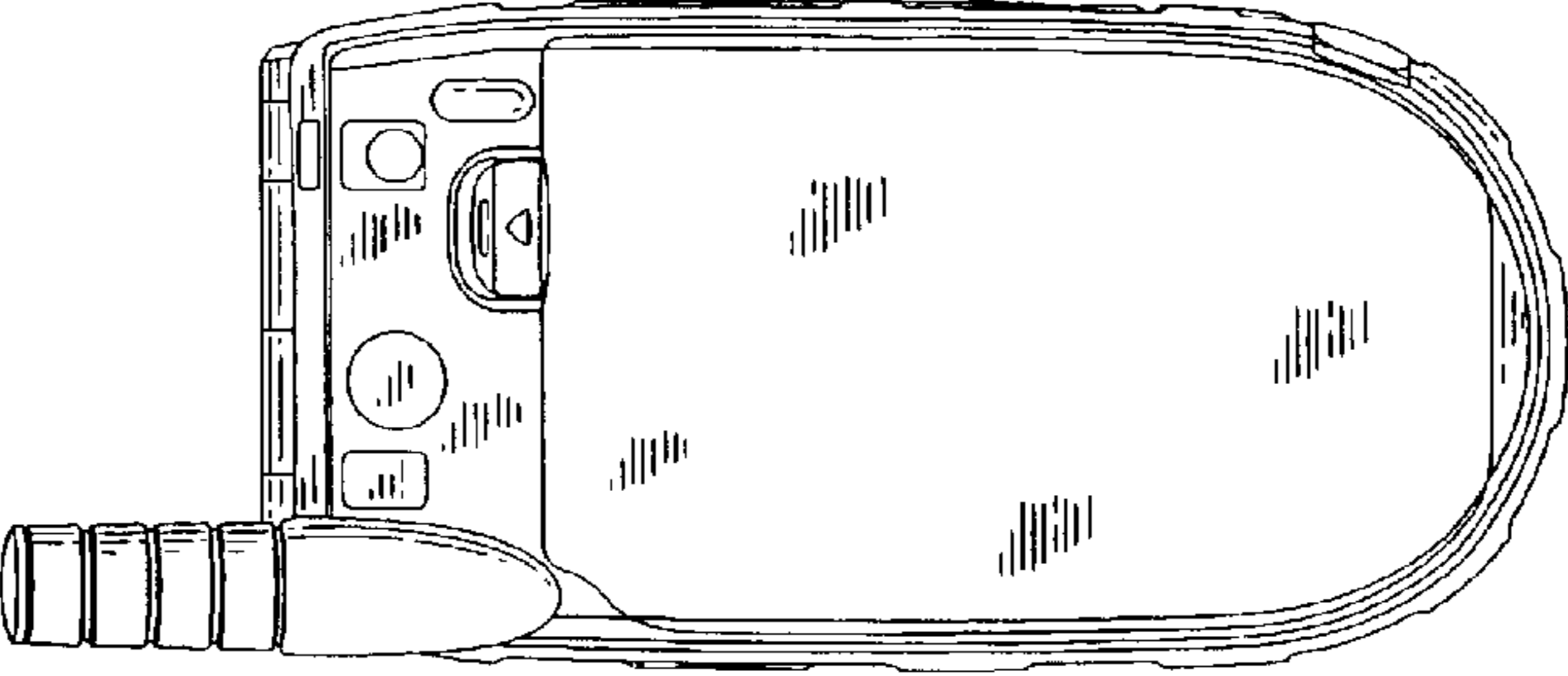


FIG. 8

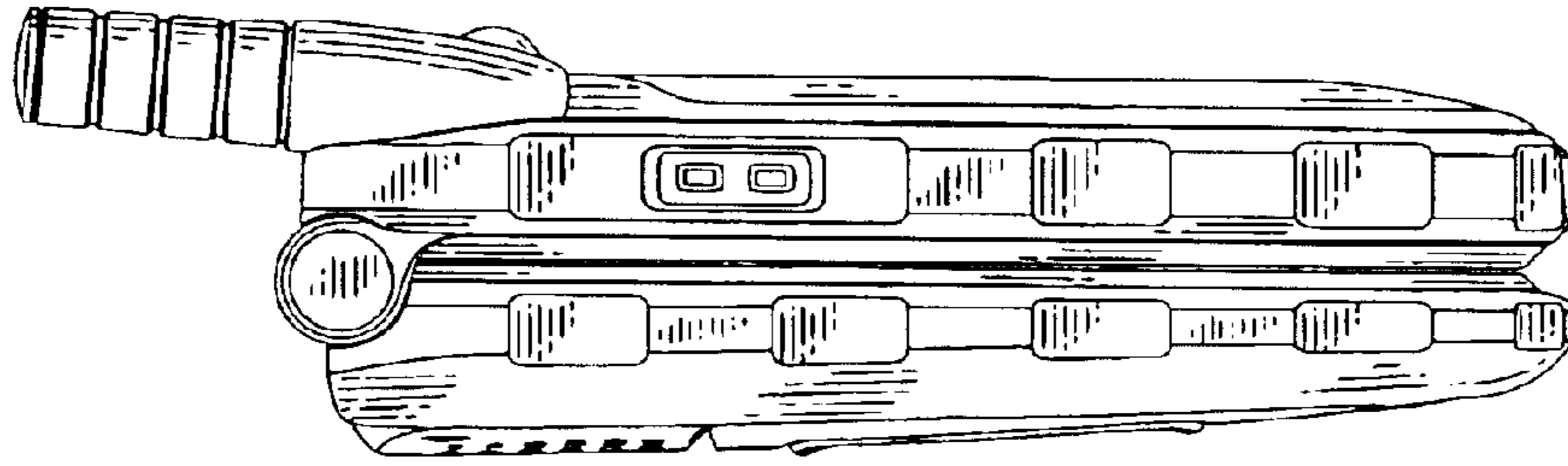


FIG. 7

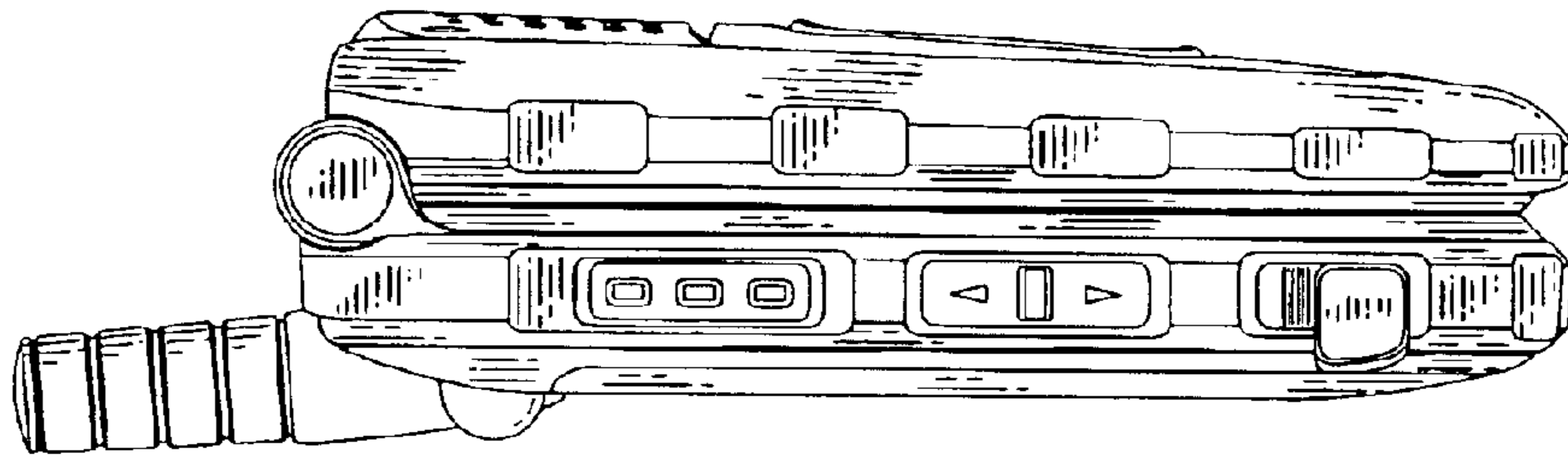


FIG. 5

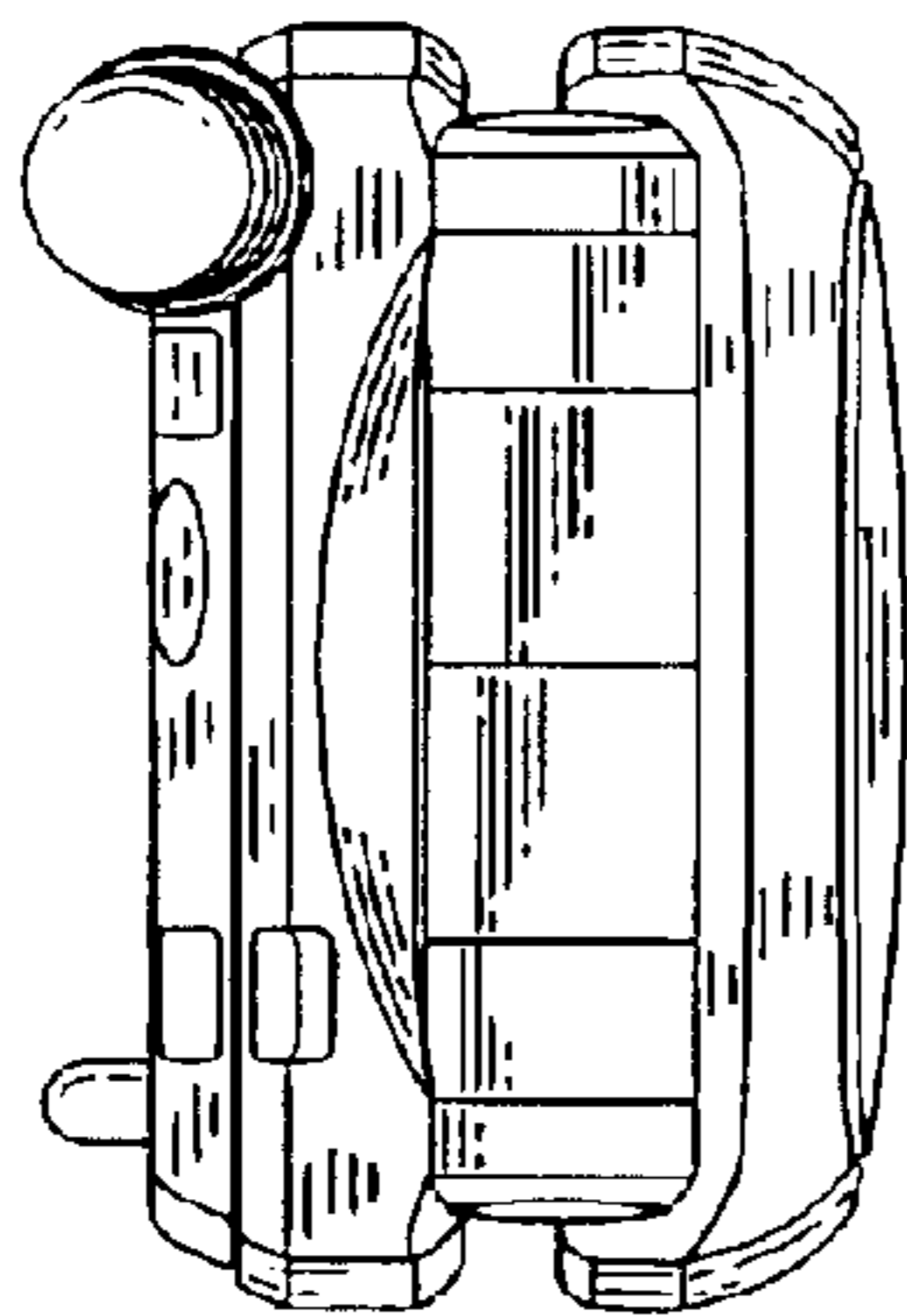
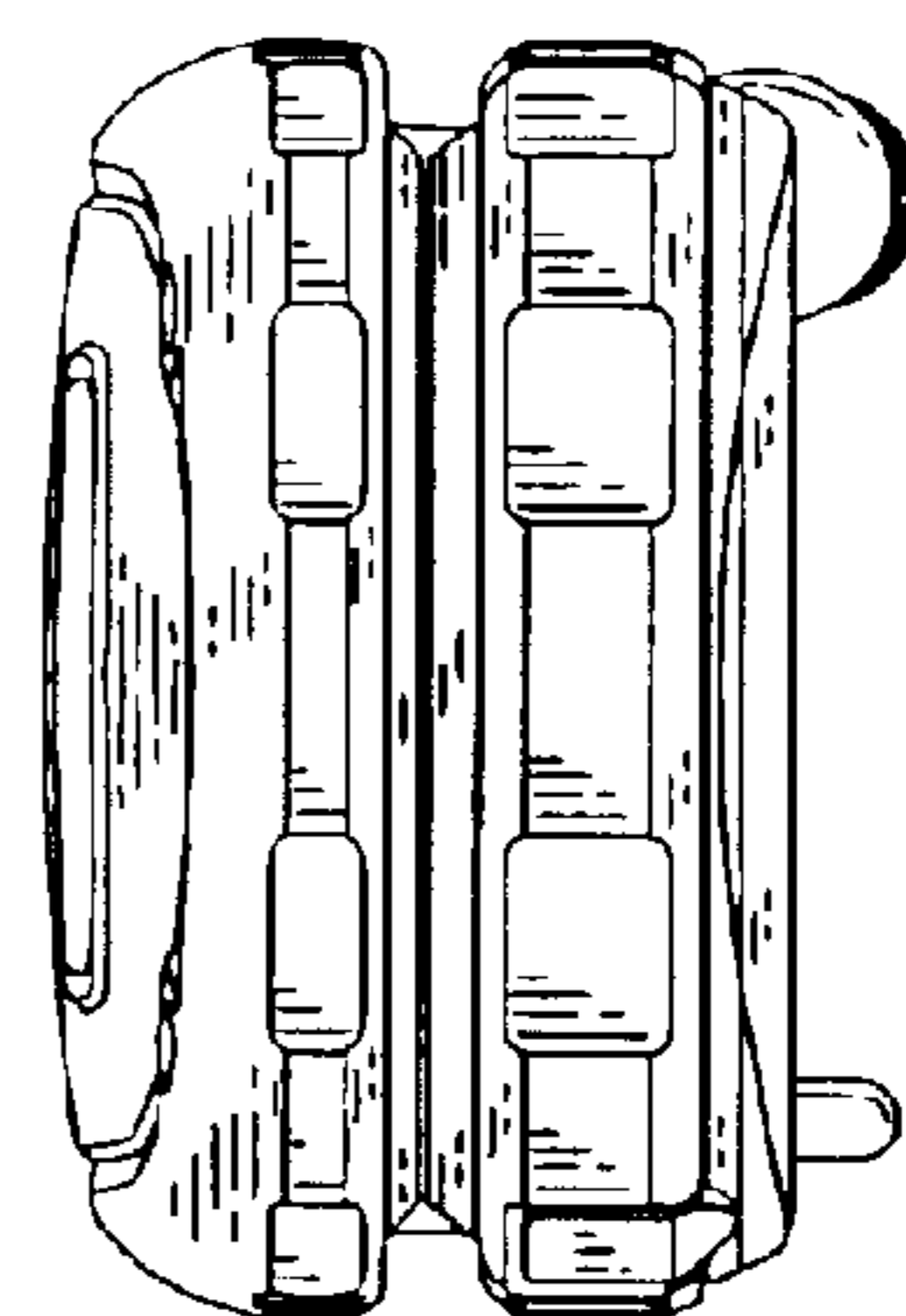


FIG. 6



UNITED STATES PATENT AND TRADEMARK OFFICE
CERTIFICATE OF CORRECTION

PATENT NO. : Des. 491,906 S
DATED : June 22, 2004
INVENTOR(S) : Taro Okamatsu

Page 1 of 1

It is certified that error appears in the above-identified patent and that said Letters Patent is hereby corrected as shown below:

Title page.

Item [22], Filing Date, delete "**October 17, 2003**" and substitute
-- **October 16, 2003** --.

Signed and Sealed this

Seventh Day of December, 2004

A handwritten signature in black ink on a light gray dotted background. The signature reads "Jon W. Dudas" in a cursive style.

JON W. DUDAS

Director of the United States Patent and Trademark Office