



US00D491903S1

(12) **United States Design Patent**  
**Cha**

(10) **Patent No.:** **US D491,903 S**  
(45) **Date of Patent:** **\*\* Jun. 22, 2004**

(54) **COMBINED VIDEO TAPE AND DISC  
PLAYER**

D376,823 S \* 12/1996 Ikenaga ..... D21/330  
5,953,302 A \* 9/1999 Kobayashi ..... 369/75.1  
D454,122 S \* 3/2002 Horii et al. .... D14/132

(75) Inventor: **Sang-Kwon Cha**, Pyungtaek (KR)

\* cited by examiner

(73) Assignee: **Sam Jung Co., Ltd.**, Kyonggi-do (KR)

*Primary Examiner*—Nanda Bondade

(\*\*) Term: **14 Years**

(74) *Attorney, Agent, or Firm*—Birch, Stewart, Kolasch & Birch, LLP

(21) Appl. No.: **29/180,085**

(57) **CLAIM**

(22) Filed: **Apr. 21, 2003**

The ornamental design for a combined video tape and disc player, substantially as shown and described.

(30) **Foreign Application Priority Data**

Feb. 10, 2003 (KR) ..... 30-2003-0003362

**DESCRIPTION**

(51) **LOC (7) Cl.** ..... **14-01**

FIG. 1 is a perspective view of a combined video tape and disc player showing my new design;  
FIG. 2 is front elevational view thereof;  
FIG. 3 is a rear elevational view thereof;  
FIG. 4 is a left side elevational view thereof, the right side being a mirror image;  
FIG. 5 is a top plan view thereof;  
FIG. 6 is a bottom plan view thereof; and,  
FIG. 7 is a perspective view thereof in its closed, inoperative state.

(52) **U.S. Cl.** ..... **D14/135; D14/136**

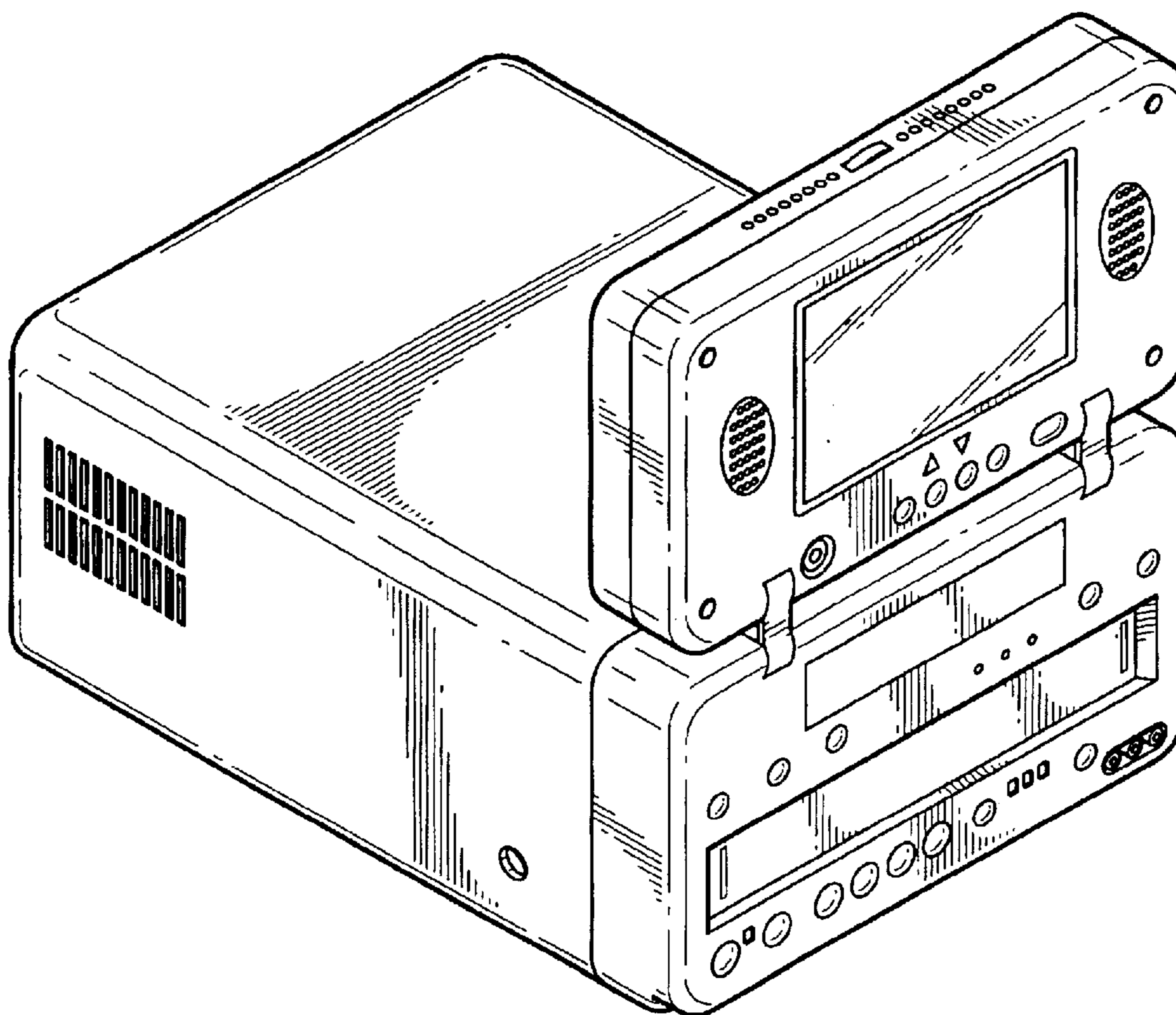
(58) **Field of Search** ..... D14/135–136,  
D14/156–157, 160–164, 167–168, 188,  
318–319, 129, 132, 496; 362/26–27, 86,  
253; 369/6–7, 75.1, 75.2, 77.1, 77.2; 455/344,  
347, 350–351

(56) **References Cited**

**U.S. PATENT DOCUMENTS**

D311,004 S \* 10/1990 Iwama ..... D14/129

**1 Claim, 7 Drawing Sheets**



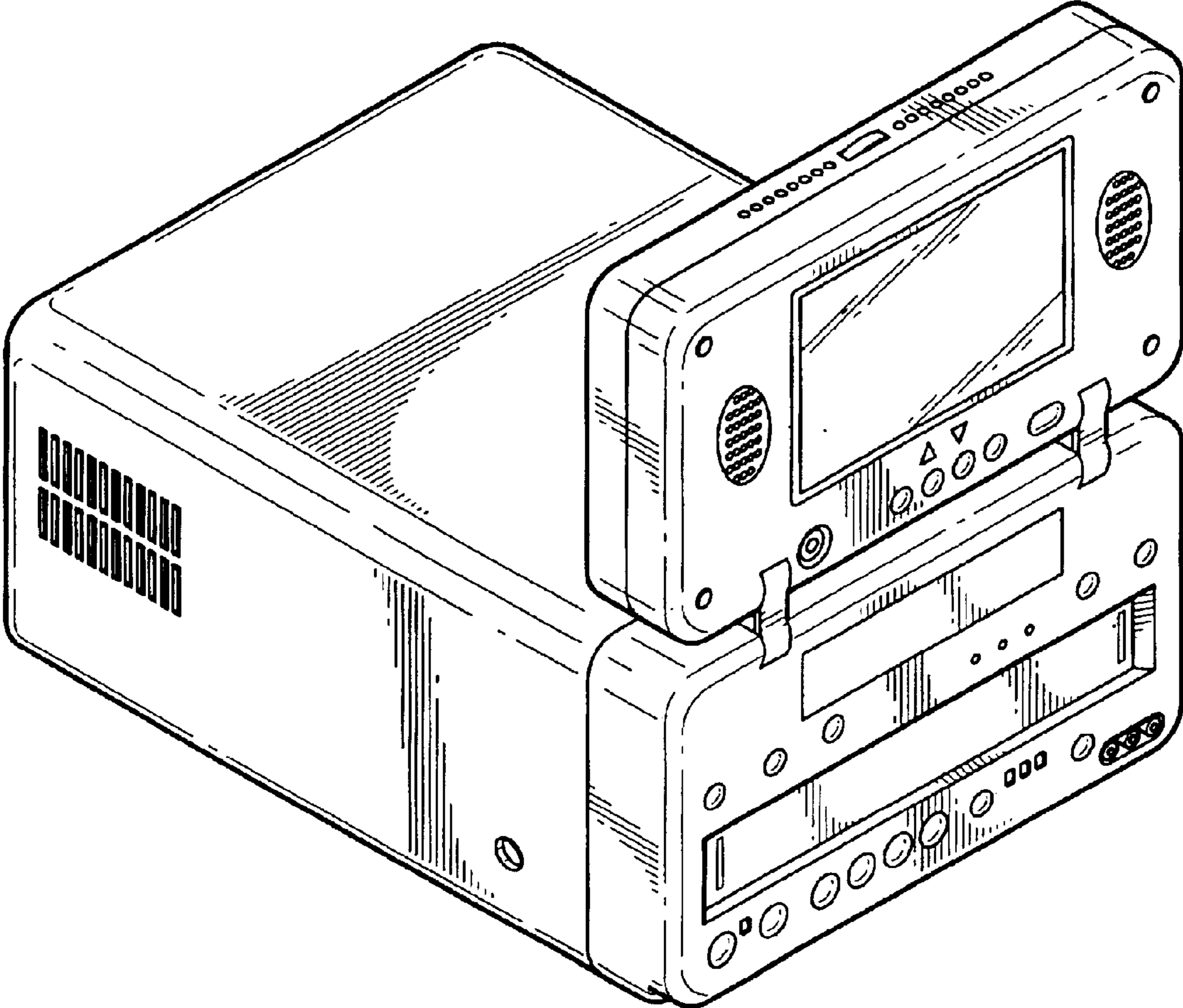


FIG.1

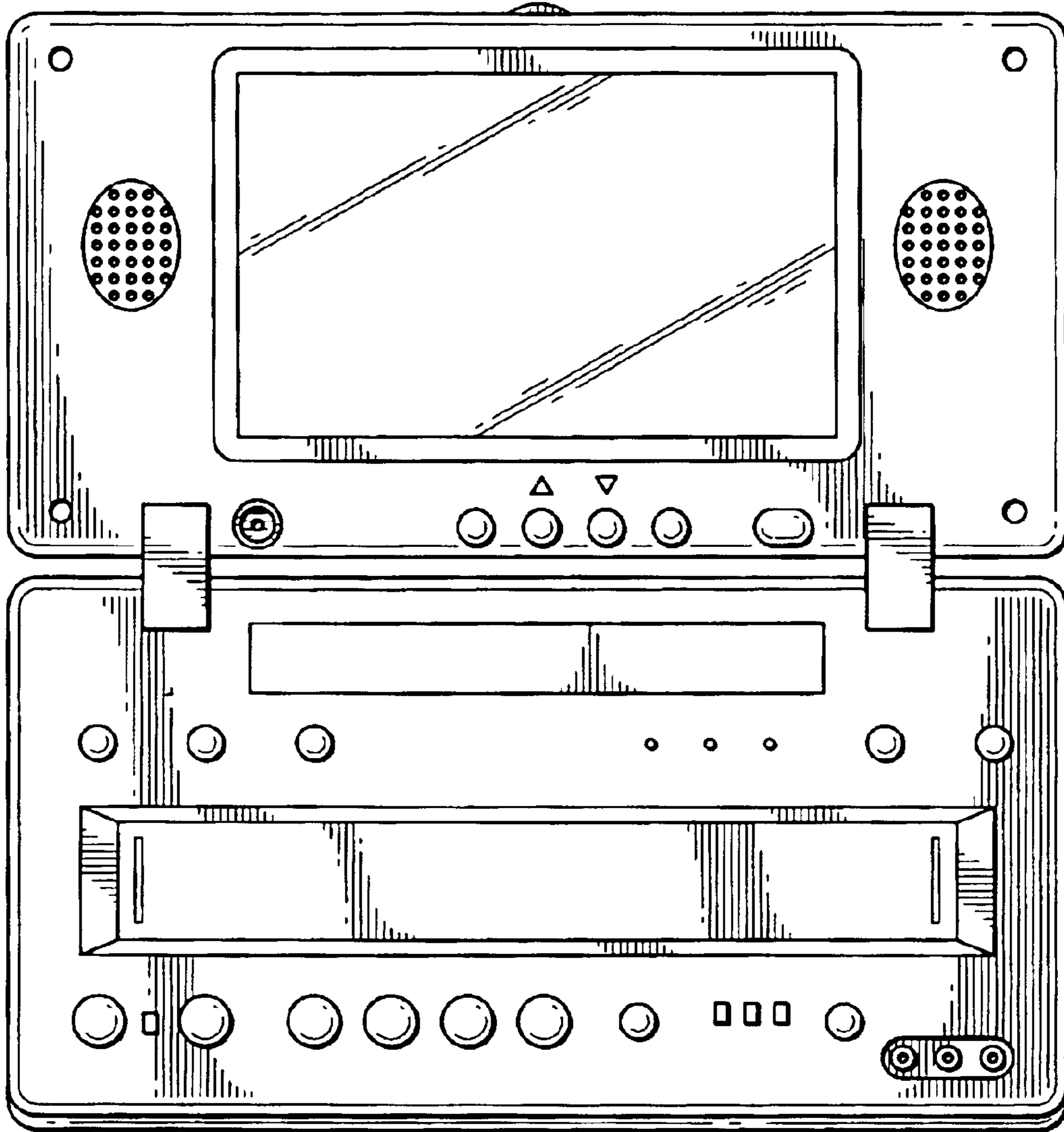


FIG.2

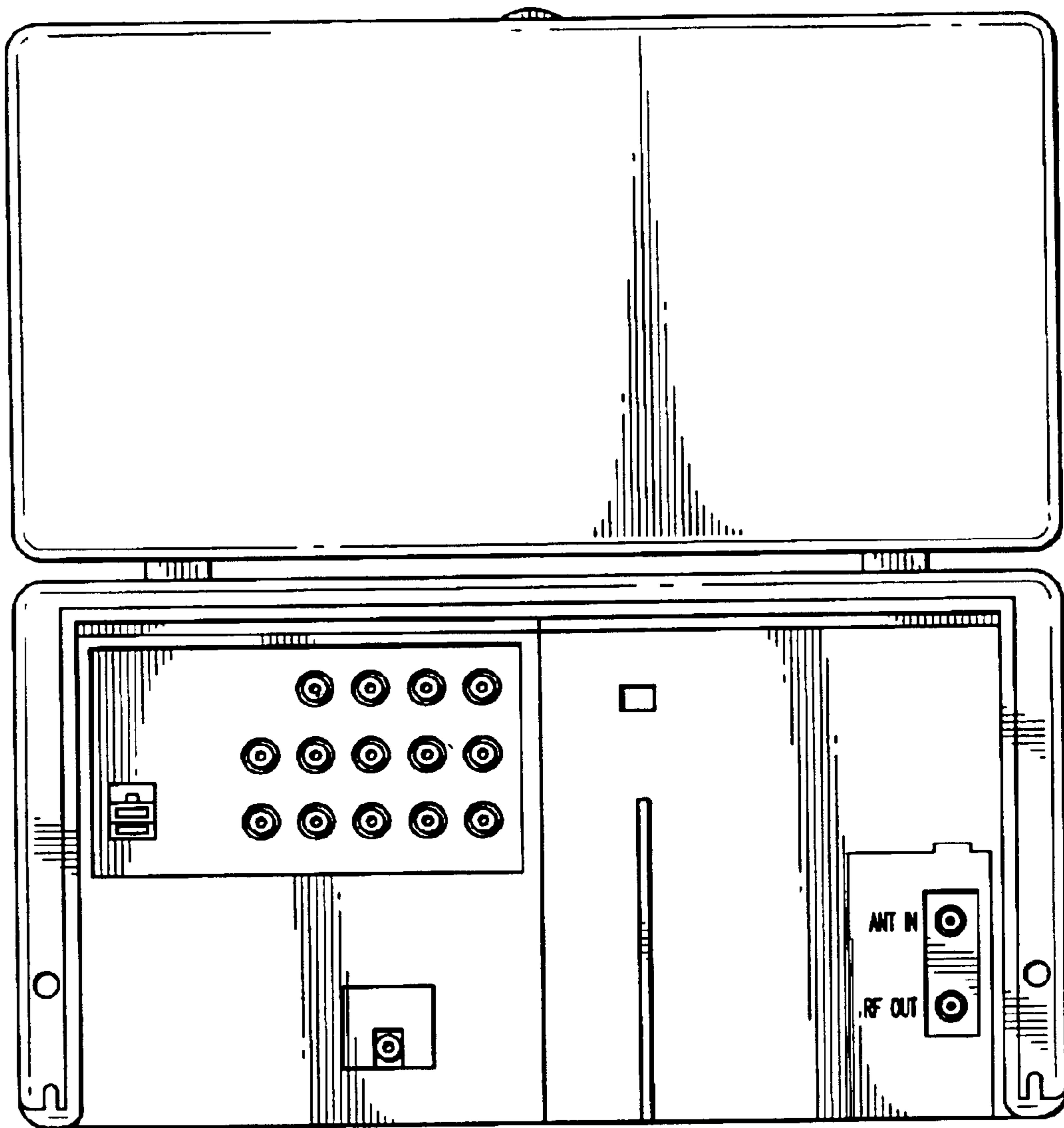


FIG.3

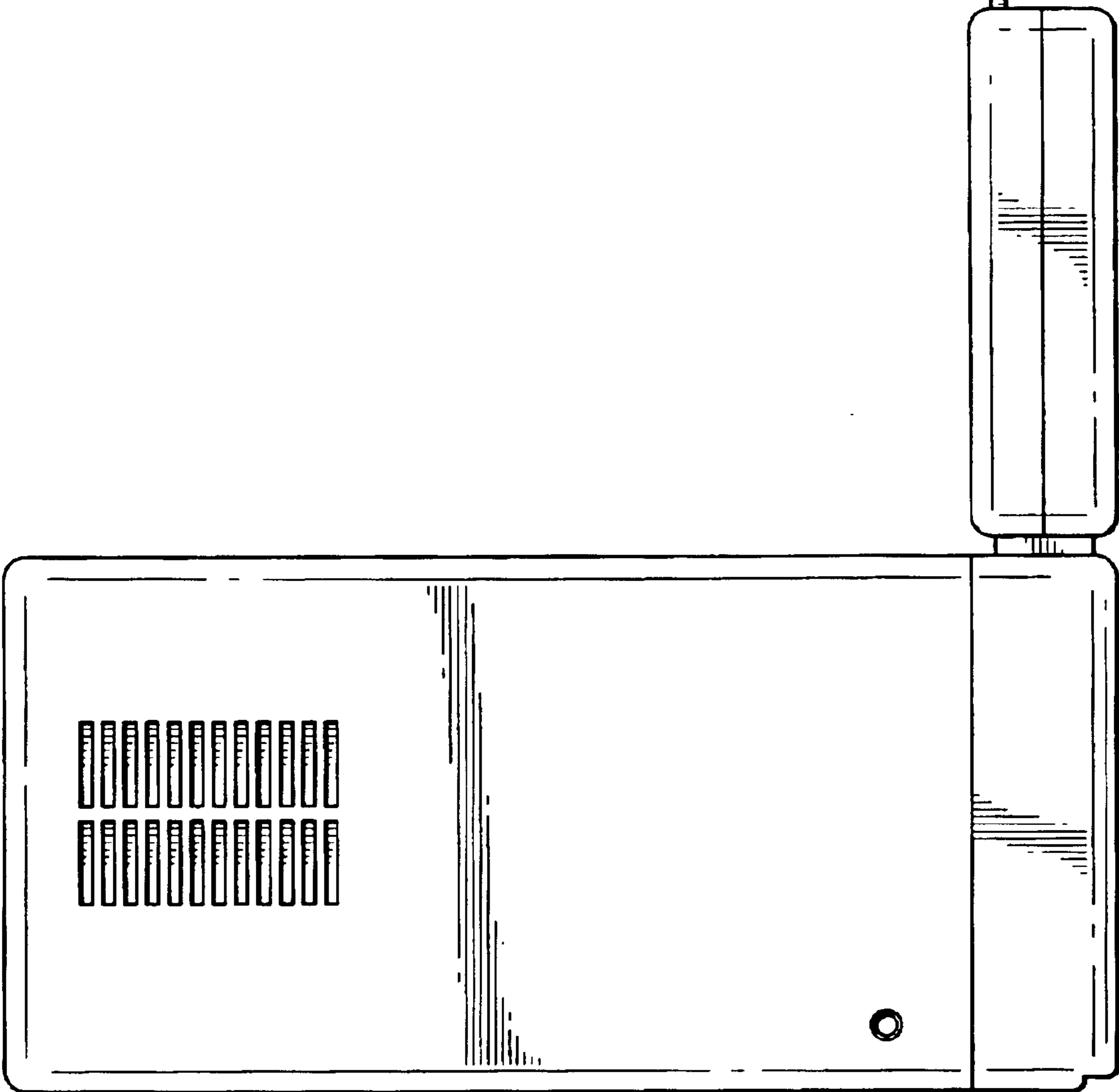


FIG.4



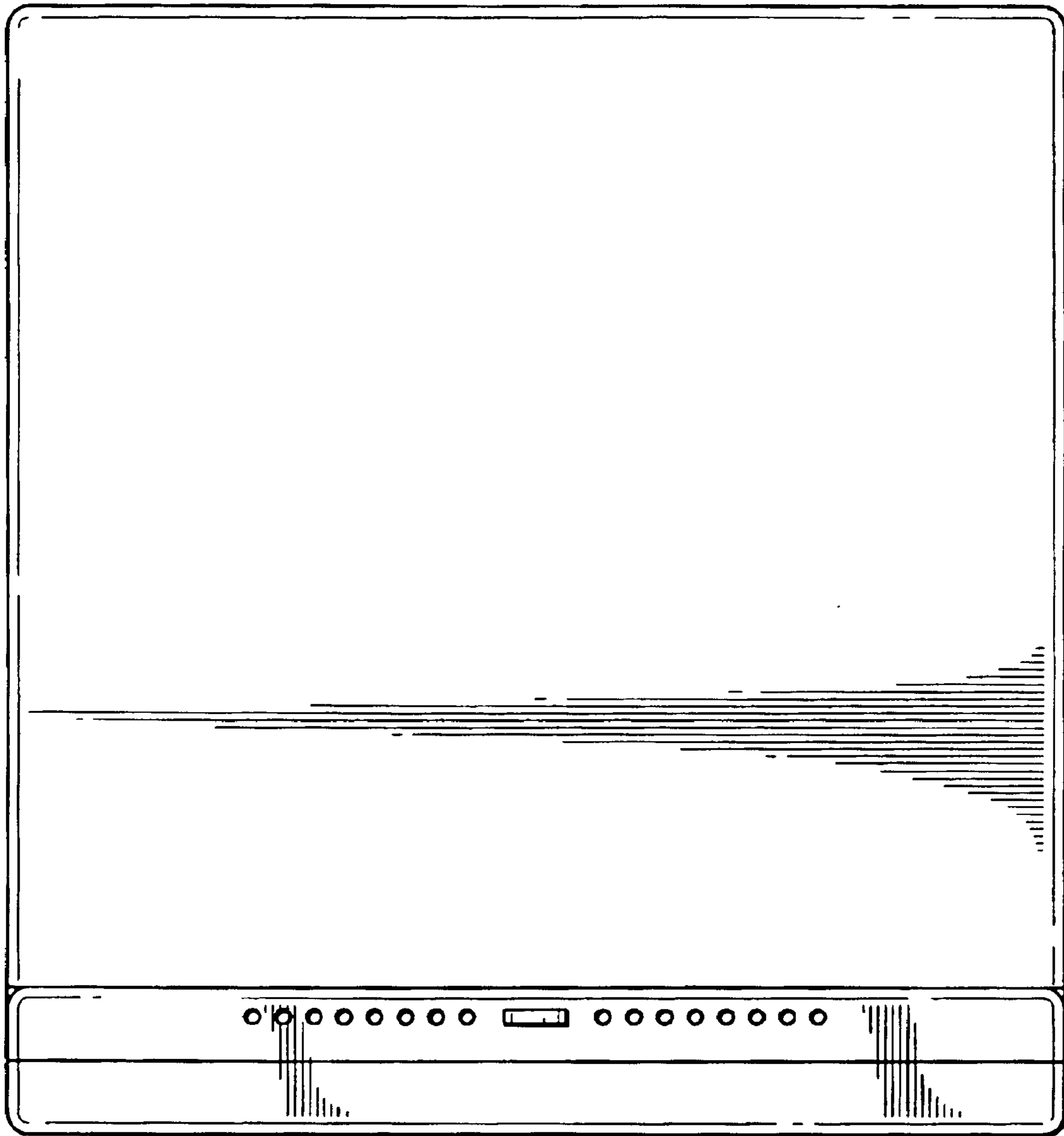


FIG.5

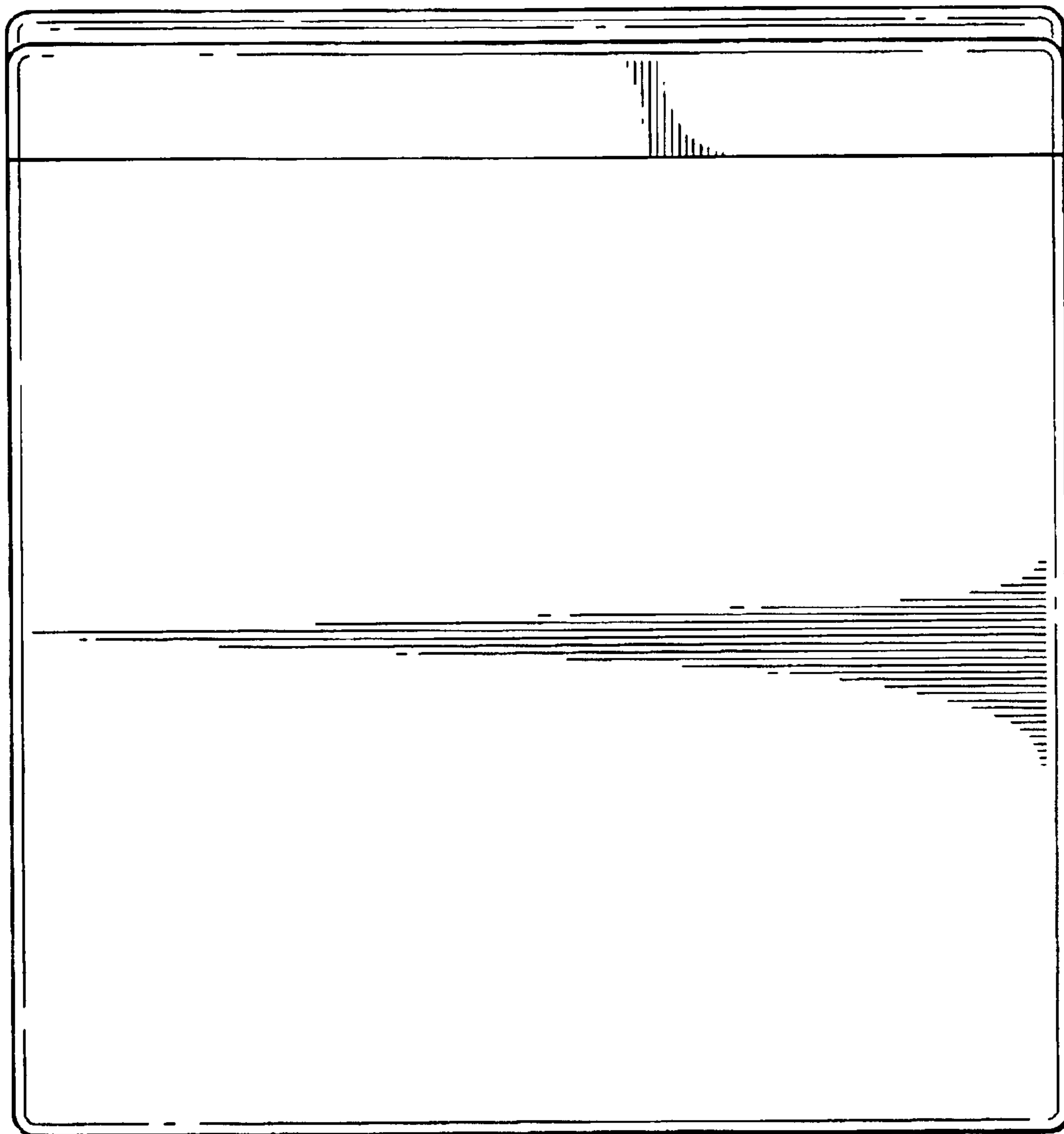


FIG.6

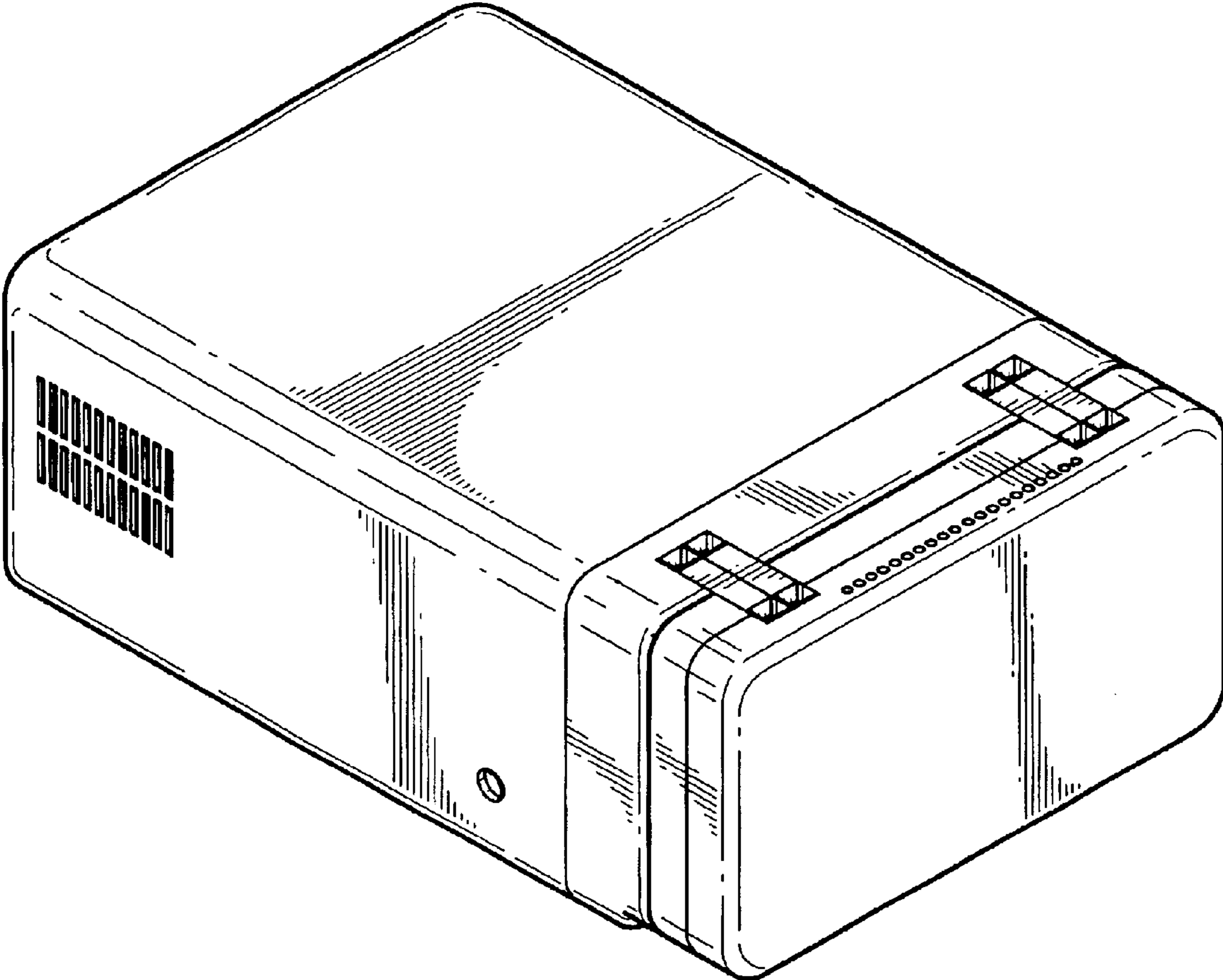


FIG.7