

US00D491902S1

(12) **United States Design Patent**
Chen

(10) **Patent No.:** **US D491,902 S**
(45) **Date of Patent:** **** Jun. 22, 2004**

(54) **PORTABLE MEDIA PLAYER**
(75) **Inventor:** **Yen Hsu Chen**, Sindian, Taipei County (TW)

D429,227 S * 8/2000 Shimizu D14/126
D438,849 S * 3/2001 Adachi et al. D14/132
D474,163 S * 5/2003 Araki D14/126
D475,984 S * 6/2003 Chen et al. D14/126

(73) **Assignee:** **Tatung Co. Ltd.**, Taipei (TW)

* cited by examiner

(**) **Term:** **14 Years**

Primary Examiner—Raphael Barkai
(74) *Attorney, Agent, or Firm*—Bacon & Thomas, PLLC

(21) **Appl. No.:** **29/187,570**

(57) **CLAIM**

(22) **Filed:** **Aug. 5, 2003**

The ornamental design for the portable media player, as shown and described.

(51) **LOC (7) Cl.** **14-03**

(52) **U.S. Cl.** **D14/126**

(58) **Field of Search** D14/125-136,
D14/239, 371, 374-375, 451; D6/300; 312/7.2;
348/836, 838, 180, 184, 325, 730; 345/905,
104, 133, 168, 87, 173; 248/917-924; 341/12

DESCRIPTION

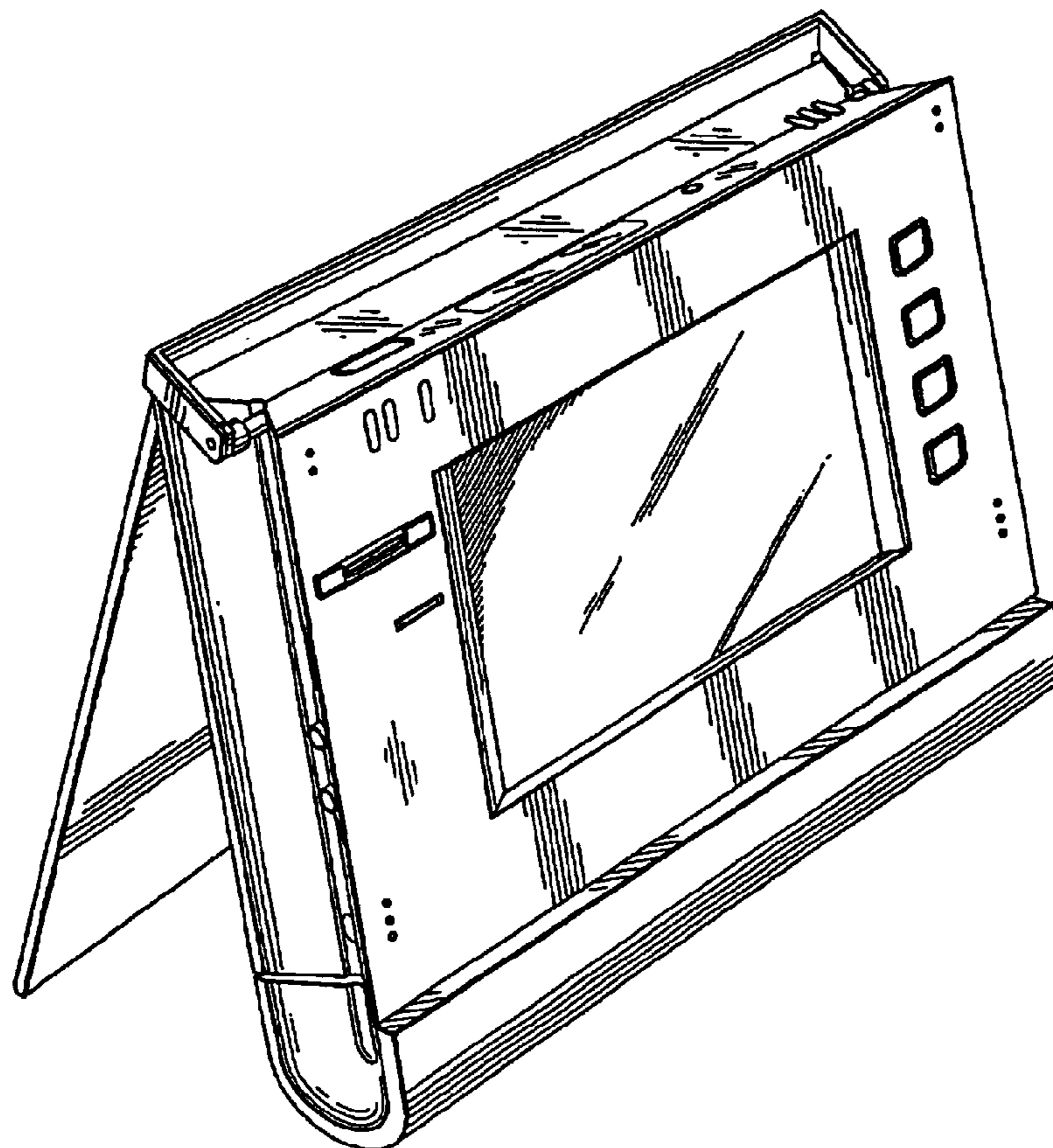
(56) **References Cited**

U.S. PATENT DOCUMENTS

D323,324 S * 1/1992 Suda D14/375
5,100,098 A * 3/1992 Hawkins D14/451
D388,077 S * 12/1997 Starck D6/300
D403,670 S * 1/1999 Liao D14/126
D414,164 S * 9/1999 Rorke et al. D14/374
D415,147 S * 10/1999 Adachi D14/132

FIG. 1 is a perspective view of a portable media player showing our new design;
FIG. 2 is a front view thereof;
FIG. 3 is a rear view thereof;
FIG. 4 is a left side view thereof;
FIG. 5 is a right side view thereof;
FIG. 6 is a top view thereof;
FIG. 7 is a bottom view thereof; and,
FIG. 8 is a view thereof showing the application of the portable media player wherein the back cover can rotate to an angle so as to stand the portable media player.

1 Claim, 4 Drawing Sheets



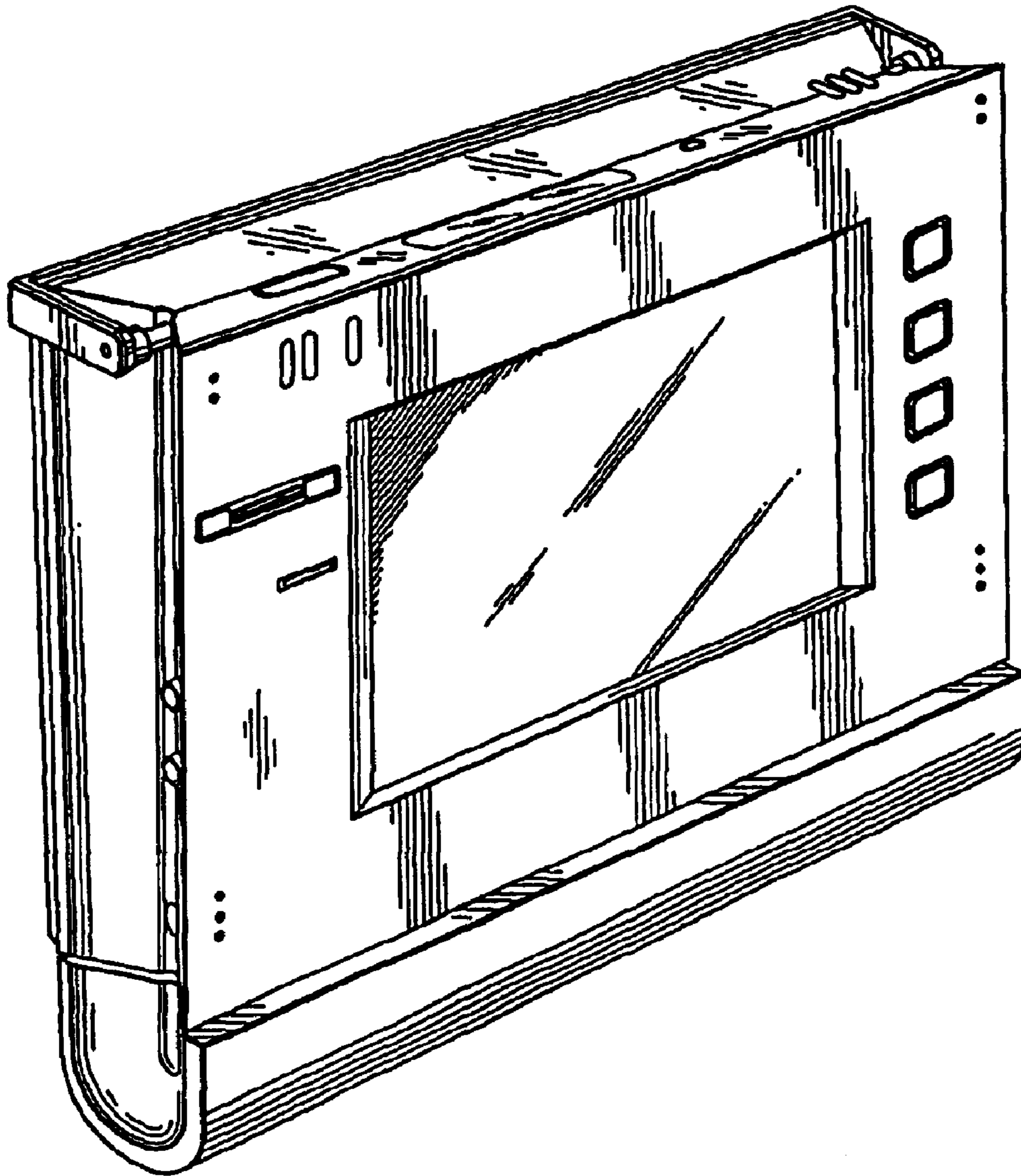


FIG. 1

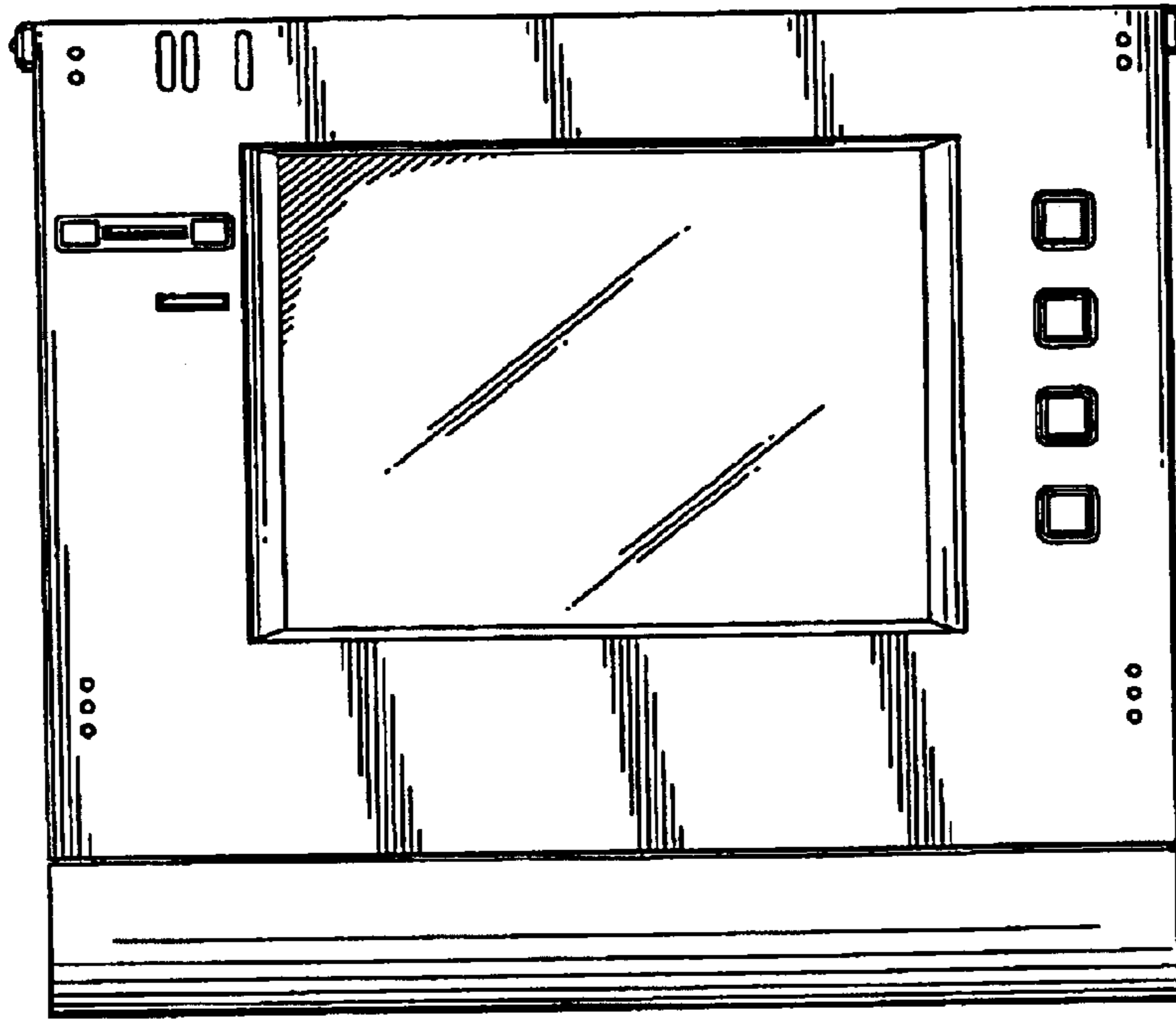


FIG. 2

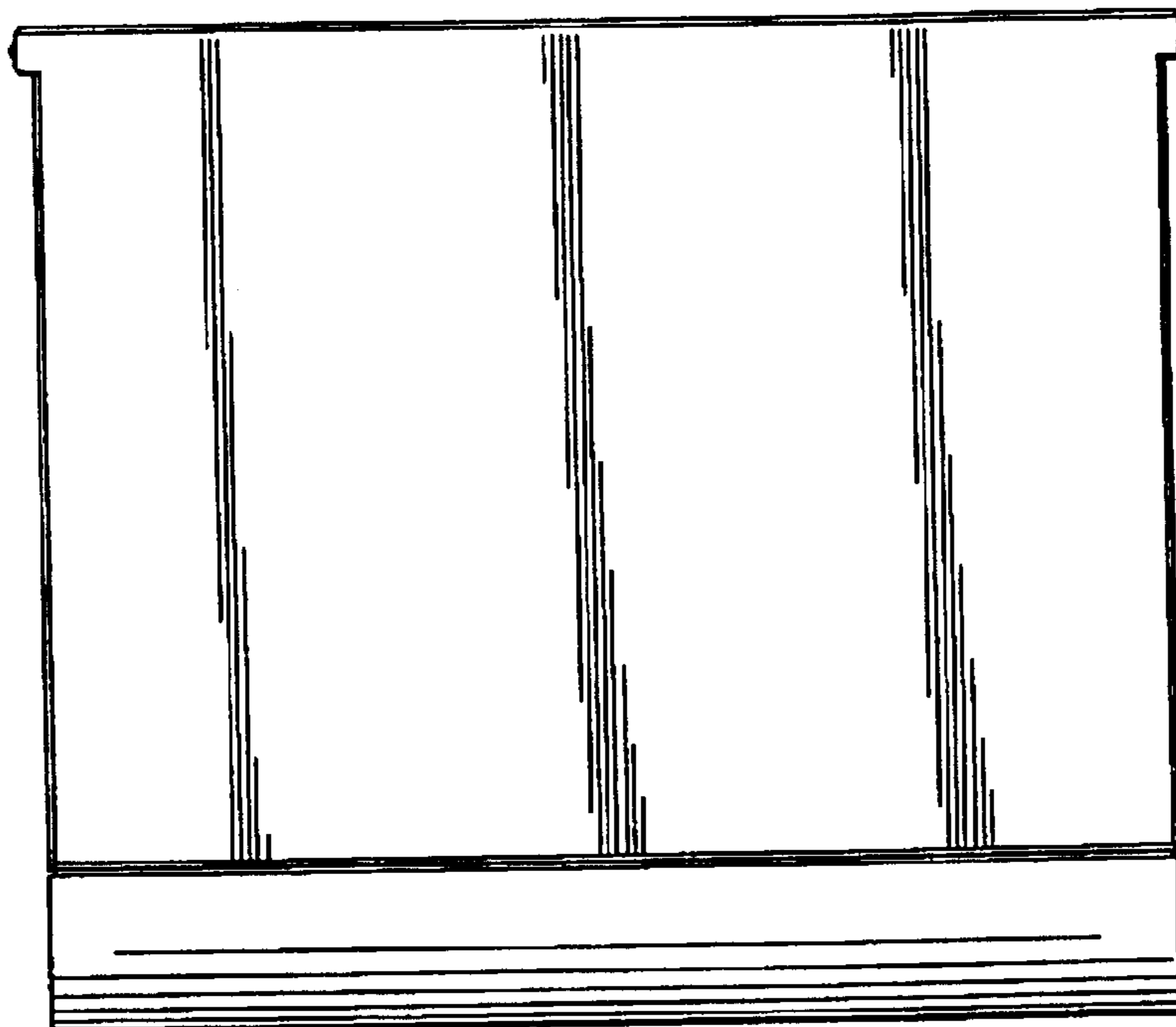


FIG. 3

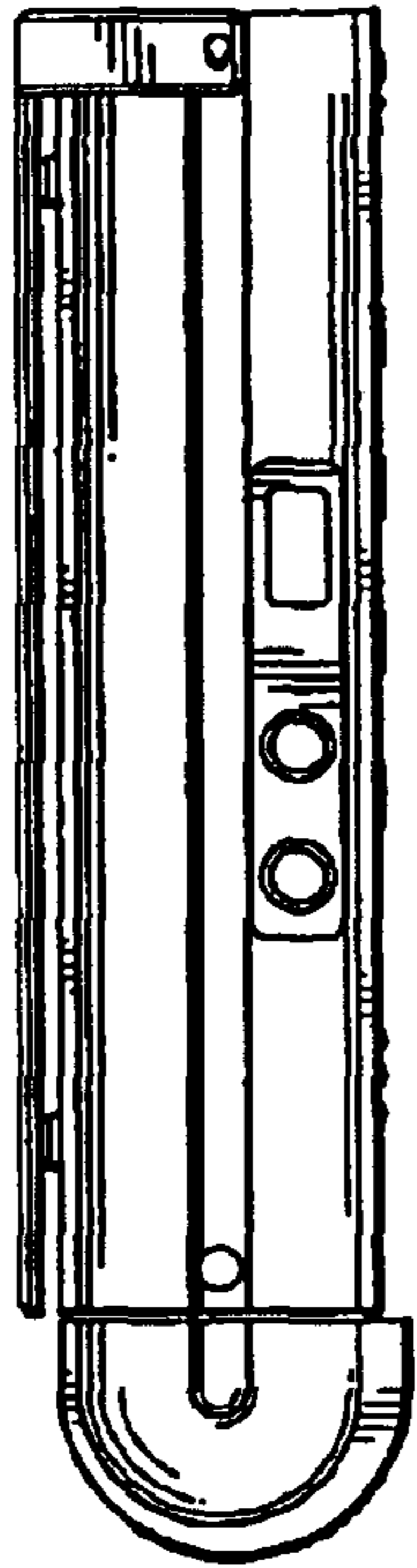


FIG. 4

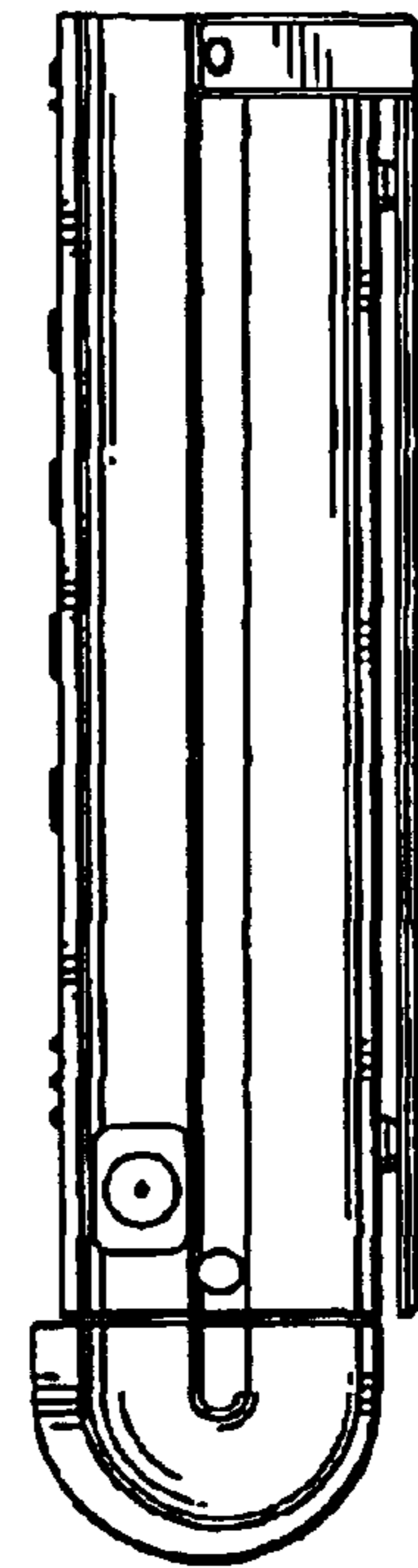


FIG. 5

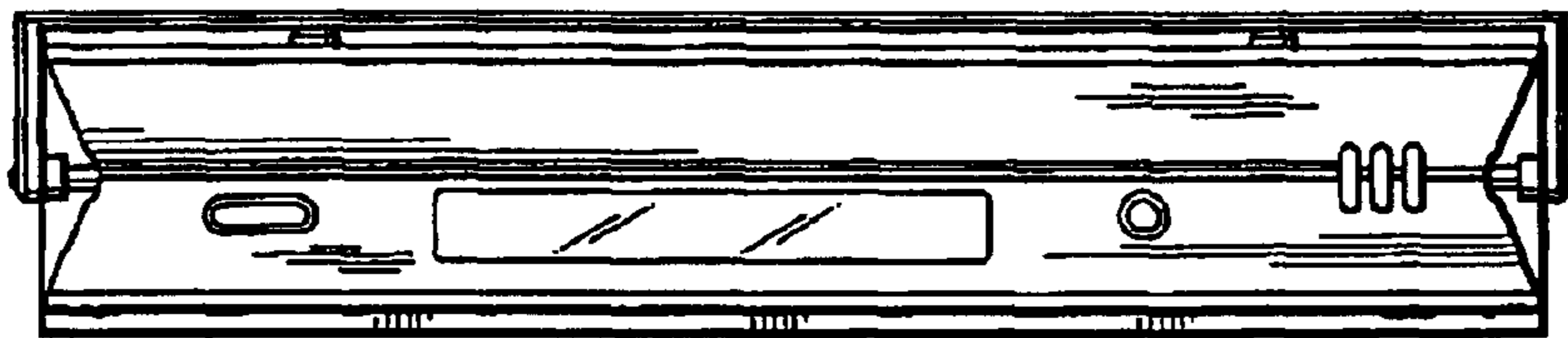


FIG. 6

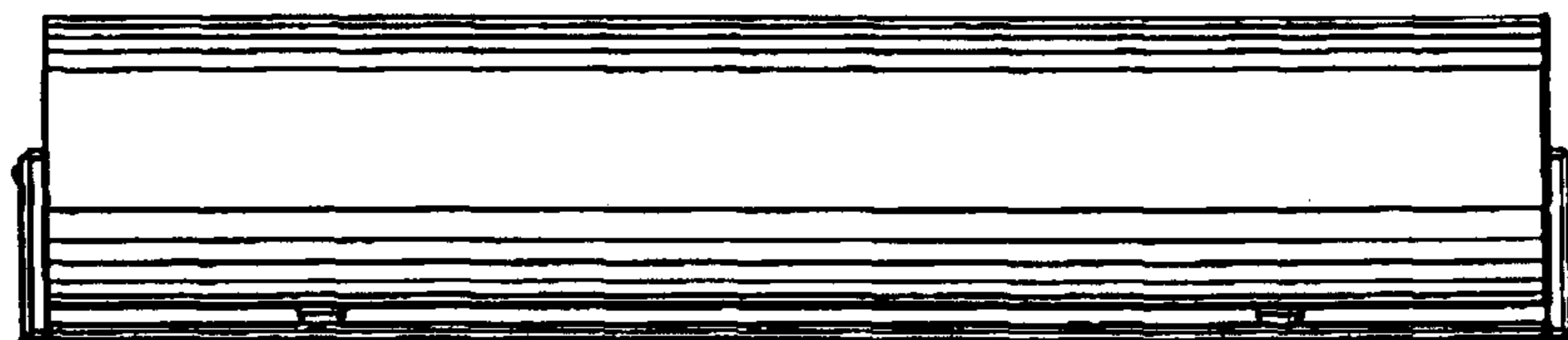


FIG. 7

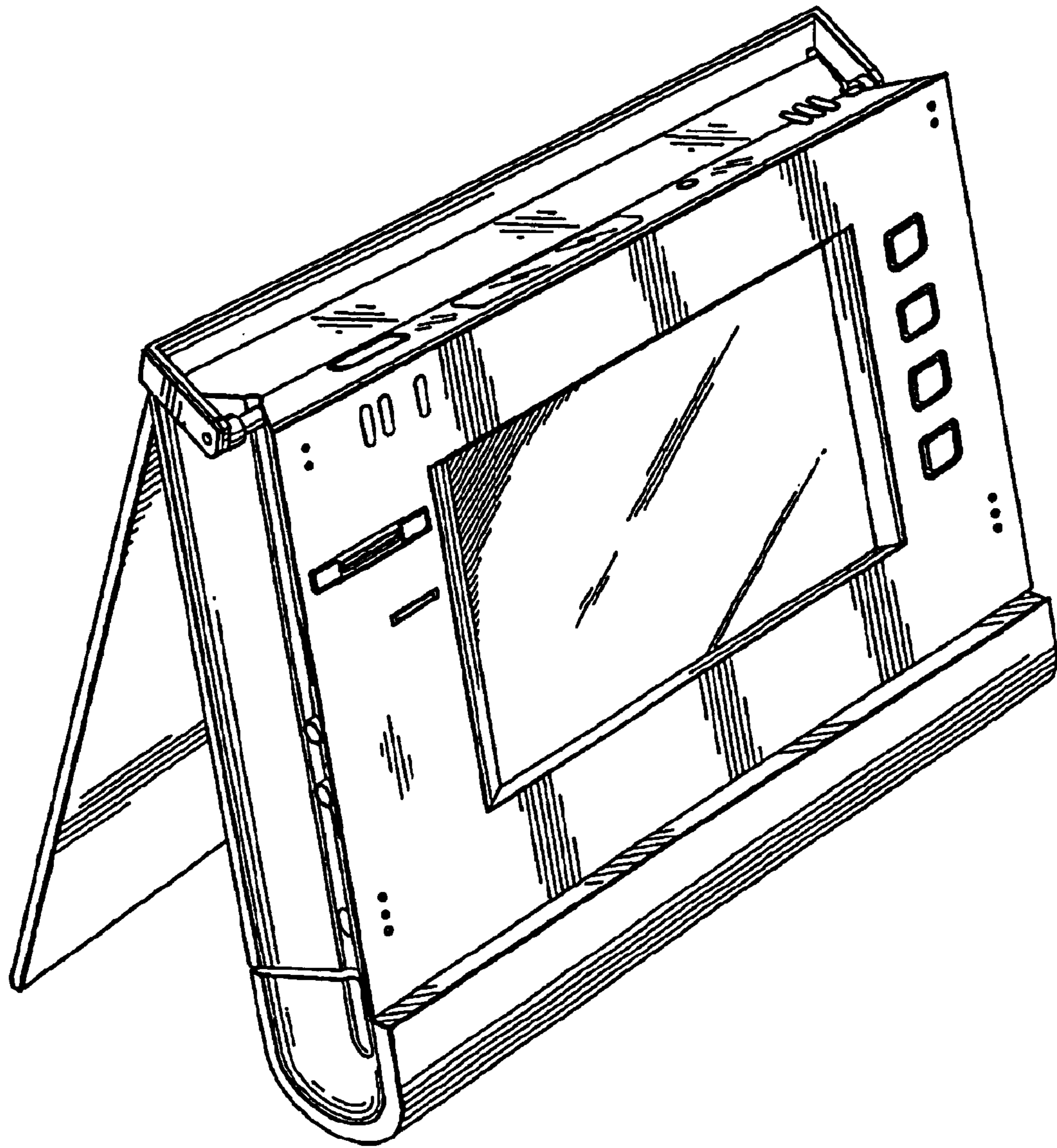


FIG. 8