



US00D491898S1

(12) **United States Design Patent**
Kamada

(10) **Patent No.:** **US D491,898 S**
(45) **Date of Patent:** **** Jun. 22, 2004**

(54) **LIGHT EMITTING DIODE**

(75) Inventor: **Kazuhiro Kamada**, Tokushima (JP)

(73) Assignee: **Nichia Corporation**, Anan (JP)

(**) Term: **14 Years**

(21) Appl. No.: **29/175,175**

(22) Filed: **Jan. 31, 2003**

(30) **Foreign Application Priority Data**

Jul. 31, 2002 (JP) 2002-020436
Jul. 31, 2002 (JP) 2002-020437

(51) **LOC (7) Cl.** **13-03**

(52) **U.S. Cl.** **D13/180**

(58) **Field of Search** D10/104; D13/180,
D13/182; D26/37; 250/239; 257/88, 89,
98, 99, 100; 313/500, 290, 499; 315/161;
345/39, 46, 82, 84; 361/820; 302/800

(56) **References Cited**

U.S. PATENT DOCUMENTS

4,316,208 A * 2/1982 Kobayashi et al. 257/98
4,791,290 A * 12/1988 Noone et al. 250/239
5,266,817 A * 11/1993 Lin 257/89
6,084,252 A * 7/2000 Isokawa et al. 257/98
6,429,464 B1 * 8/2002 Lin 257/99
6,501,103 B1 * 12/2002 Jory et al. 257/100
6,541,800 B2 * 4/2003 Barnett et al. 257/98

FOREIGN PATENT DOCUMENTS

JP 1046442 8/1999
JP 1046565 8/1999
JP 1046442-1 8/1999
JP 1046442-2 8/1999
JP 1046565-1 8/1999
JP 1046565-2 8/1999

* cited by examiner

Primary Examiner—Philip S. Hyder
Assistant Examiner—Selina Sikder

(74) *Attorney, Agent, or Firm*—Burns, Doane, Swecker & Mathis, L.L.P.

(57) **CLAIM**

The ornamental design for a light emitting diode, as shown and described.

DESCRIPTION

FIG. 1 is a perspective view of the first embodiment of a light emitting diode showing my new design;
FIG. 2 is a front elevational view thereof, rear elevational view being a mirror image;
FIG. 3 is a top plan view thereof;
FIG. 4 is a bottom plan view thereof;
FIG. 5 is a right side elevational view thereof, left side elevational view being a mirror image;
FIG. 6 is a perspective view of the second embodiment of a light emitting diode showing my new design.
FIG. 7 is a front elevational view thereof, the rear elevational view being a mirror image thereof;
FIG. 8 is a top plan view thereof;
FIG. 9 is a bottom plan view thereof;
FIG. 10 is a right side elevational view thereof, the left side elevational view being a mirror image thereof;
FIG. 11 is a perspective view of the third embodiment of a light emitting diode showing my new design.
FIG. 12 is a front elevational view thereof, the rear elevational view being a mirror image thereof;
FIG. 13 is a top plan view thereof;
FIG. 14 is a bottom plan view thereof;
FIG. 15 is a right side elevational view thereof, the left side elevational view being a mirror image thereof;
FIG. 16 is a perspective view of the fourth embodiment of a light emitting diode showing my new design.
FIG. 17 is a front elevational view thereof, the rear elevational view being a mirror image thereof;
FIG. 18 is a top plan view thereof;
FIG. 19 is a bottom plan view thereof; and,
FIG. 20 is a right side elevational view thereof, left side elevational view being a mirror image.
“The broken lines are shown in the the views for illustrative purpose only, and form no part of the claimed design.”

1 Claim, 16 Drawing Sheets

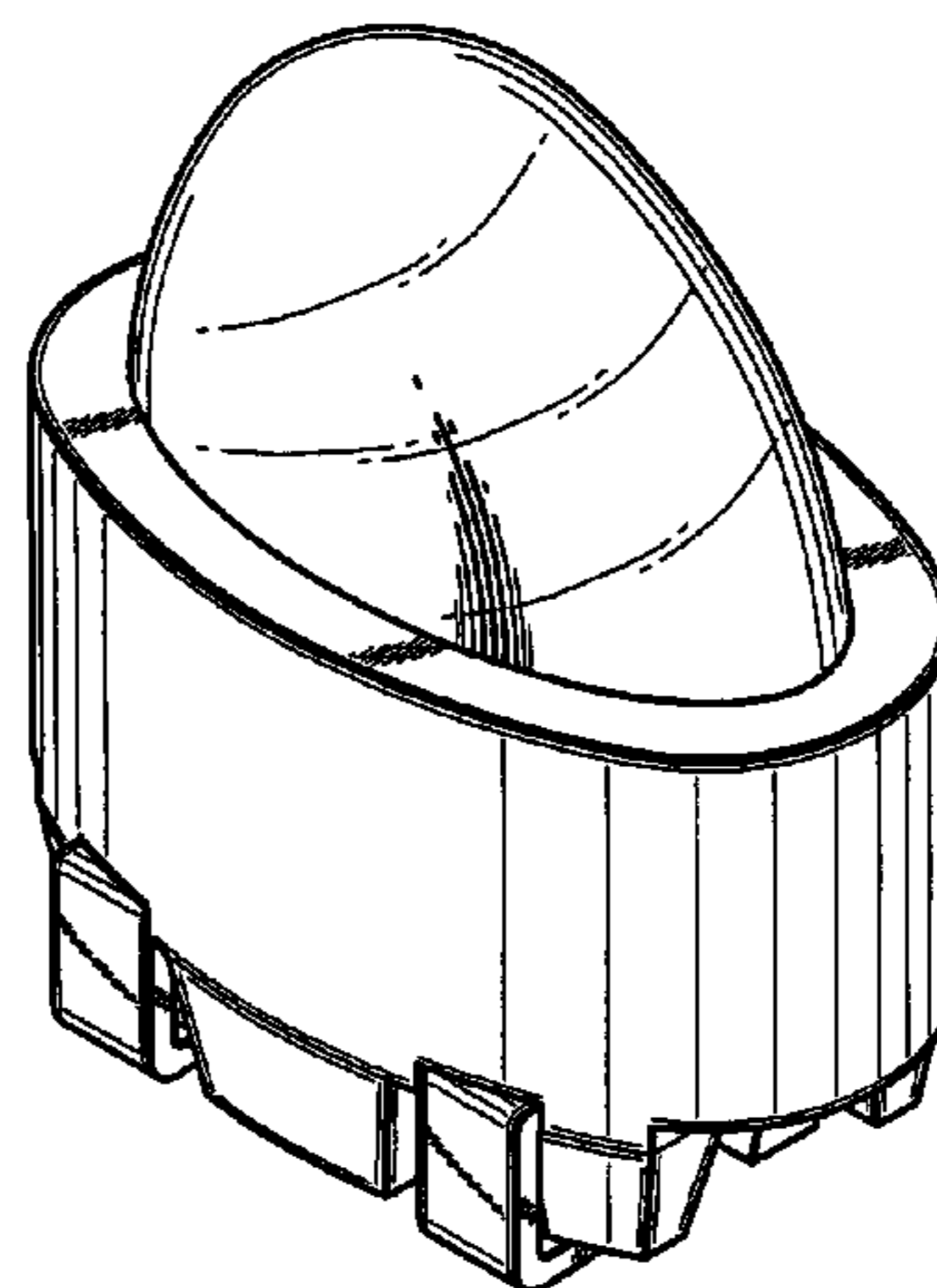
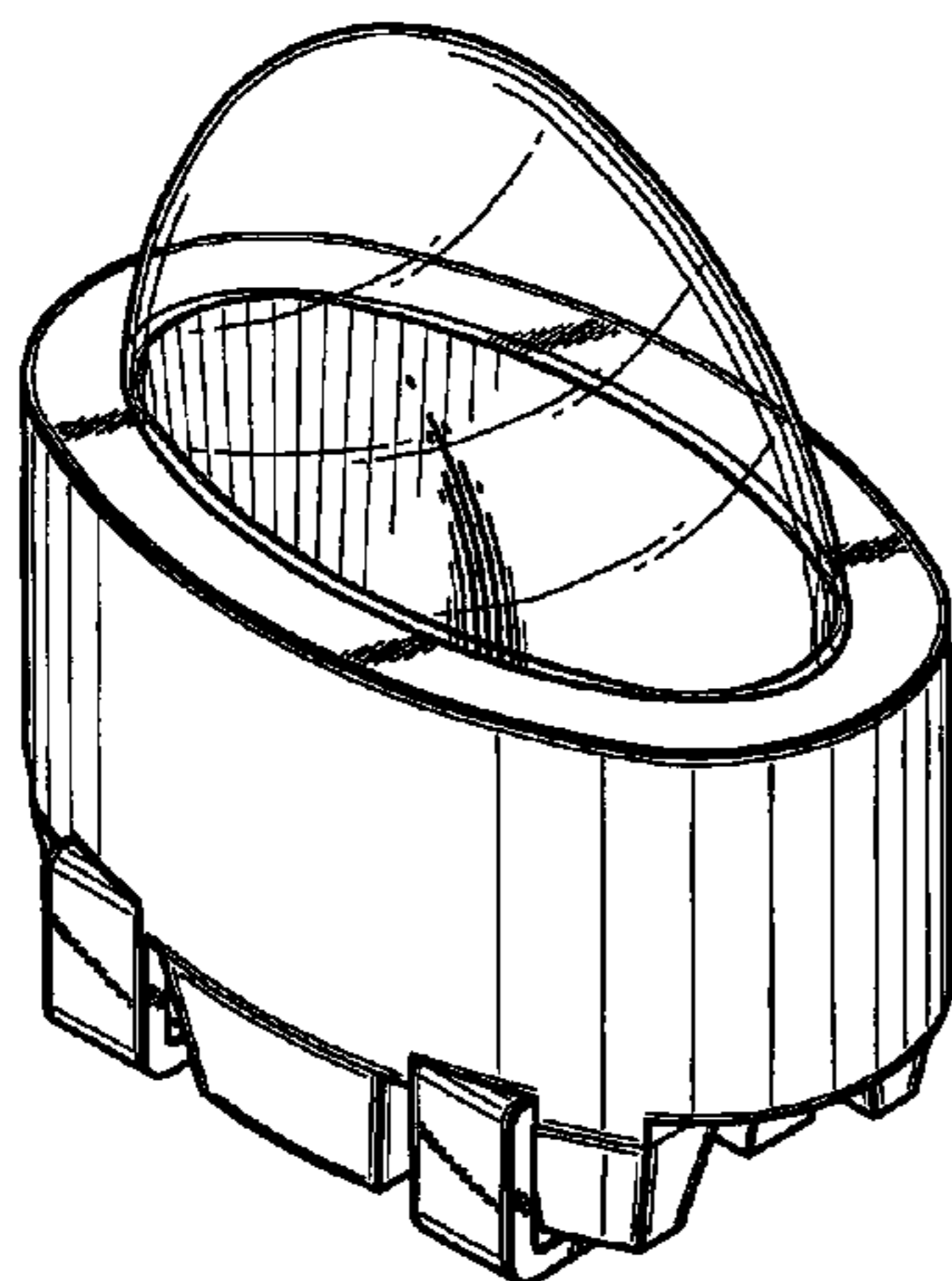


Fig. 1

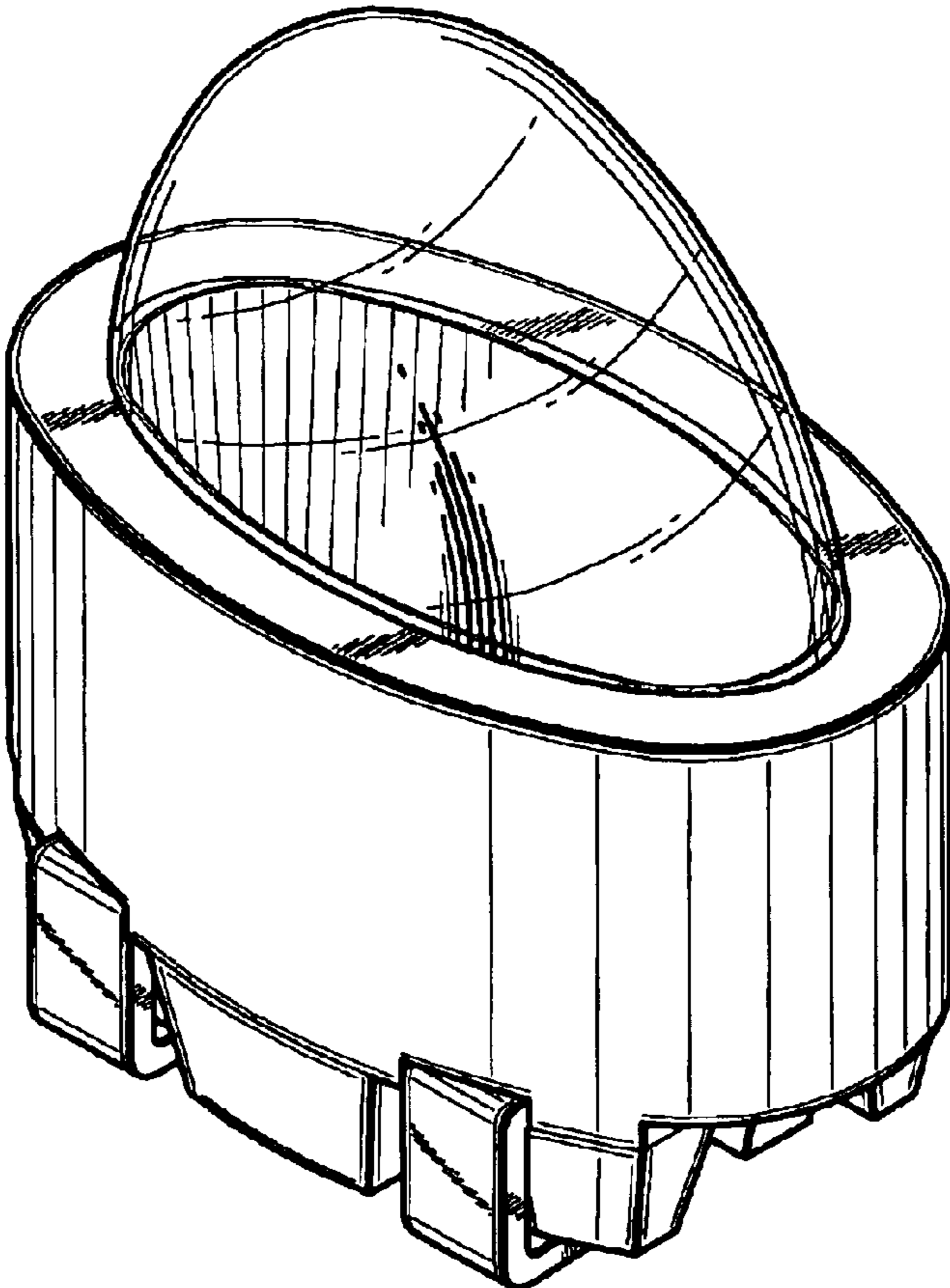


Fig. 2

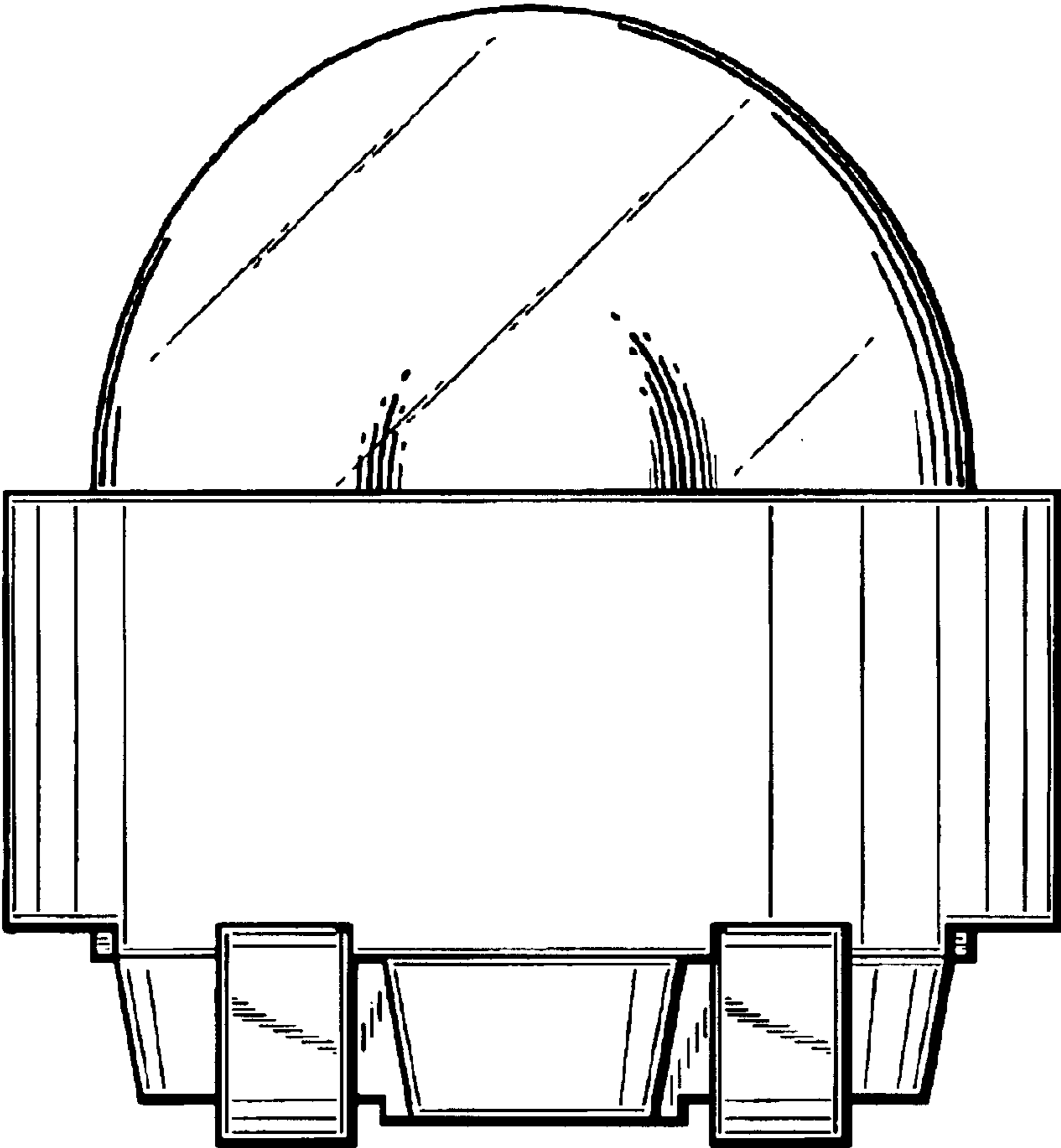


Fig. 3

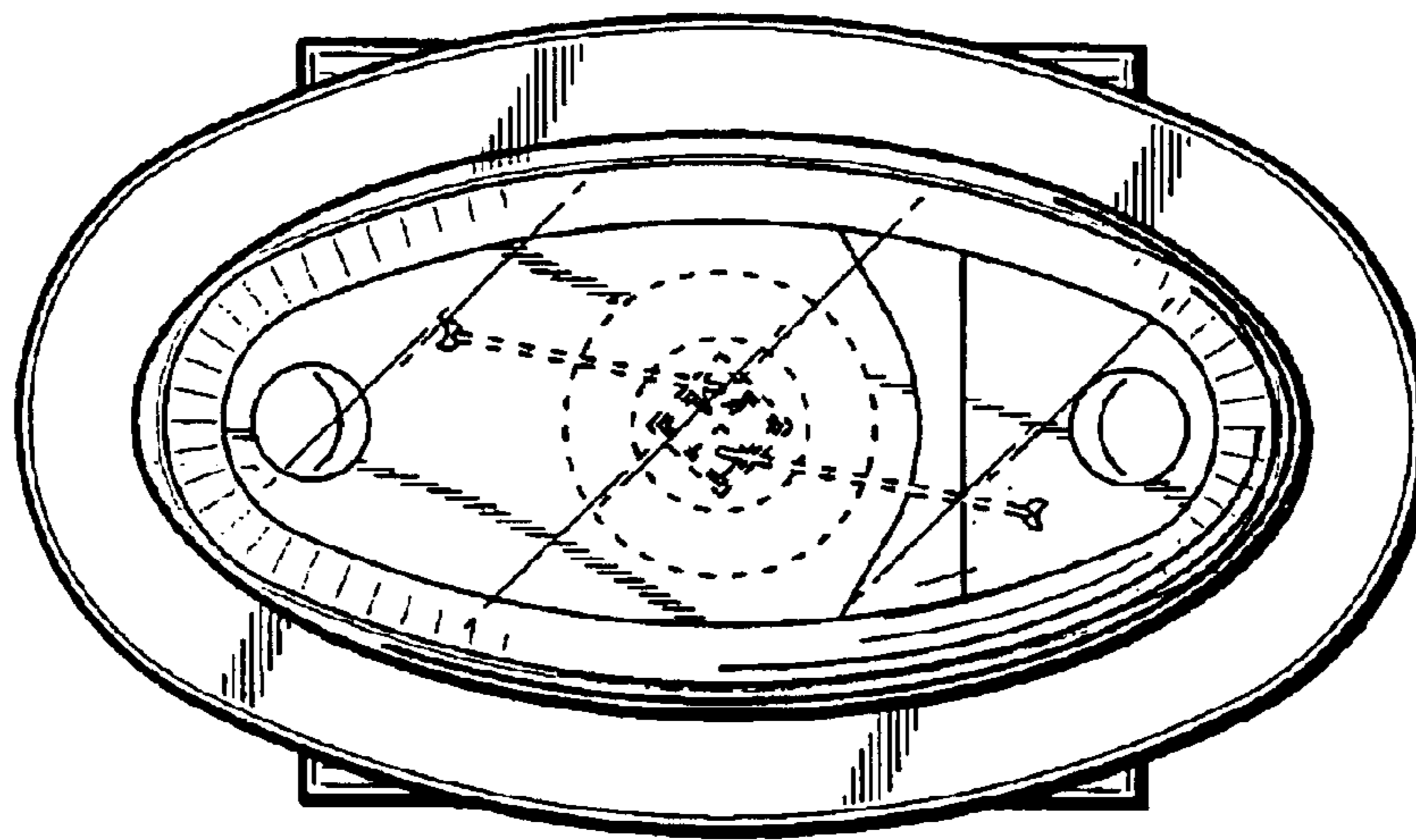


Fig. 4

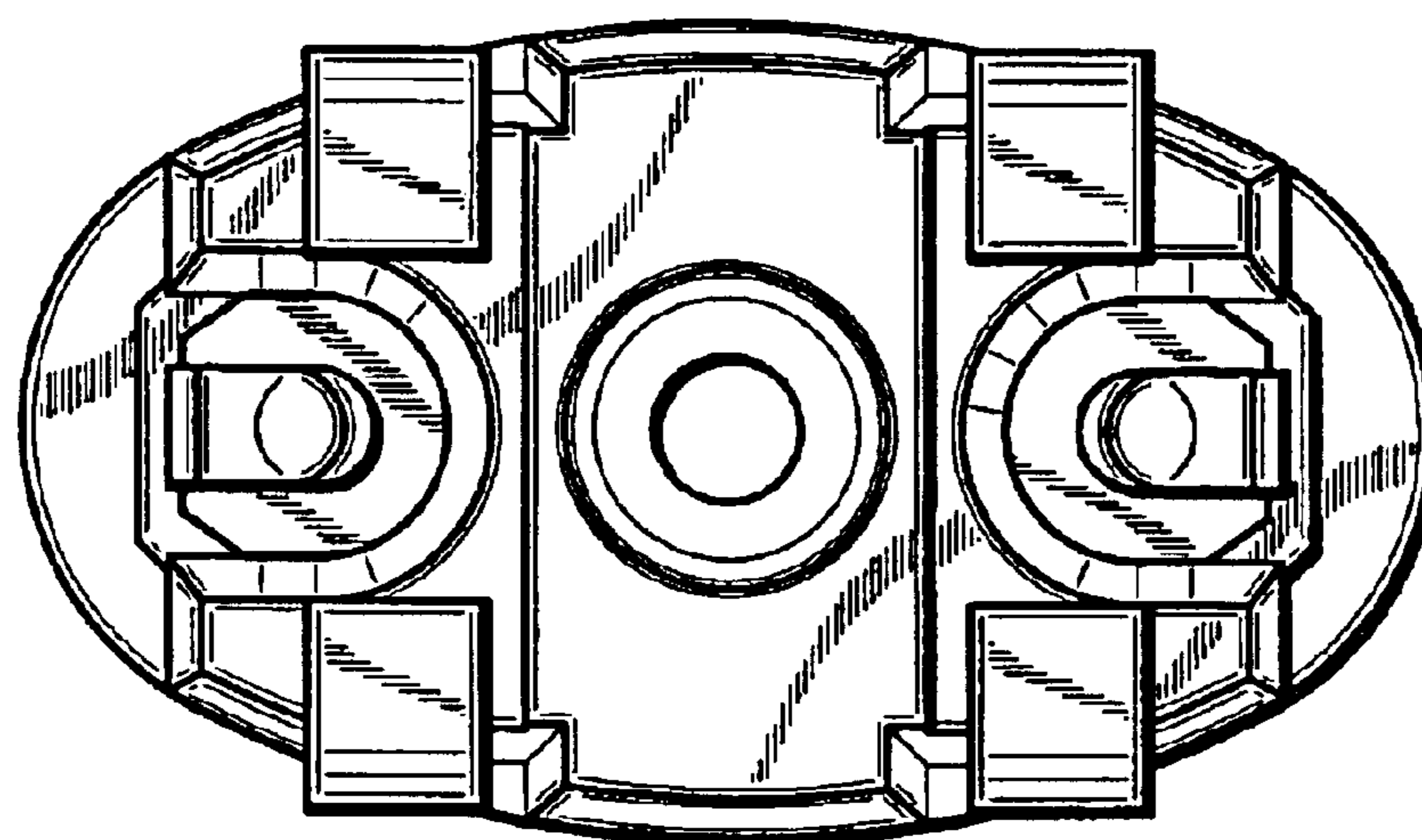


Fig. 5

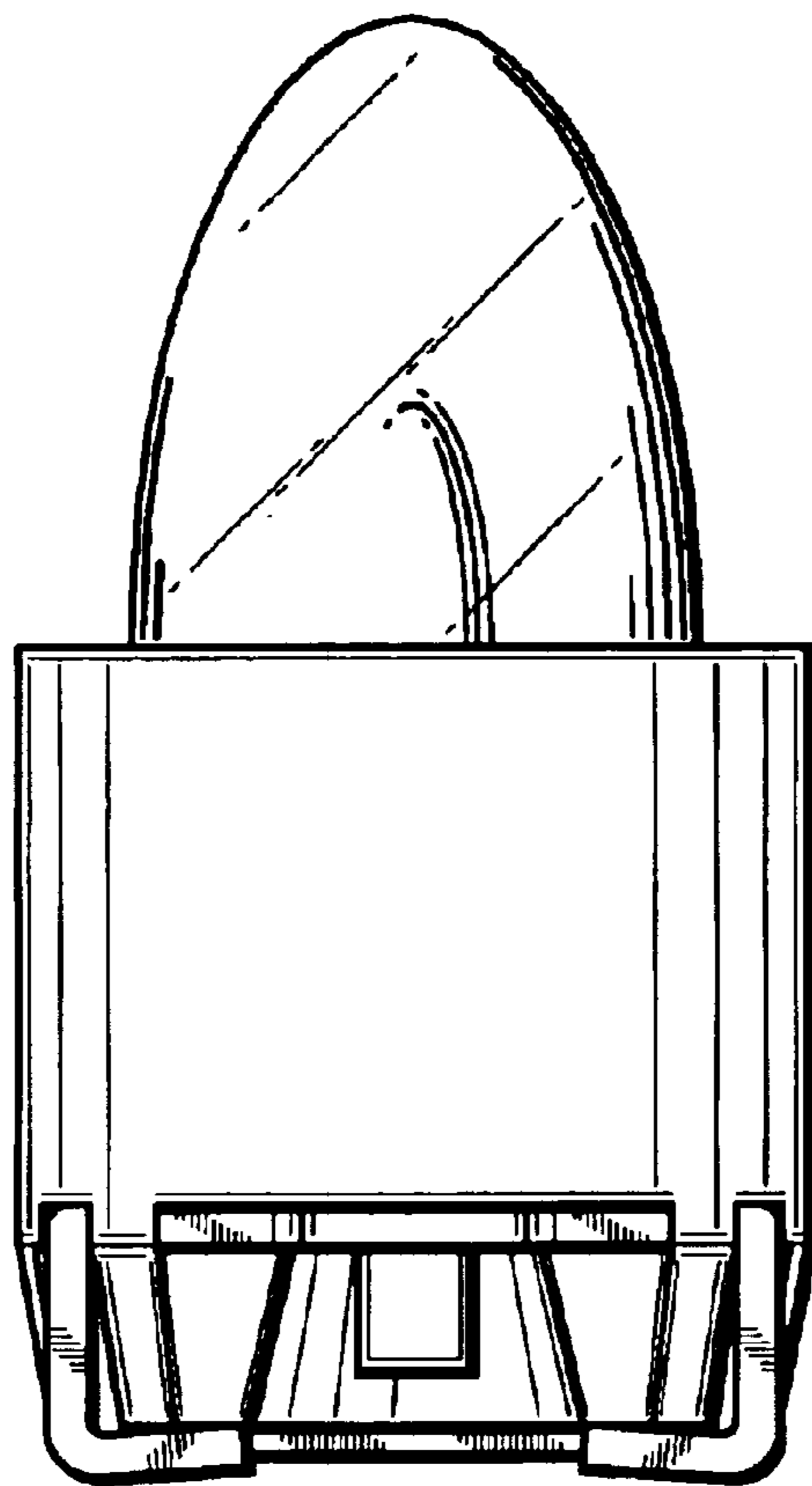


Fig. 6

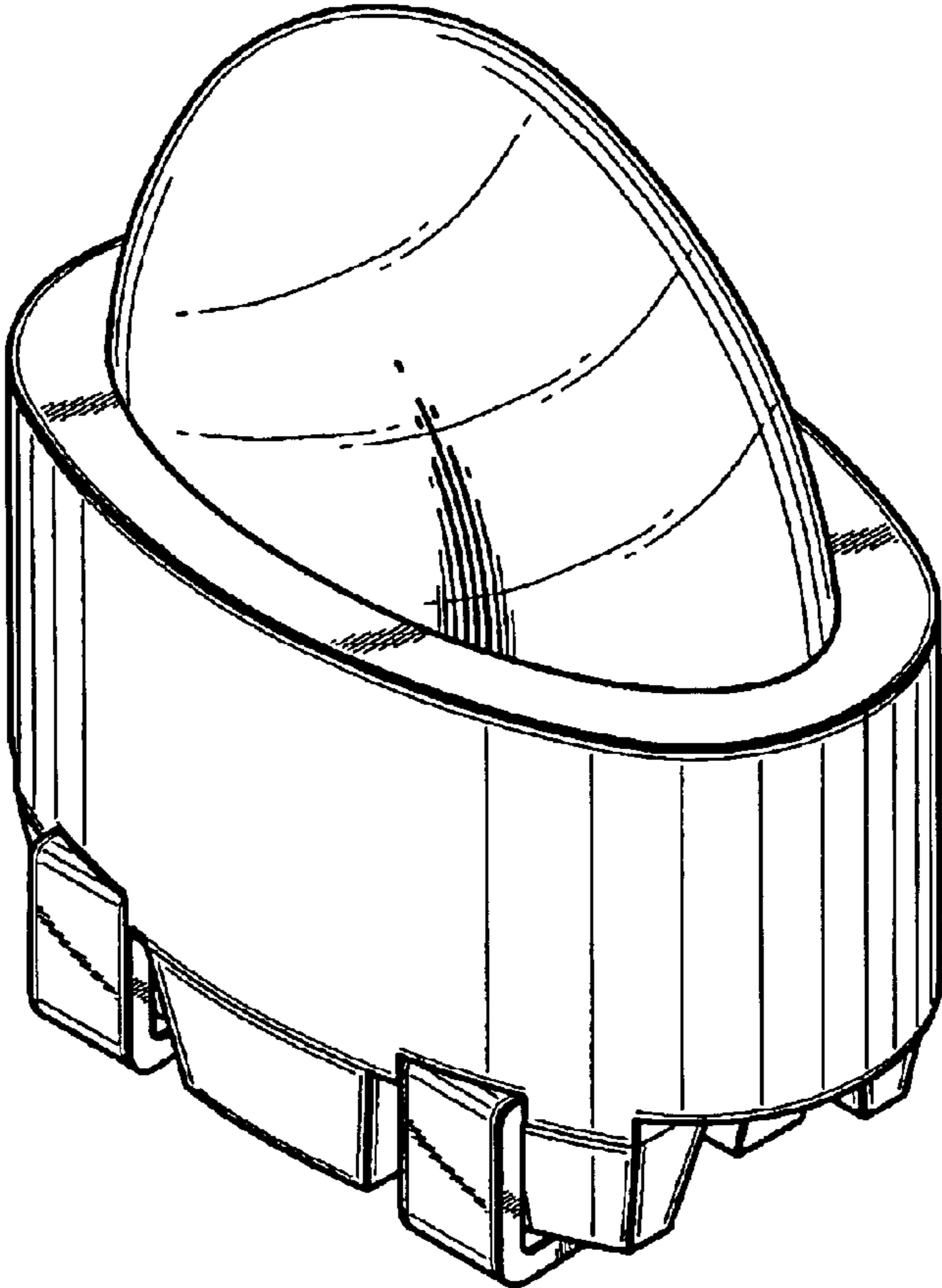


Fig. 7

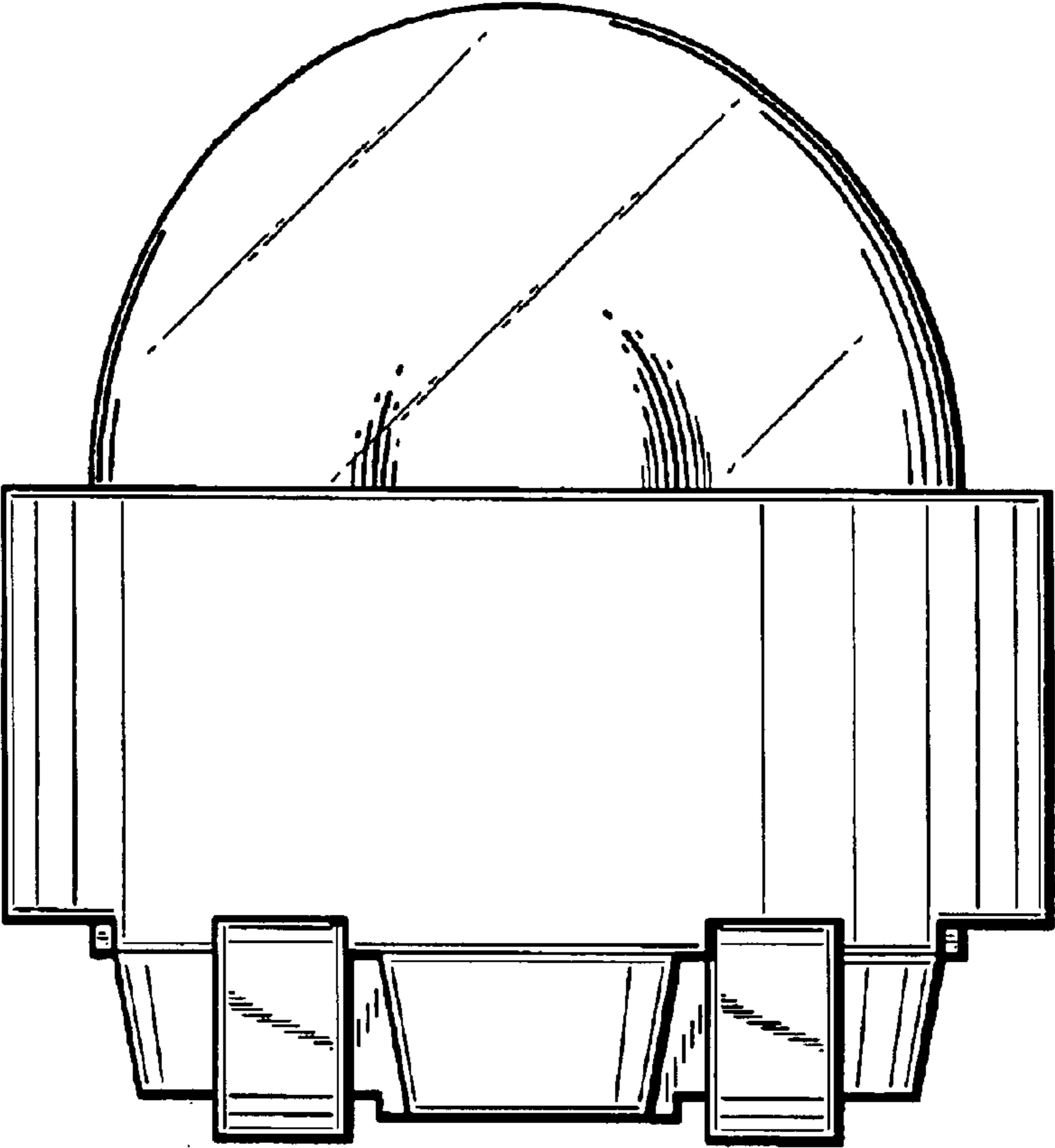


Fig. 8

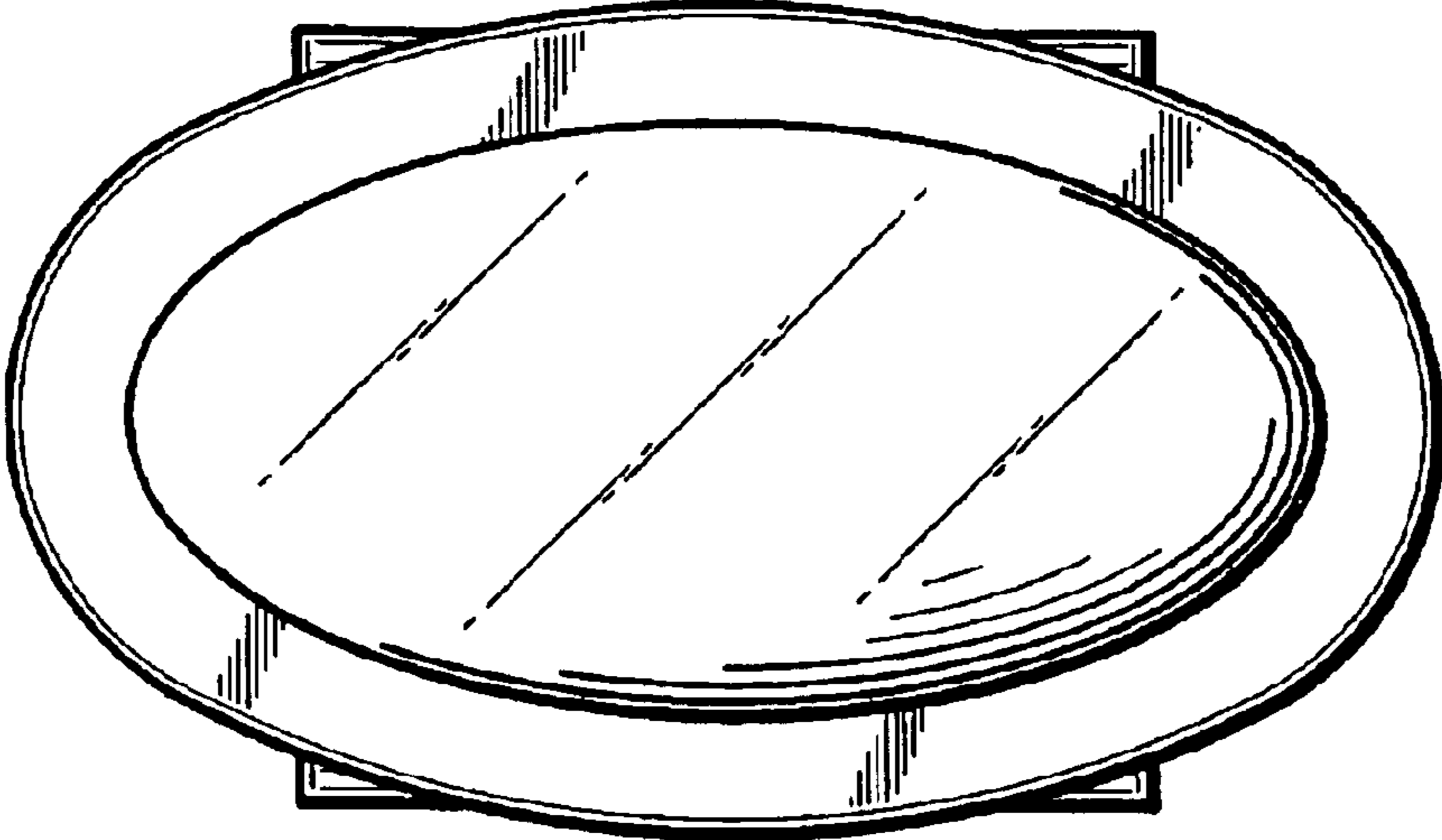


Fig. 9

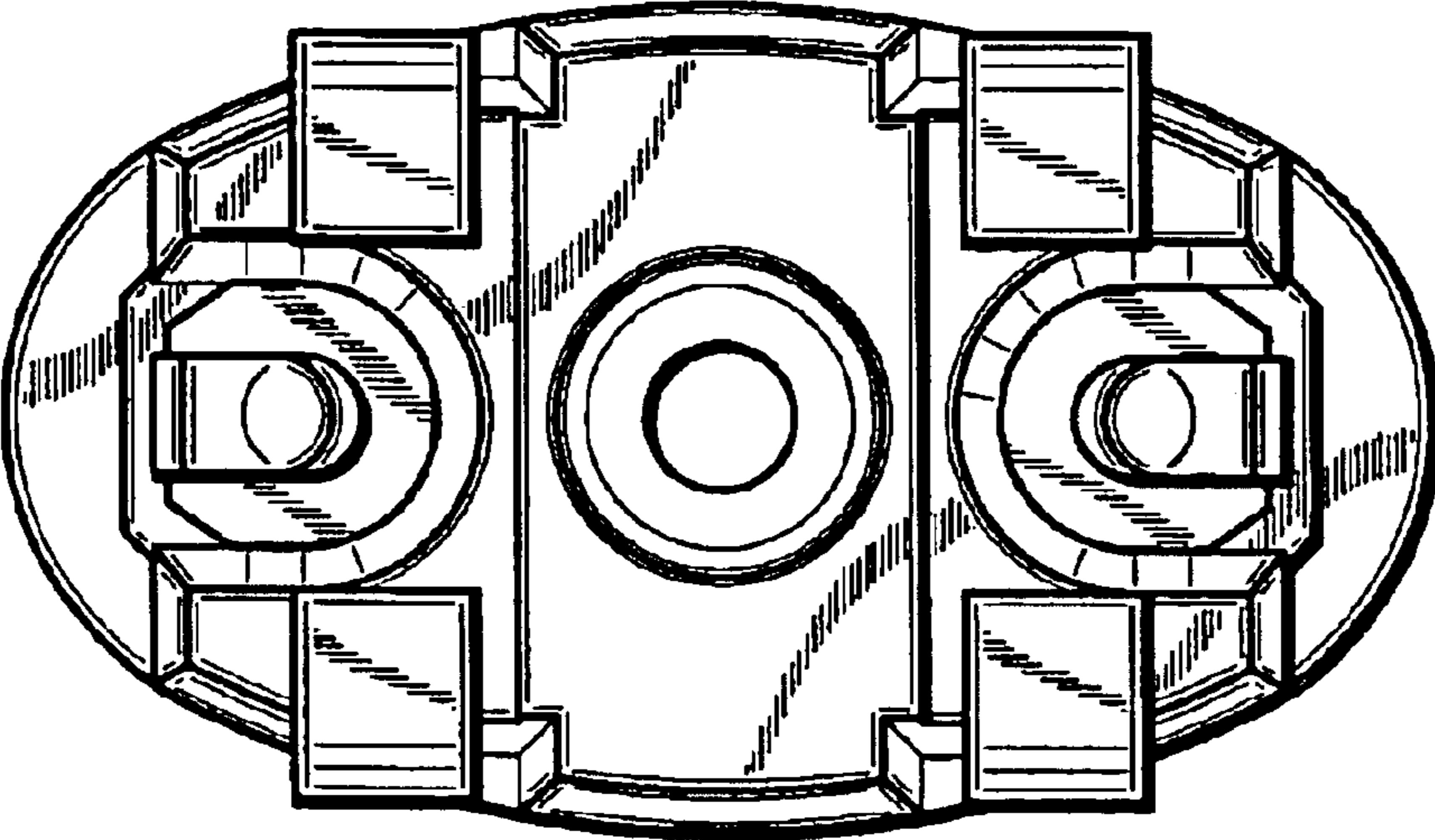


Fig. 10

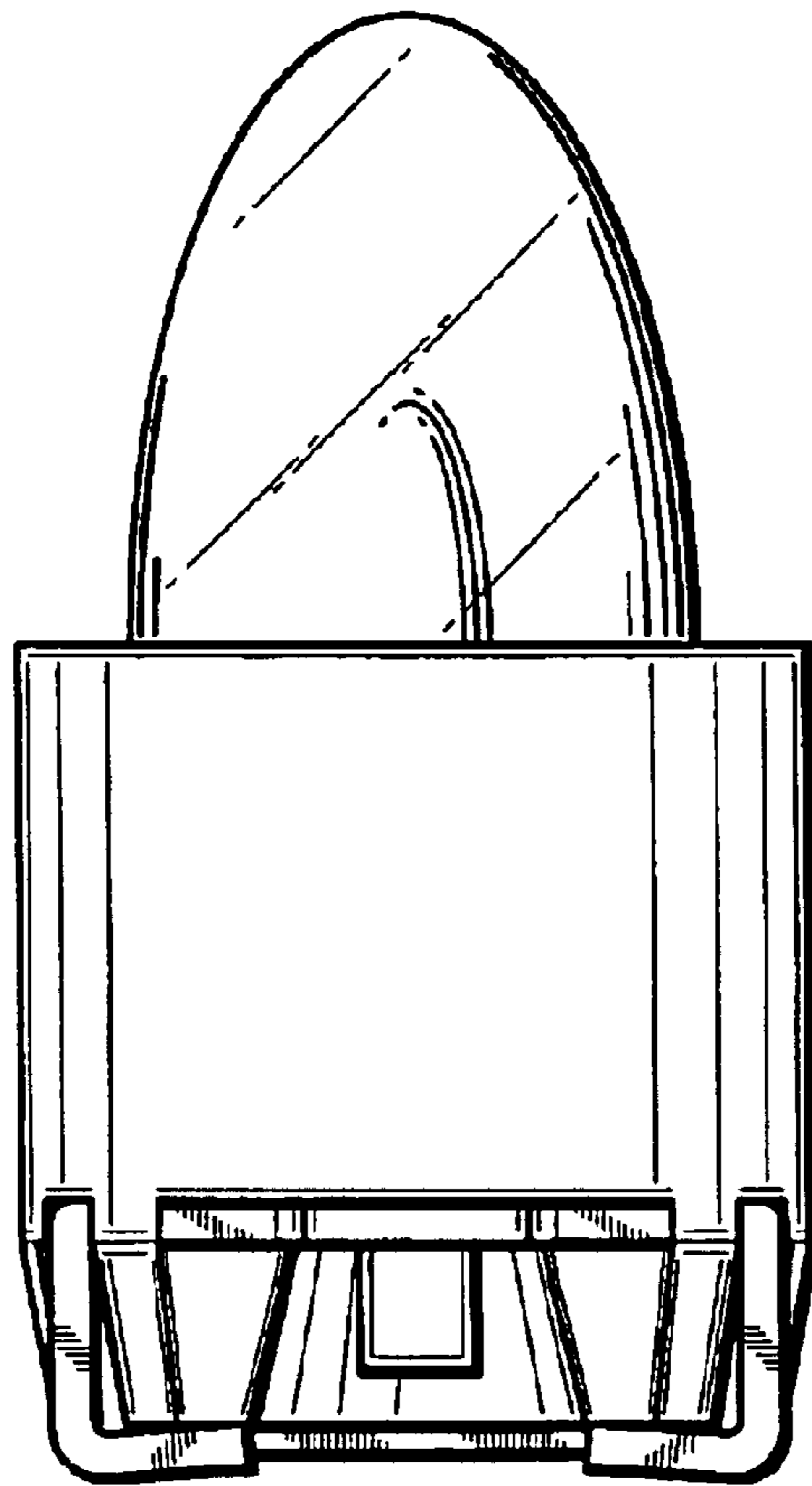


Fig. 11

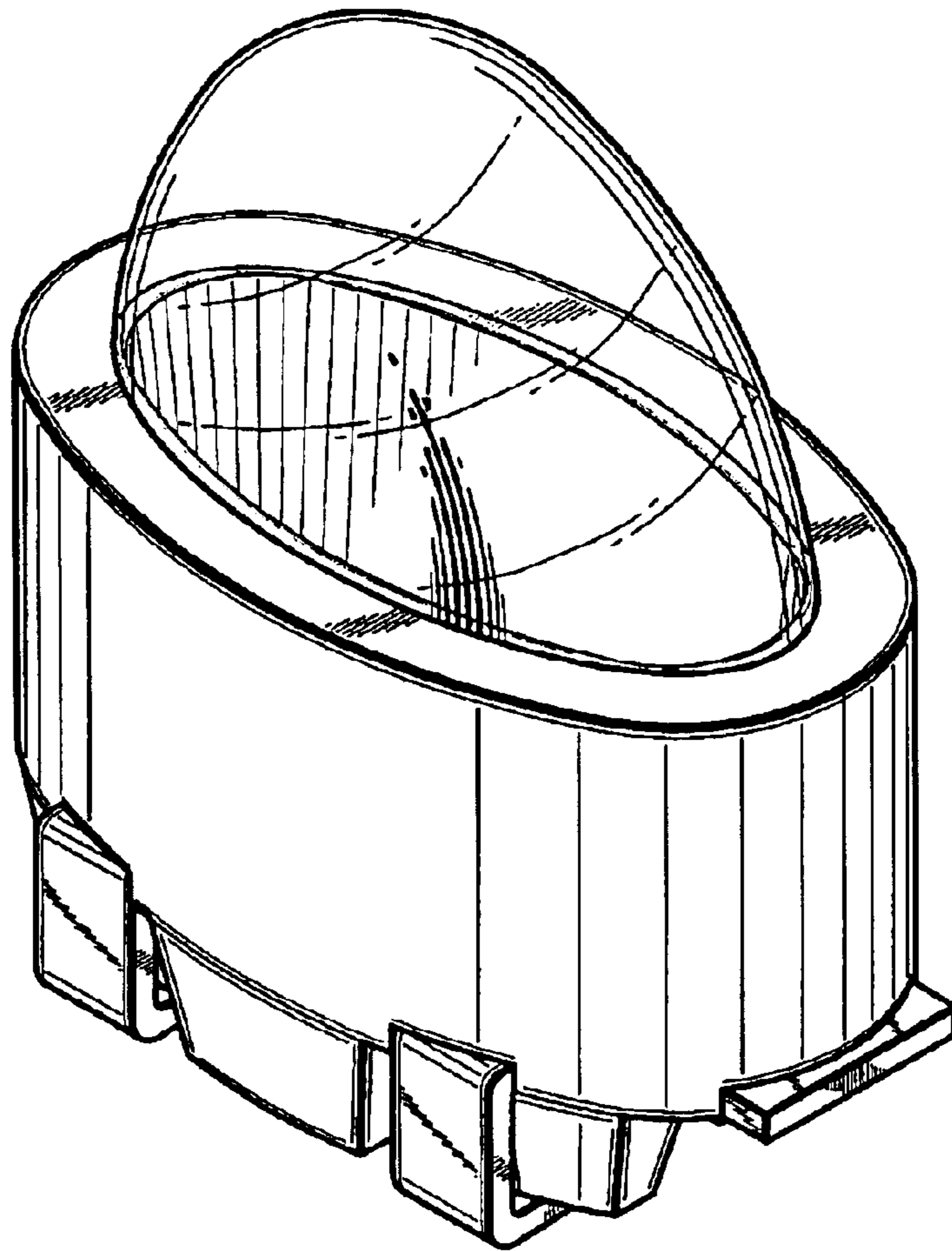


Fig. 12

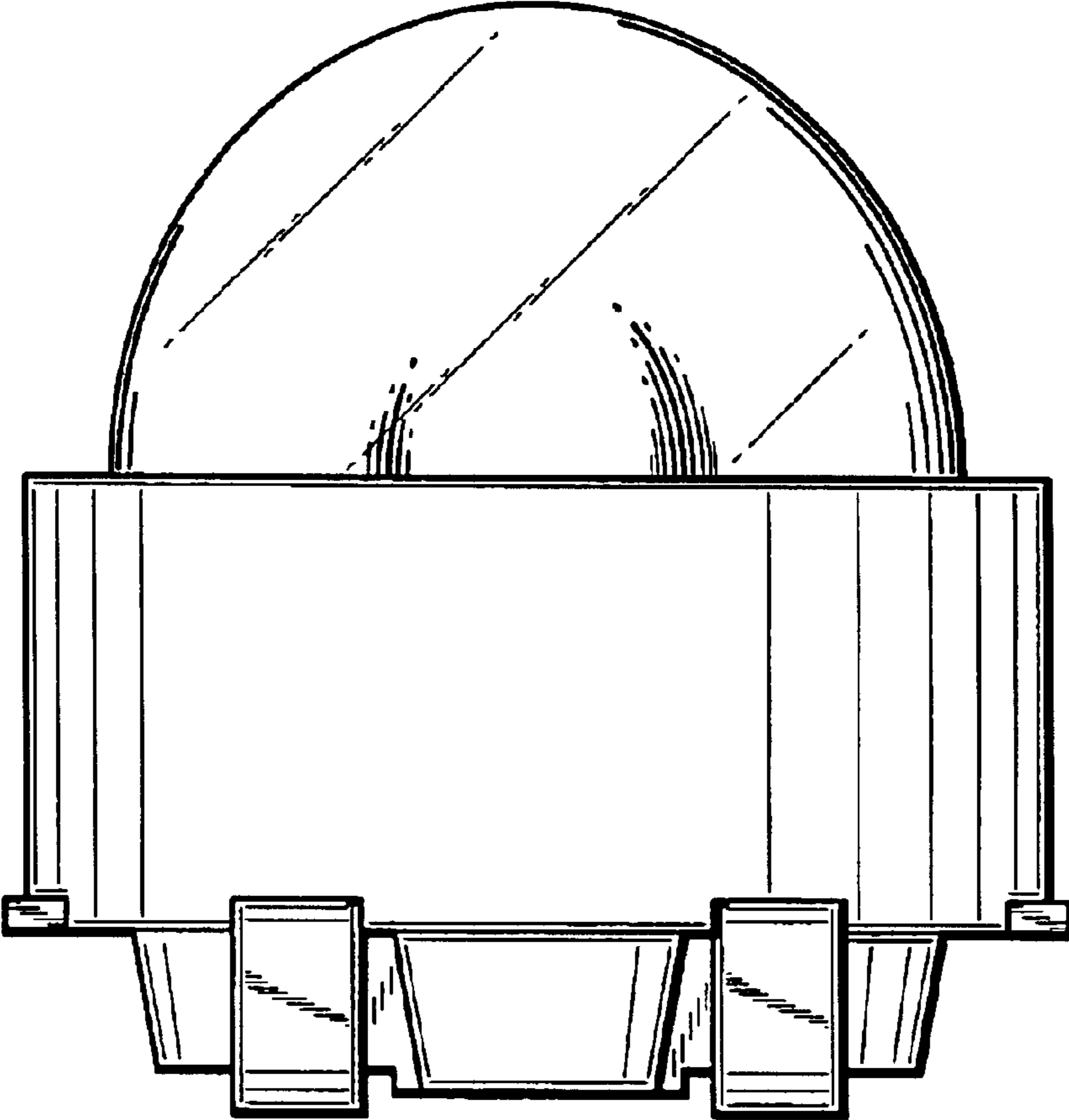


Fig. 13

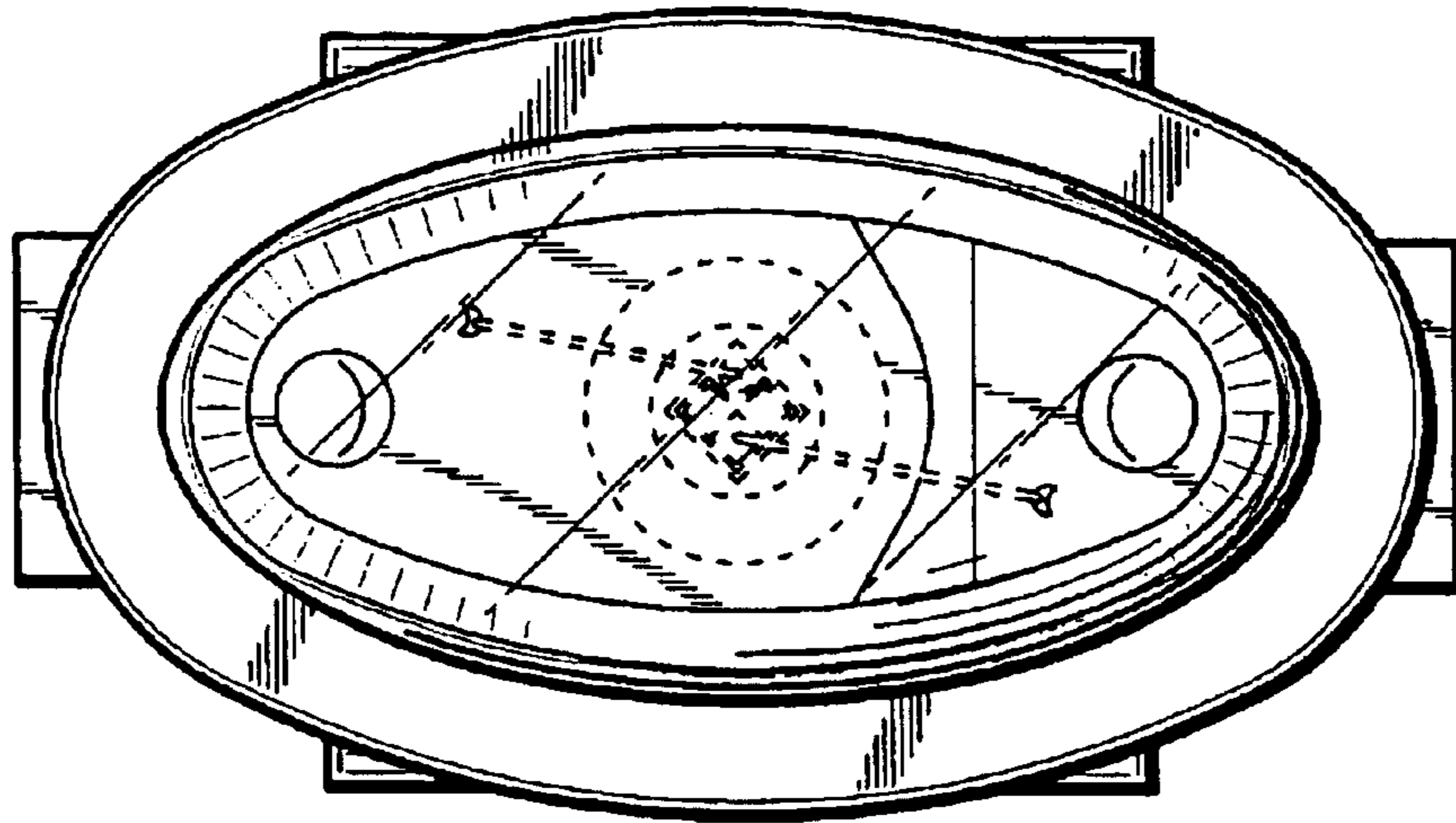


Fig. 14

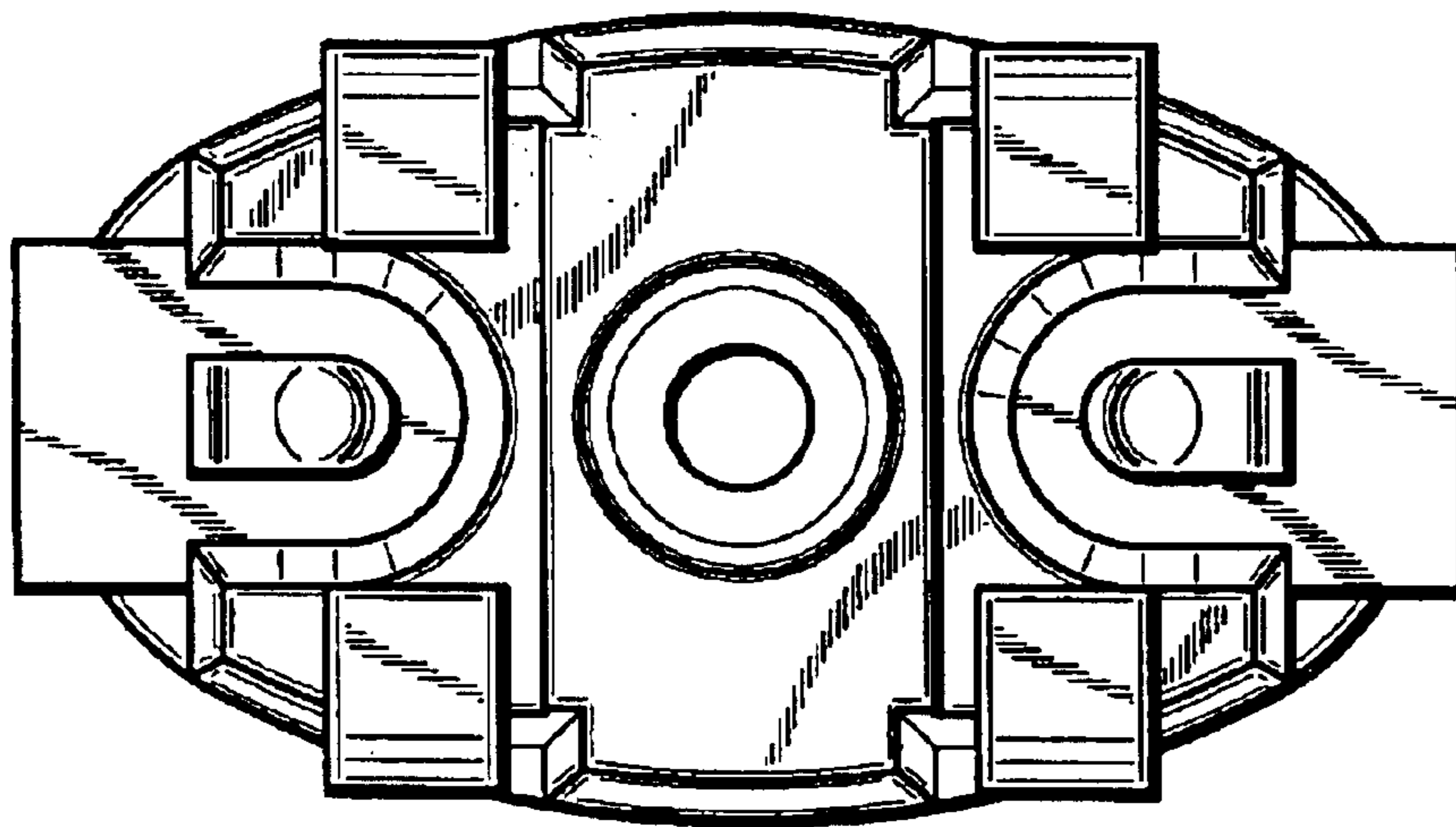


Fig. 15

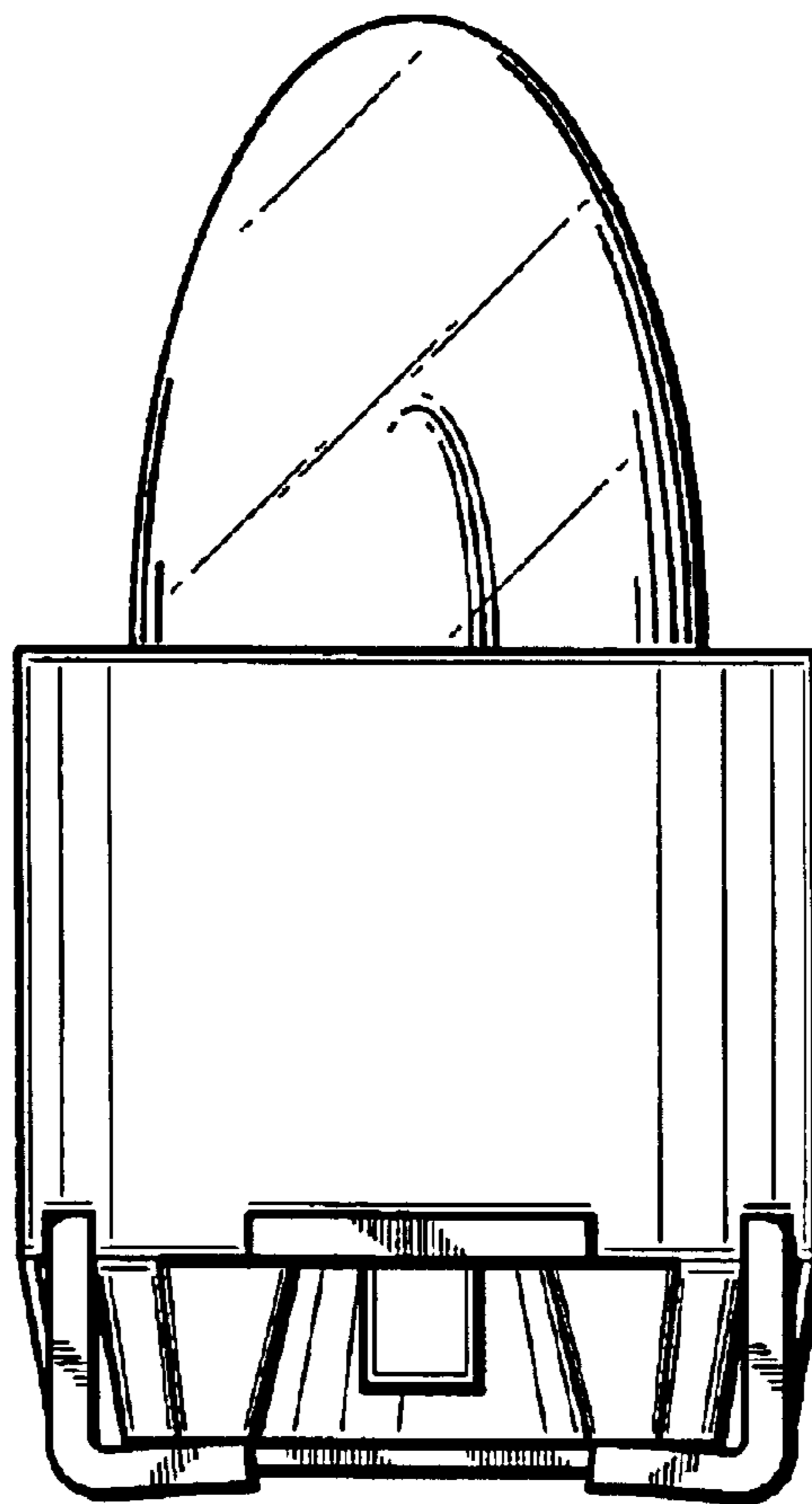


Fig. 16

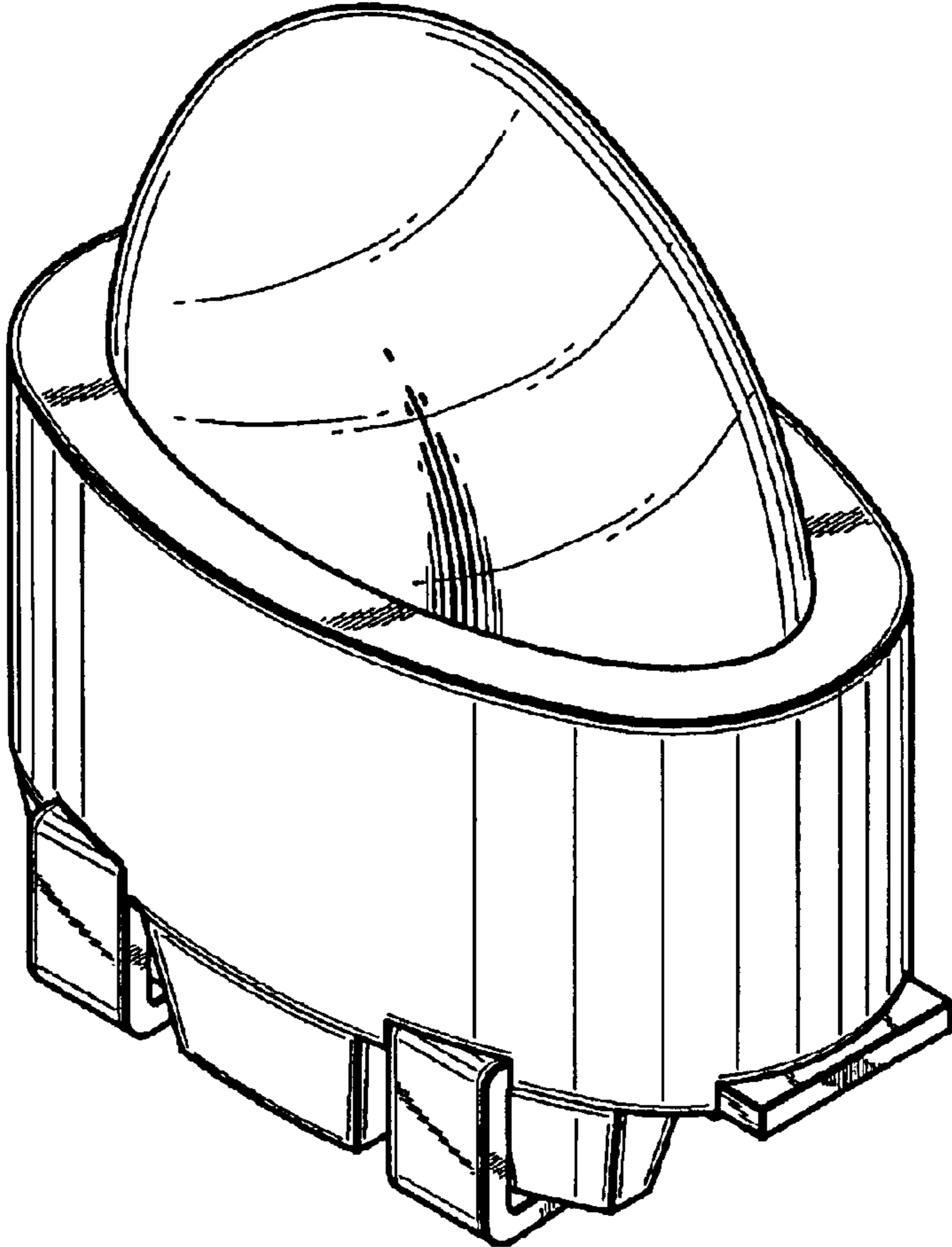


Fig. 17

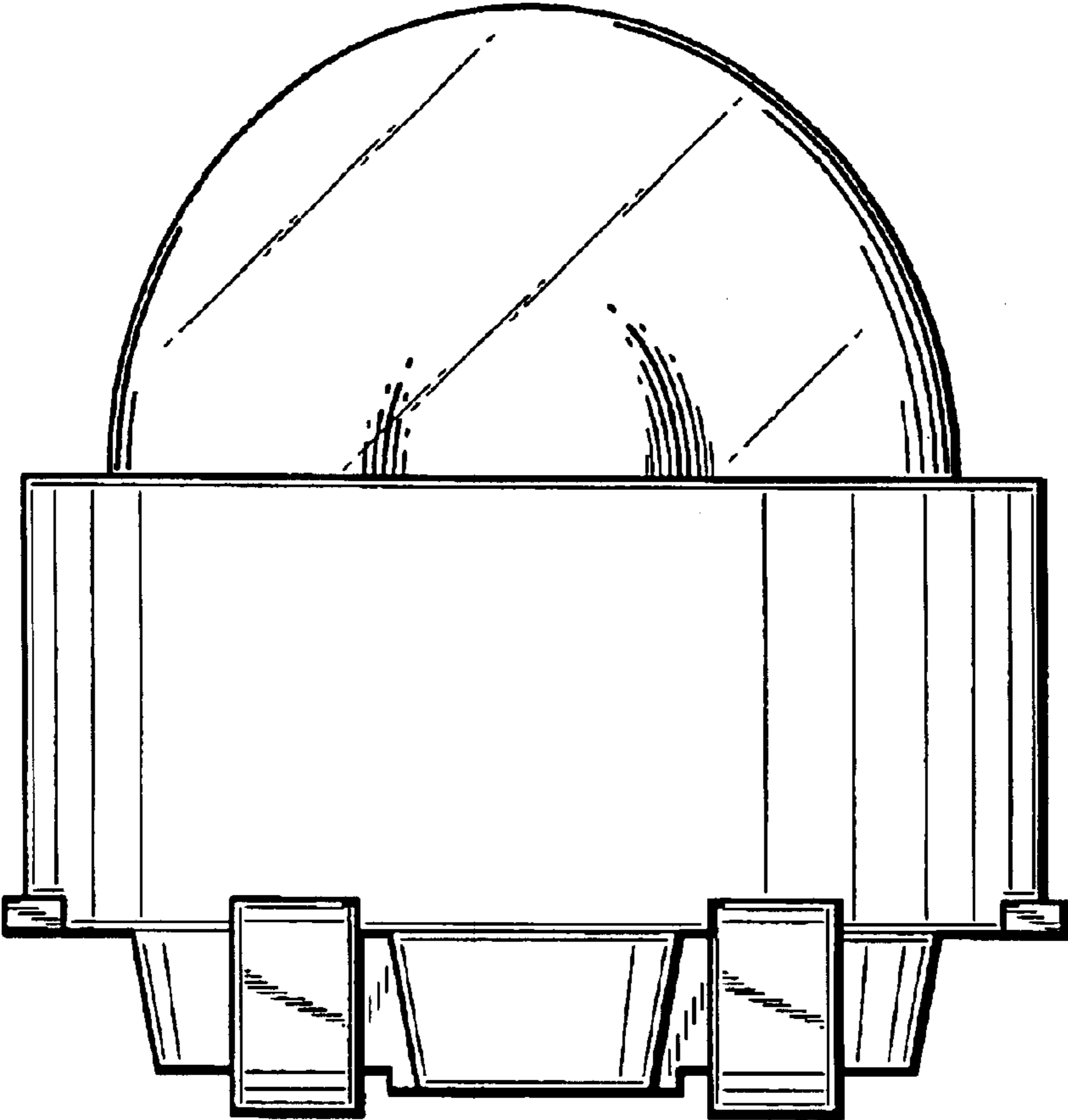


Fig. 18

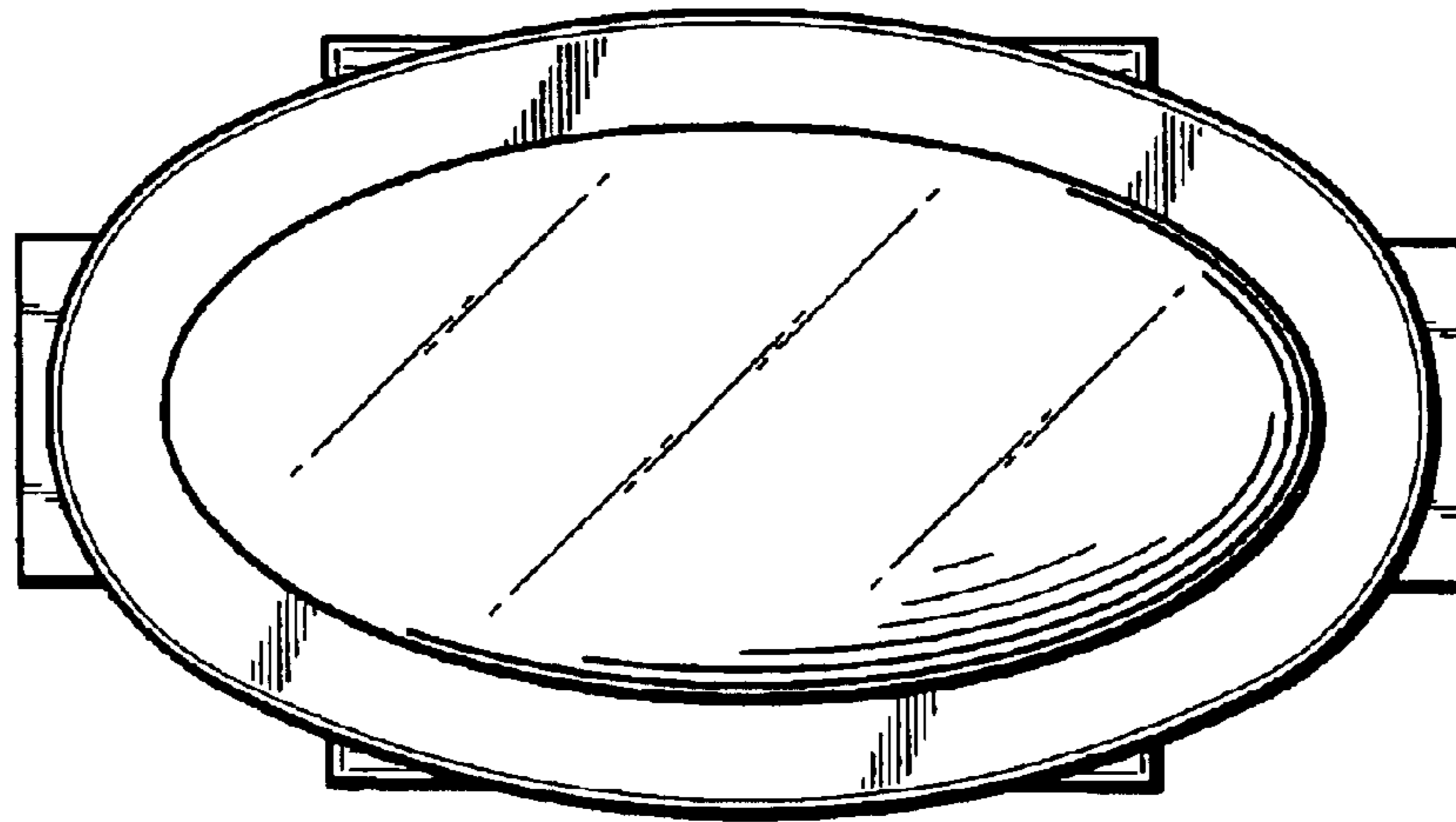


Fig. 19

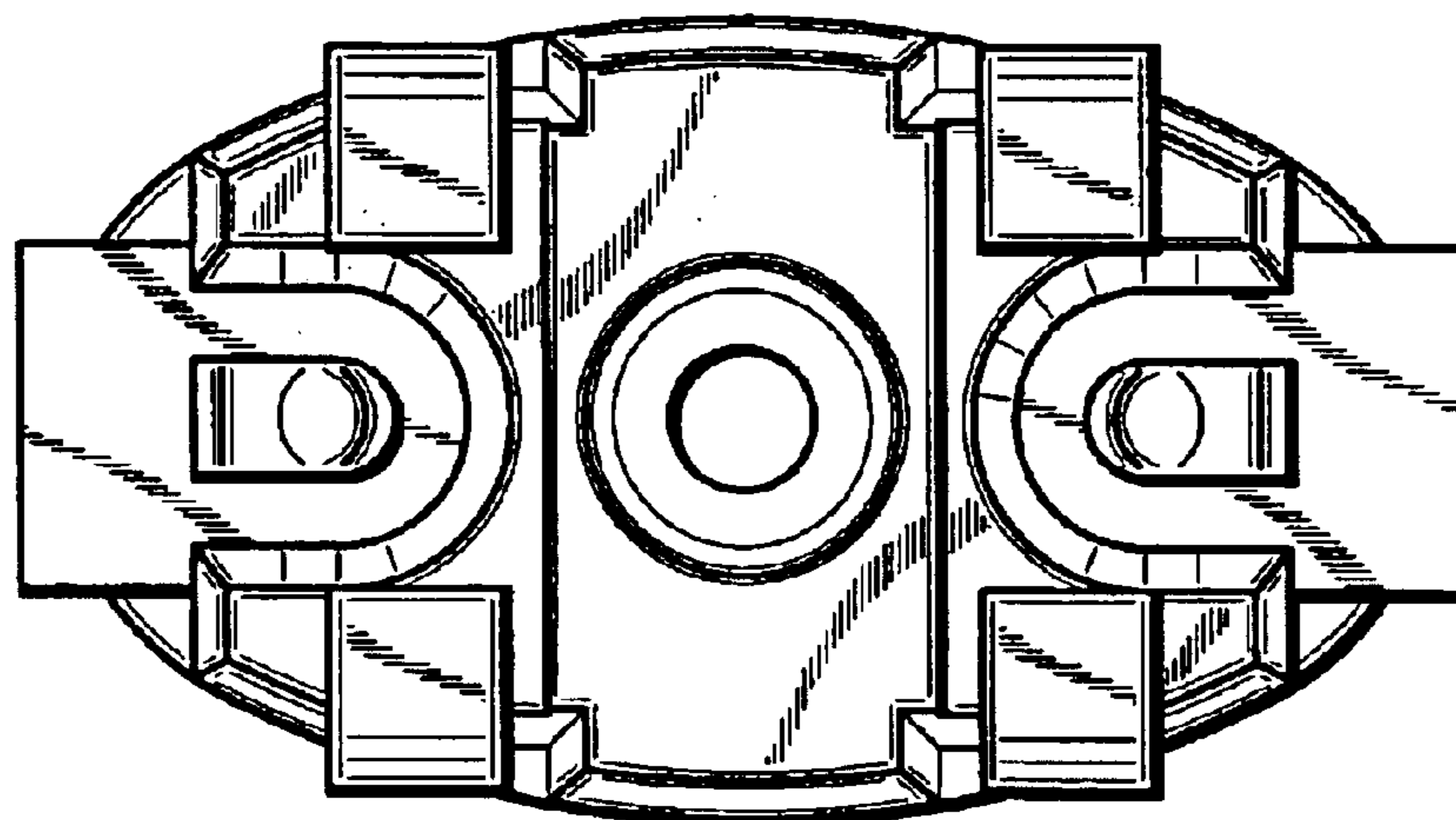


Fig. 20

