

US00D491896S1

(12) **United States Design Patent**
Yang et al.

(10) **Patent No.: US D491,896 S**
(45) **Date of Patent: ** Jun. 22, 2004**

(54) **CABLE CONNECTOR ASSEMBLY**

(75) Inventors: **Shu-Chen Yang**, Tu-Chen (TW);
Yung-Chien Chung, Tu-Chen (TW);
Hsien-Chu Lin, Tu-Chen (TW);
Chih-Kai Huang, Tu-chen (TW)

(73) Assignee: **Hon Hai Precision Inc. Co., Ltd.**,
Taipei Hsien (TW)

(**) Term: **14 Years**

(21) Appl. No.: **29/186,645**

(22) Filed: **Jul. 17, 2003**

(30) **Foreign Application Priority Data**

May 23, 2003 (CN) 092303247

(51) **LOC (7) Cl.** **13-03**

(52) **U.S. Cl.** **D13/147**

(58) **Field of Search** D13/146, 147,
D13/154; 439/352, 353, 357, 358, 394,
582, 694, 844, 854, 855, 902

(56) **References Cited**

U.S. PATENT DOCUMENTS

4,632,486 A * 12/1986 Hasircoglu 439/394

6,068,502 A * 5/2000 Kuo 439/353
D449,820 S * 10/2001 Lee D13/147
D457,139 S * 5/2002 Chen D13/147
D479,200 S * 9/2003 Liu et al. D13/147
D479,508 S * 9/2003 Wang et al. D13/147

* cited by examiner

Primary Examiner—Ted Shooman

Assistant Examiner—Selina Sikder

(74) *Attorney, Agent, or Firm*—Wei Te Chung

(57) **CLAIM**

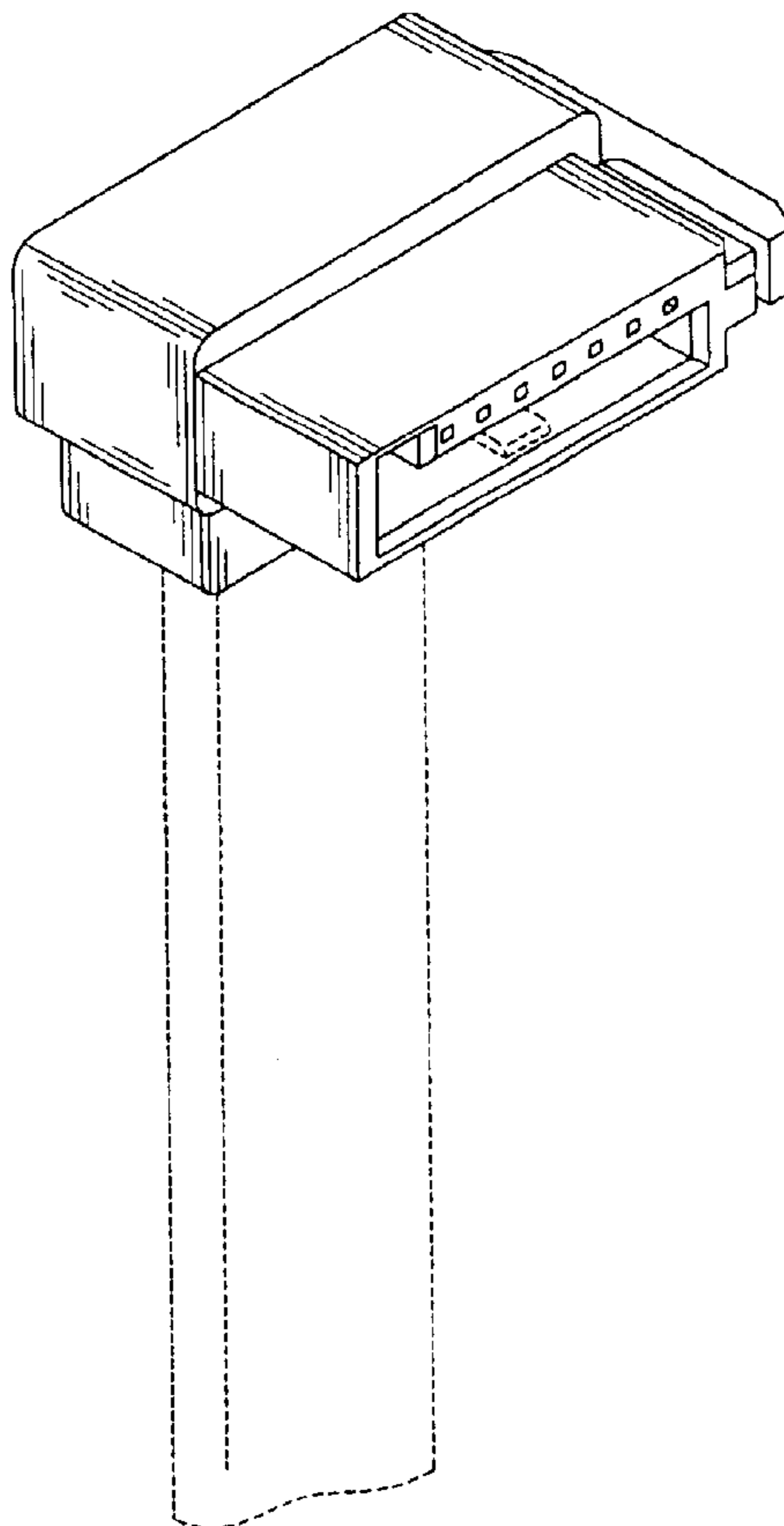
The ornamental design for a cable connector assembly, as shown and described.

DESCRIPTION

FIG. 1 is a front, top and left side perspective view of a cable connector assembly showing our new design; FIG. 2 is a front elevational view of FIG. 1; FIG. 3 is a rear elevational view of FIG. 1; FIG. 4 is a left side elevational view of FIG. 1; FIG. 5 is a right side elevational view of FIG. 1; FIG. 6 is a top plan view of FIG. 1; and, FIG. 7 is a bottom plan view of FIG. 1.

The broken line showing of the environment is for illustrative purpose only and forms no part of the claimed design.

1 Claim, 6 Drawing Sheets



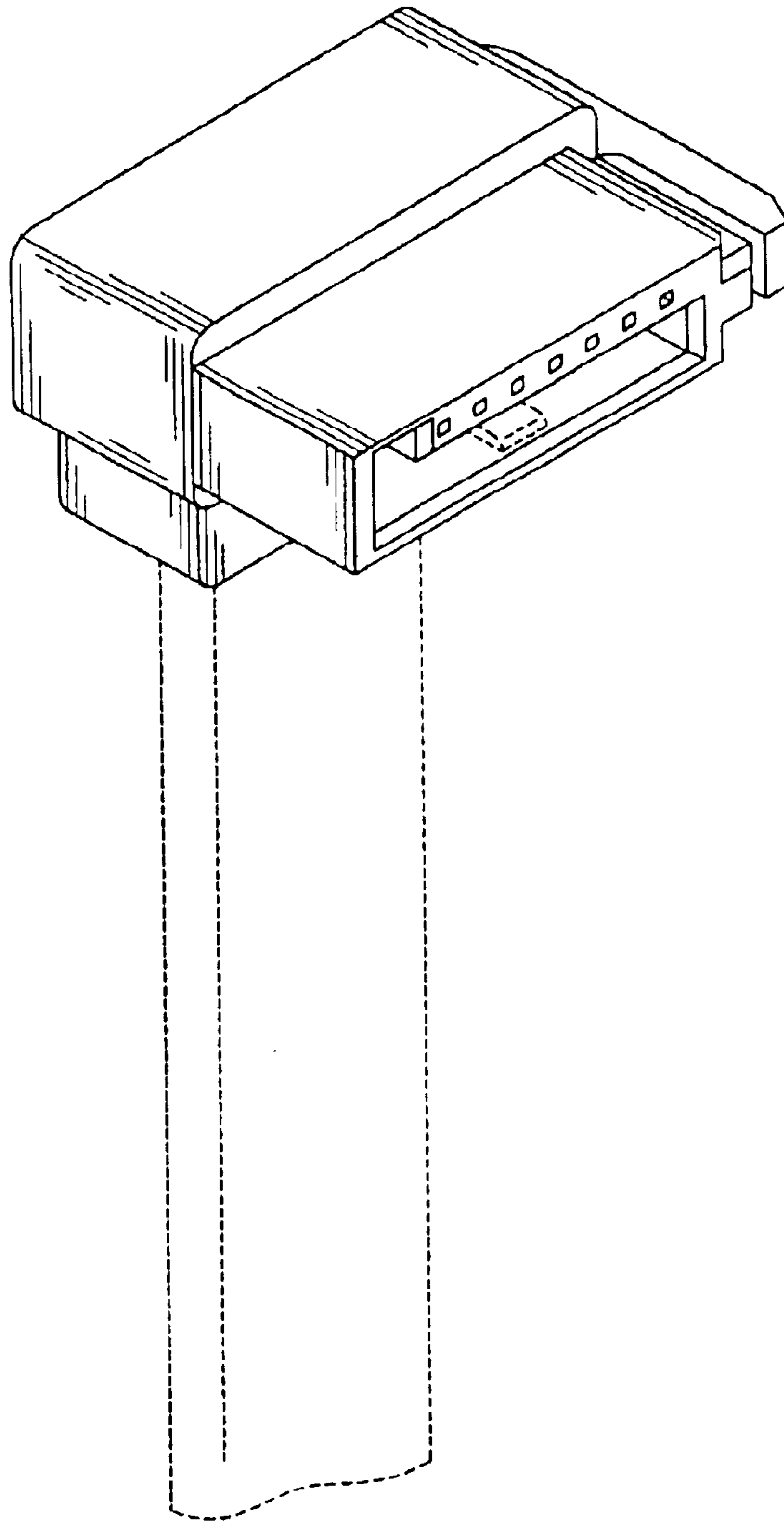


FIG. 1

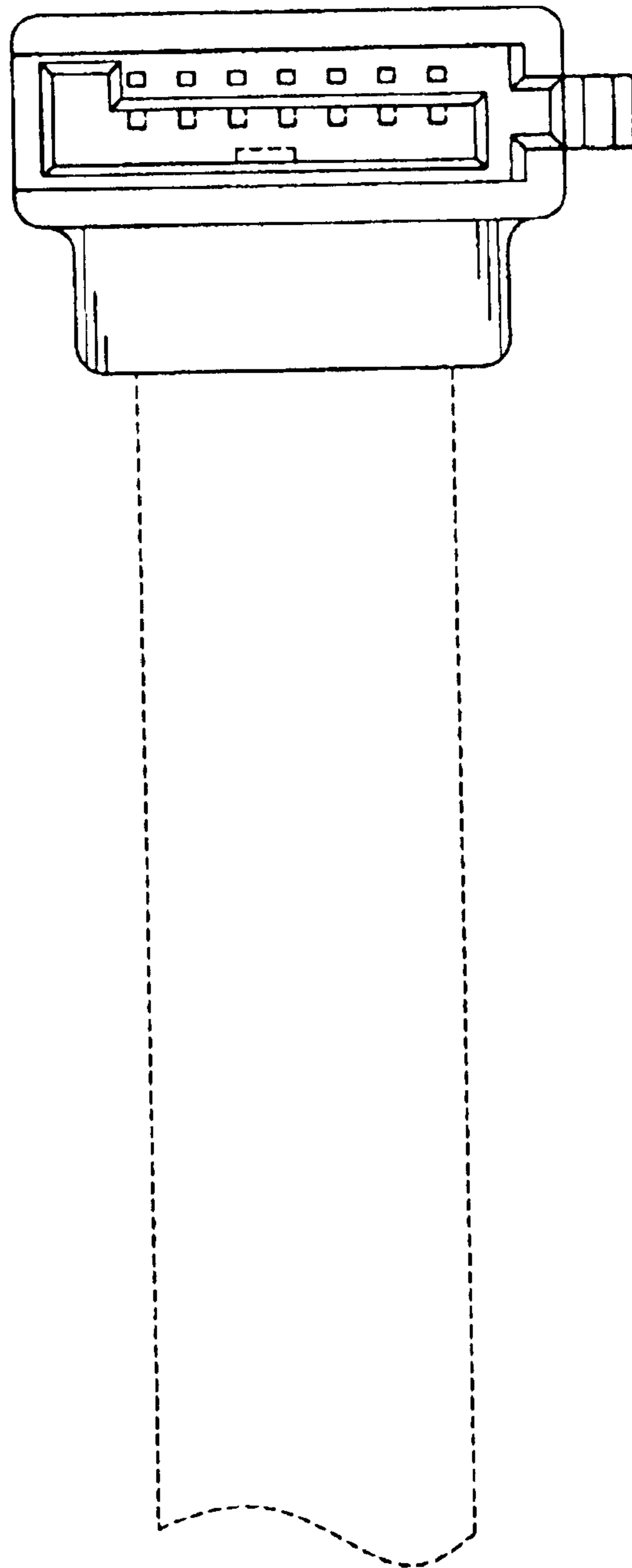


FIG. 2

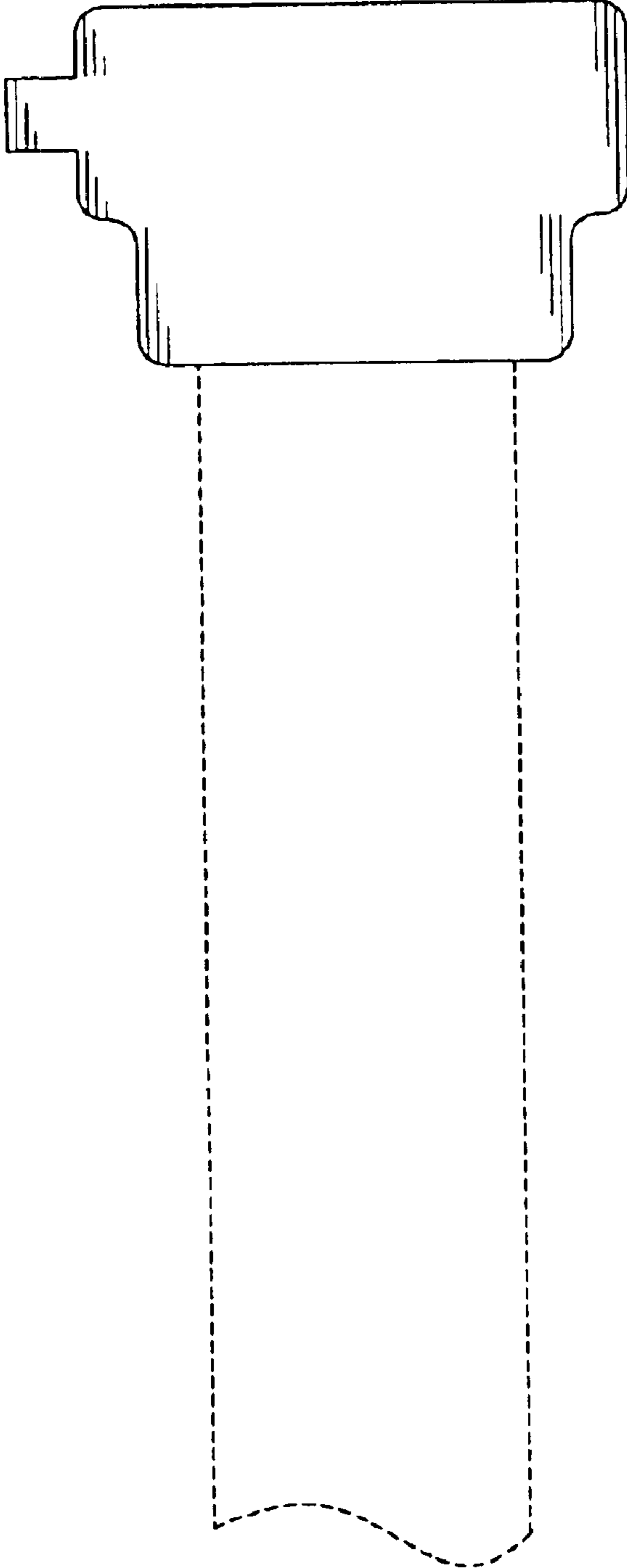


FIG. 3

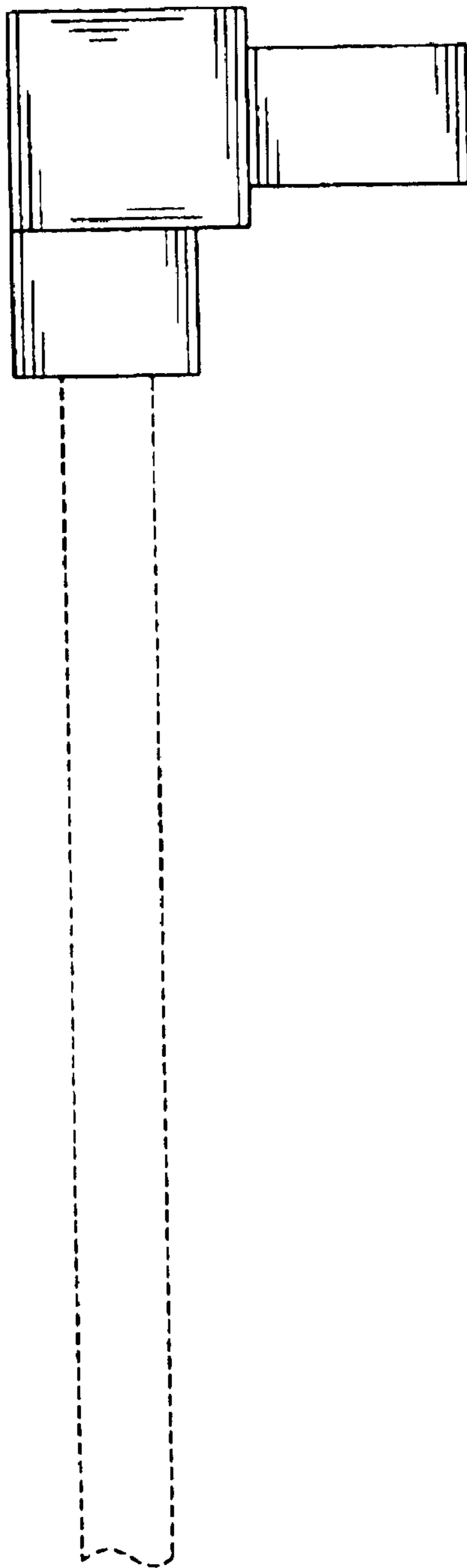


FIG. 4

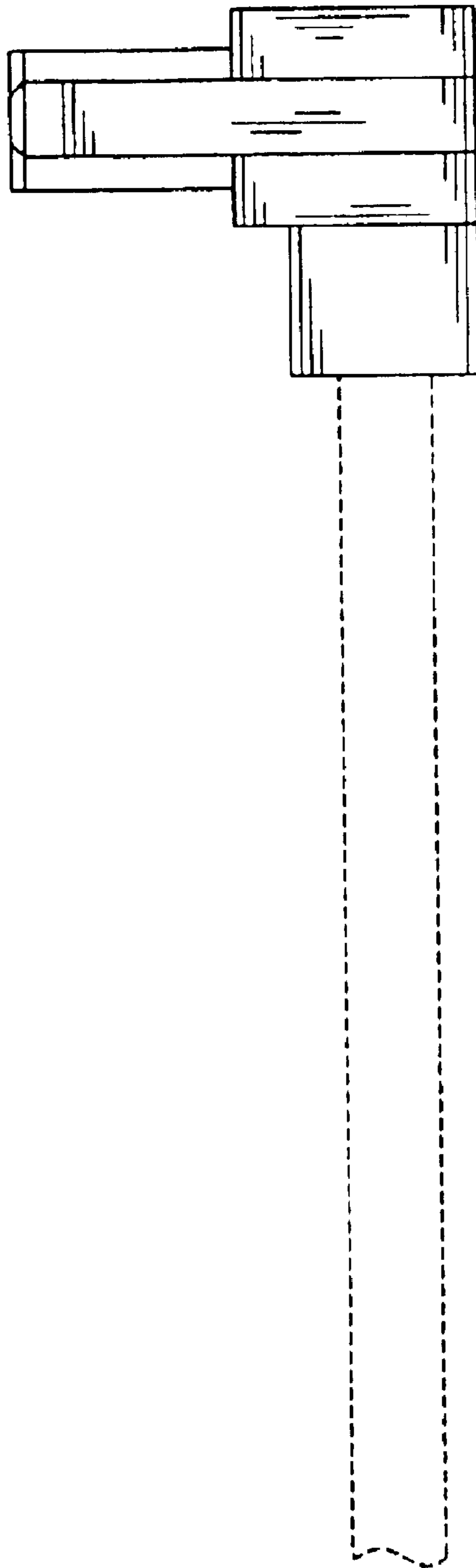


FIG. 5

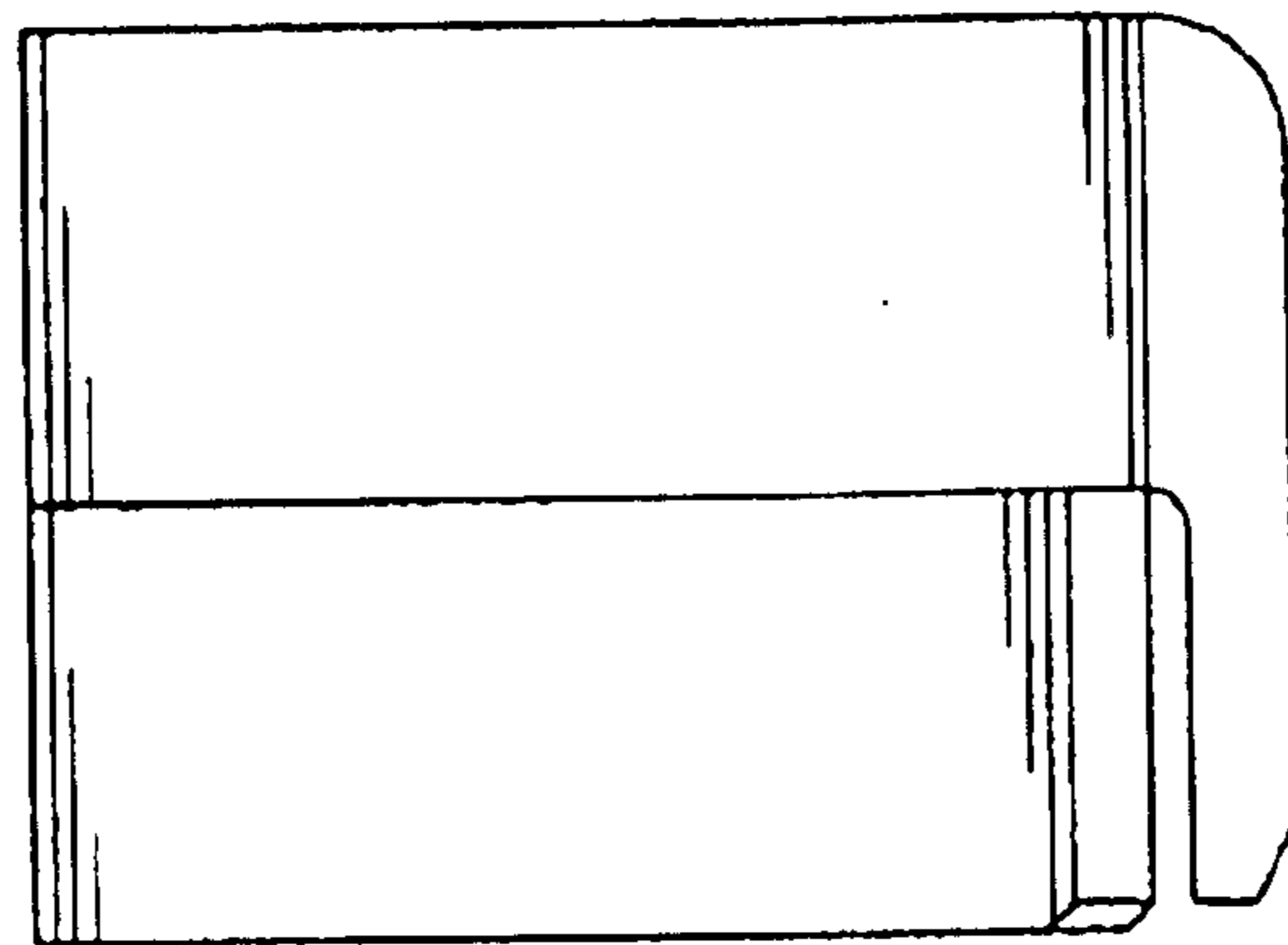


FIG. 6

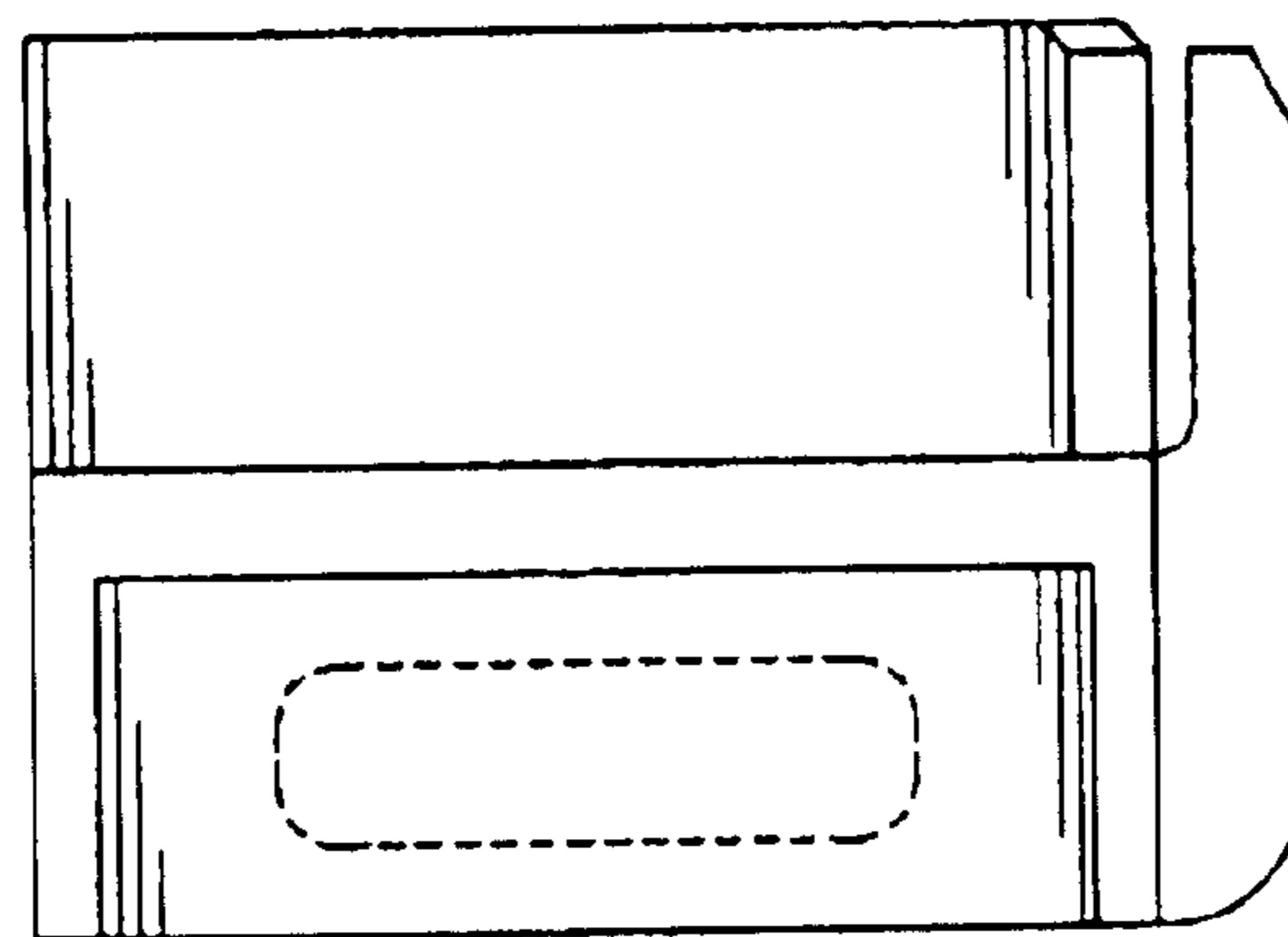


FIG. 7