

US00D491894S1

(12) **United States Design Patent**
Jiang

(10) **Patent No.:** **US D491,894 S**
(45) **Date of Patent:** **** Jun. 22, 2004**

(54) **CABLE CONNECTOR ASSEMBLY**

D478,548 S * 8/2003 Wu D13/133

(75) Inventor: **Hon Lin Jiang**, Kunsan (CN)

* cited by examiner

(73) Assignee: **Hon Hai Precision Ind. Co., Ltd.**,
Taipei Hsien (TW)

Primary Examiner—Philip S. Hyder

Assistant Examiner—Selina Sikder

(74) *Attorney, Agent, or Firm*—Wei Te Chung

(**) Term: **14 Years**

(57) **CLAIM**

(21) Appl. No.: **29/180,984**

The ornamental design for a cable connector assembly, as shown and described.

(22) Filed: **May 2, 2003**

DESCRIPTION

(51) **LOC (7) Cl.** **13-03**

(52) **U.S. Cl.** **D13/147**

(58) **Field of Search** D13/133, 146,
D13/147, 154; 439/358, 607–610, 660,
936

FIG. 1 is a front, top and right side perspective view of a

cable connector assembly showing my new design;

FIG. 2 is a front elevational view of FIG. 1;

FIG. 3 is a rear elevational view of FIG. 1;

FIG. 4 is a left side elevational view of FIG. 1;

FIG. 5 is a right side elevational view of FIG. 1;

FIG. 6 is a top plan view of FIG. 1; and,

FIG. 7 is a bottom plan view of FIG. 1.

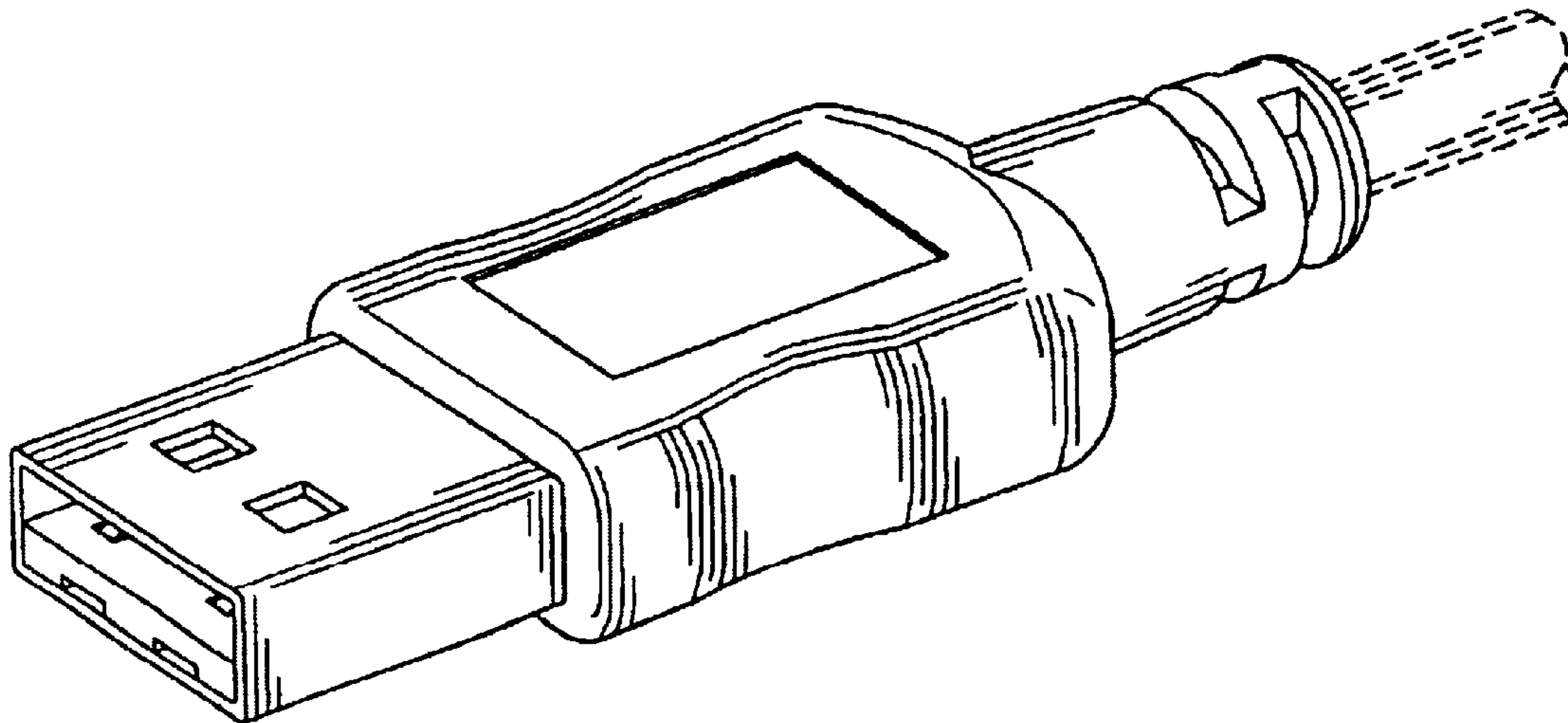
The broken line showing of the cable is for illustrative purpose only and forms no part of the claimed design.

(56) **References Cited**

U.S. PATENT DOCUMENTS

5,518,421 A	*	5/1996	Davis	439/607
5,658,170 A	*	8/1997	Tan et al.	439/610
5,788,537 A	*	8/1998	Davis et al.	439/607
6,036,544 A	*	3/2000	Brunker et al.	439/607
D449,820 S	*	10/2001	Lee	D13/147

1 Claim, 6 Drawing Sheets



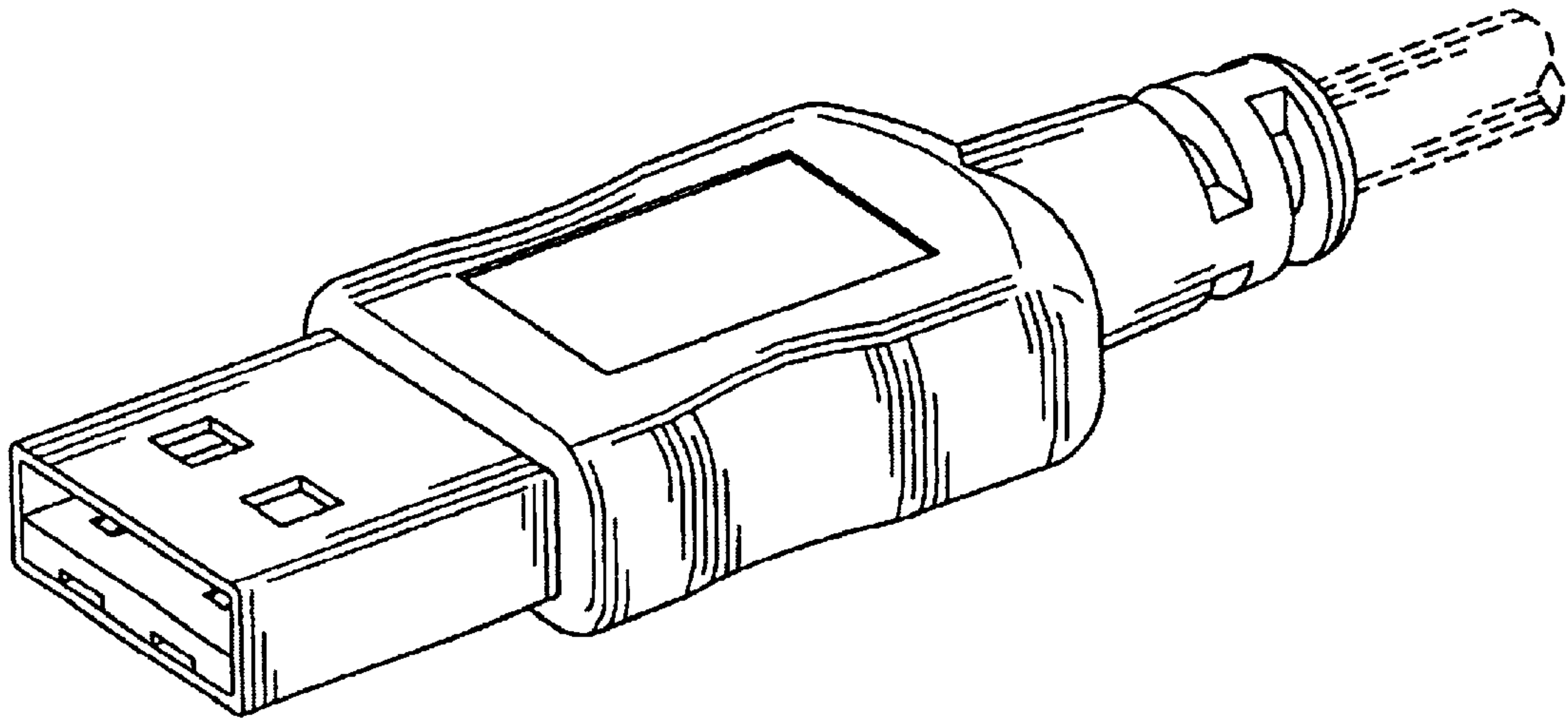


FIG. 1

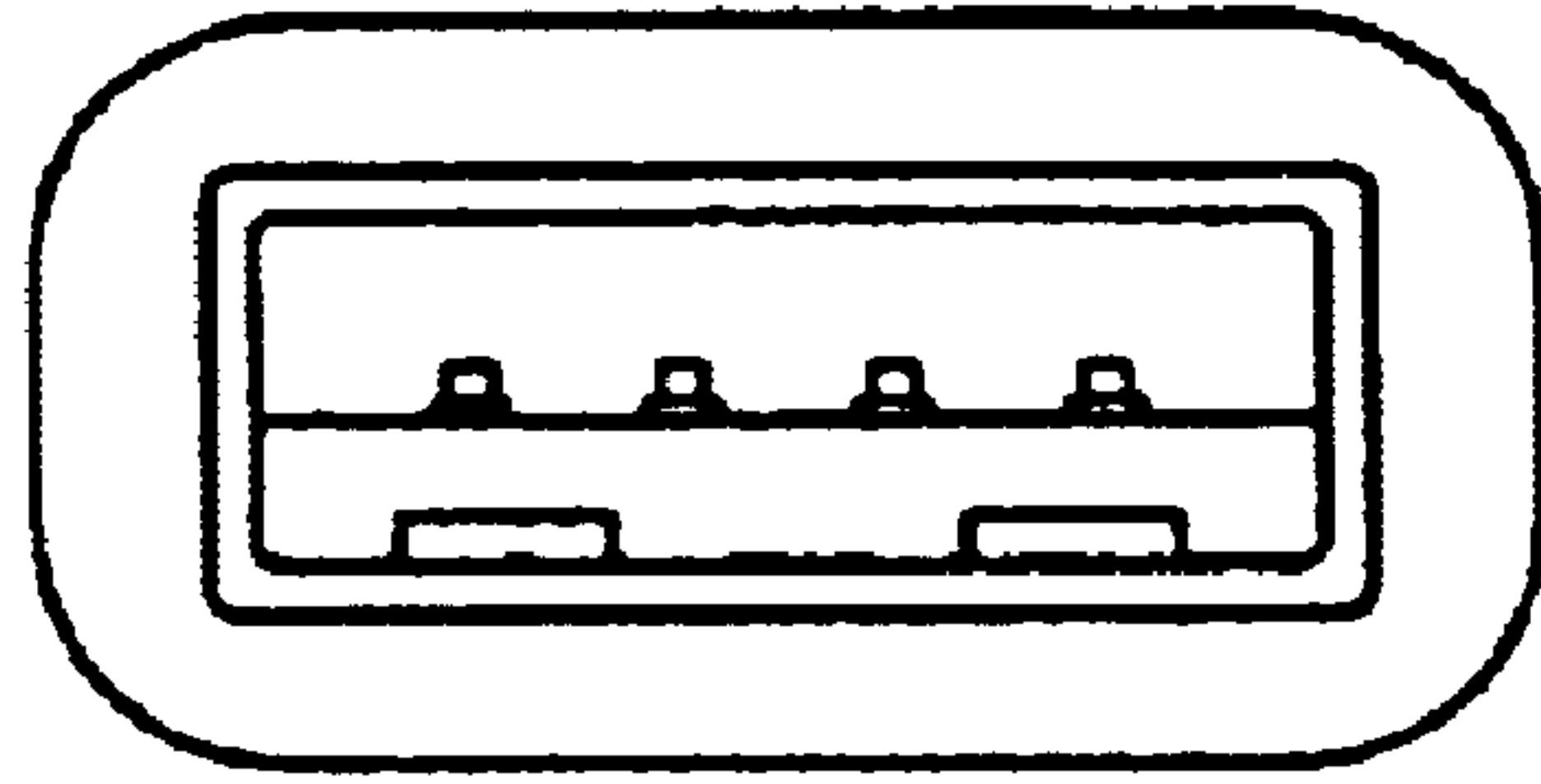


FIG. 2

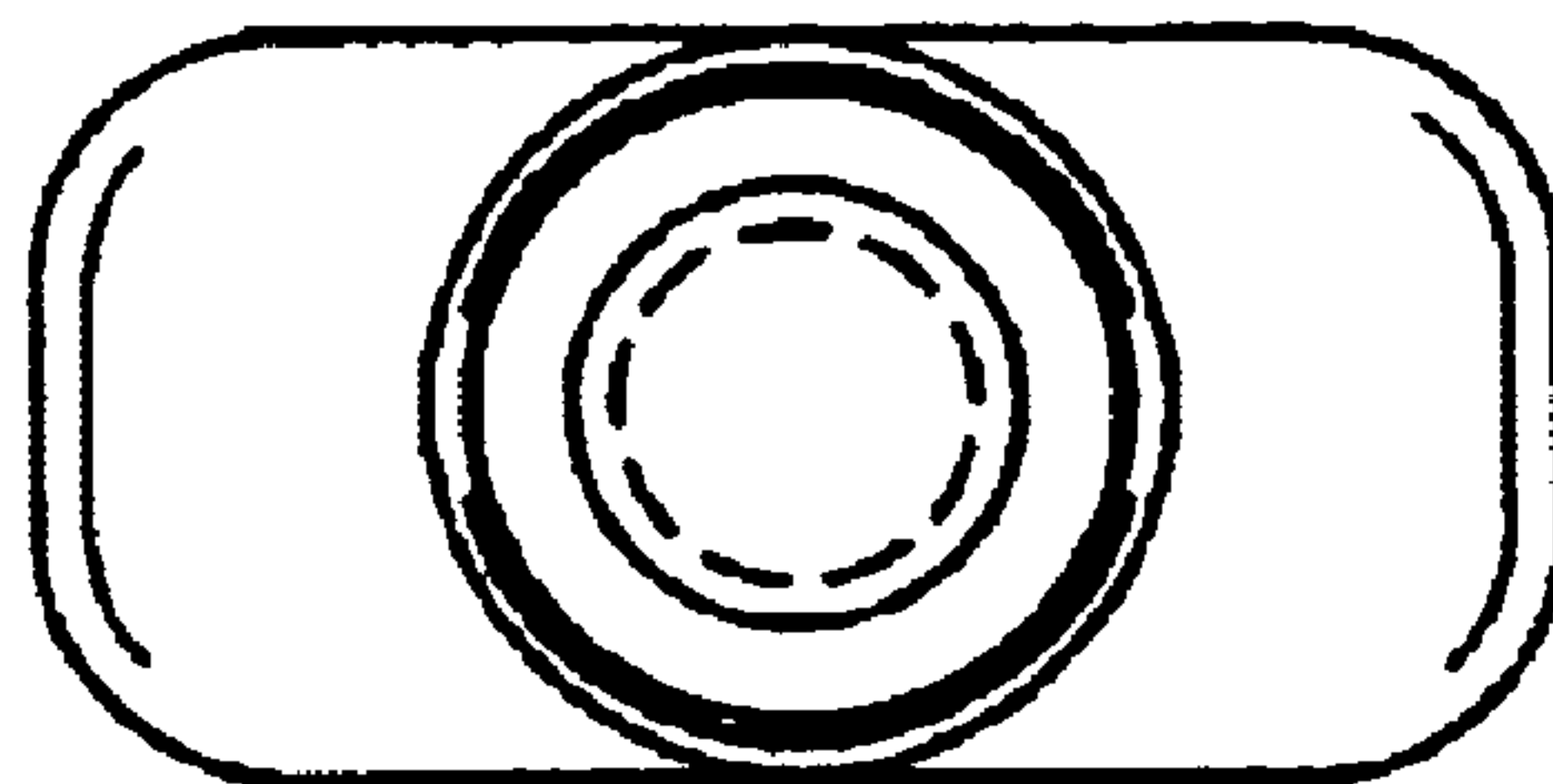


FIG. 3

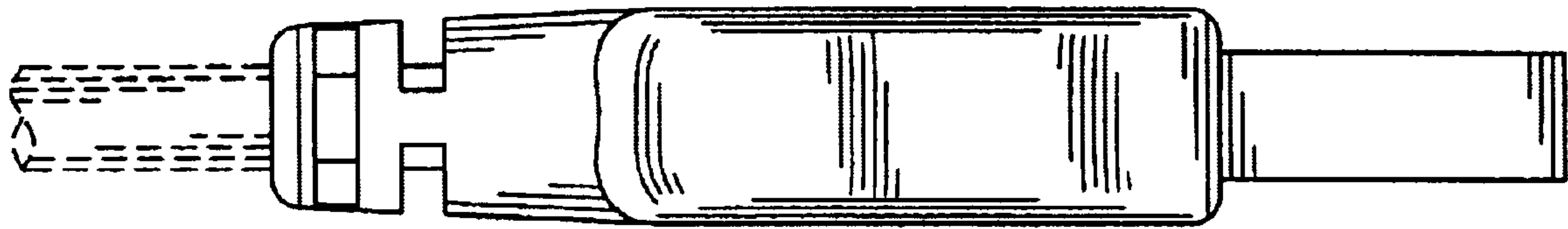


FIG. 4

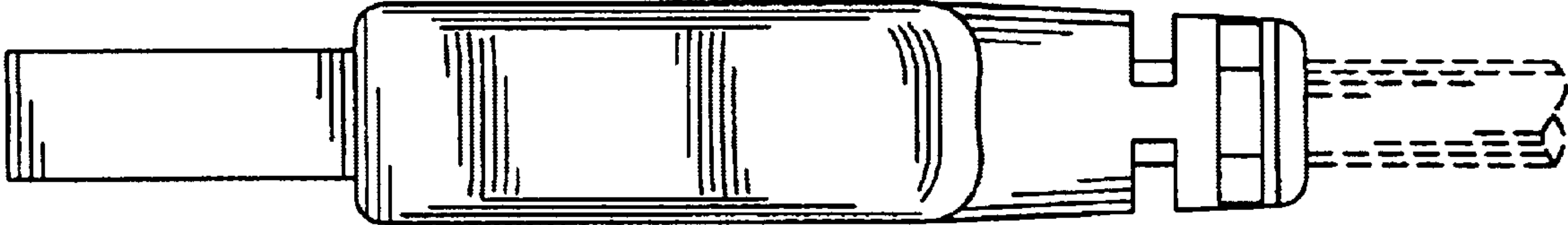


FIG. 5

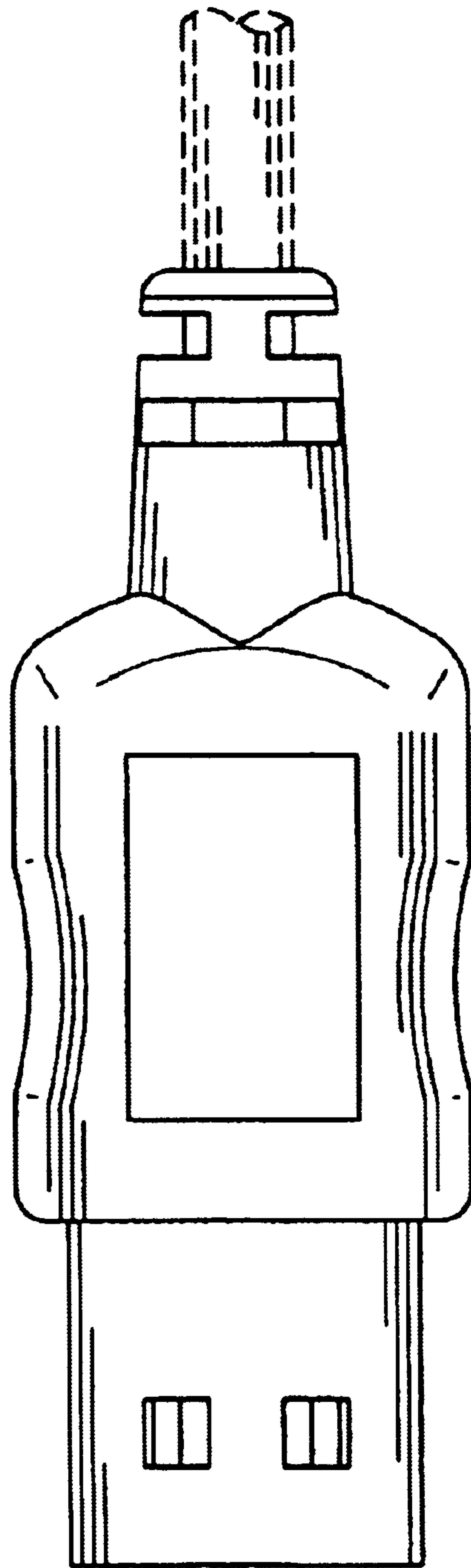


FIG. 6

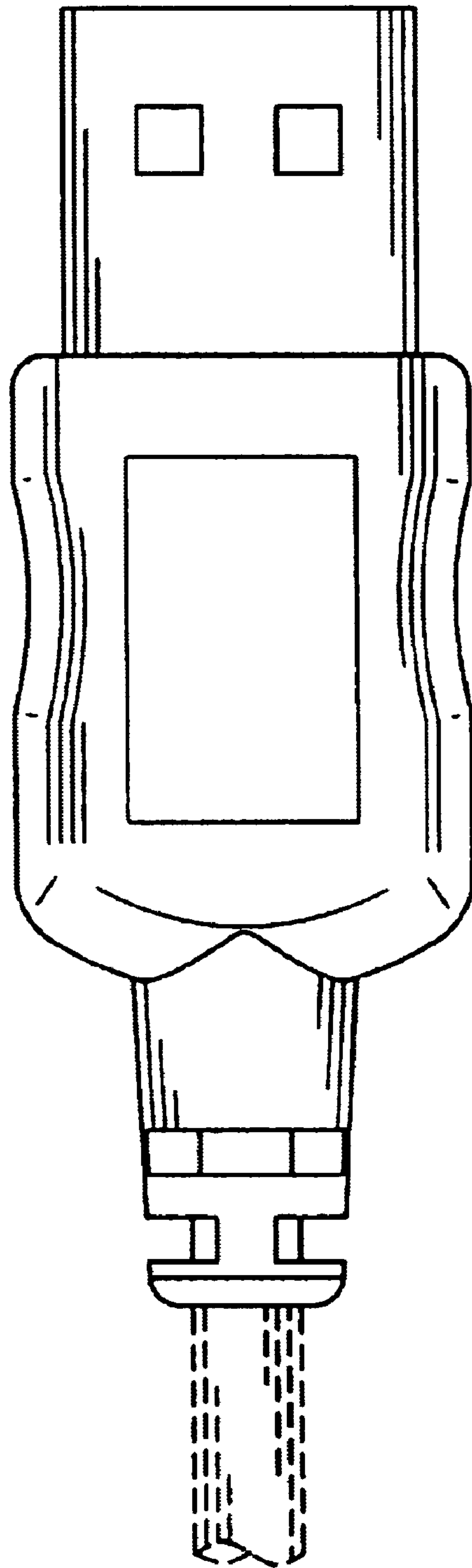


FIG. 7