

US00D491891S1

(12) **United States Design Patent**
Conway et al.

(10) **Patent No.:** **US D491,891 S**
(45) **Date of Patent:** **** Jun. 22, 2004**

(54) **SOCKET CONNECTOR**
(75) Inventors: **Christopher J. Conway**, Wilmot, NH
(US); **Darrin H. MacKenzie**, Windsor,
VT (US)
(73) Assignee: **Thermal Dynamics Corporation**, West
Lebanon, NH (US)
(**) Term: **14 Years**
(21) Appl. No.: **29/166,888**
(22) Filed: **Sep. 5, 2002**
(51) **LOC (7) Cl.** **13-03**
(52) **U.S. Cl.** **D13/146**
(58) **Field of Search** D13/133, 146,
D13/154; 439/314-322, 680, 752

4,483,579 A * 11/1984 Derr et al. 439/317
4,820,204 A * 4/1989 Batty 439/681
5,505,632 A * 4/1996 Hayashi et al. 439/318
D371,112 S * 6/1996 Anthony D13/146
5,993,266 A * 11/1999 Mayer et al. 439/680
D424,525 S * 5/2000 Katwala D13/154
2003/0040228 A1 * 2/2003 Finzer et al. 439/752

* cited by examiner

Primary Examiner—Joel Sincavage
(74) *Attorney, Agent, or Firm*—Harness, Dickey & Pierce,
P.L.C.

(57) **CLAIM**

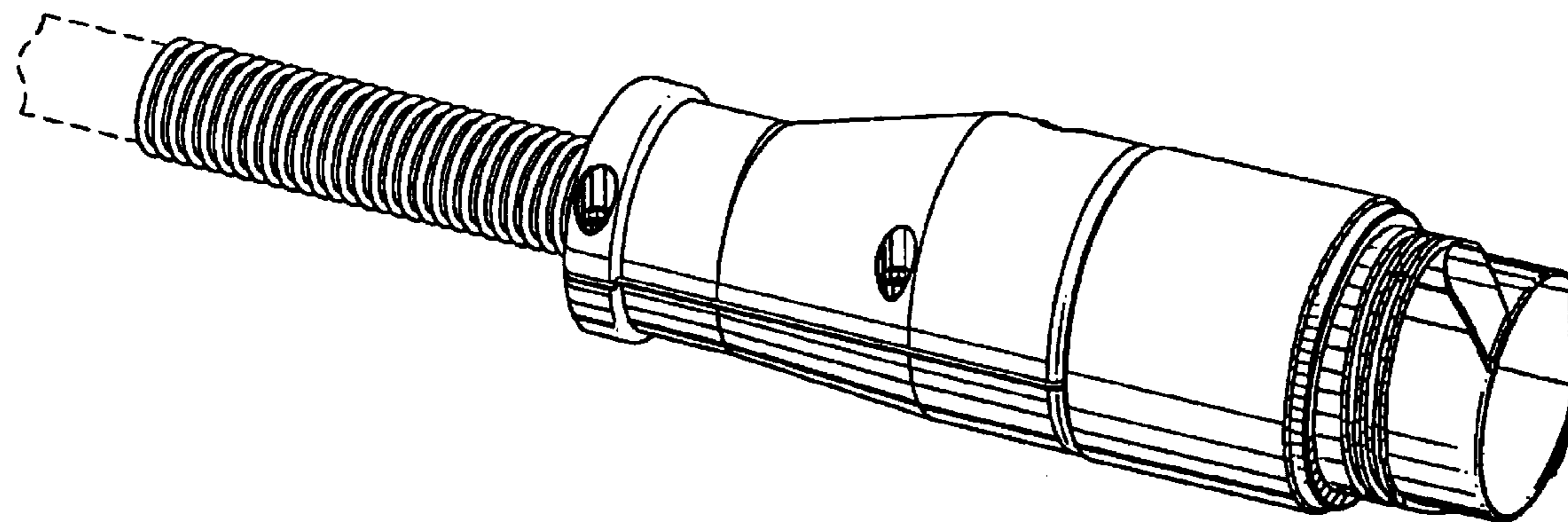
The ornamental design for a socket connector, as shown and described.

DESCRIPTION

FIG. 1 is a perspective view of the socket connector;
FIG. 2 is a side elevation view thereof; and,
FIG. 3 is a bottom plan view thereof.
The broken lines showing the lead are included for the
purpose of illustrating environmental structure only and
form no part of the claimed design.

1 Claim, 3 Drawing Sheets

(56) **References Cited**
U.S. PATENT DOCUMENTS
3,685,004 A * 8/1972 Kerr 439/314 X
4,090,759 A * 5/1978 Herrmann, Jr. 439/320 X
4,193,655 A * 3/1980 Herrmann, Jr. 439/680 X
4,255,007 A * 3/1981 Michaels et al. 439/332



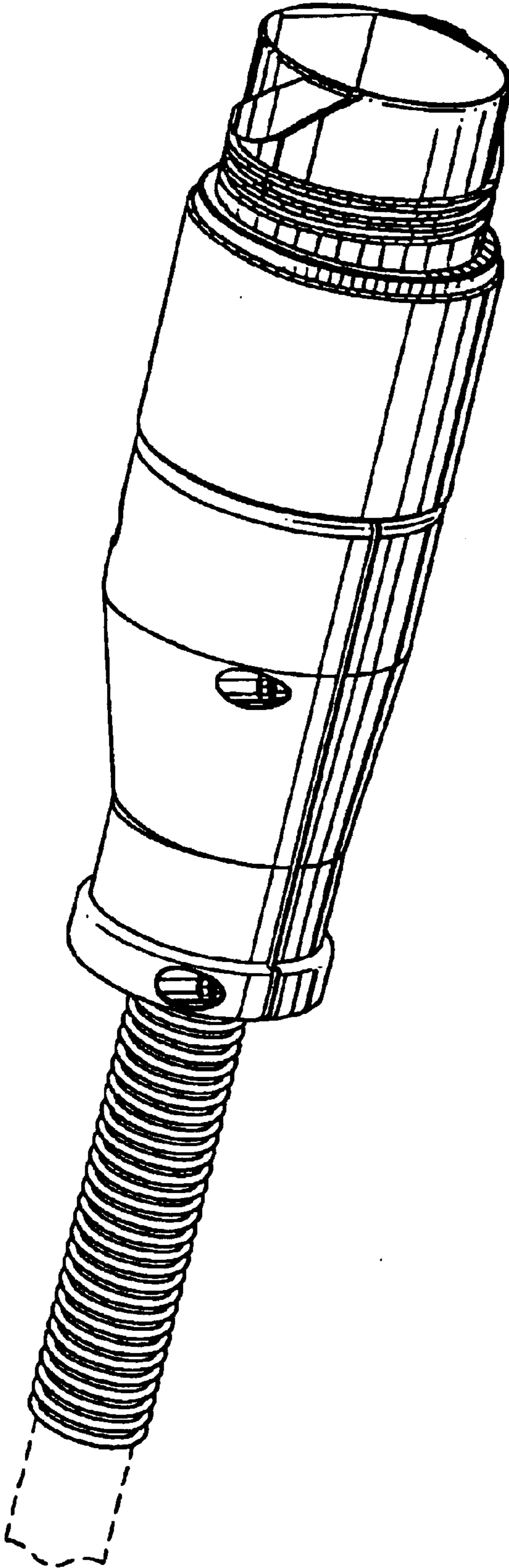


FIG. 1

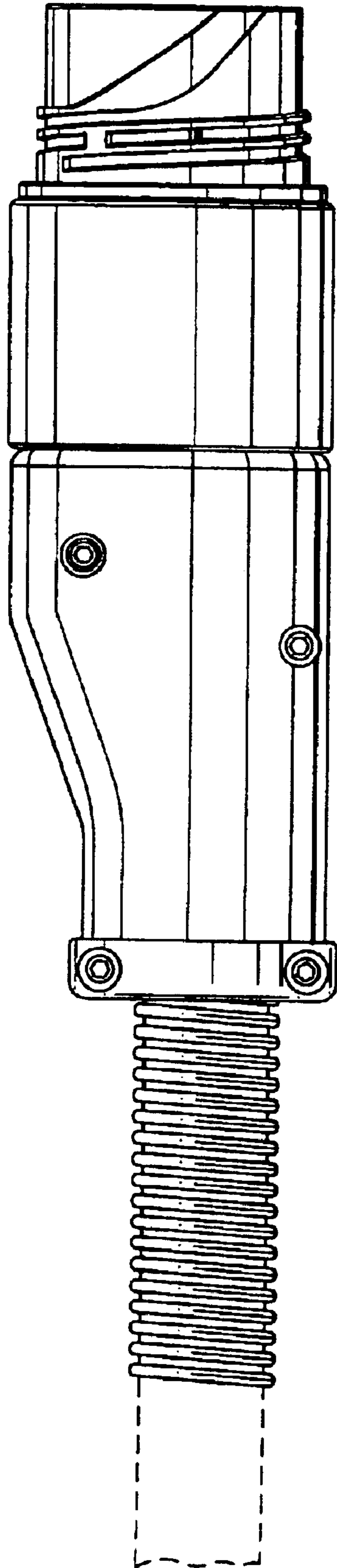


FIG. 2

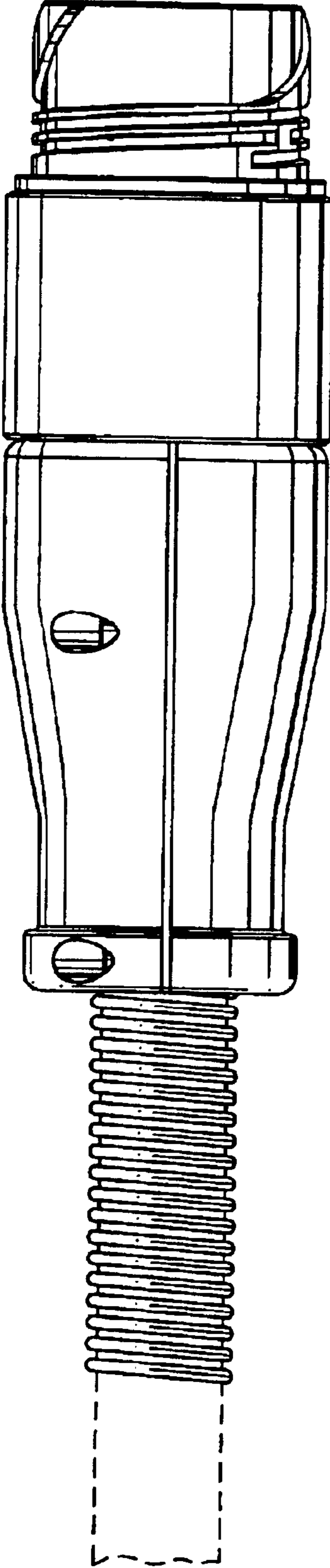


FIG. 3