

US00D491890S1

(12) **United States Design Patent**  
**Henrici et al.**

(10) **Patent No.:** **US D491,890 S**  
(45) **Date of Patent:** **\*\* Jun. 22, 2004**

(54) **ROTARY MOUNT LAMP SOCKET AND BASE**

6,431,895 B1 \* 8/2002 Hung ..... 439/241

(75) Inventors: **Dieter Henrici**, Arnsberg (DE);  
**Hartmut Greschner**, Arnsberg (DE)

Ningbo Yunhaun Electronics Group web sight off of internet, fluorescent lamp holders.\*

(73) Assignee: **BJB GmbH & Co. KG**, Arnsberg (DE)

\* cited by examiner

(\*\*) Term: **14 Years**

*Primary Examiner*—Philip S. Hyder

(74) *Attorney, Agent, or Firm*—Herbert Dubno

(21) Appl. No.: **29/171,080**

(57) **CLAIM**

(22) Filed: **Nov. 15, 2002**

The ornamental design for a rotary mount lamp socket and base, as shown and described.

(51) **LOC (7) Cl.** ..... **13-03**

(52) **U.S. Cl.** ..... **D13/134**

(58) **Field of Search** ..... D13/134, 135,  
D13/136; 439/232, 236, 239, 242, 217,  
241; 362/226, 306

**DESCRIPTION**

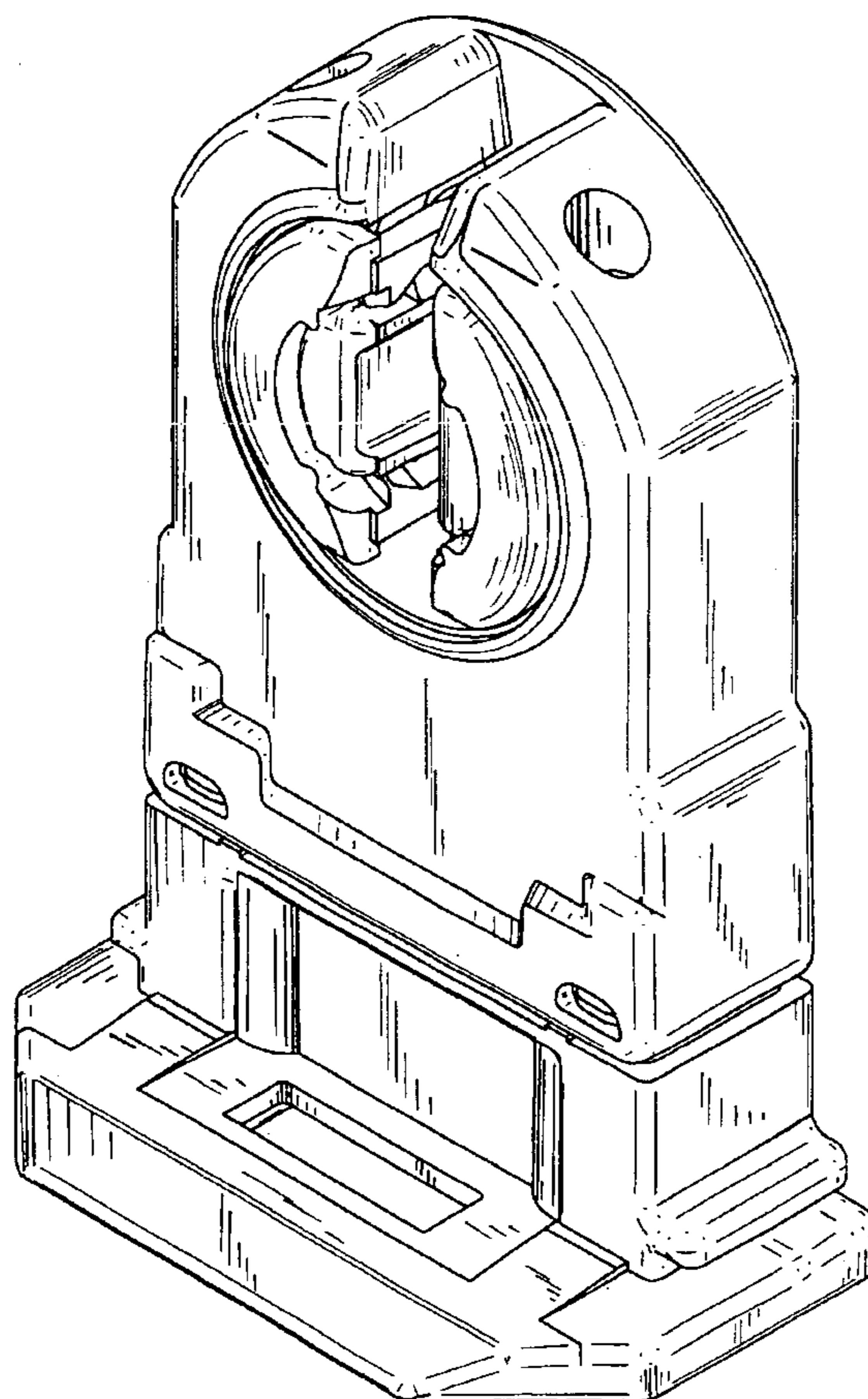
FIG. 1 is front top right side perspective view of a rotary mount lamp socket and base showing our new design; FIG. 2 is a front elevational view thereof; FIG. 3 is a top plan view thereof, the bottom being generally unornamented; FIG. 4 is a rear elevational view thereof; FIG. 5 is a right side elevational view thereof; and, FIG. 6 is a left side elevational view thereof. The broken line portions of the bottom surface are for illustrative purposes only and form no part of the claimed design.

(56) **References Cited**

**U.S. PATENT DOCUMENTS**

4,198,109 A	*	4/1980	Ustin	.....	439/239
5,469,348 A	*	11/1995	Wong	.....	362/217
D388,395 S	*	12/1997	Henrici	.....	D13/134
D399,820 S	*	10/1998	Henrici	.....	D13/134
D406,814 S	*	3/1999	Henrici	.....	D13/134
D417,653 S	*	12/1999	Henrici	.....	D13/134
D420,326 S	*	2/2000	Henrici	.....	D13/134

**1 Claim, 4 Drawing Sheets**



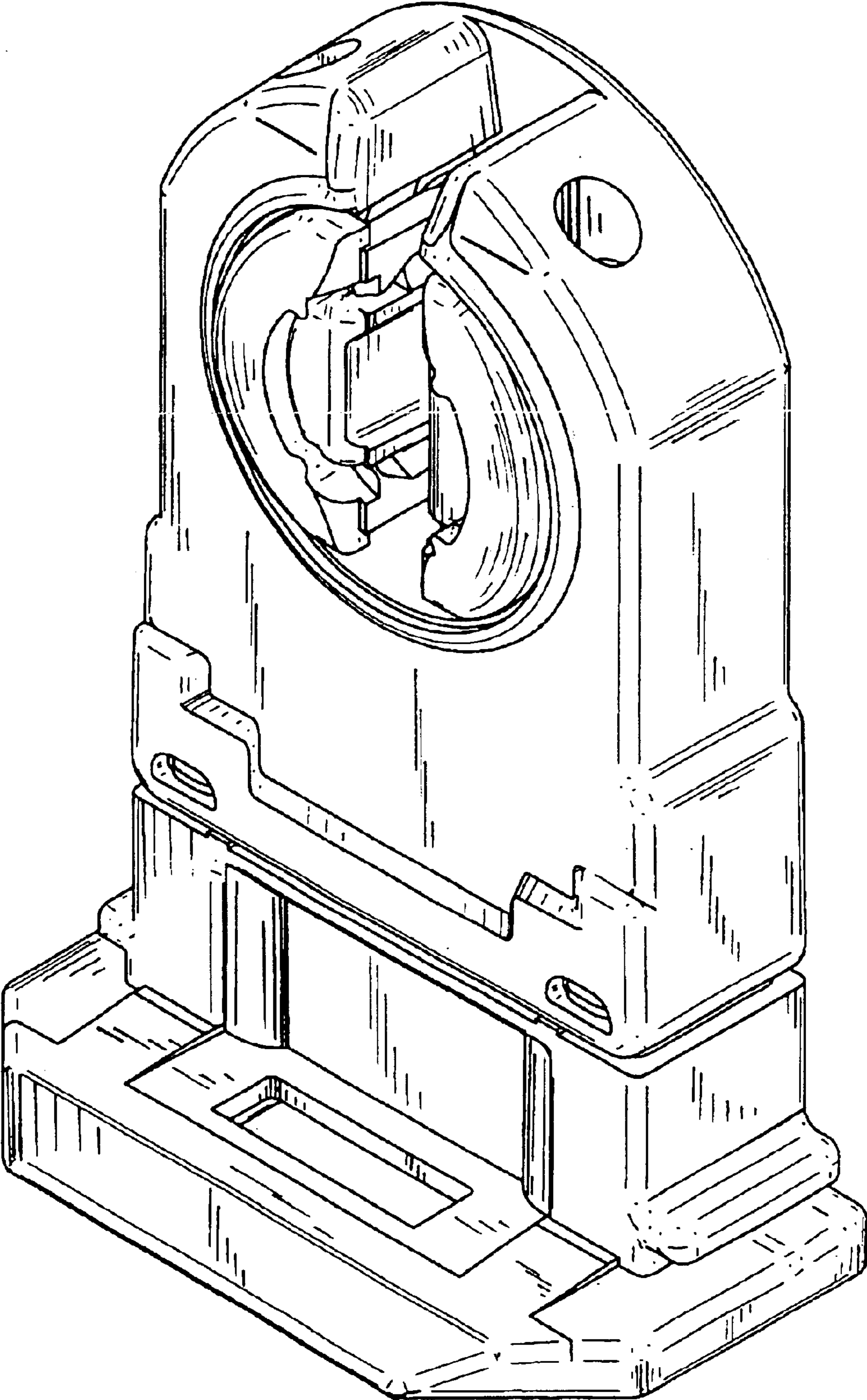


FIG. 1

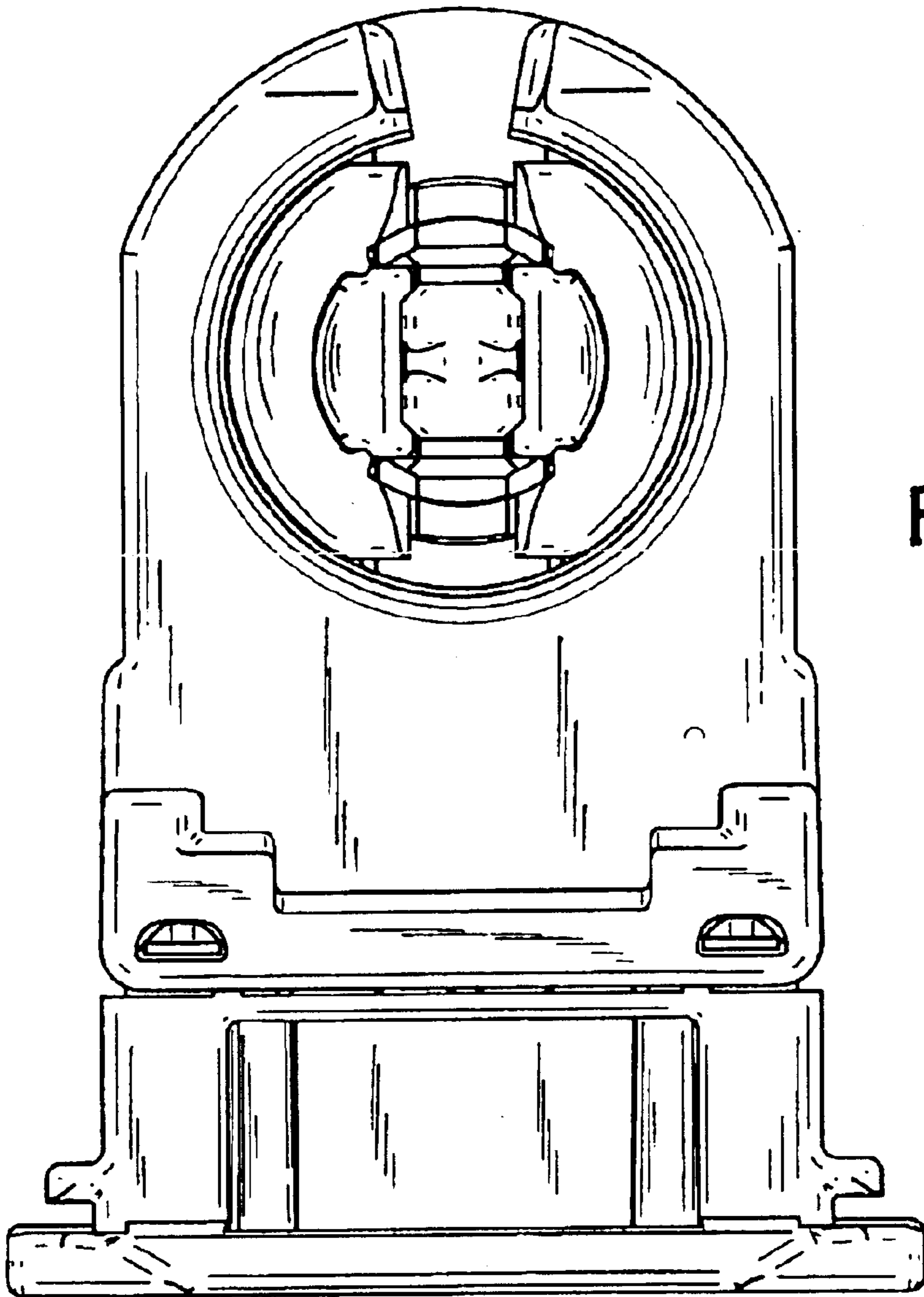


FIG. 2

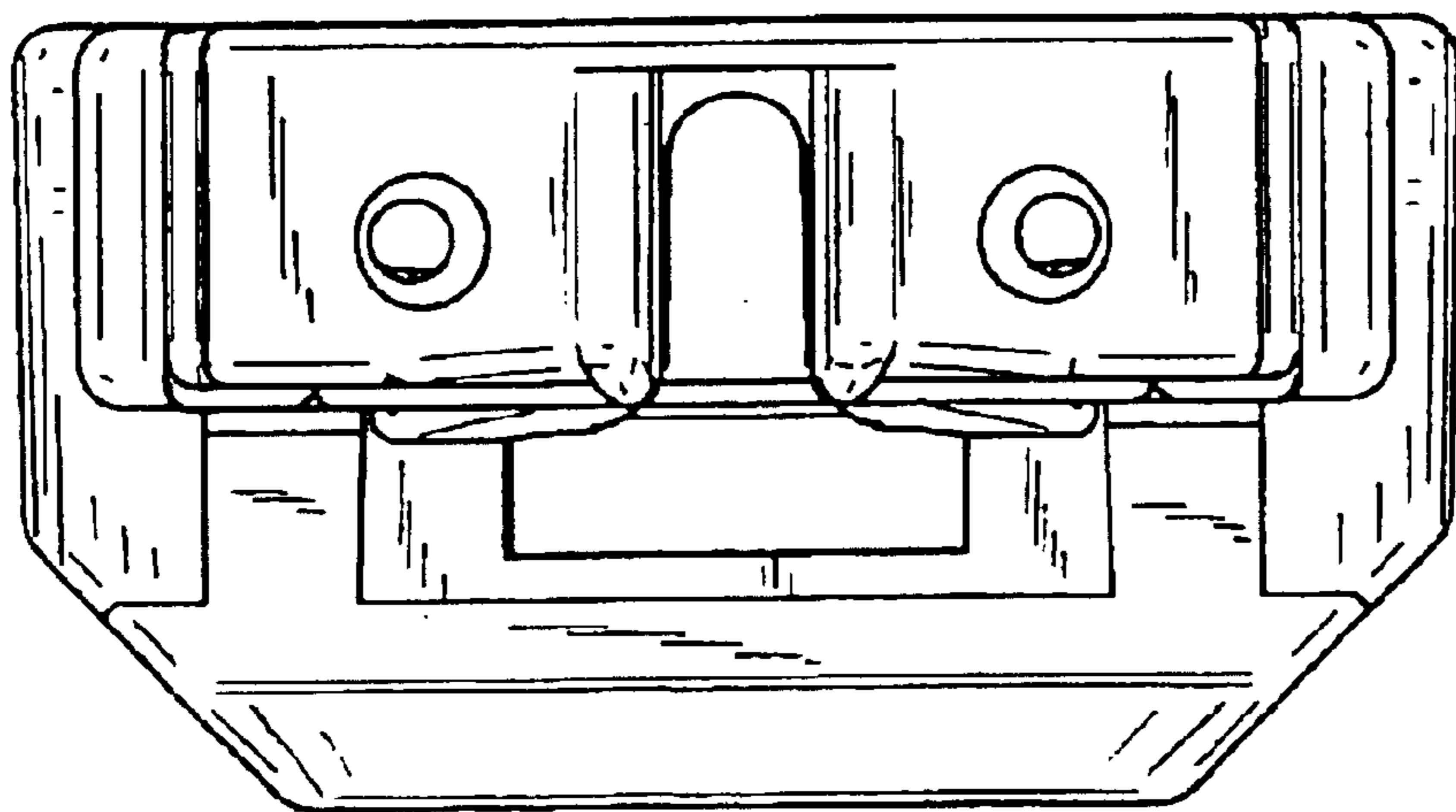


FIG. 3

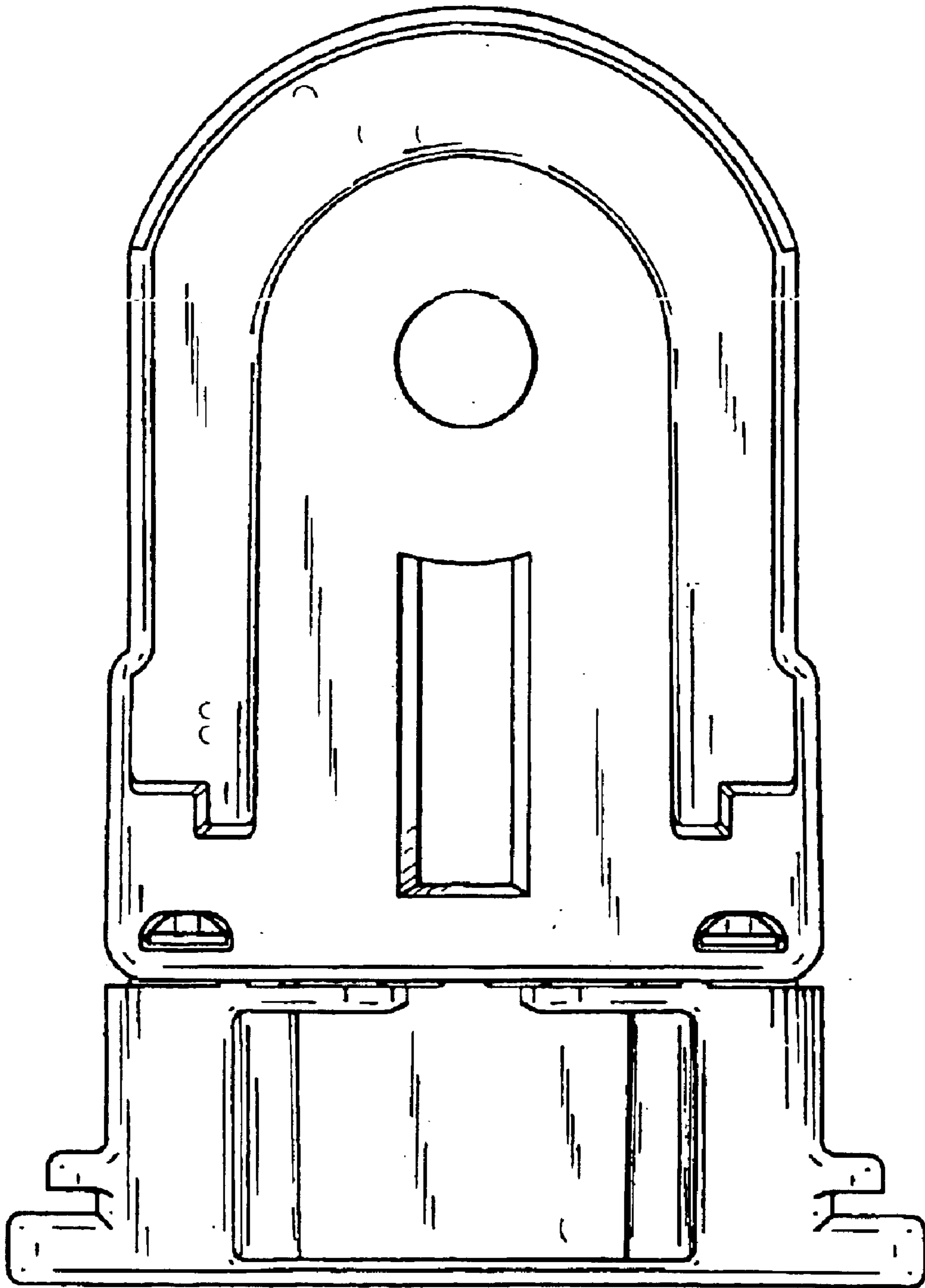


FIG.4

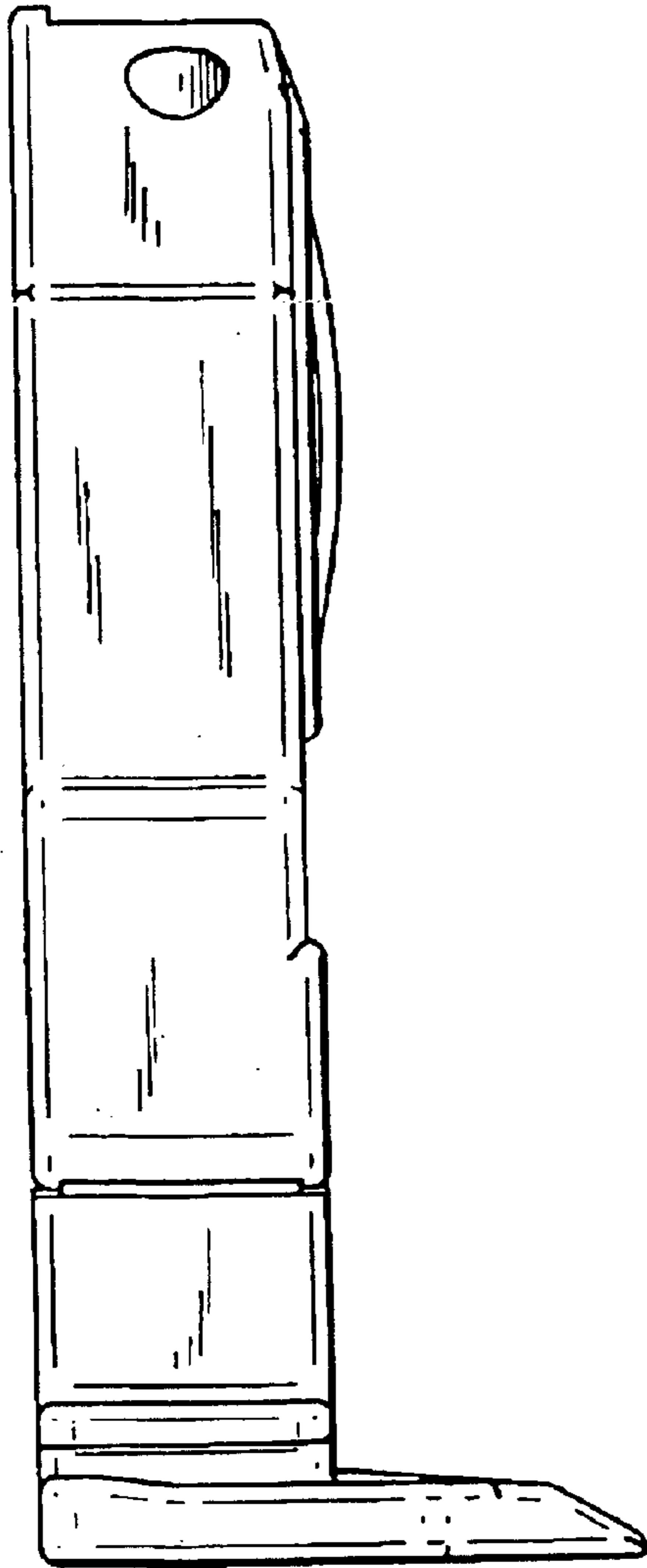


FIG. 6

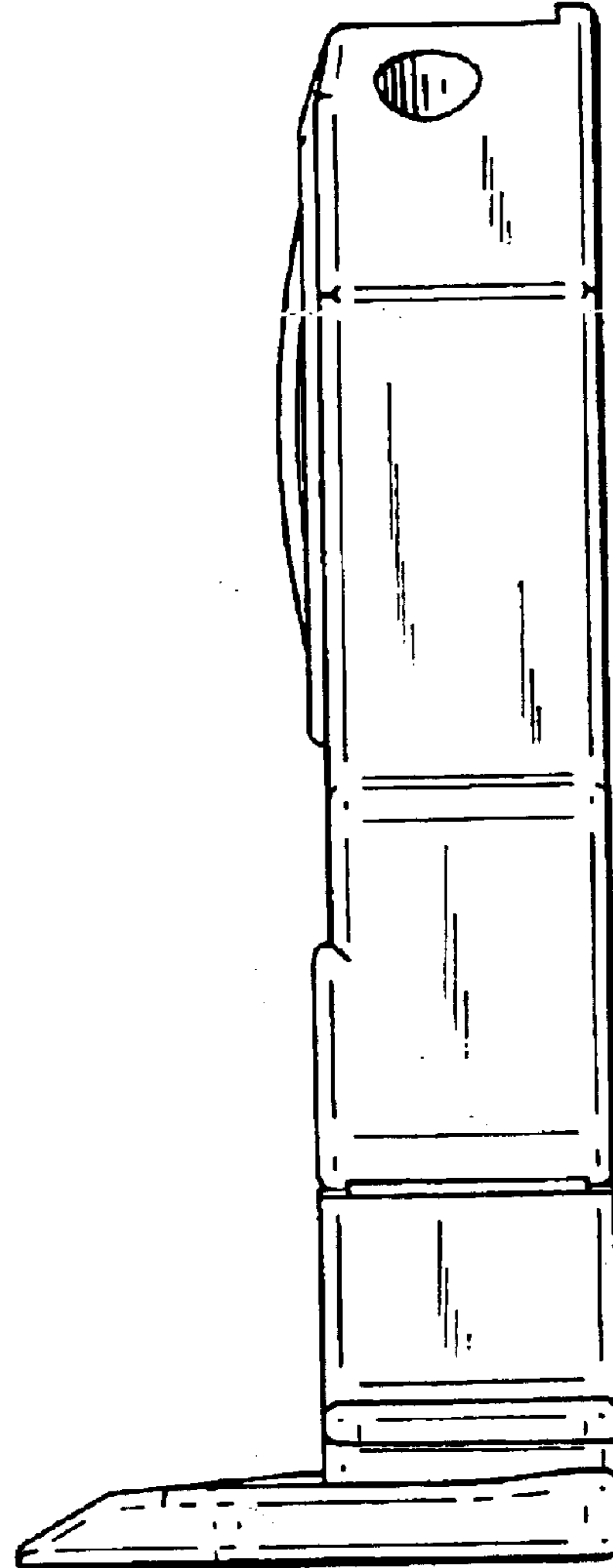


FIG. 5