

US00D491887S1

(12) **United States Design Patent**
Lassan et al.

(10) **Patent No.: US D491,887 S**
(45) **Date of Patent: ** Jun. 22, 2004**

(54) **TIRE TREAD**

D446,481 S 8/2001 Guspodin et al.
6,508,283 B1 1/2003 Nicotina

(75) Inventors: **Timothy J. Lassan**, Kent, OH (US);
James G. Guspodin, Akron, OH (US);
Michel Beauvais, Fairlawn, OH (US)

OTHER PUBLICATIONS

Star Skymaster Metric Tire, 2002 Tread Design Guide, Jan. 2002, p. 63. 3/2.*

(73) Assignee: **Bridgestone/Firestone North American Tire, LLC**, Nashville, TN (US)

* cited by examiner

(**) Term: **14 Years**

Primary Examiner—Robert M. Spear

(74) *Attorney, Agent, or Firm*—Michael Sand; Michael Huber

(21) Appl. No.: **29/185,873**

(57) **CLAIM**

(22) Filed: **Jul. 3, 2003**

The ornamental design for a tire tread, as shown and described.

(51) **LOC (7) Cl.** **12-15**

(52) **U.S. Cl.** **D12/603**

(58) **Field of Search** D12/546, 551-556,
D12/563-565, 567, 579, 581, 586-590,
599, 600-603, 900; 152/209.1-209.28

DESCRIPTION

FIG. 1 is a side perspective view of a tire tread showing our new design, it being understood that the tread pattern is repeated throughout the circumference of the tire tread, the opposite side being the same as that shown;

FIG. 2 is a front elevational view thereof;

FIG. 3 is a side elevational view of the right side thereof, the opposite side being identical thereto; and,

FIG. 4 is an enlarged fragmentary front elevational view thereof.

The broken lines defining the tire sidewall, inner bead, and the peripheral boundary between the claimed tire tread and sidewall are for illustrative purposes only and form no part of the claimed design.

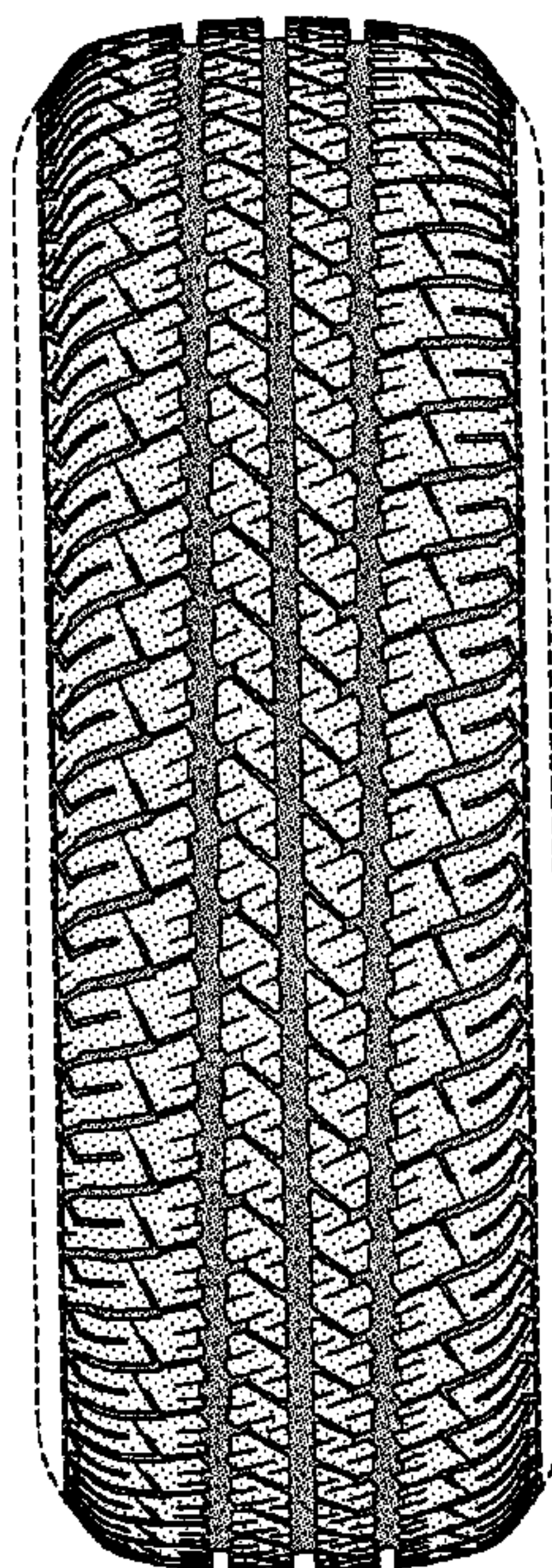
In the drawings, the dark stippled surface shading represents the recessed portion of the tread grooves, which have the groove depth shown at the top and bottom of FIG. 2.

(56) **References Cited**

U.S. PATENT DOCUMENTS

D362,219 S	9/1995	McKisson	
D379,954 S	* 6/1997	Matsuda et al. D12/590
D386,728 S	11/1997	Jeong	
D390,176 S	2/1998	Maxwell	
D395,856 S	7/1998	Horie et al.	
D397,971 S	9/1998	Horie et al.	
D410,601 S	6/1999	Murata et al.	
D419,500 S	1/2000	Edwards	
D426,179 S	6/2000	Fierro et al.	
6,123,130 A	9/2000	Himuro et al.	
6,129,127 A	10/2000	Nicotina	
D445,372 S	7/2001	Lassan et al.	
D446,174 S	8/2001	Lassan et al.	
D446,480 S	8/2001	Guspodin et al.	

1 Claim, 4 Drawing Sheets



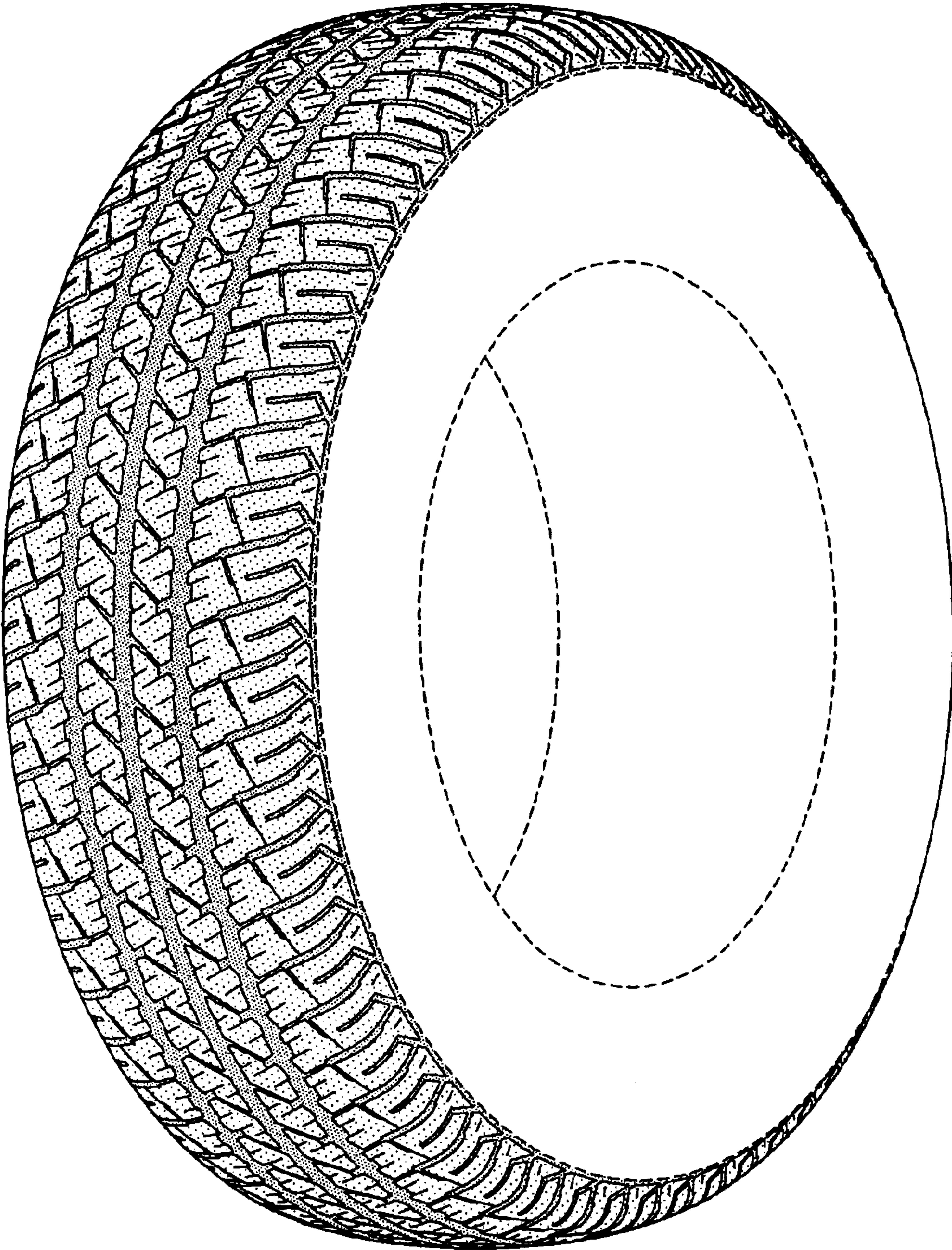


FIG-1

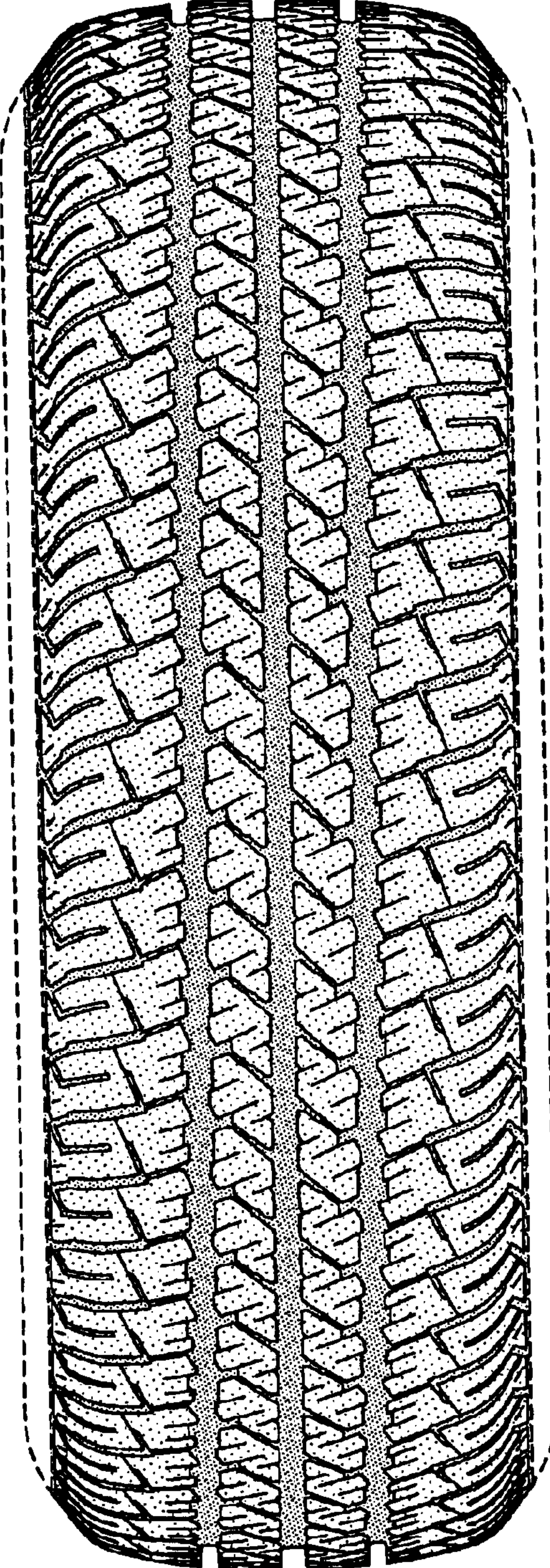


FIG-2

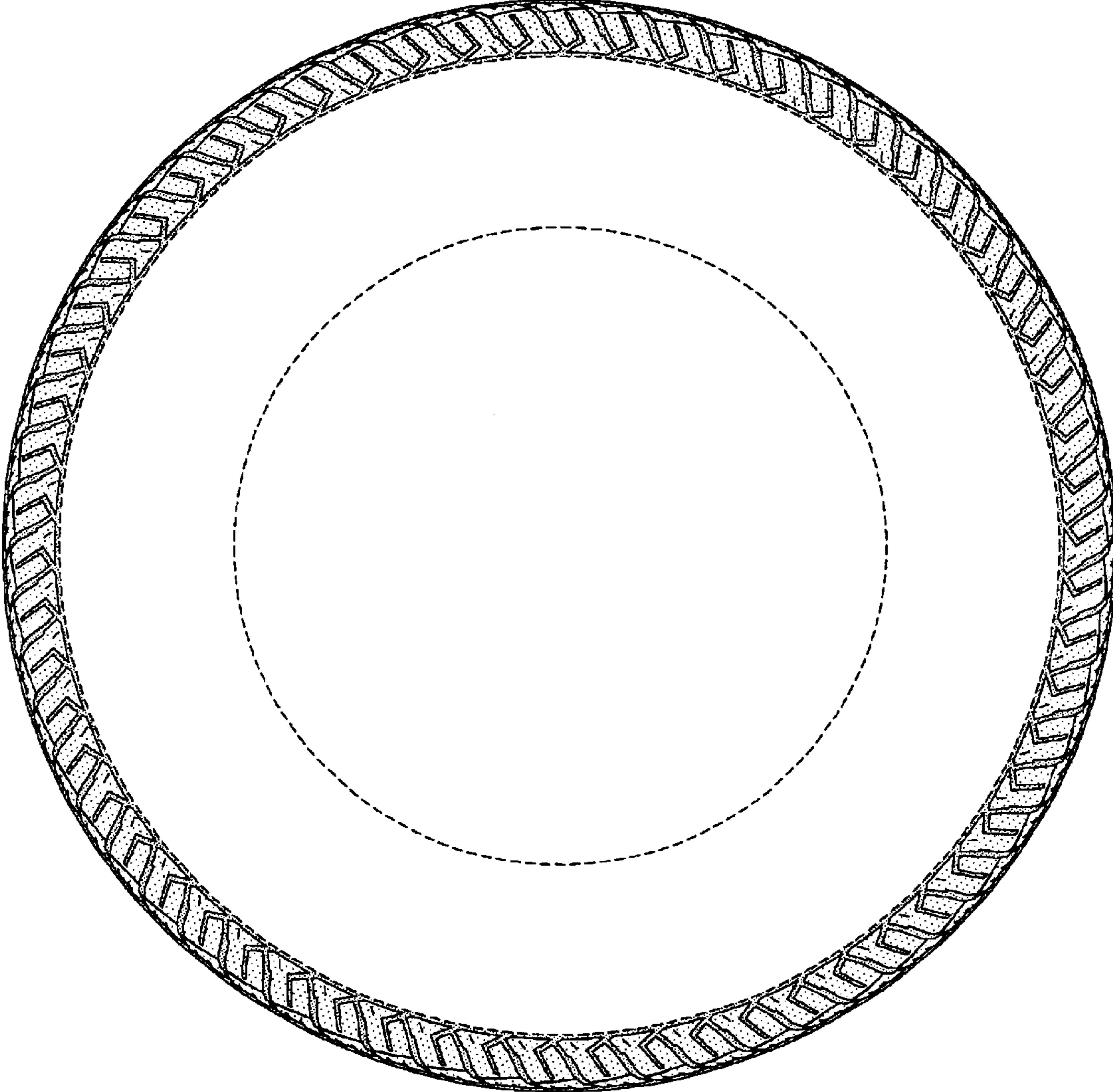


FIG-3

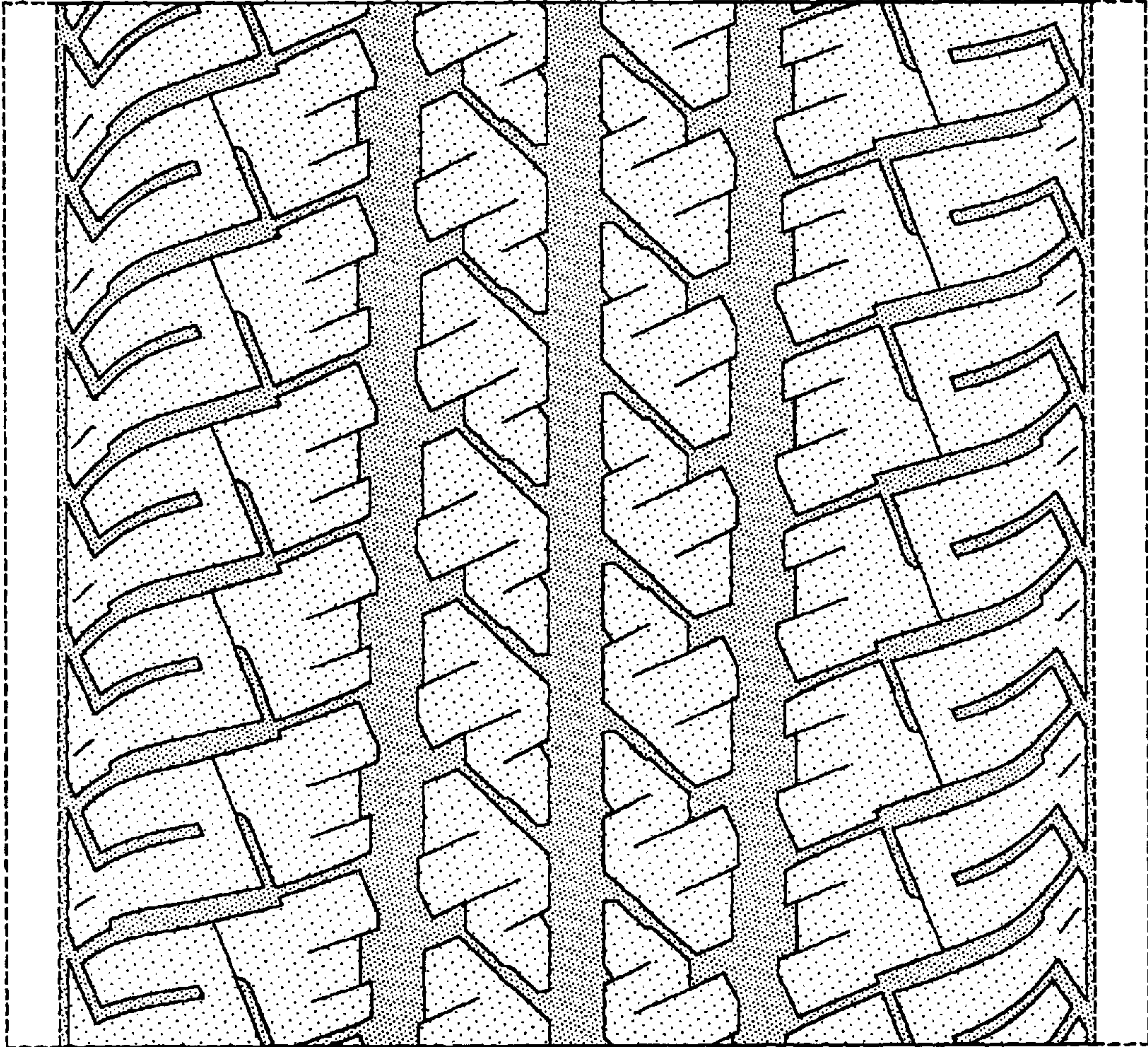


FIG-4