

US00D491880S1

(12) **United States Design Patent**
Guidry

(10) **Patent No.:** **US D491,880 S**
(45) **Date of Patent:** **** Jun. 22, 2004**

(54) **HORIZONTAL SEAT ORGANIZER WITH
REMOVABLE DIVIDERS FOR VEHICLE**
(76) **Inventor:** **Corey Thomas Guidry**, 1 Stonestrow
Dr., #103, Houma, LA (US) 70364
(**) **Term:** **14 Years**

D371,109 S * 6/1996 Schlattl D12/425
D373,754 S * 9/1996 Pinterpe D12/424
D458,210 S * 6/2002 Kanczuzewski et al. ... D12/426
6,422,440 B1 * 7/2002 Stone 224/275
D486,121 S * 2/2004 Bergh et al. D12/425

* cited by examiner

Primary Examiner—Stacia Cadmus
(74) *Attorney, Agent, or Firm*—Donald R. Schoonover

(21) **Appl. No.:** **29/193,186**
(22) **Filed:** **Nov. 6, 2003**

(57) **CLAIM**

(51) **LOC (7) Cl.** **12-16**
(52) **U.S. Cl.** **D12/425**
(58) **Field of Search** D12/415–419,
D12/423–425; D3/232–234, 245–246, 303,
216–228; 224/275–277, 539, 926; 296/37.15,
37.16; 108/25–26, 44–45

I claim the ornamental design for a horizontal seat organizer with removable dividers for vehicle, as shown and described.

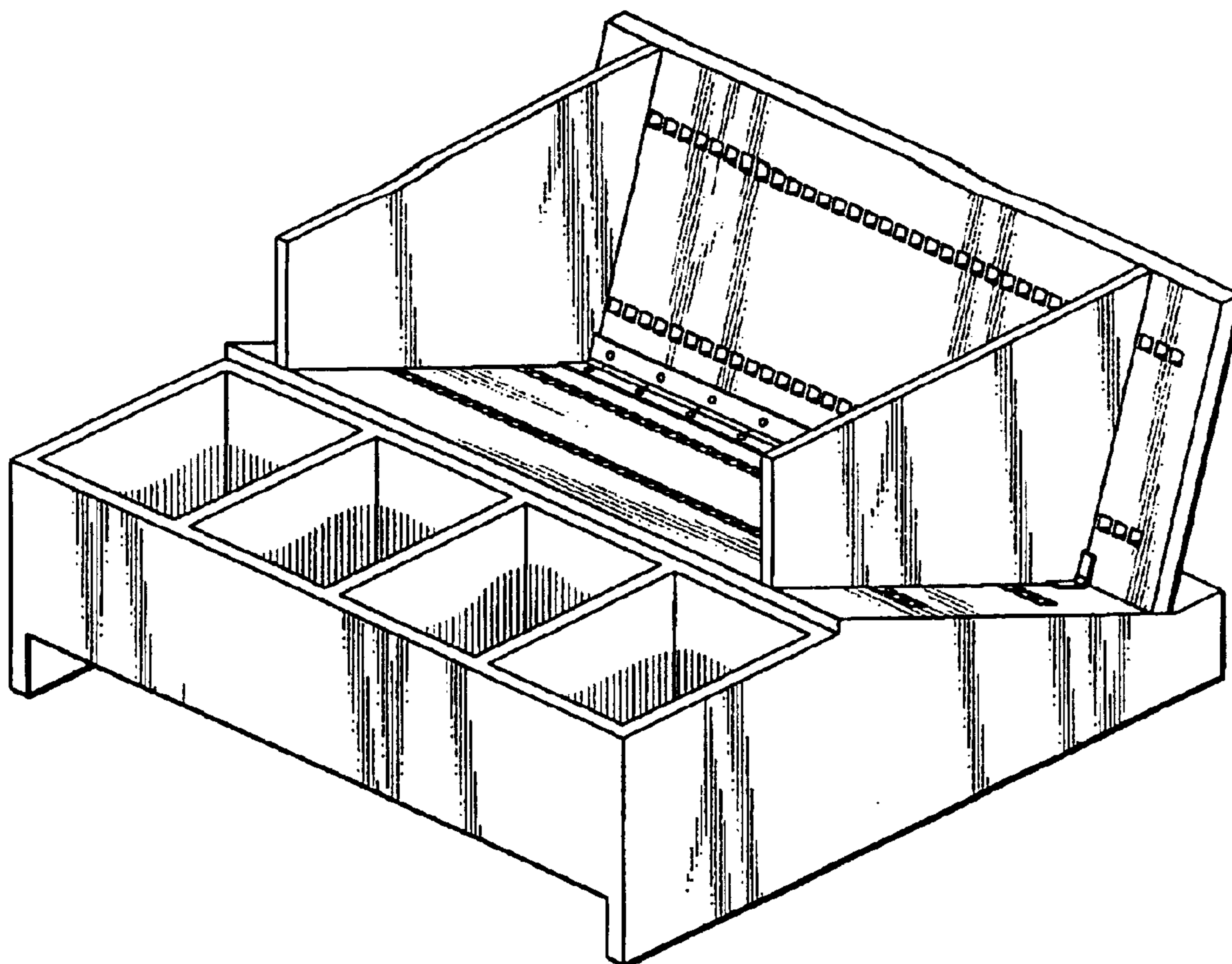
DESCRIPTION

(56) **References Cited**
U.S. PATENT DOCUMENTS

FIG. 1 is a perspective view of a horizontal seat organizer with removable dividers for vehicle showing my new design;
FIG. 2 is a top plan view thereof;
FIG. 3 is an end elevational view thereof, the elevational view of the opposing end being a mirror image thereof;
FIG. 4 is a side elevational view thereof; and,
FIG. 5 is an elevational view of the opposing side.
All views show the lid/writing platform in an opened condition.

D207,916 S * 6/1967 White D12/425
4,756,459 A 7/1988 Hardman 224/275
D302,355 S * 7/1989 Bell et al. D12/424
D302,356 S * 7/1989 Bell et al. D12/424
D311,450 S * 10/1990 Burns D12/425
D327,364 S 6/1992 Mankey D12/419
D327,774 S 7/1992 Li D12/419
D362,837 S 10/1995 Mankey et al. D12/419

1 Claim, 2 Drawing Sheets



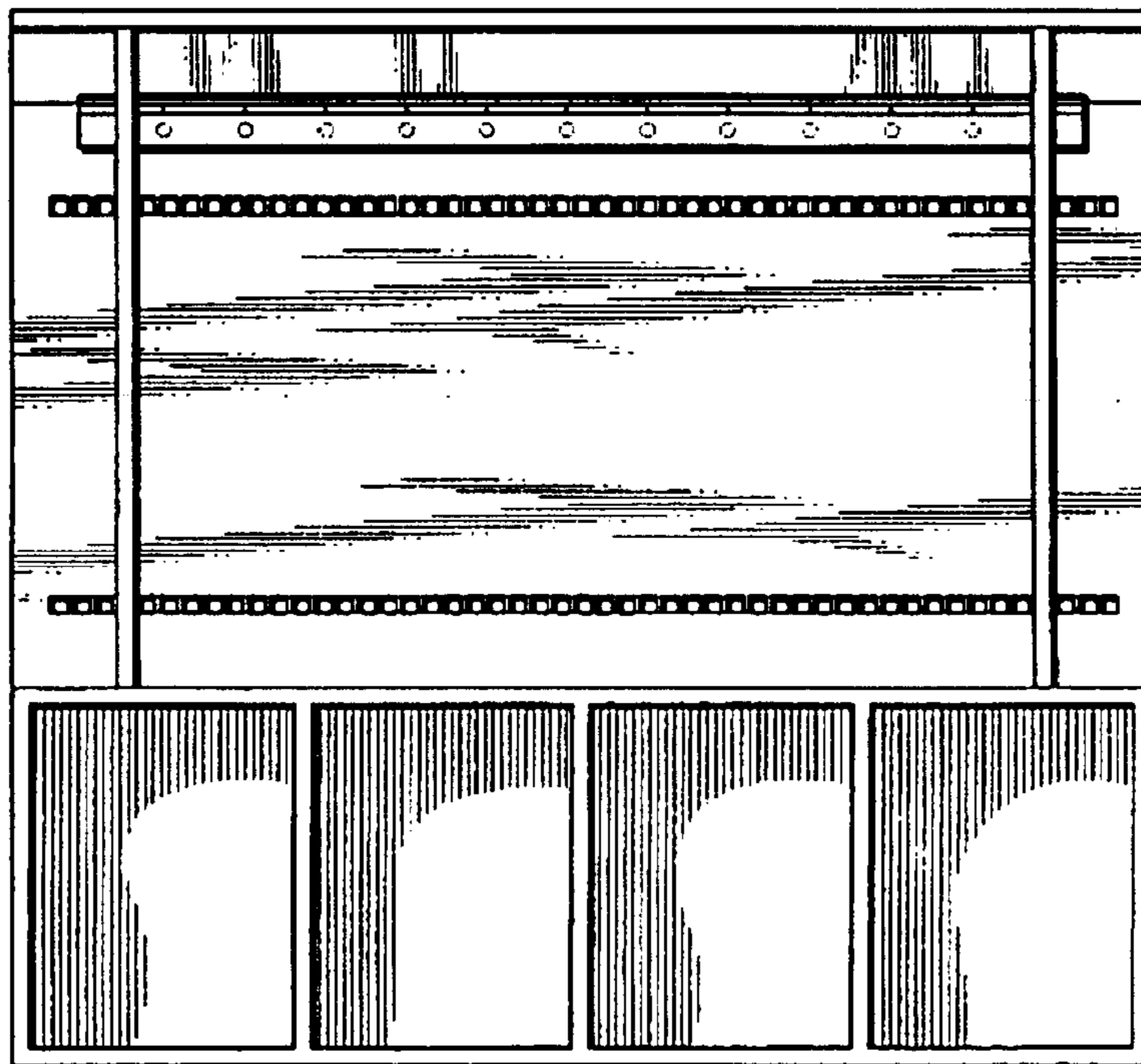
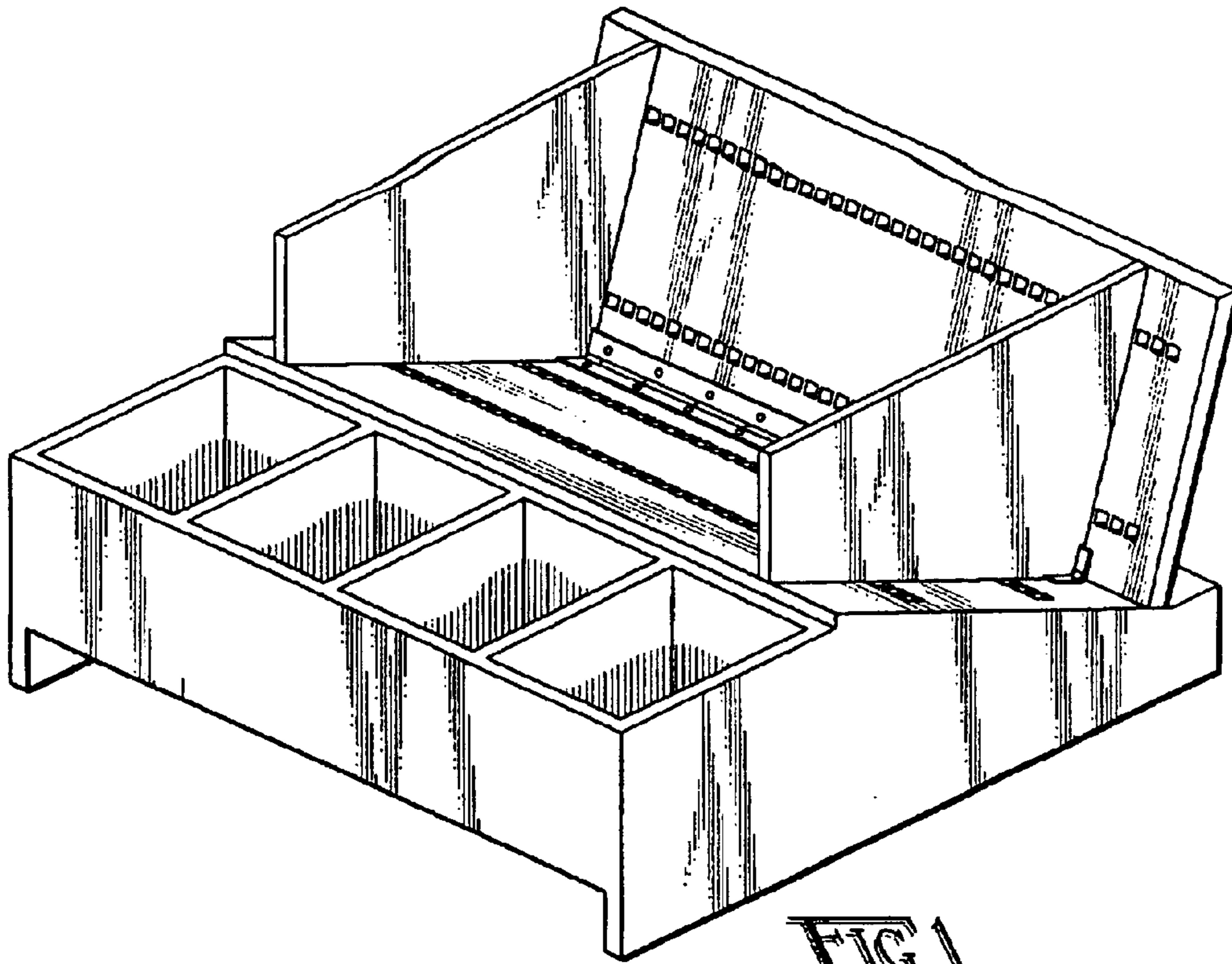


FIG. 2

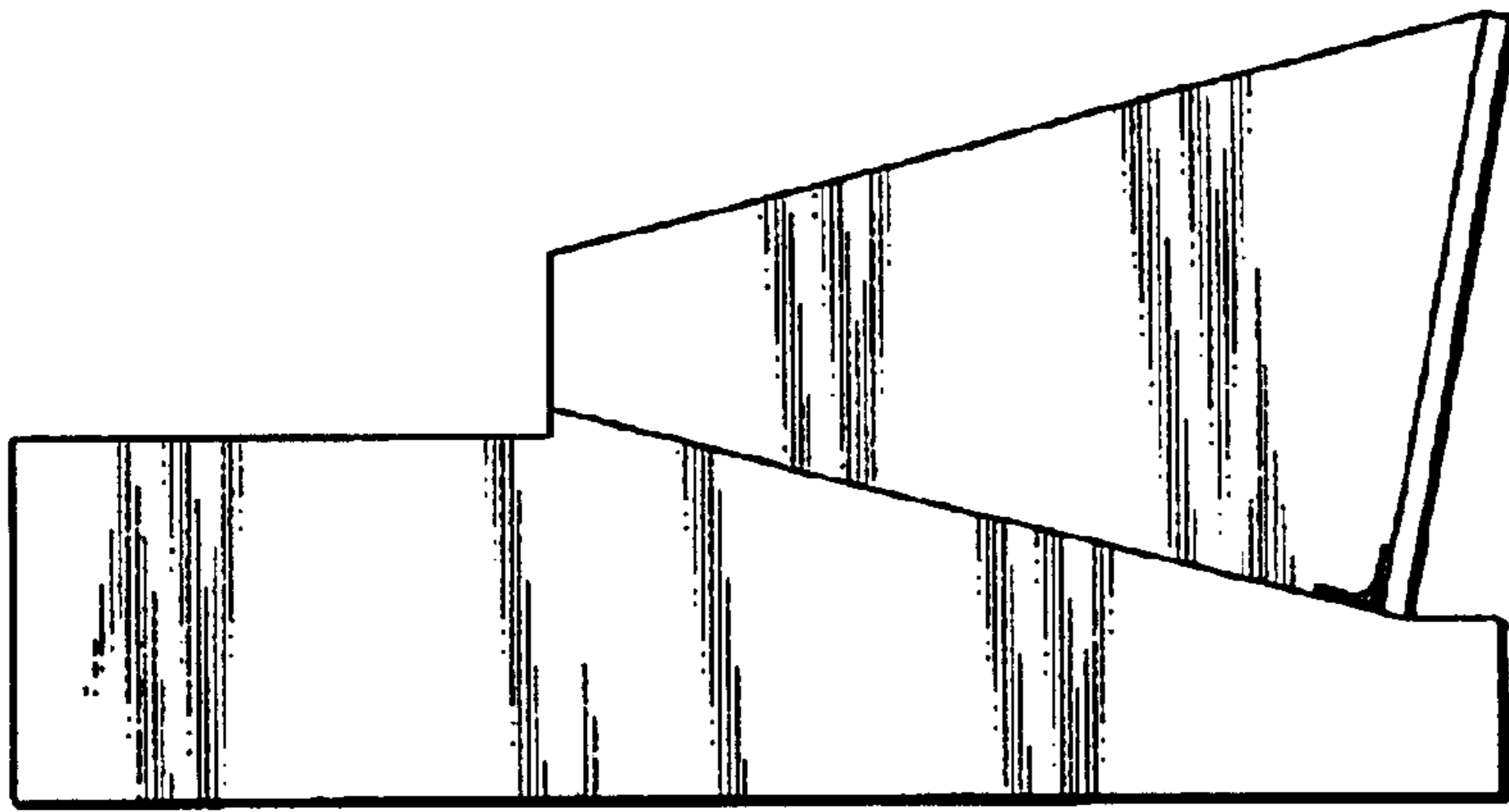


FIG. 3

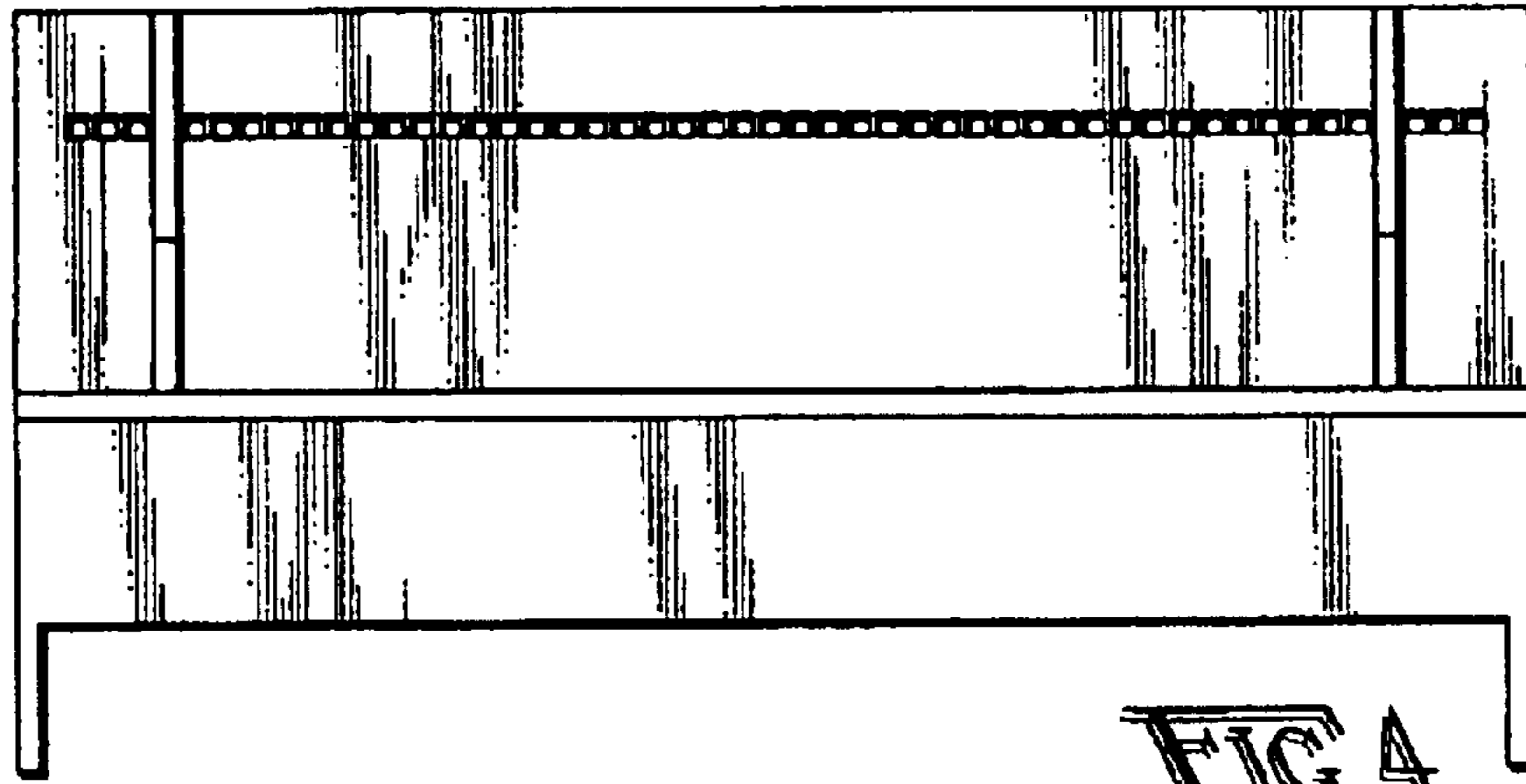


FIG. 4

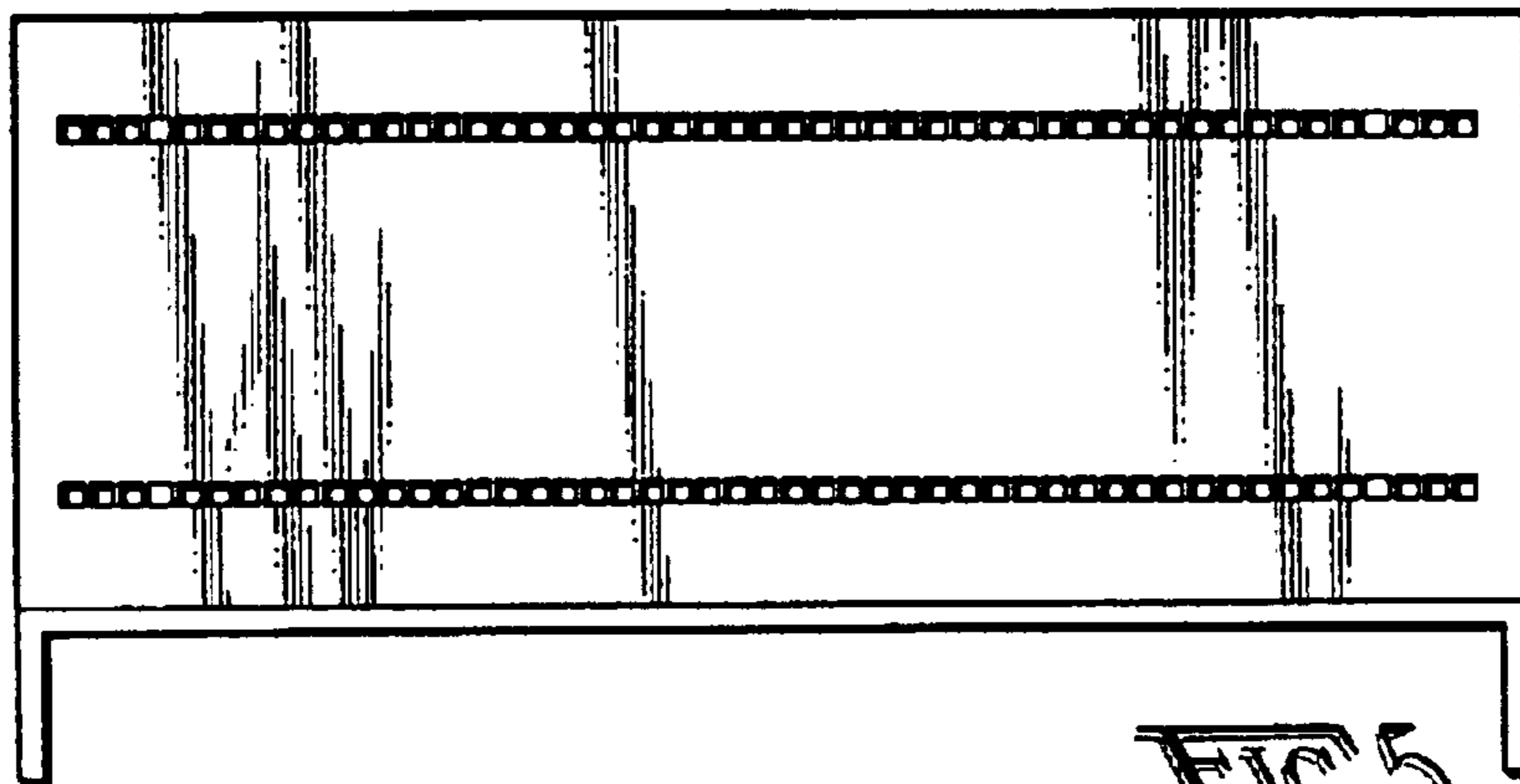


FIG. 5