



US00D491873S1

(12) **United States Design Patent**
Markefka

(10) **Patent No.:** **US D491,873 S**
(45) **Date of Patent:** **** Jun. 22, 2004**

(54) **FRONT FACE OF A VEHICLE WHEEL**

(75) **Inventor:** **Marc Michael Markefka, Munich (DE)**

(73) **Assignee:** **Bayerische Motoren Werke Aktiengesellschaft, Munich (DE)**

(**) **Term:** **14 Years**

(21) **Appl. No.:** **29/188,666**

(22) **Filed:** **Aug. 22, 2003**

(30) **Foreign Application Priority Data**

Feb. 25, 2003 (DE) 4 03 01 698

(51) **LOC (7) Cl.** **12-16**

(52) **U.S. Cl.** **D12/211**

(58) **Field of Search** D12/204-213;
301/37.101, 64.101, 65

(56) **References Cited**

U.S. PATENT DOCUMENTS

- D396,682 S * 8/1998 Sacco et al. D12/209
- D402,952 S * 12/1998 Sycha D12/211
- D412,480 S * 8/1999 Hussaini et al. D12/209

- D419,942 S 2/2000 Lampkin D12/209
- D444,759 S * 7/2001 Hartl D12/211
- D460,396 S * 7/2002 Kember et al. D12/209
- D475,336 S * 6/2003 Larson D12/209
- D480,676 S * 10/2003 Bhambra D12/211
- D482,308 S * 11/2003 Lee D12/211
- D485,524 S * 1/2004 Bhambra D12/209

* cited by examiner

Primary Examiner—Stacia Cadmus

(74) *Attorney, Agent, or Firm*—Crowell & Moring LLP

(57) **CLAIM**

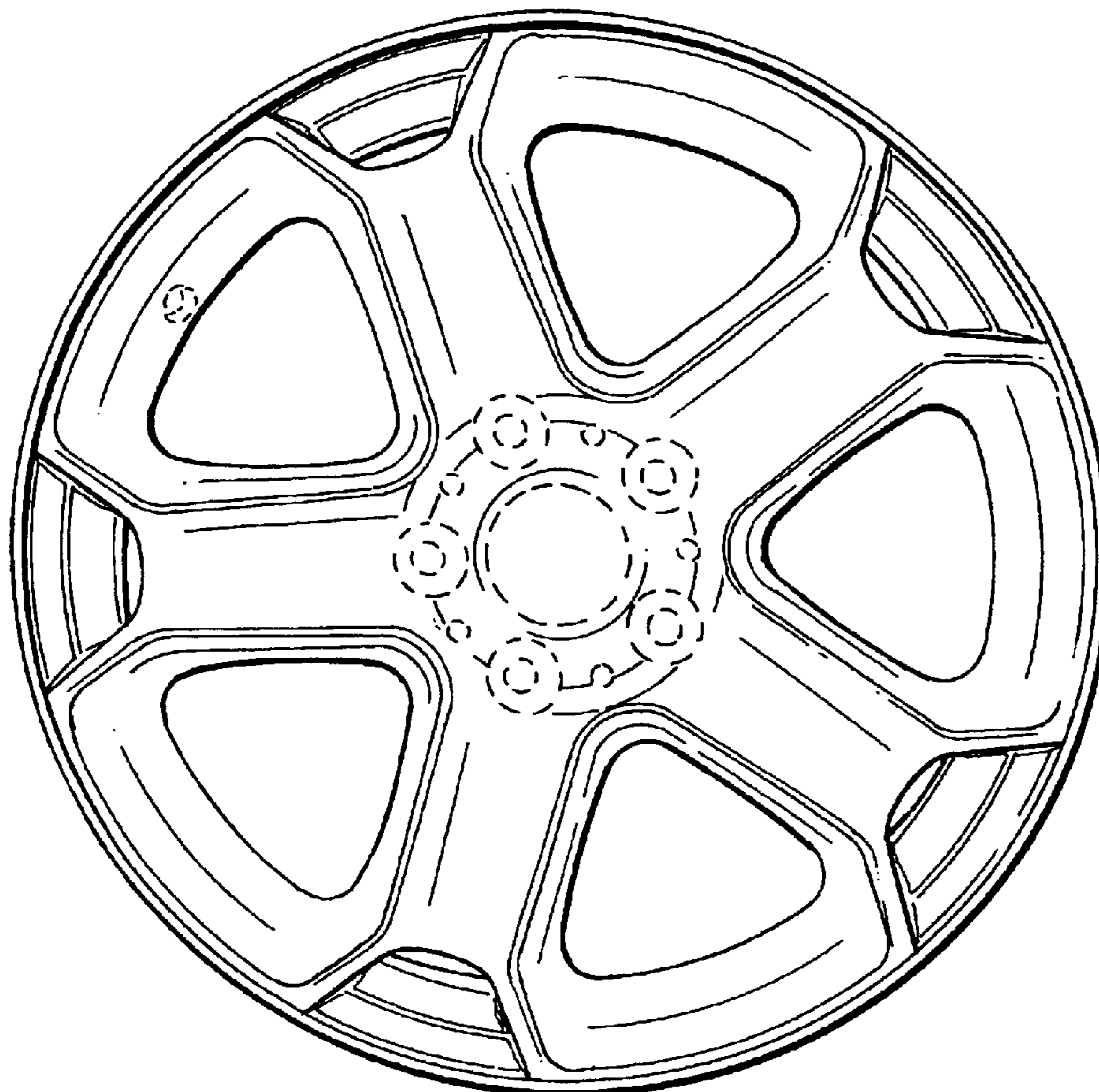
The ornamental design for a front face of a vehicle wheel, as shown and described.

DESCRIPTION

FIG. 1 is a front view of a front face of a vehicle wheel according to my novel design; and, FIG. 2 is a perspective view of the front face of a vehicle wheel according to my novel design.

The broken lines are for illustrative purposes only and form no part of the claimed design. Also enclosed is a set of photographs of an embodiment of my invention.

1 Claim, 1 Drawing Sheet



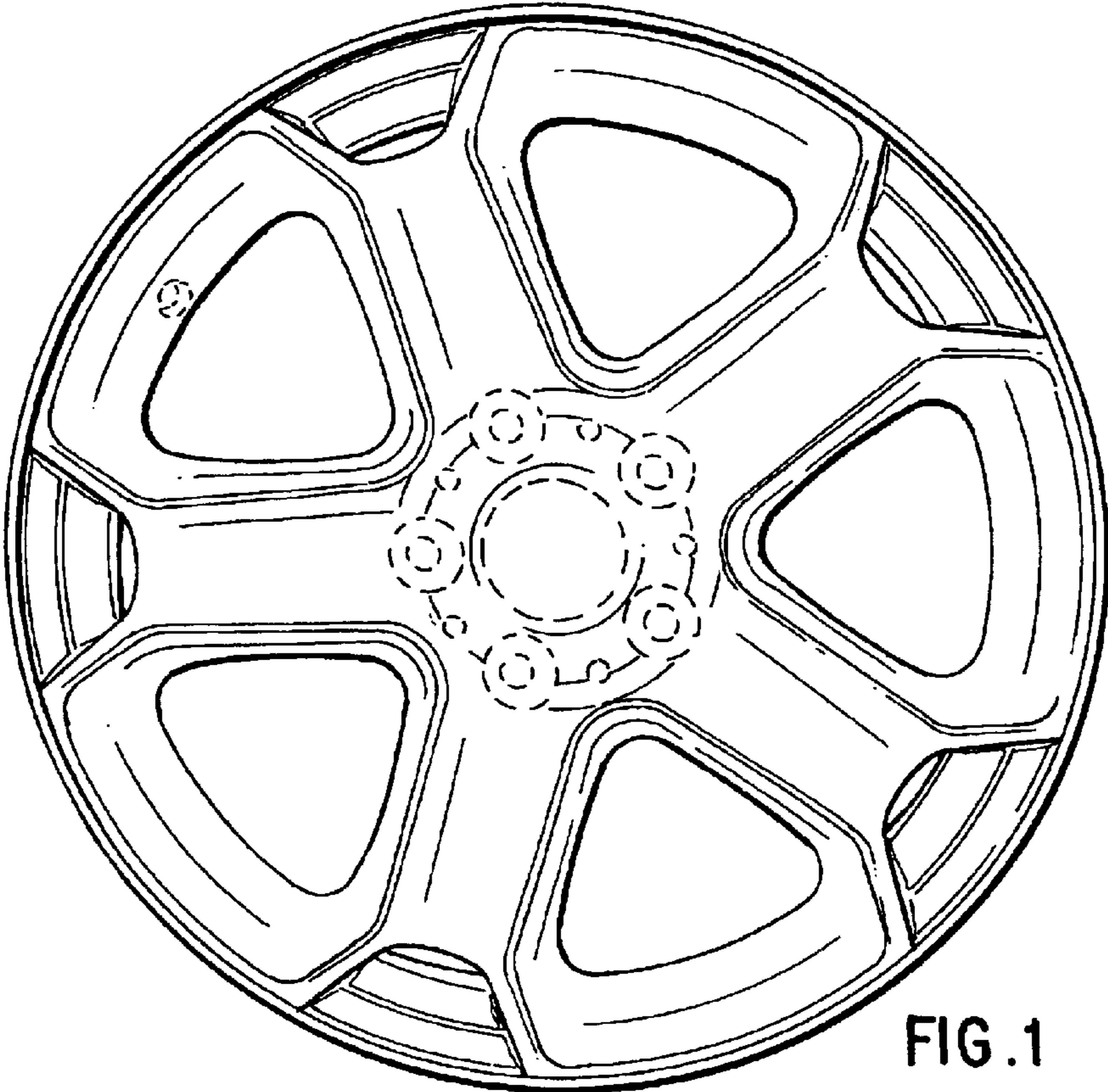


FIG. 1

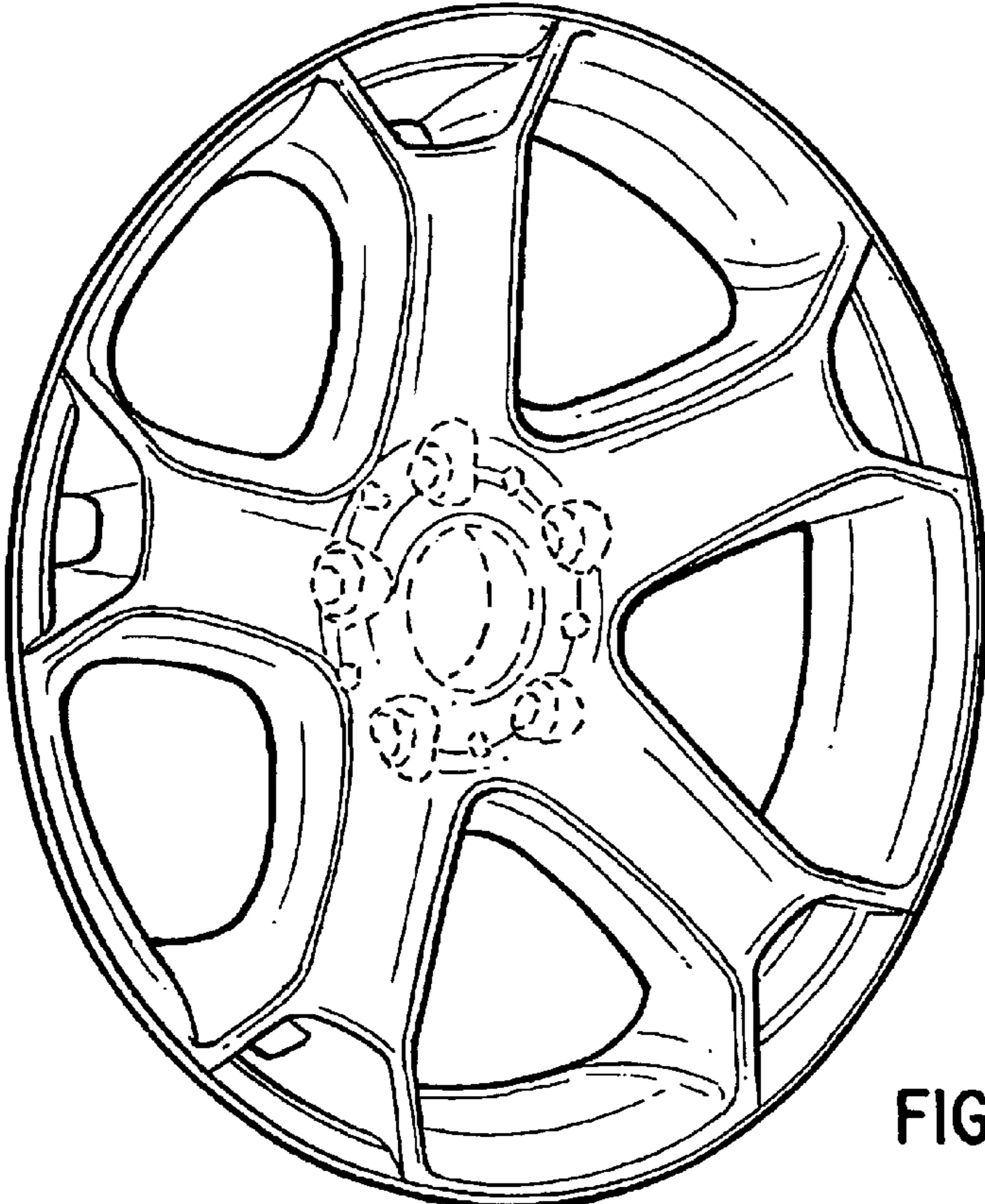


FIG. 2