

US00D491868S1

(12) **United States Design Patent**
Lin

(10) **Patent No.: US D491,868 S**
(45) **Date of Patent: ** Jun. 22, 2004**

(54) **WHEEL**
(75) **Inventor: Rich Lin, Yung-Ho (TW)**
(73) **Assignee: Global Power Technologies Corporation, Taipei (TW)**
(**) **Term: 14 Years**

(21) **Appl. No.: 29/189,198**
(22) **Filed: Aug. 30, 2003**

(51) **LOC (7) Cl. 12-16**
(52) **U.S. Cl. D12/209**
(58) **Field of Search D12/204-213;**
301/37.101, 64.101, 65

(56) **References Cited**

U.S. PATENT DOCUMENTS

D303,516 S * 9/1989 Arredondo, Jr. D12/209
D370,652 S * 6/1996 Londry D12/209
D378,506 S * 3/1997 Stolz et al. D12/209
D388,749 S * 1/1998 Kiser D12/211

D389,101 S * 1/1998 Julien D12/501
D438,155 S * 2/2001 Hanson D12/209
D445,389 S * 7/2001 Stach D12/209
D453,135 S * 1/2002 Chen D12/209
D453,493 S * 2/2002 Kokubu D12/209
D453,723 S * 2/2002 Kokubu D12/209

* cited by examiner

Primary Examiner—Stacia Cadmus

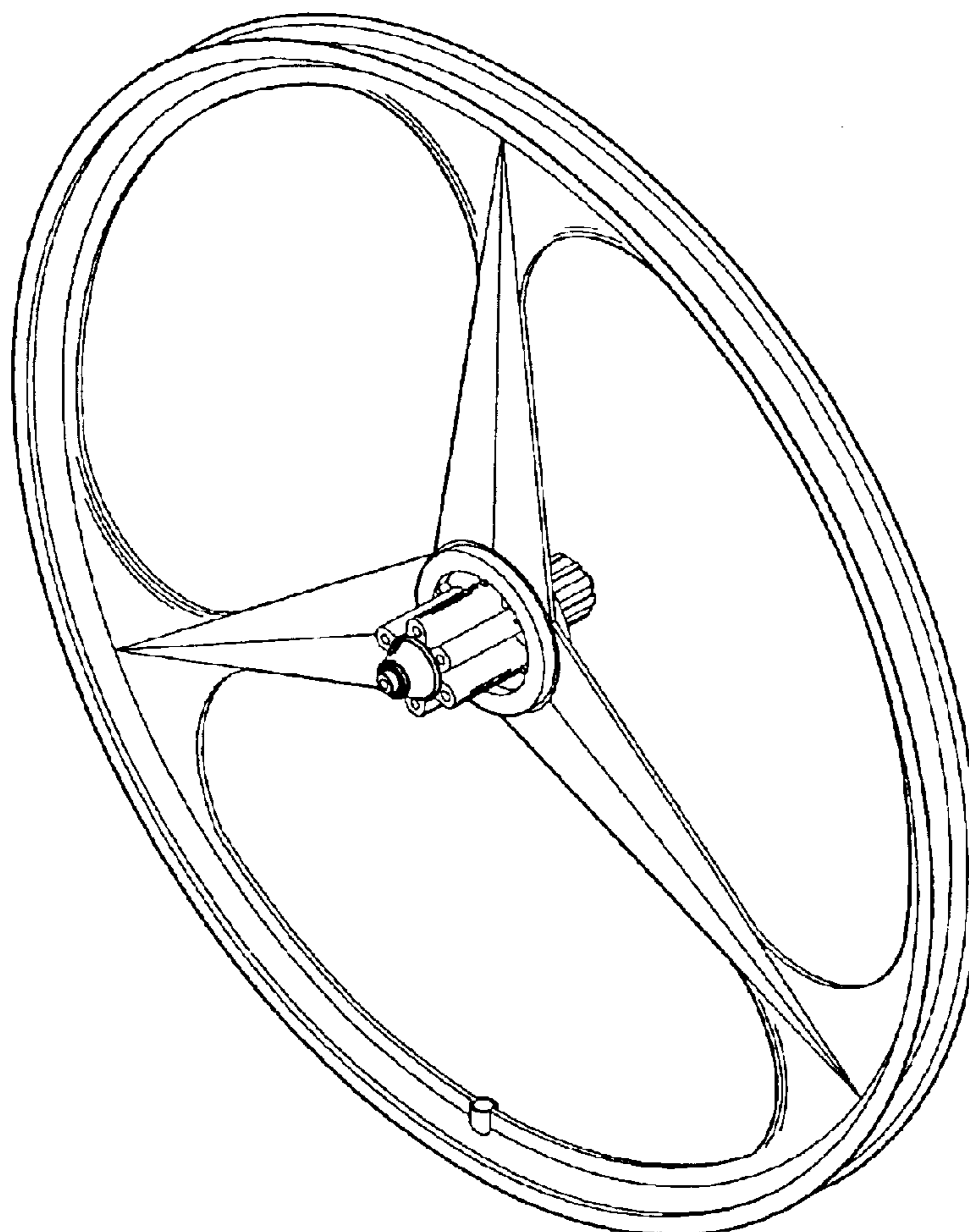
(57) **CLAIM**

The ornamental design for wheel, as shown and described.

DESCRIPTION

FIG. 1 is a perspective view of wheel showing my new design;
FIG. 2 is a front elevational view thereof;
FIG. 3 is a rear elevational view thereof;
FIG. 4 is a left side elevational view thereof;
FIG. 5 is a right side elevational view thereof;
FIG. 6 is a top view thereof; and,
FIG. 7 is a bottom view thereof.

1 Claim, 7 Drawing Sheets



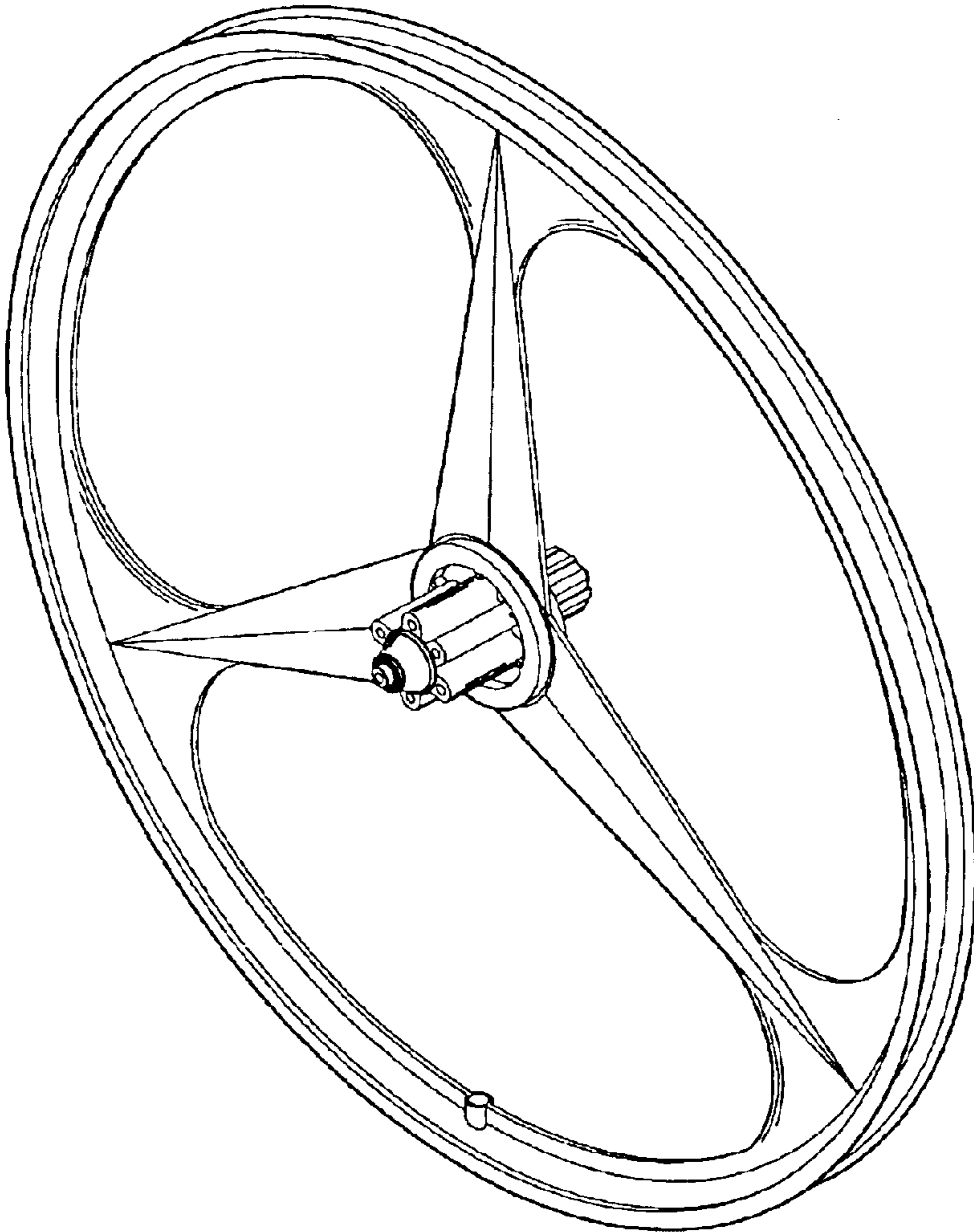


FIG. 1

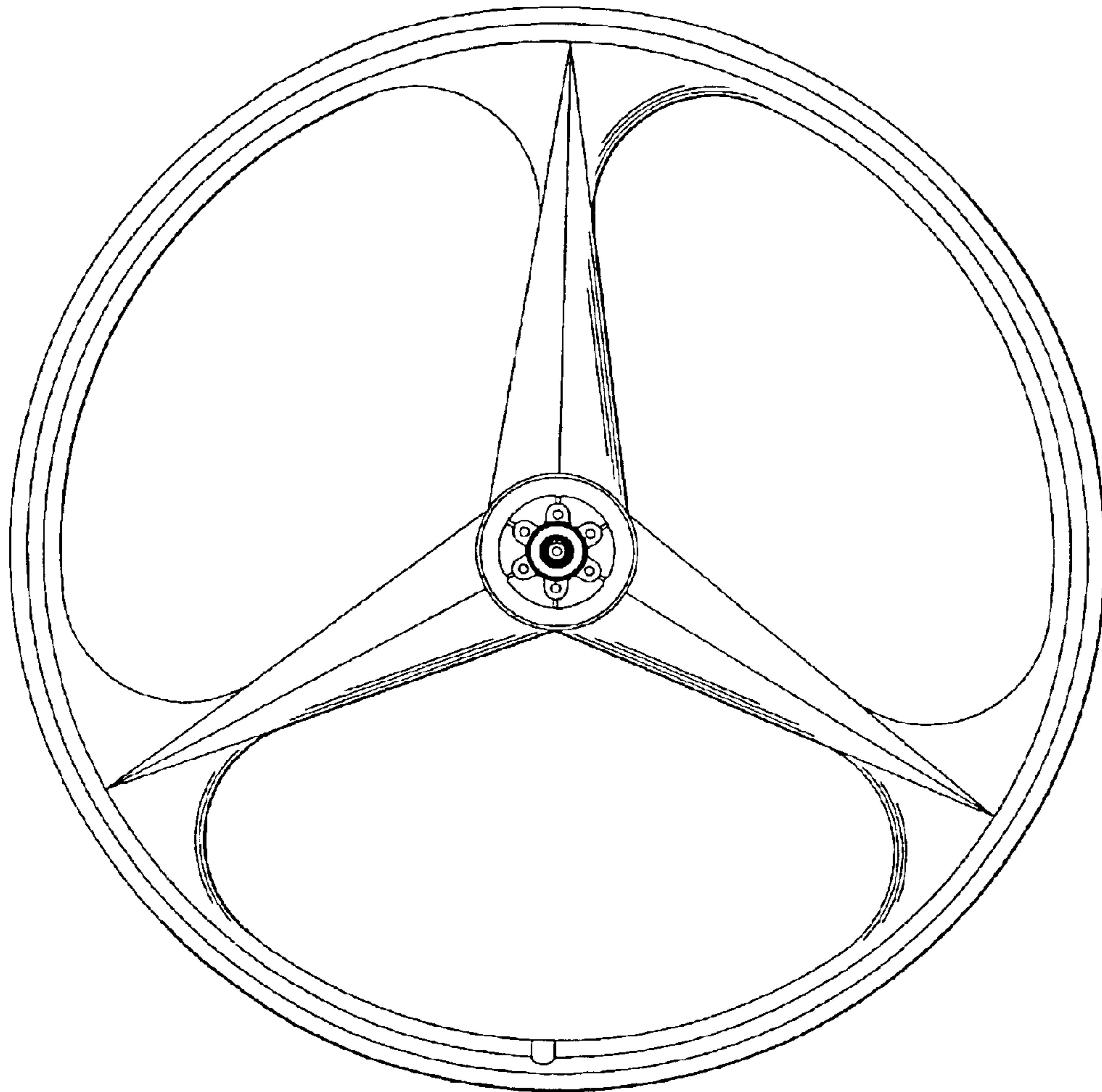


FIG. 2

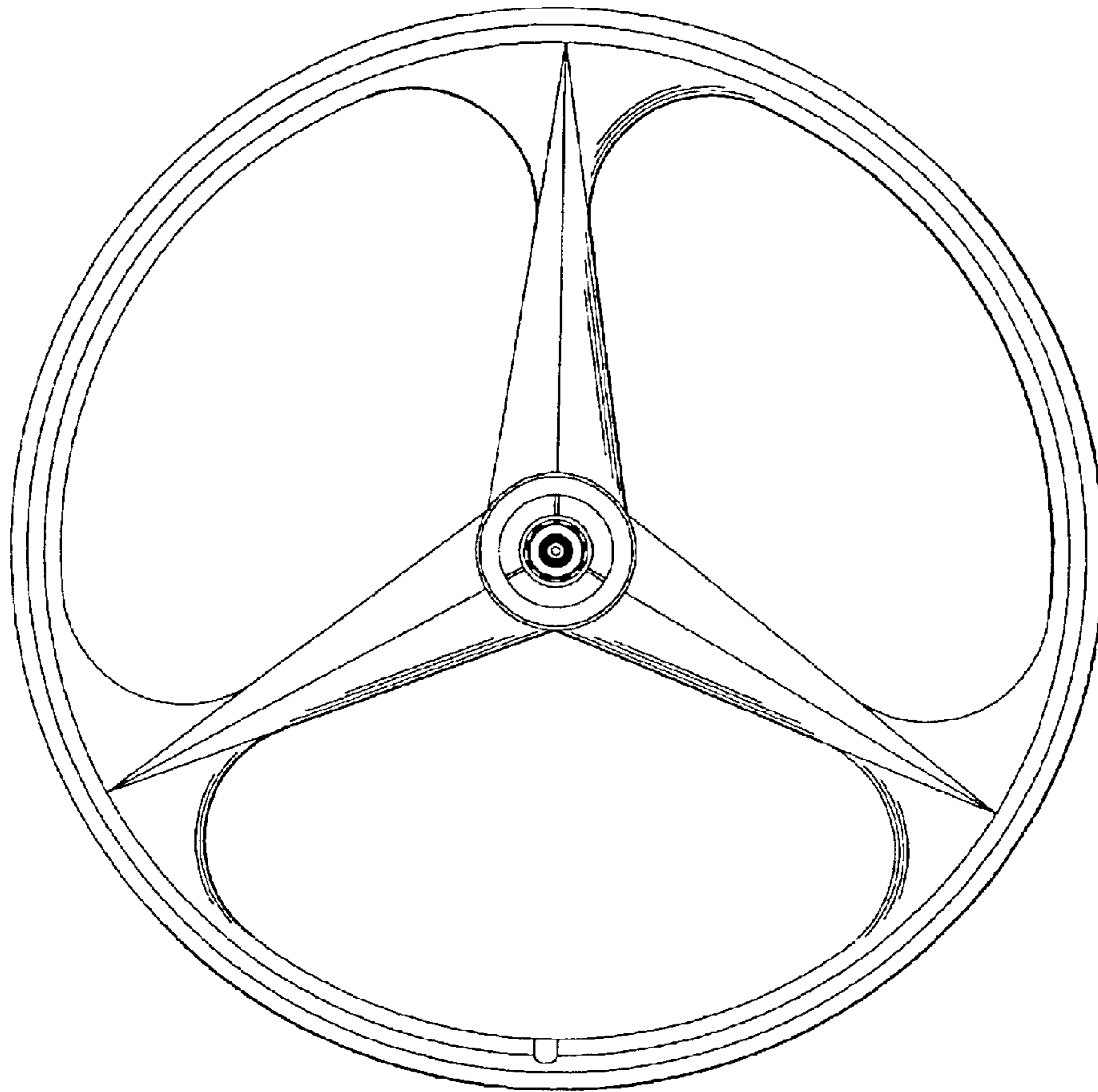


FIG. 3

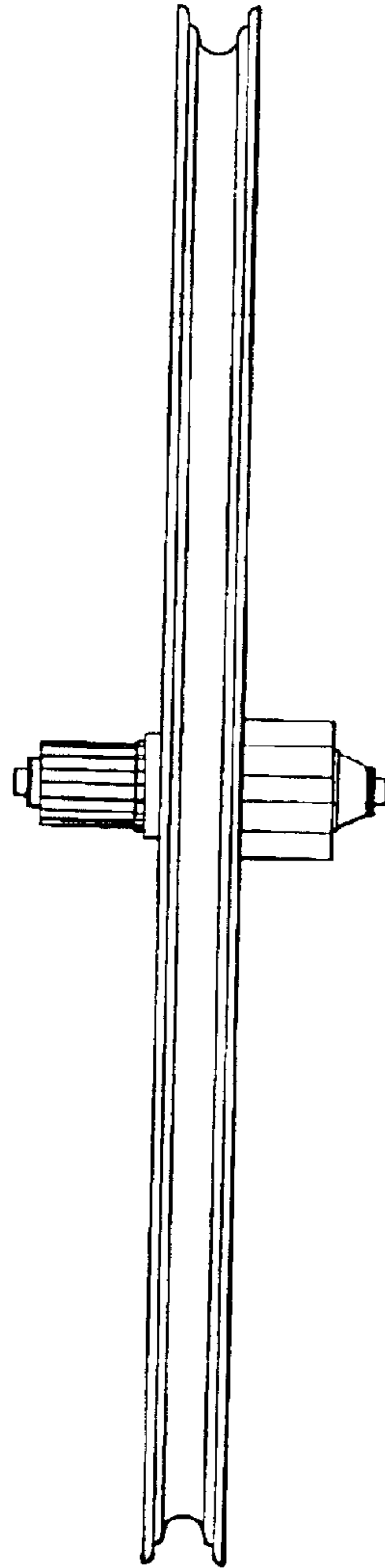


FIG. 4

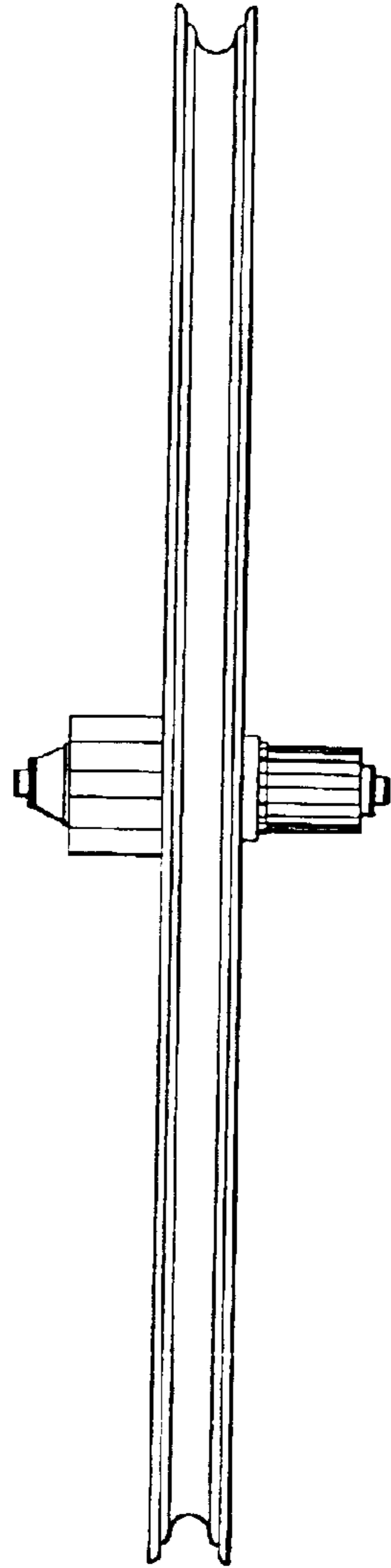


FIG. 5

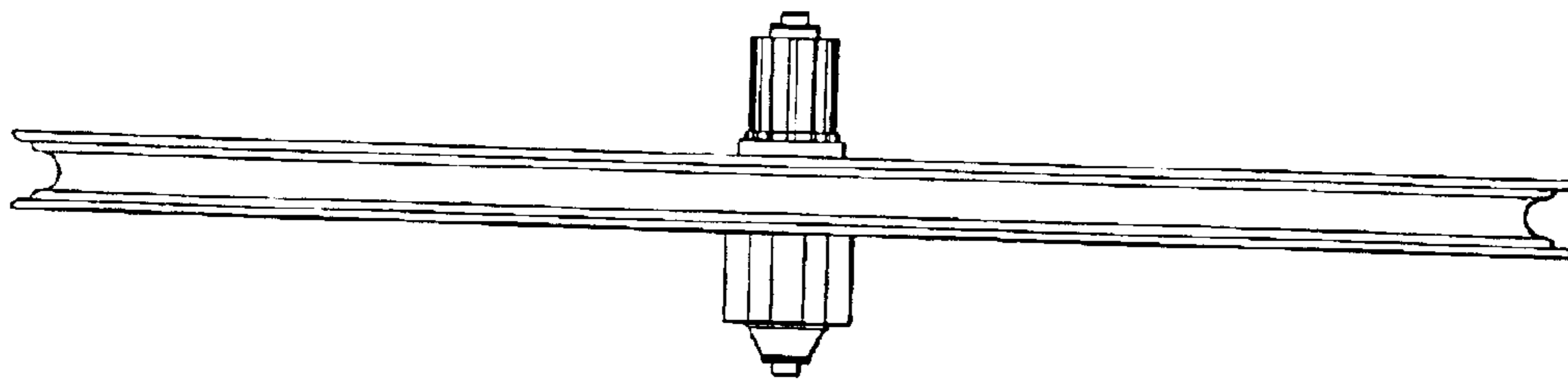


FIG. 6

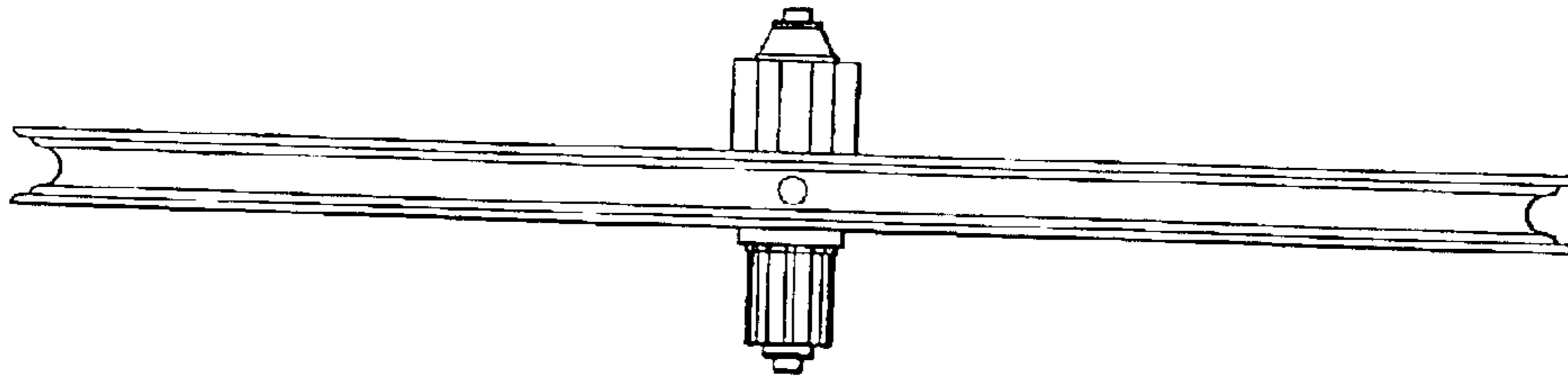


FIG. 7