



US00D491865S1

(12) **United States Design Patent**
Warming

(10) **Patent No.:** **US D491,865 S**
(45) **Date of Patent:** **** Jun. 22, 2004**

(54) **FRONT FACE OF A VEHICLE WHEEL**

(75) **Inventor:** **Anders Warming**, Woodland Hills, CA
(US)

(73) **Assignee:** **Bayerische Motoren Werke**
Aktiengesellschaft, Munich (DE)

(**) **Term:** **14 Years**

(21) **Appl. No.:** **29/178,621**

(22) **Filed:** **Mar. 31, 2003**

(30) **Foreign Application Priority Data**

Oct. 1, 2002 (DE) 4 02 08 288

(51) **LOC (7) Cl.** **12-16**

(52) **U.S. Cl.** **D12/209**

(58) **Field of Search** D12/204-213;
301/37.101, 64.101, 65

(56) **References Cited**

U.S. PATENT DOCUMENTS

D403,289 S * 12/1998 Watanabe D12/209

D407,364 S 3/1999 Fisker D12/209
D467,855 S * 12/2002 Laengerer D12/209
D477,262 S * 7/2003 Koch D12/209
D480,034 S * 9/2003 Donikoglu D12/209
D480,346 S * 10/2003 Kataoka D12/209
D485,223 S * 1/2004 Pfeiffer et al. D12/209

* cited by examiner

Primary Examiner—Stacia Cadmus

(74) *Attorney, Agent, or Firm*—Crowell & Moring LLP

(57) **CLAIM**

The ornamental design for a front face of a vehicle wheel,
as shown and described.

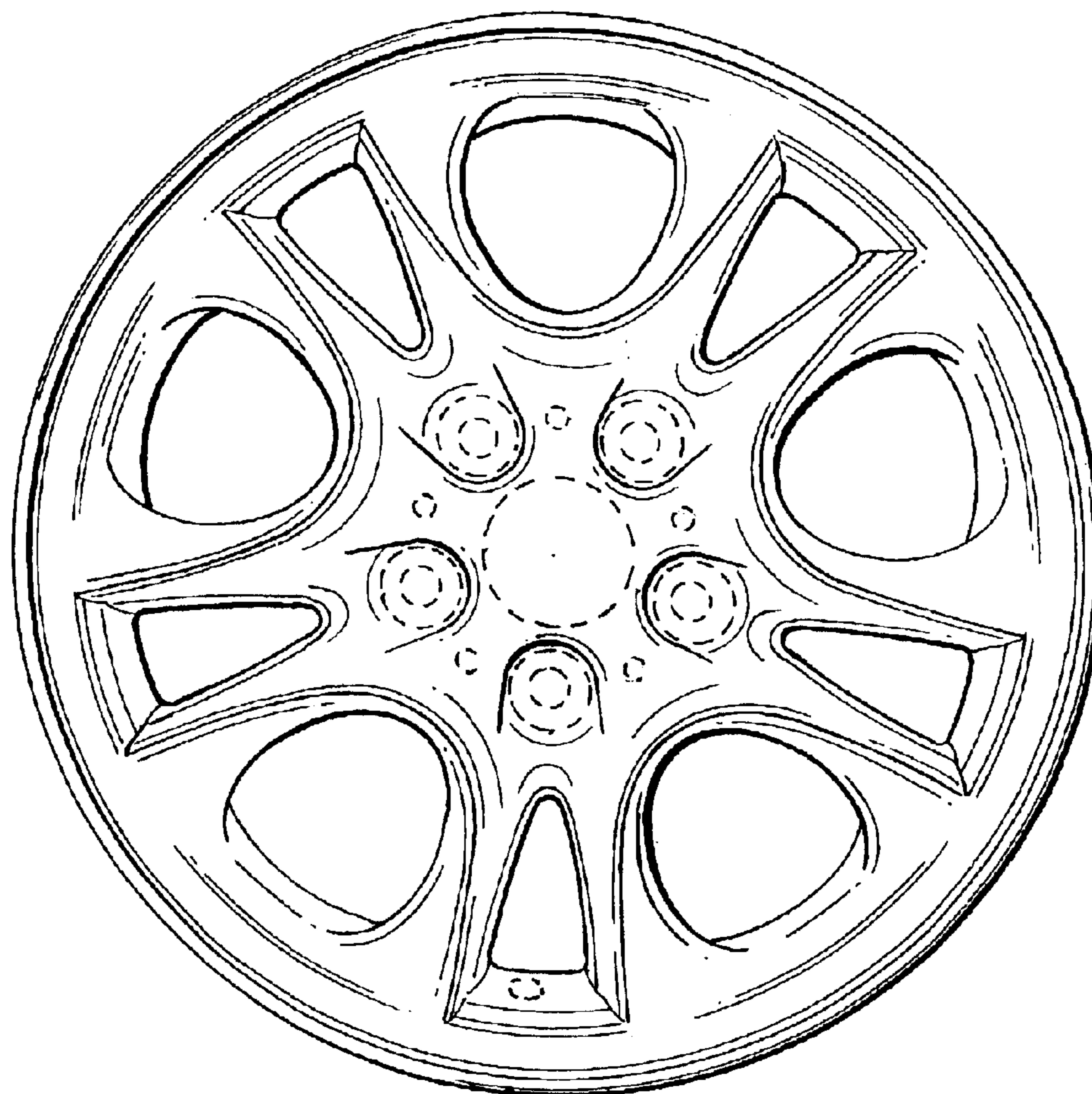
DESCRIPTION

FIG. 1 is a front view of a front face of a vehicle wheel
according to my novel design; and,

FIG. 2 is a perspective view of the front face of a vehicle
wheel according to my novel design.

The dash lines included depict environment and are not part
of the claimed design. Also enclosed is a set of photographs
of an embodiment of my invention.

1 Claim, 1 Drawing Sheet



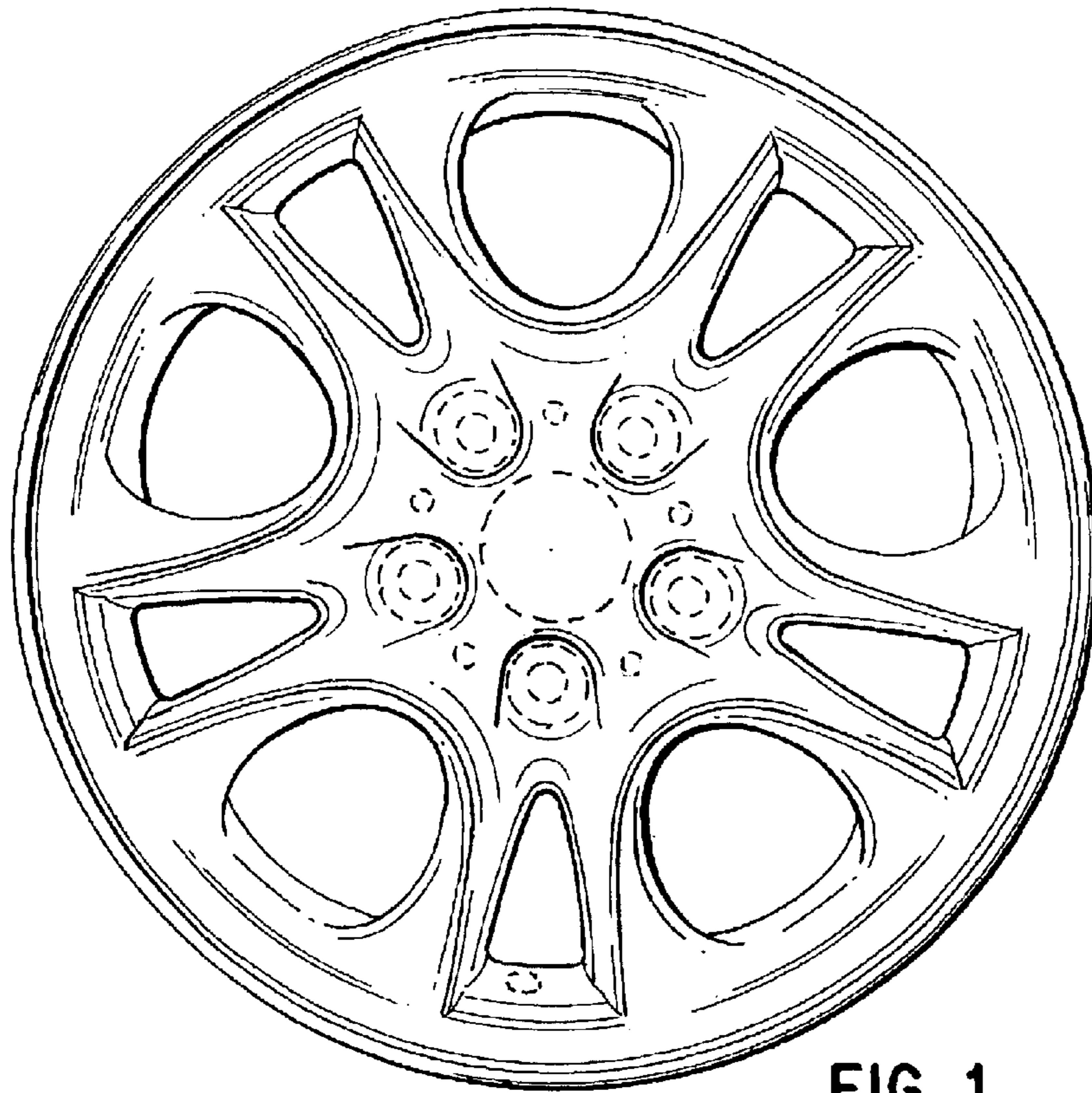


FIG. 1

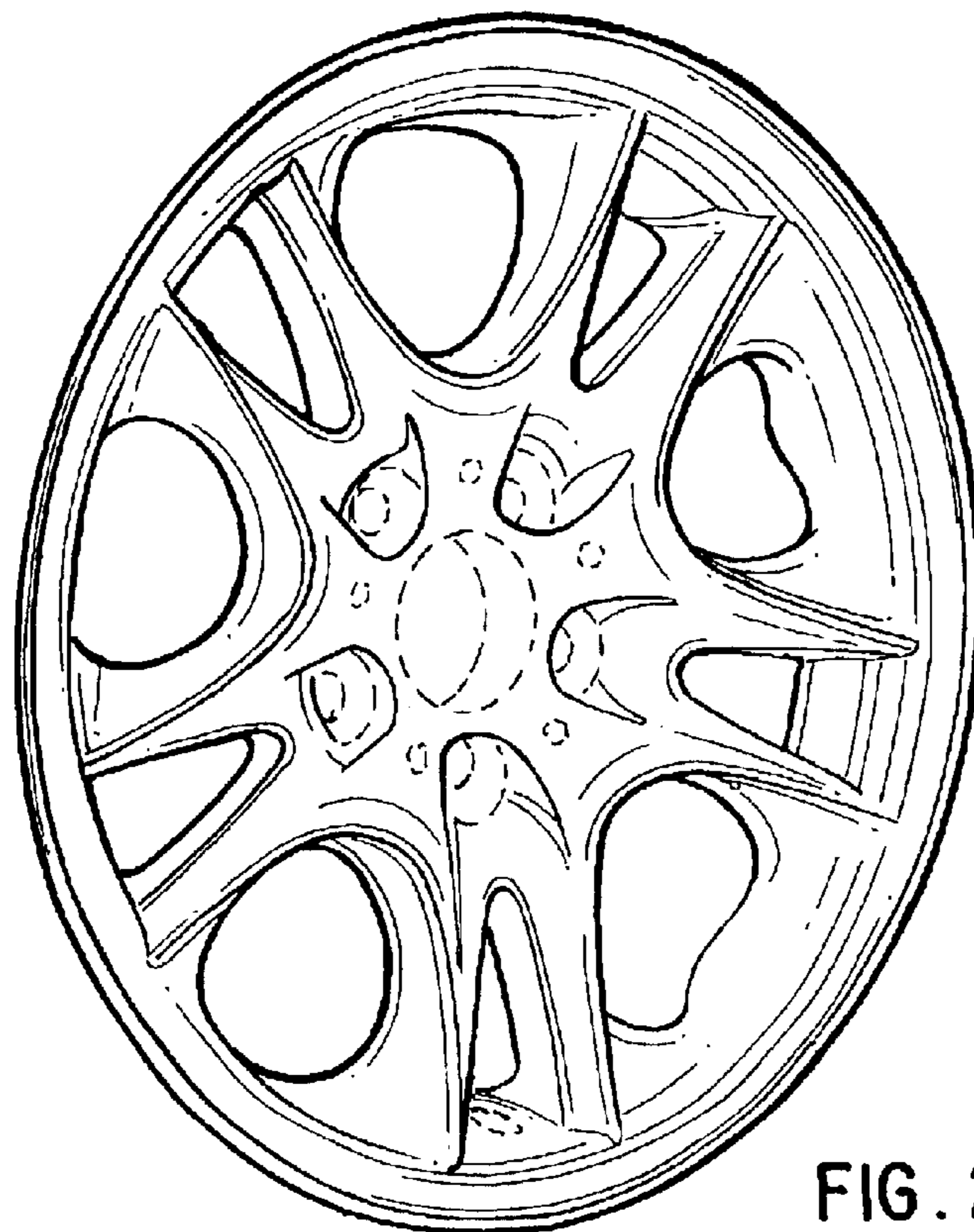


FIG. 2