



US00D491862S1

(12) **United States Design Patent**
Perfetti et al.

(10) **Patent No.: US D491,862 S**
(45) **Date of Patent: ** Jun. 22, 2004**

(54) **FAIRING FOR AN OVER THE HIGHWAY TRUCK**

(75) Inventors: **Ruben Perfetti**, Greensboro, NC (US);
John Martin, Madison, NC (US);
Michael Sorrells, Greensboro, NC (US)

(73) Assignee: **Volvo Trucks North America, Inc.**,
Greensboro, NC (US)

(**) Term: **14 Years**

(21) Appl. No.: **29/186,494**

(22) Filed: **Jul. 16, 2003**

(51) **LOC (7) Cl.** **12-16**

(52) **U.S. Cl.** **D12/196**

(58) **Field of Search** D12/196, 96, 97;
296/180.1, 180.2, 181, 190, 89.14, 89.16

(56) **References Cited**

U.S. PATENT DOCUMENTS

| | | | | |
|------------|---|---------|----------------------|---------|
| D411,140 S | * | 6/1999 | Meryman et al. | D12/96 |
| D420,622 S | * | 2/2000 | Hellhake et al. | D12/97 |
| D433,981 S | * | 11/2000 | Davis et al. | D12/196 |
| D434,348 S | * | 11/2000 | Delashaw et al. | D12/96 |
| D437,570 S | * | 2/2001 | Meryman et al. | D12/96 |
| D460,023 S | * | 7/2002 | Beigel | D12/96 |
| D465,749 S | * | 11/2002 | Beigel | D12/96 |
| D478,854 S | * | 8/2003 | Platto et al. | D12/196 |

OTHER PUBLICATIONS

1 page section of a story board used by the inventors of the present application depicting competing trucks that were on the market when this design was completed 1990 . . . Kenworth Trucks to the year 2000.

* cited by examiner

Primary Examiner—Melody N. Brown

(74) *Attorney, Agent, or Firm*—Watts Hoffmann Co., L.P.A.

(57) **CLAIM**

We claim the ornamental design for a fairing for an over the highway truck, as shown and described.

DESCRIPTION

FIG. 1 is a perspective view of the fairing for an over the highway truck of our new design;

FIG. 2 is a perspective view of the fairing;

FIG. 3 is a top plan view of the fairing;

FIG. 4 is a front elevational view of the fairing;

FIG. 5 is a right side elevational view of the fairing;

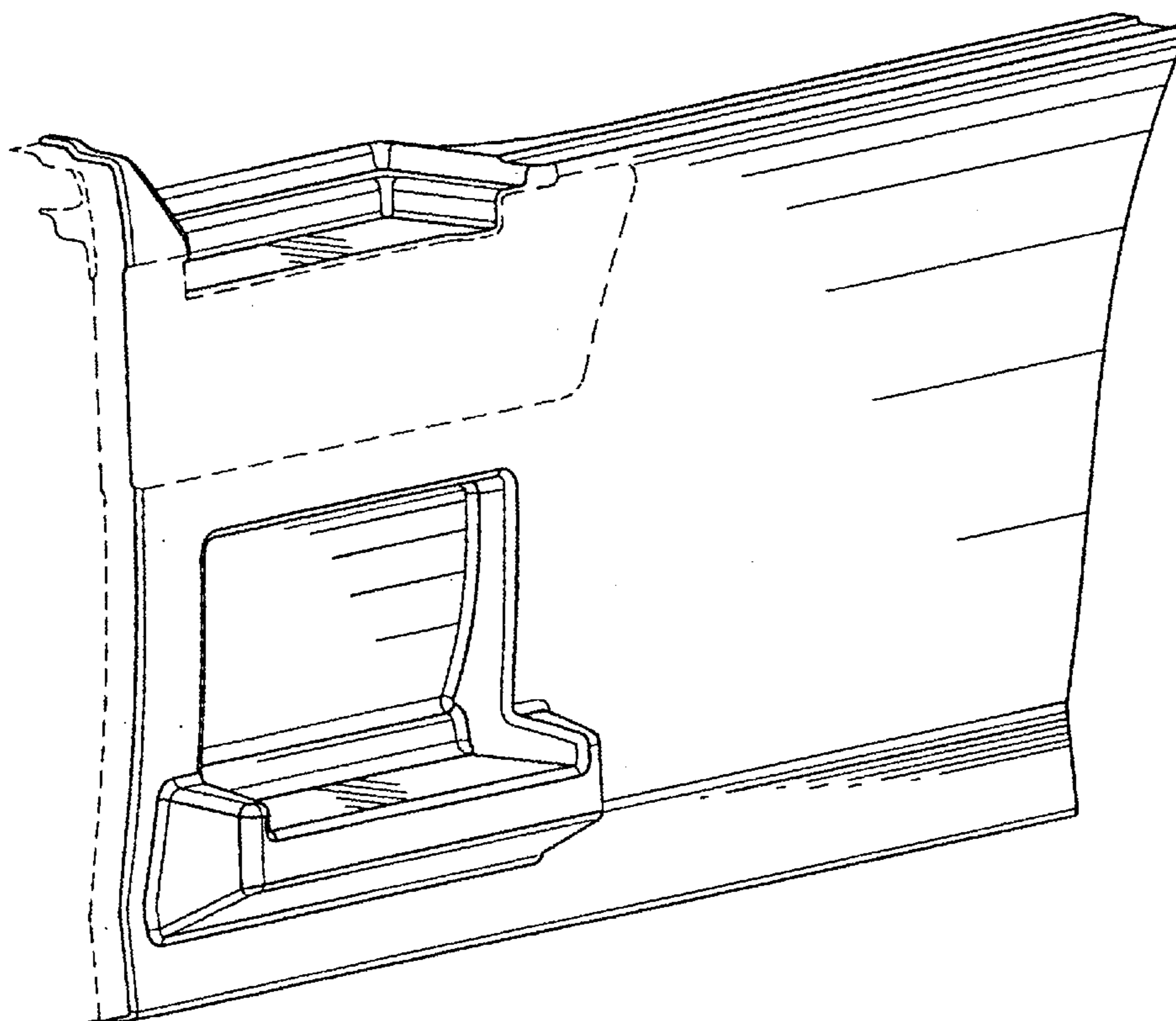
FIG. 6 is a rear elevational view of the fairing;

FIG. 7 is a left side elevational view of the fairing; and,

FIG. 8. is a bottom plan view of the fairing.

The broken lines shown are for illustrative purposes only and form no part of the claimed design.

1 Claim, 4 Drawing Sheets



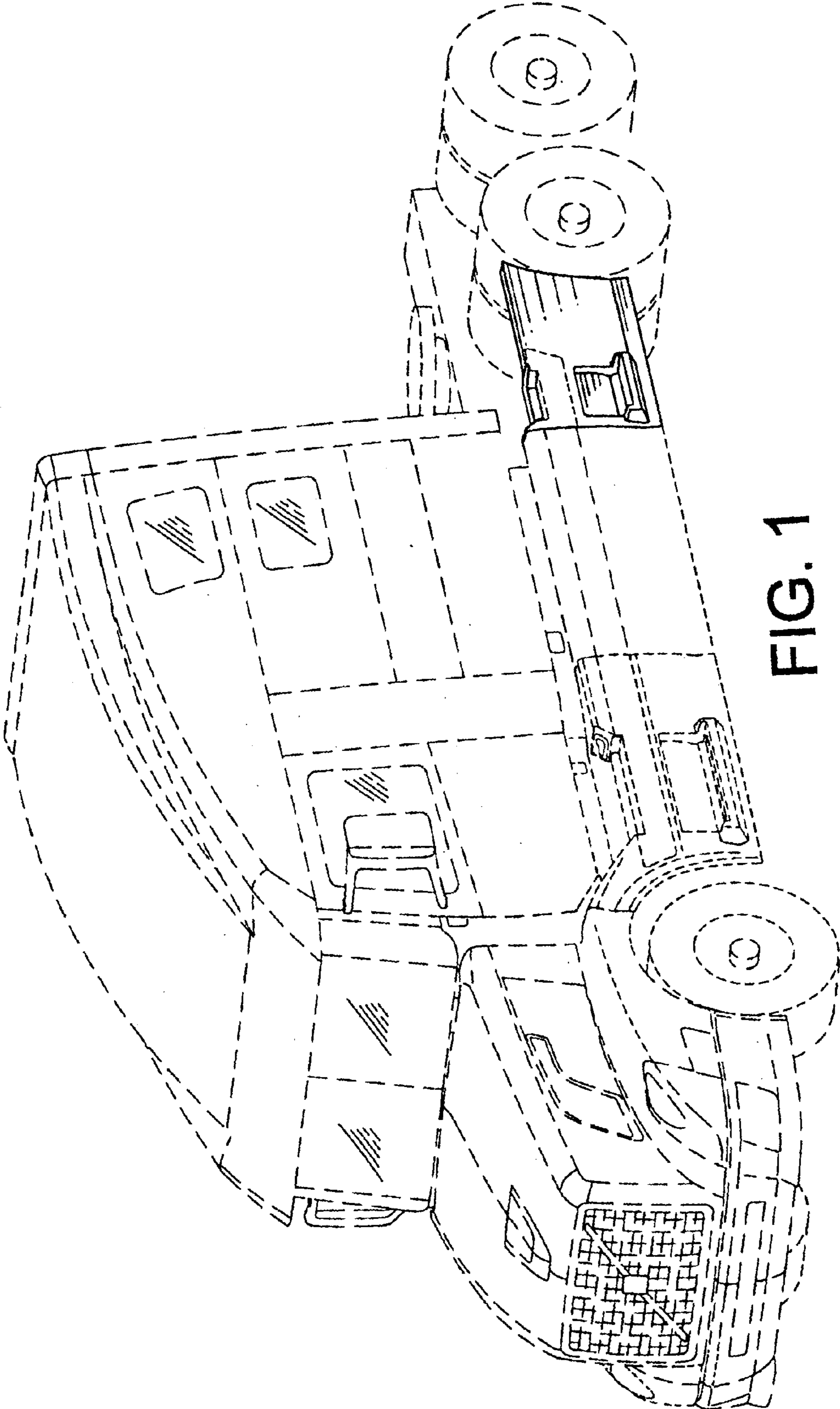


FIG. 1

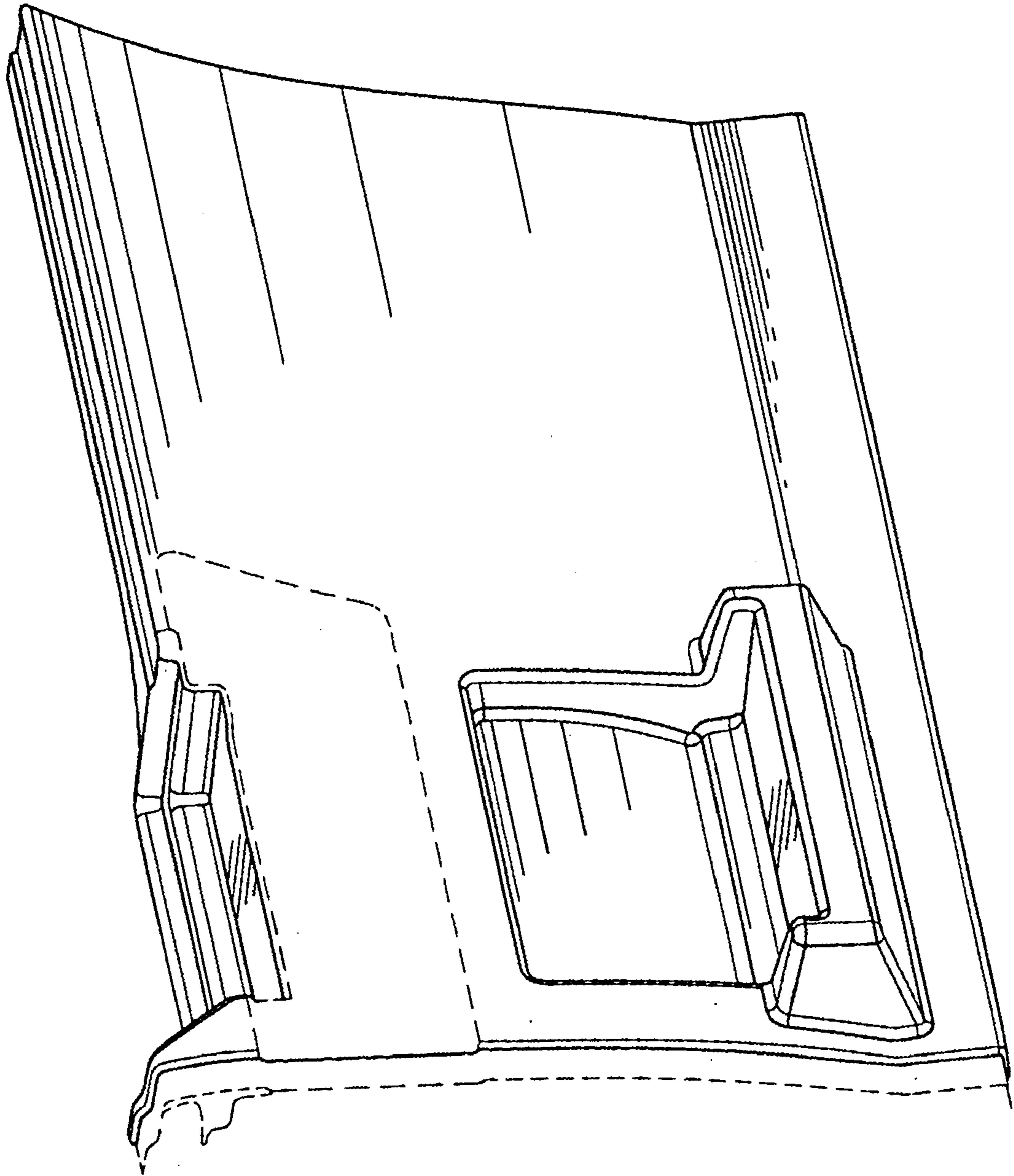


FIG. 2

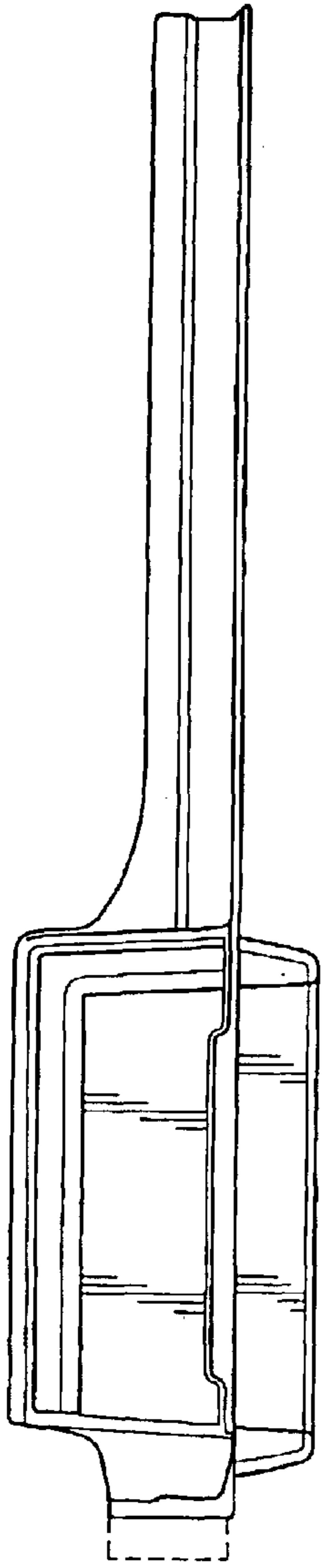


FIG. 3

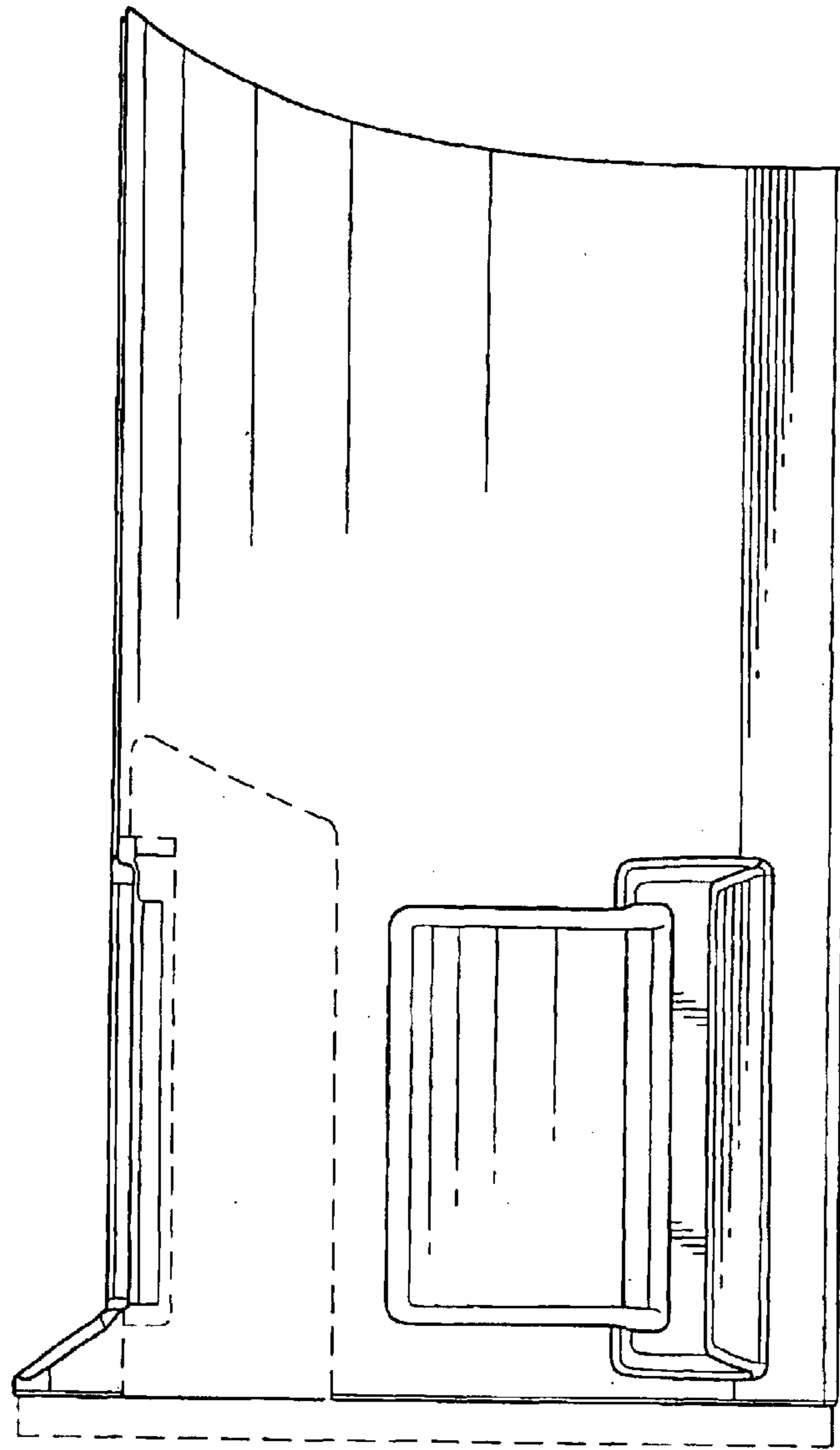


FIG. 5

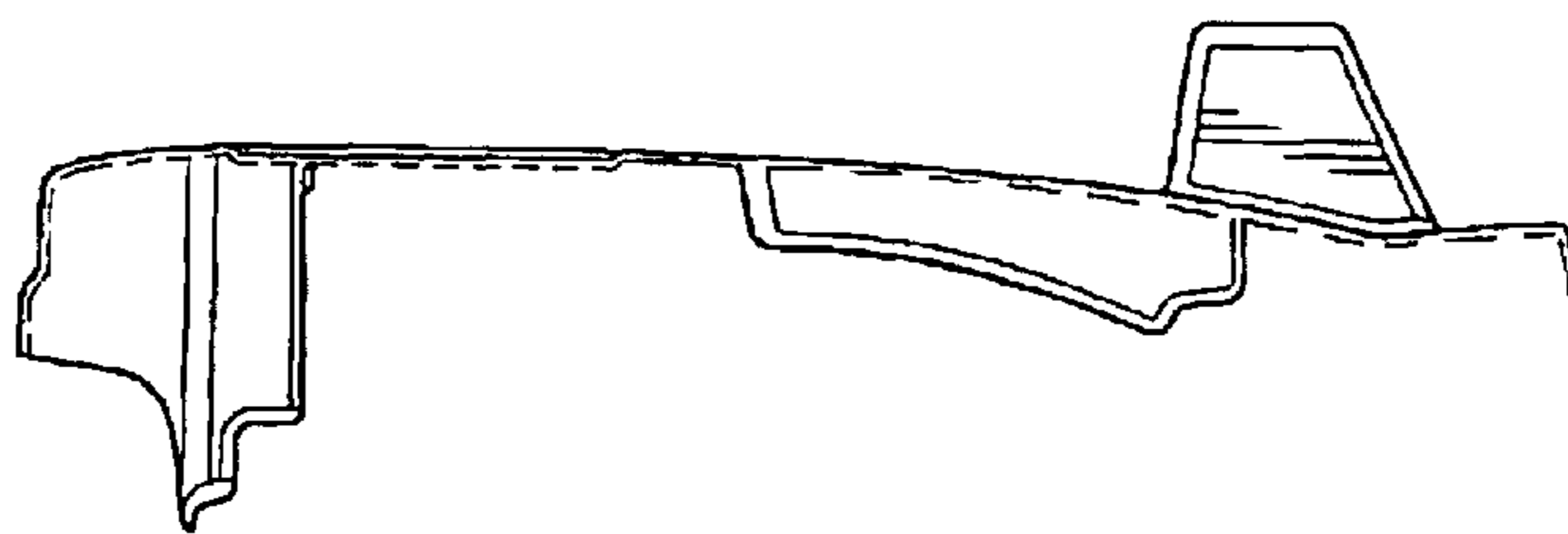


FIG. 4

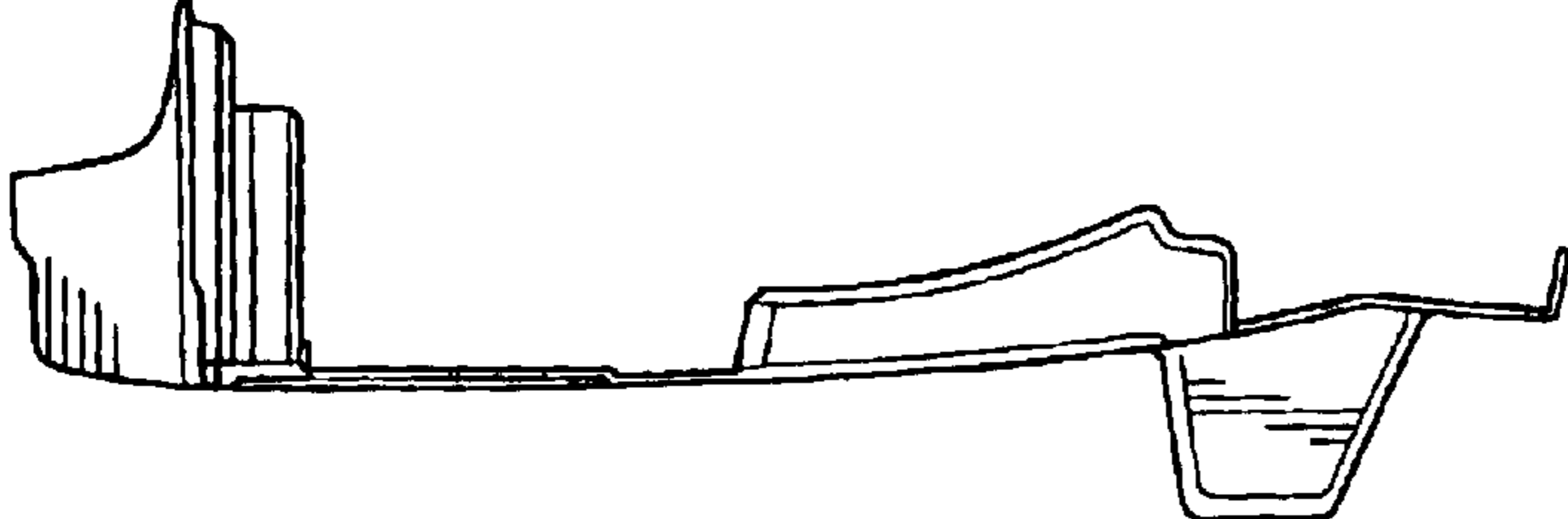
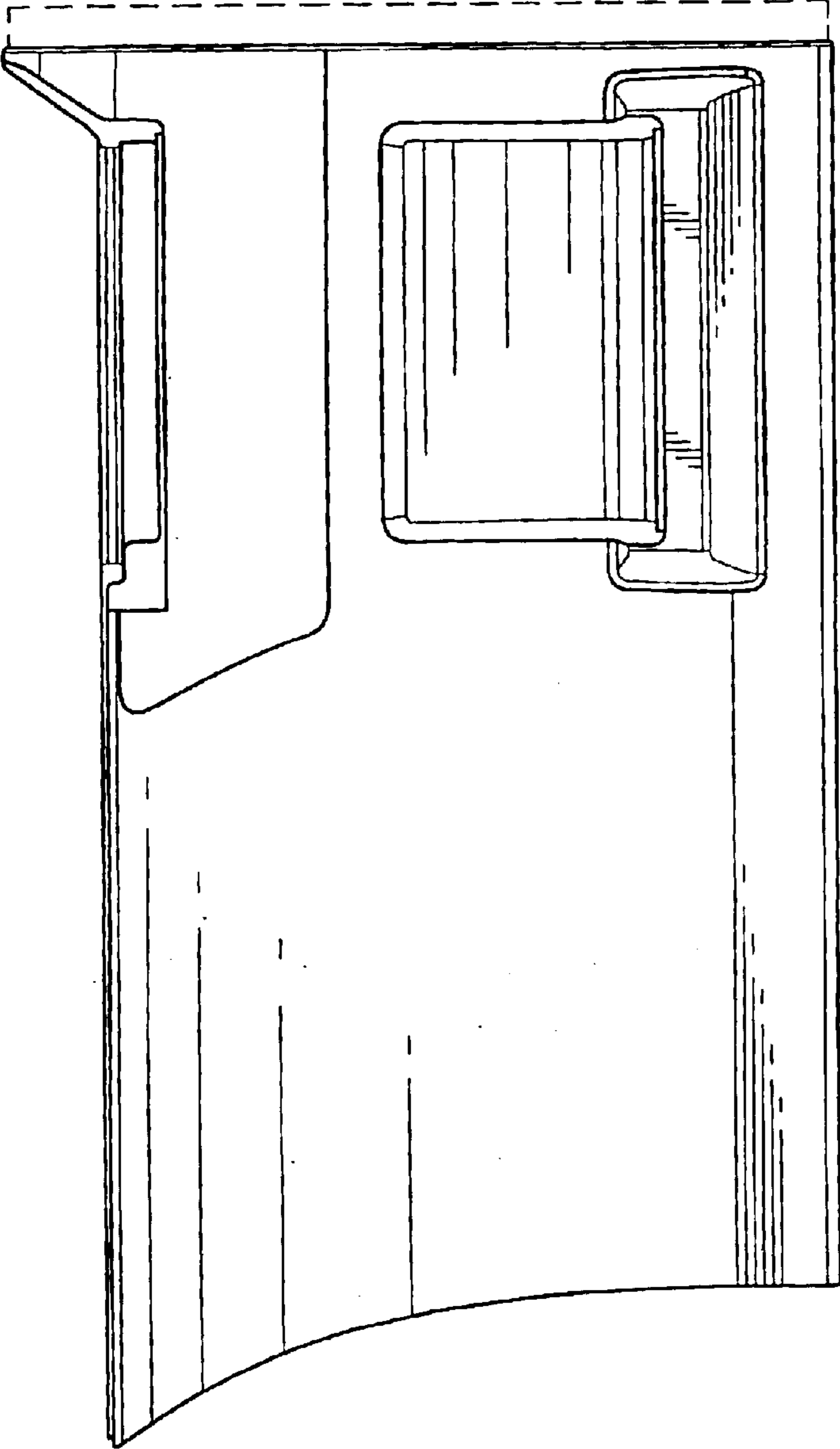


FIG. 6

FIG. 7

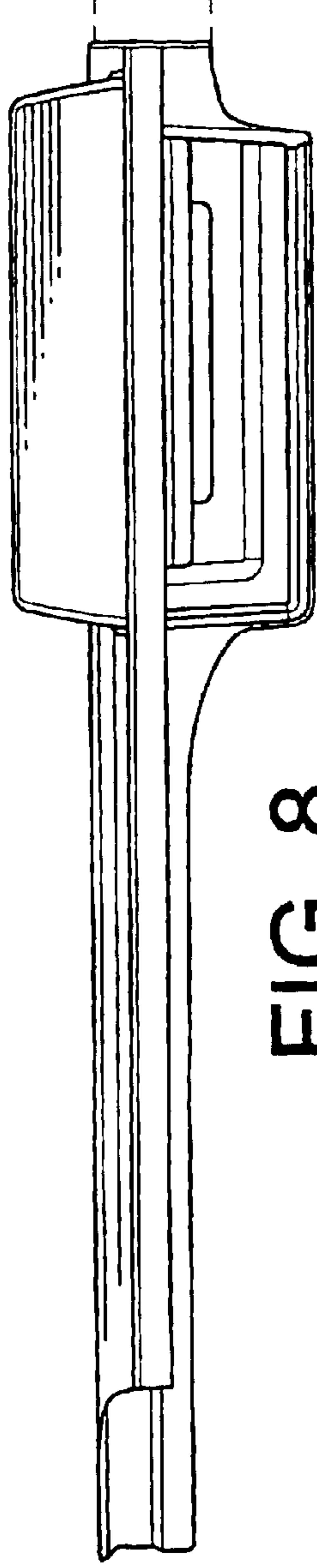


FIG. 8