



US00D491853S1

(12) **United States Design Patent**
Sato et al.

(10) **Patent No.:** **US D491,853 S**
(45) **Date of Patent:** **** Jun. 22, 2004**

(54) **INSTRUMENT FOR DISPLAYING INFORMATION FOR USE IN AN AUTOMOBILE**

D467,845 S * 12/2002 Pfeiffer et al. D12/192
D471,141 S * 3/2003 Hofmann et al. D12/192
D475,957 S * 6/2003 Machinek D12/192
D483,309 S * 12/2003 Wyszogrod D12/192

(75) Inventors: **Shigeyuki Sato**, Yokohama (JP);
Yasuyuki Nakagawa, Tokyo (JP)

* cited by examiner

(73) Assignee: **Calsonic Kansei Corporation**, Tokyo (JP)

Primary Examiner—Stacia Cadmus

(74) *Attorney, Agent, or Firm*—Chapman and Cutler LLP

(**) Term: **14 Years**

(57) **CLAIM**

(21) Appl. No.: **29/176,738**

The ornamental design for the instrument for displaying information for use in an automobile, as shown and described.

(22) Filed: **Feb. 25, 2003**

DESCRIPTION

(30) **Foreign Application Priority Data**

Aug. 27, 2002 (JP) 2002-22922

(51) **LOC (7) Cl.** **12-16**

(52) **U.S. Cl.** **D12/192**

(58) **Field of Search** D12/192; 180/90;
280/750-752; 296/190-191, 70; D10/46,
102, 98, 122-127

FIG. 1 is a front elevational view of the instrument, showing our new design;

FIG. 2 is a left side elevational view thereof, it being understood that the right side is mirror image thereof;

FIG. 3 is a top plan view thereof;

FIG. 4 is a bottom plan view thereof;

FIG. 5 is a section view taken along line 5—5 in FIG. 1;

FIG. 6 is a section view taken along line 6—6 in FIG. 1; and,

FIG. 7 is a perspective view thereof.

The sectional views are included to clarify the shape of the design. The broken lines in the drawings are for illustrative purposes only and form no part of the claimed design.

(56) **References Cited**

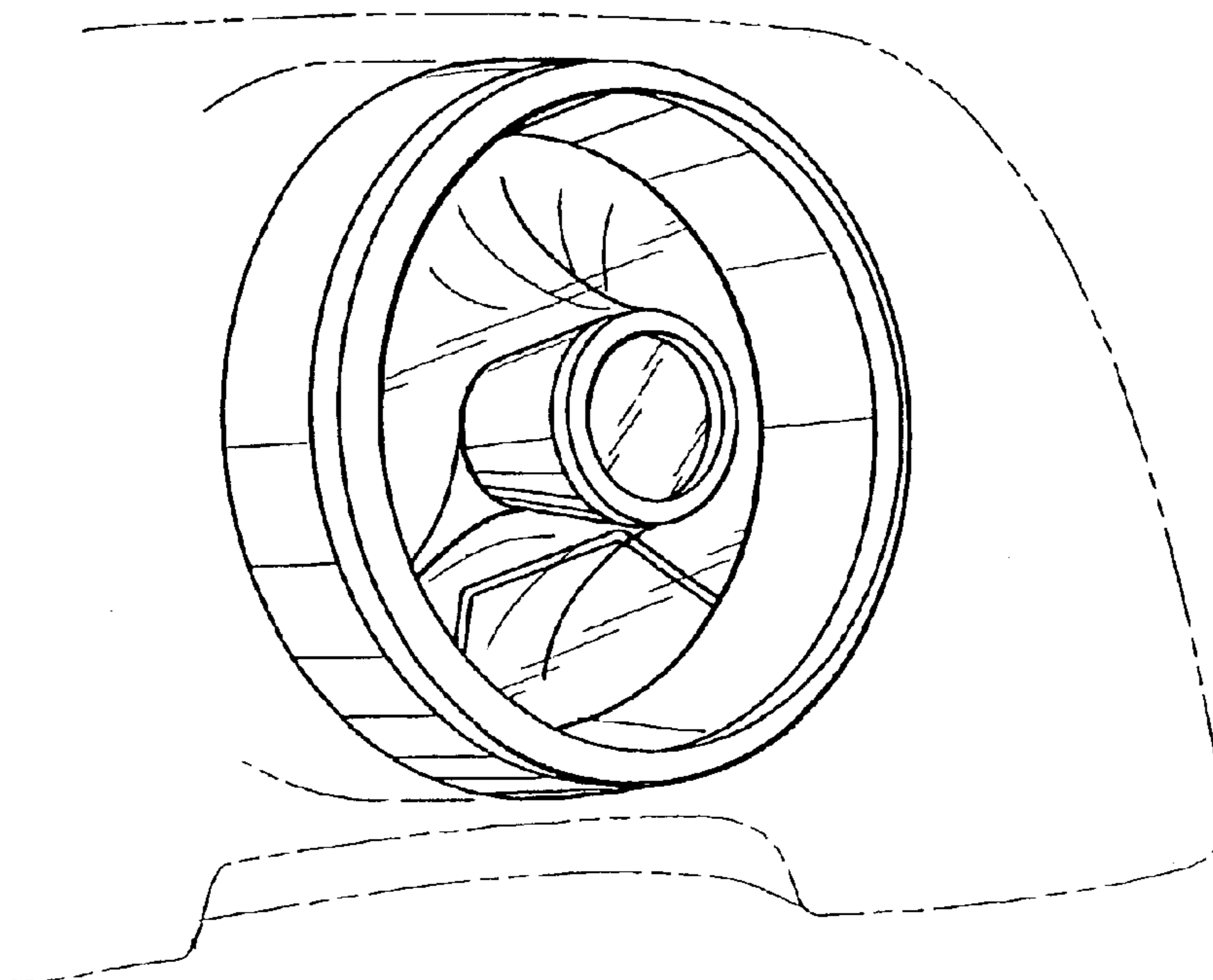
U.S. PATENT DOCUMENTS

D180,845 S * 8/1957 Rintelmann D10/98

D381,614 S * 7/1997 Ma D12/192

D413,294 S * 8/1999 Lagaay D12/192

1 Claim, 2 Drawing Sheets



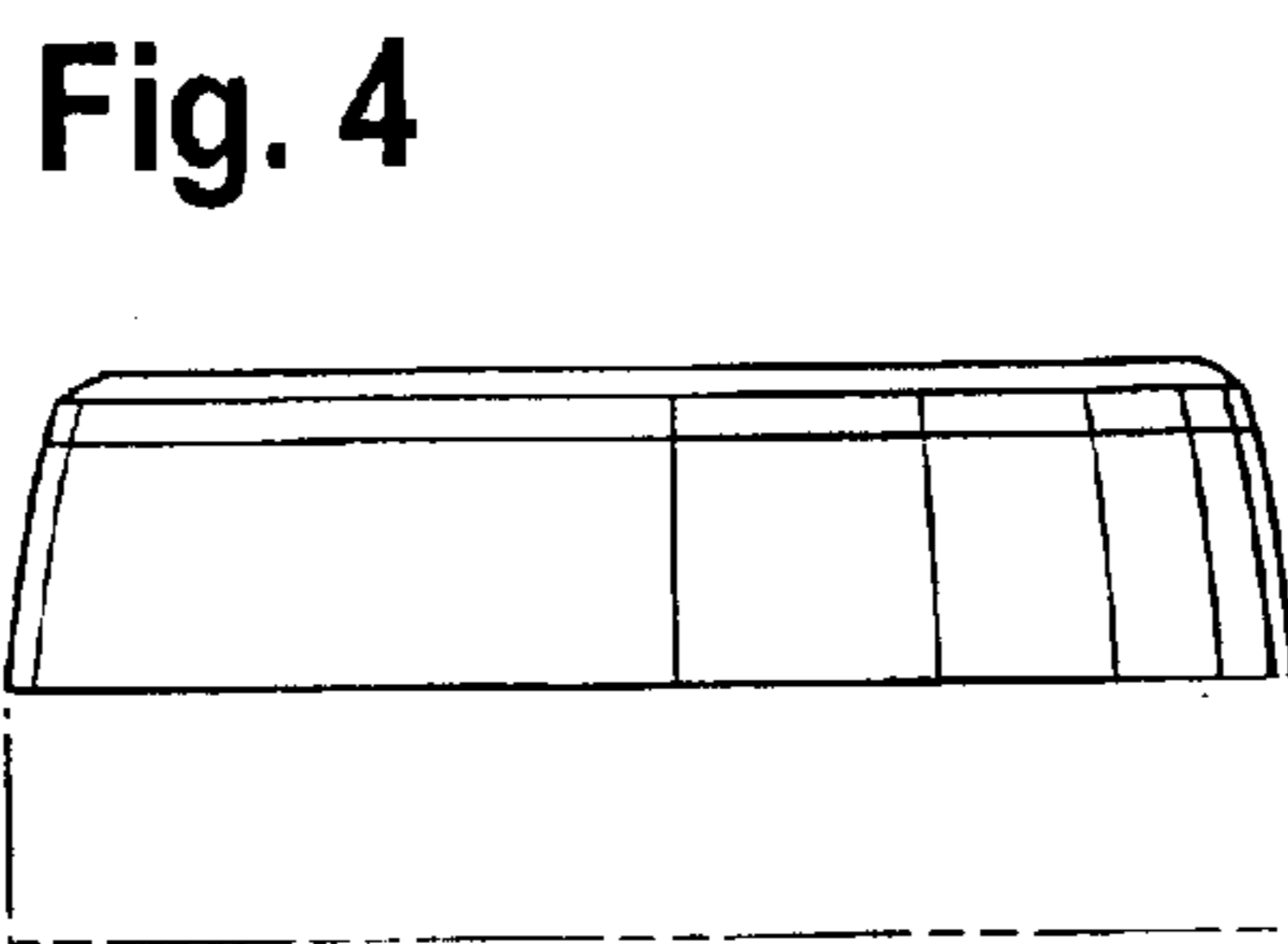
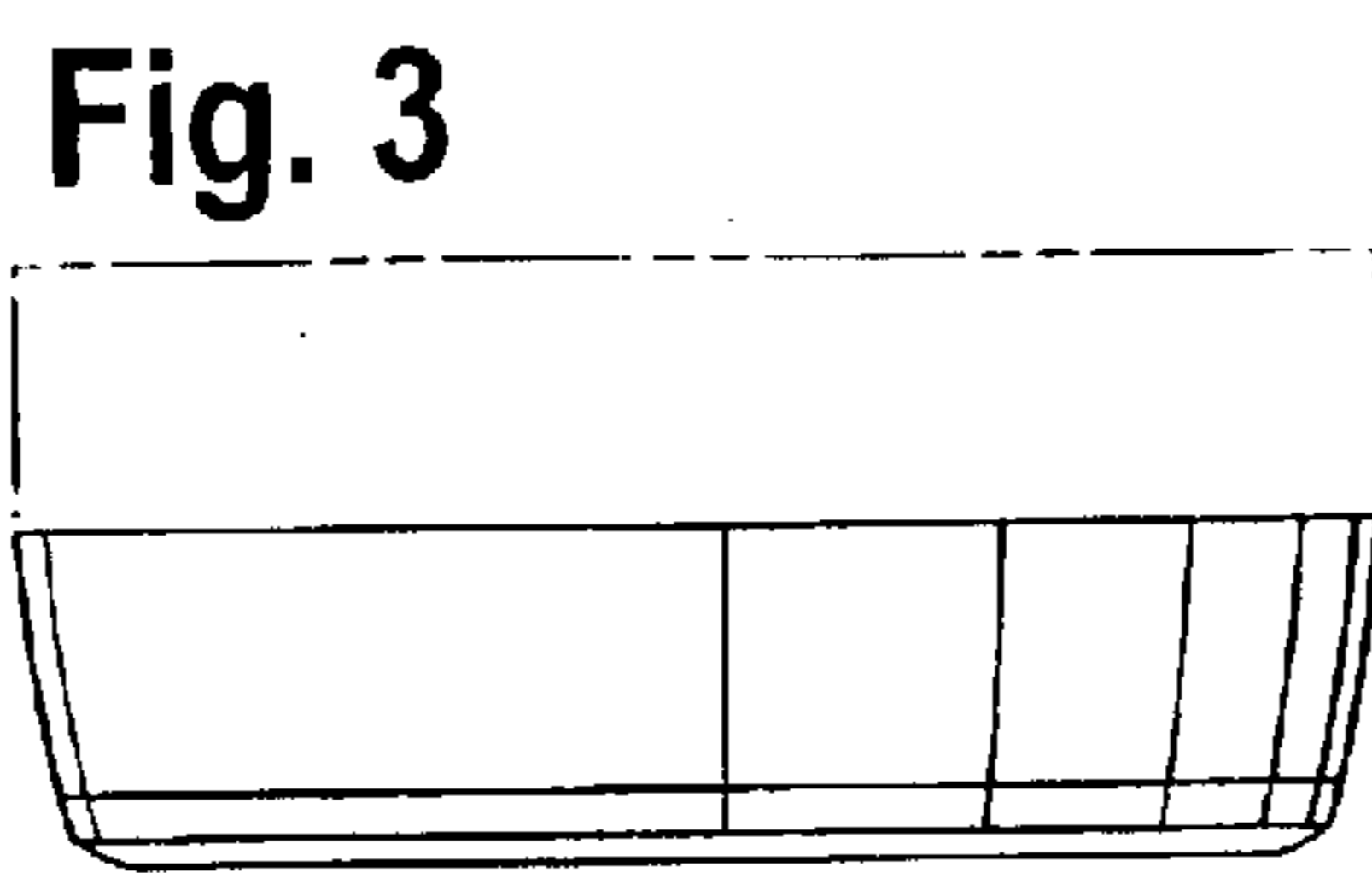
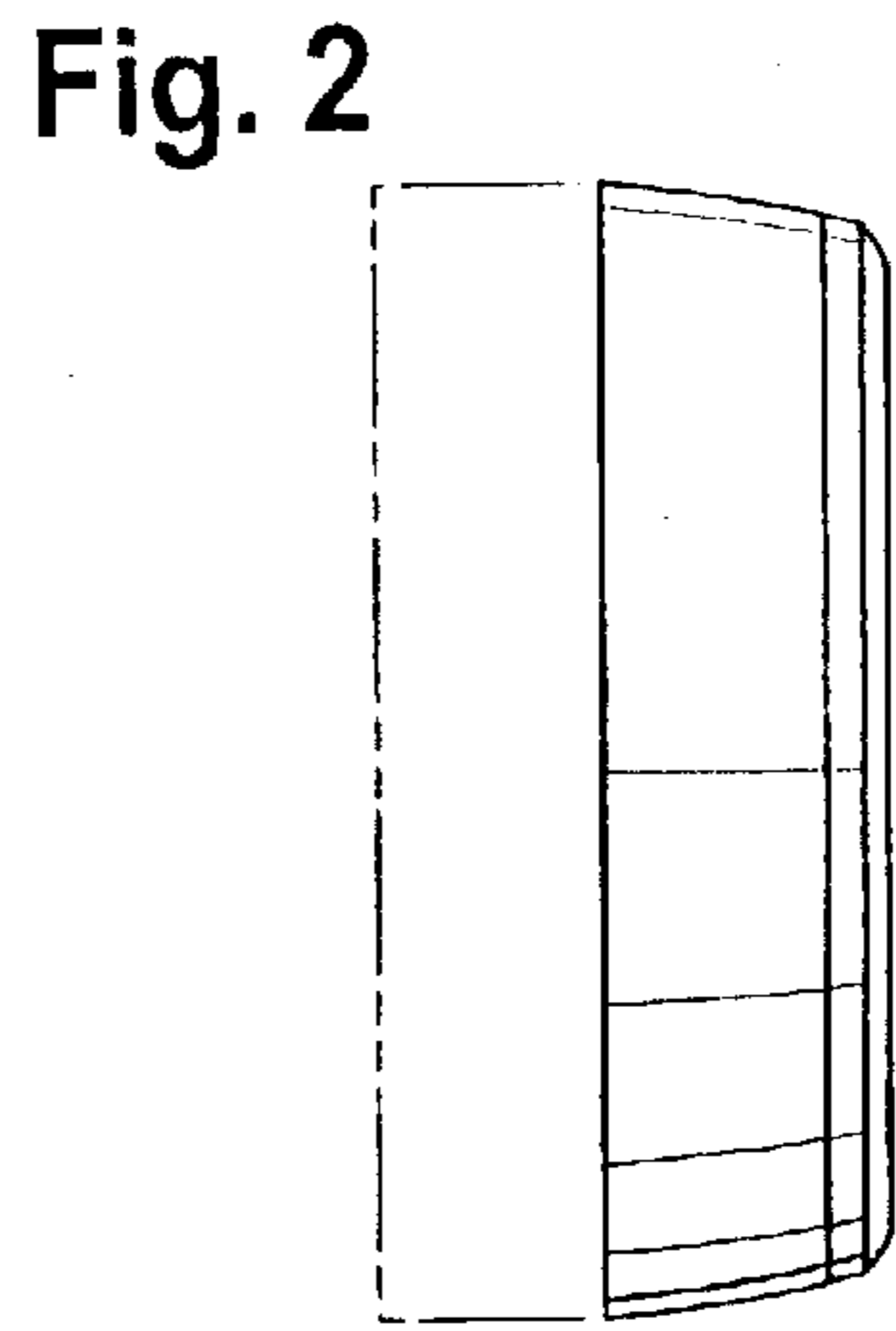
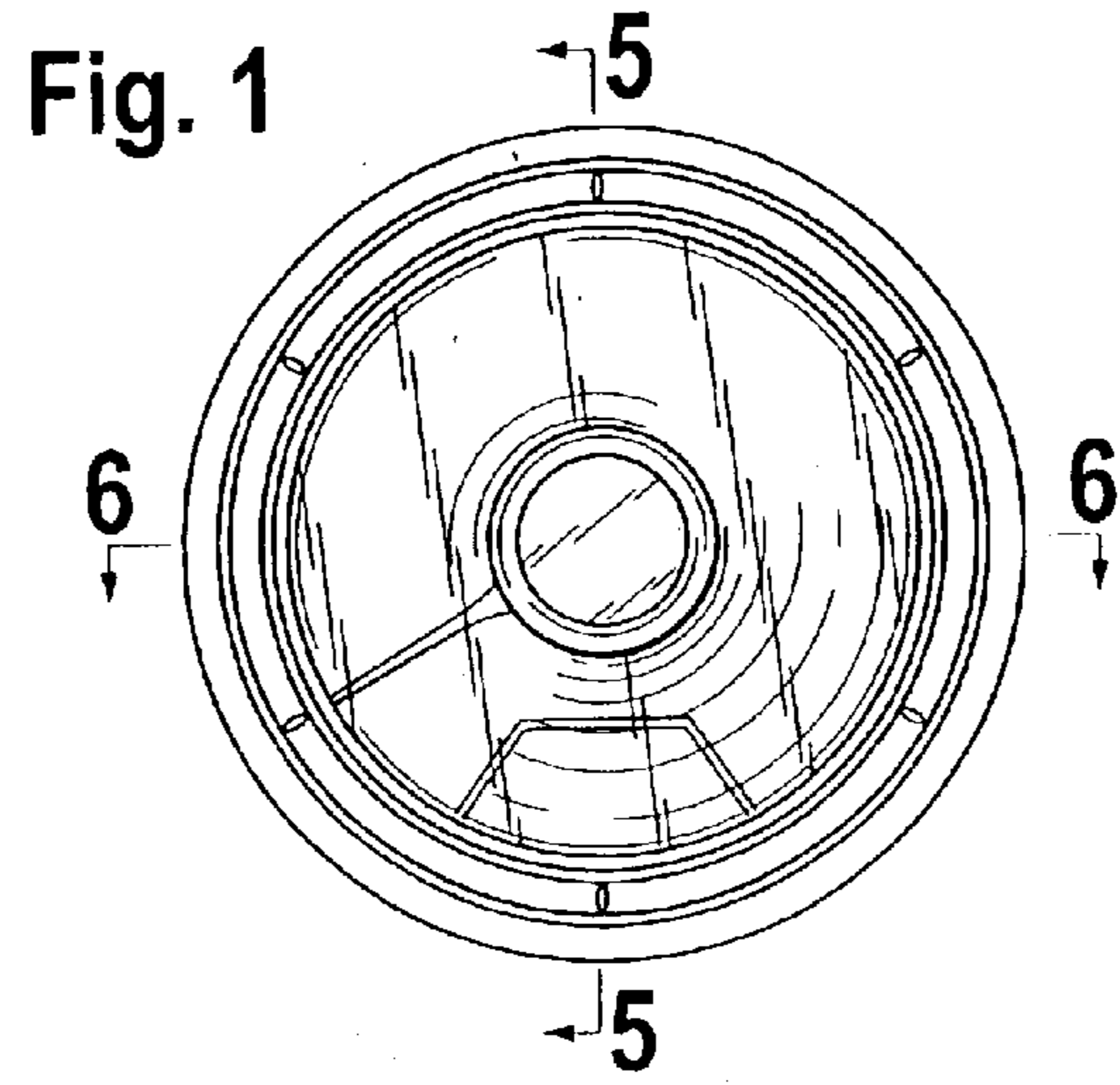


Fig. 5

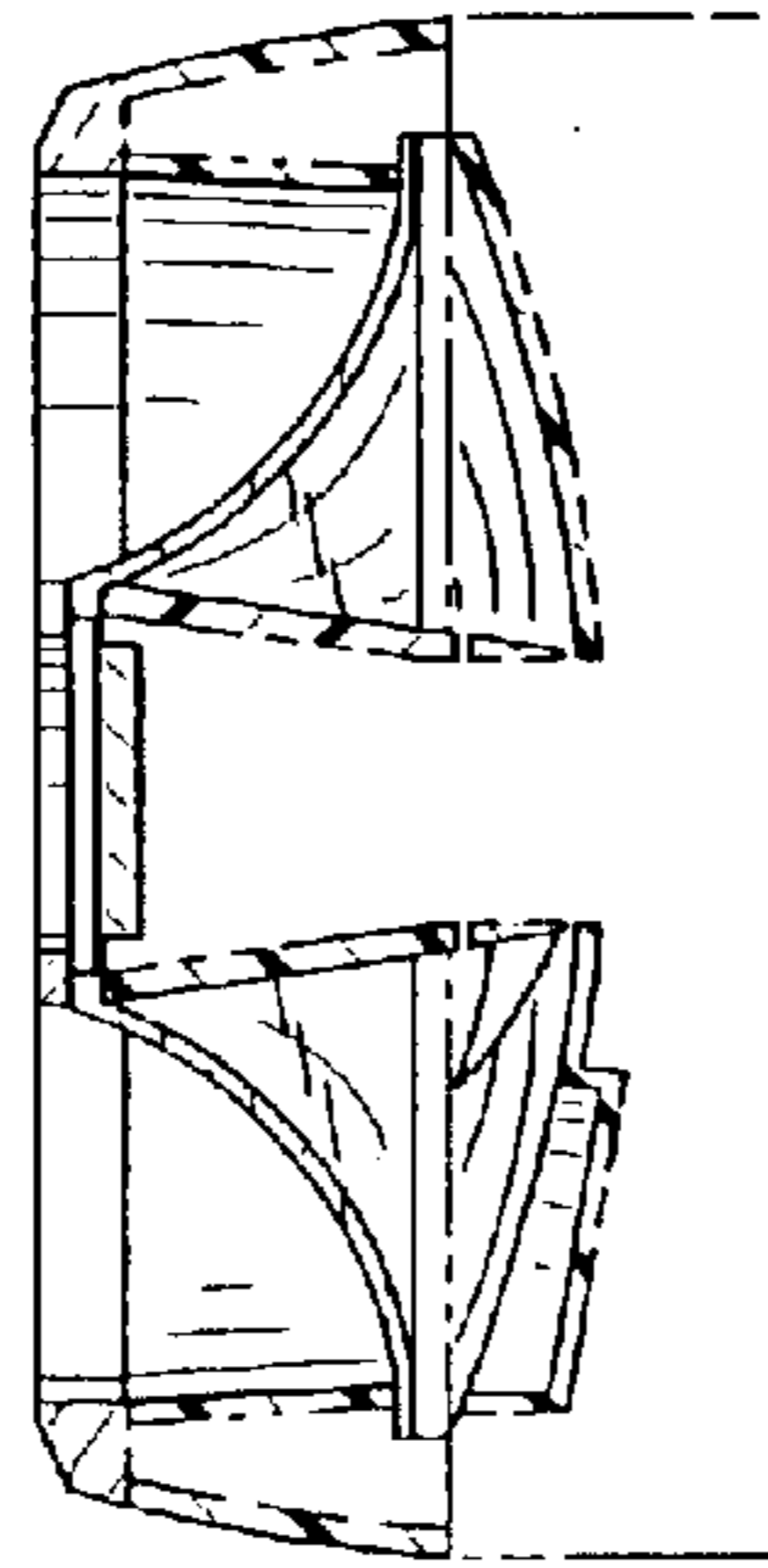


Fig. 6

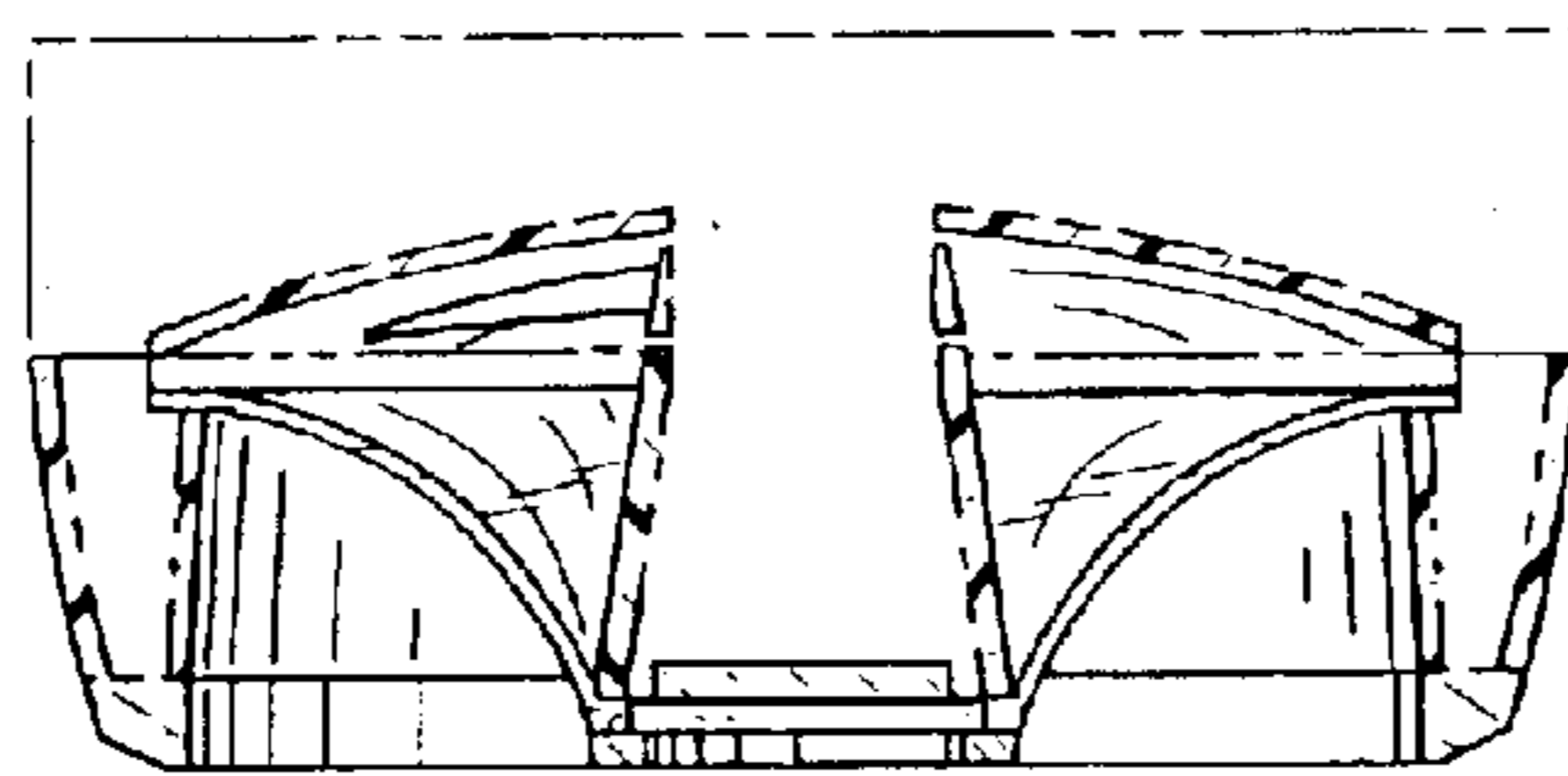


Fig. 7

