

US00D491847S1

(12) **United States Design Patent**
Velazco

(10) **Patent No.:** **US D491,847 S**
(45) **Date of Patent:** **** Jun. 22, 2004**

(54) **SURFACE CONFIGURATION OF PIECES OR MEMBERS OF A RADIATOR GRILL**

D469,040 S * 1/2003 Warming D12/163
D474,428 S * 5/2003 Hill et al. D12/163

(75) Inventor: **Geoffrey Antenor Velazco**, Venice, CA (US)

* cited by examiner

Primary Examiner—Melody N. Brown

(73) Assignee: **Bayerische Motoren Werke Aktiengesellschaft**, Munich (DE)

(74) *Attorney, Agent, or Firm*—Crowell & Moring LLP

(**) Term: **14 Years**

(57) **CLAIM**

The ornamental design for a surface configuration of pieces or members of a radiator grill, as shown and described.

(21) Appl. No.: **29/180,268**

DESCRIPTION

(22) Filed: **Apr. 22, 2003**

This application is related to co-pending Application Ser. No. 29/180,269, of the inventor, entitled "Surface Configuration of a Vehicle, Toy and/or Other Replicas".

(30) **Foreign Application Priority Data**

Oct. 23, 2002 (DE) 402 08 872

FIG. 1 is a front view of a surface configuration of pieces or members of a radiator grill according to my novel design; FIG. 2 is a left perspective view of the surface configuration of pieces or members of a radiator grill according to my novel design;

(51) **LOC (7) Cl.** **12-16**

(52) **U.S. Cl.** **D12/163**

(58) **Field of Search** D12/163, 196, D12/171, 90-92; 180/68.1, 68.6; 293/115, 120

FIG. 3 is a right perspective view of the surface configuration of pieces or members of a radiator grill according to my novel design; and,

(56) **References Cited**

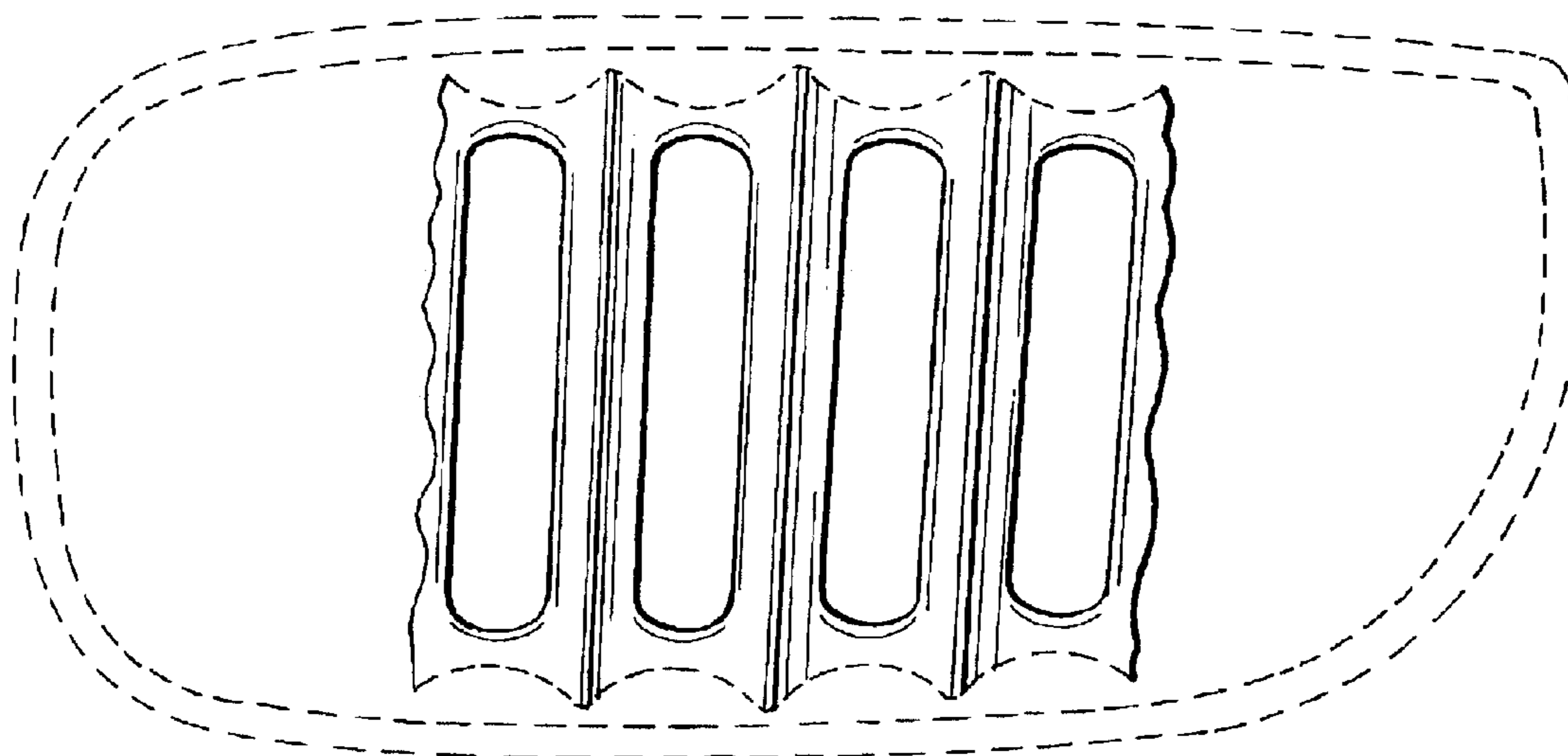
U.S. PATENT DOCUMENTS

D361,968 S * 9/1995 Oyama D12/163
D424,992 S * 5/2000 Faurote D12/163
D429,195 S * 8/2000 Gabath D12/163
D452,464 S * 12/2001 Beigel D12/163

FIG. 4 is a top perspective view of the surface configuration of pieces or members of a radiator grill according to my novel design.

The broken lines are for illustrative purposes only and form no part of the claimed design.

1 Claim, 2 Drawing Sheets



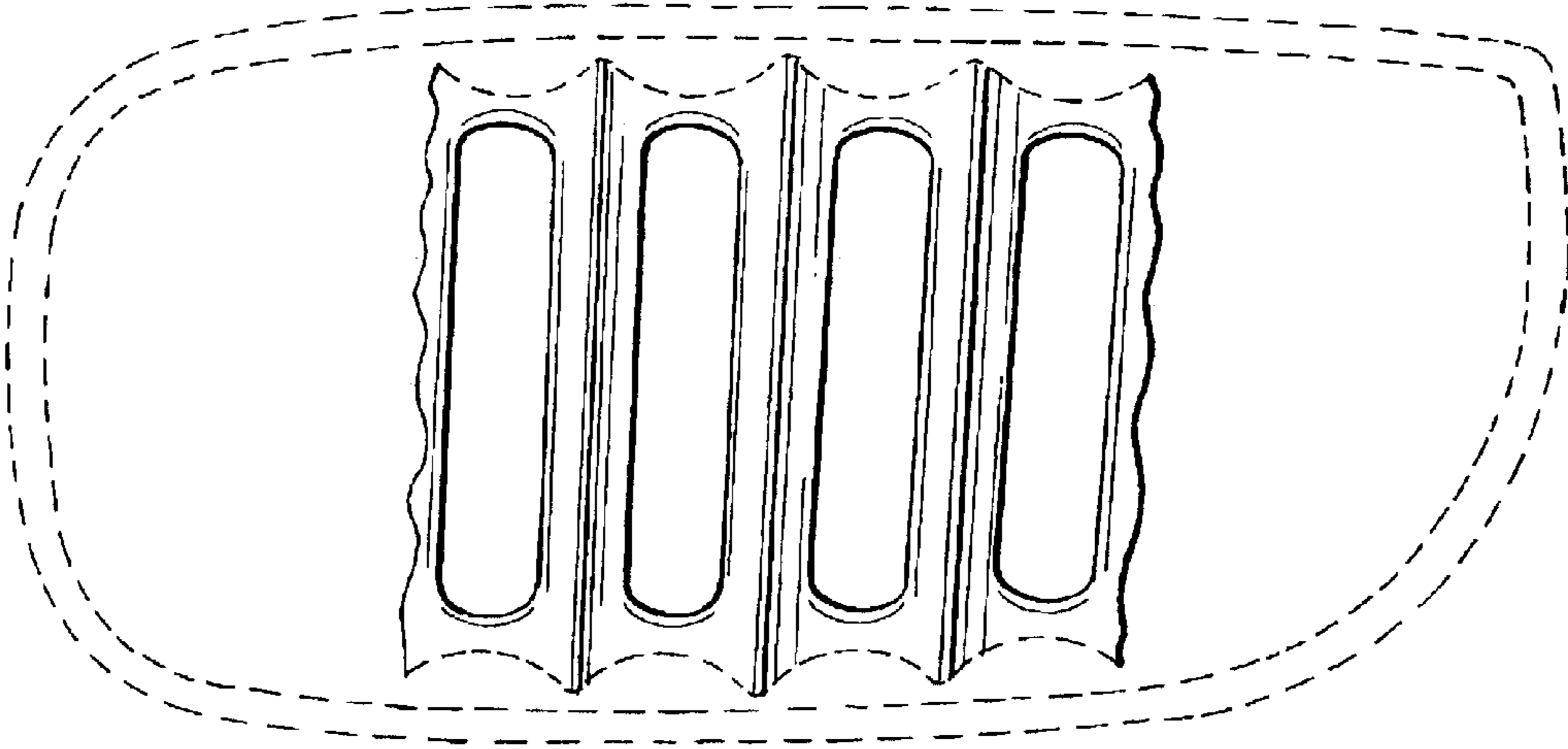


FIG. 1

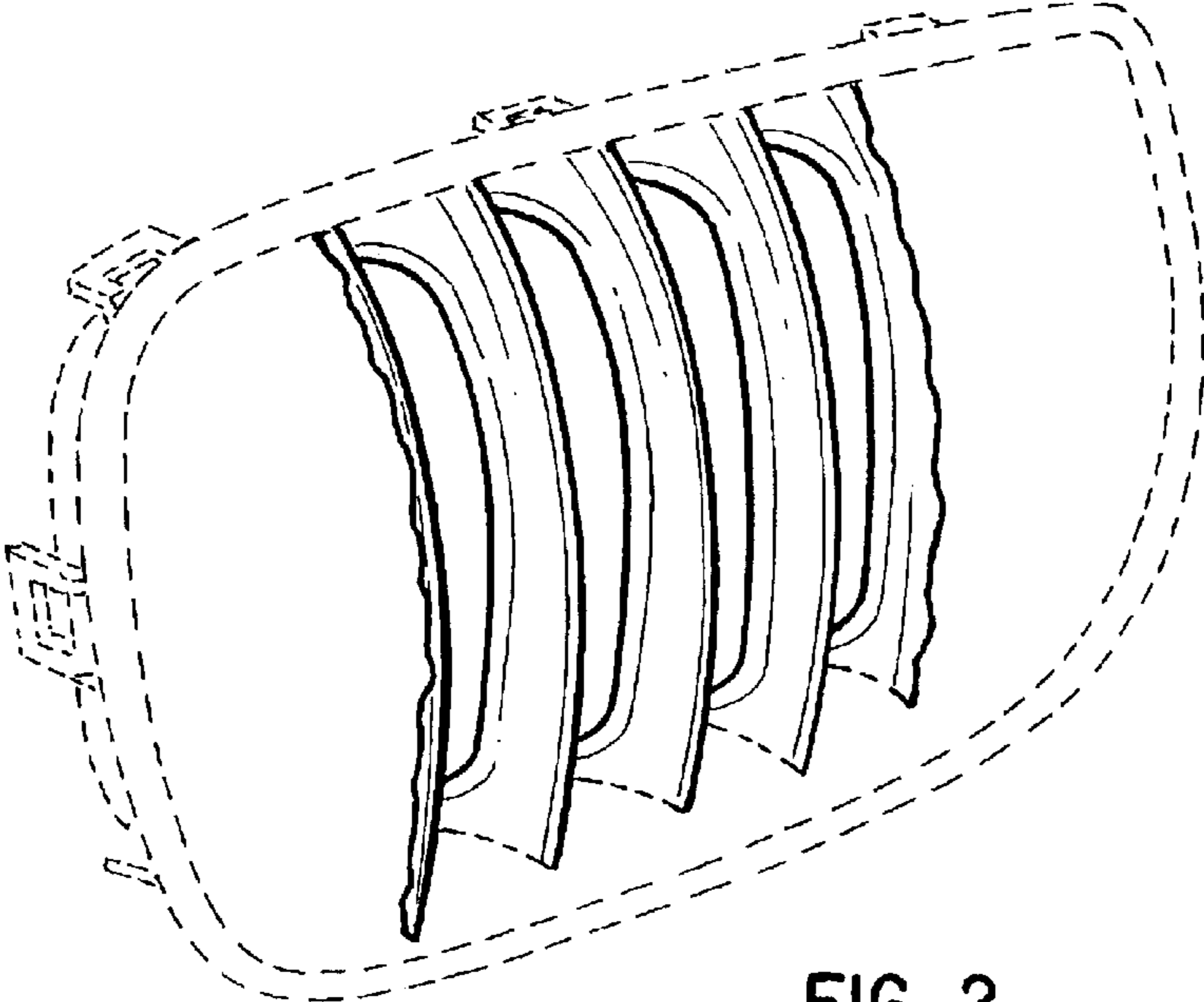


FIG. 2

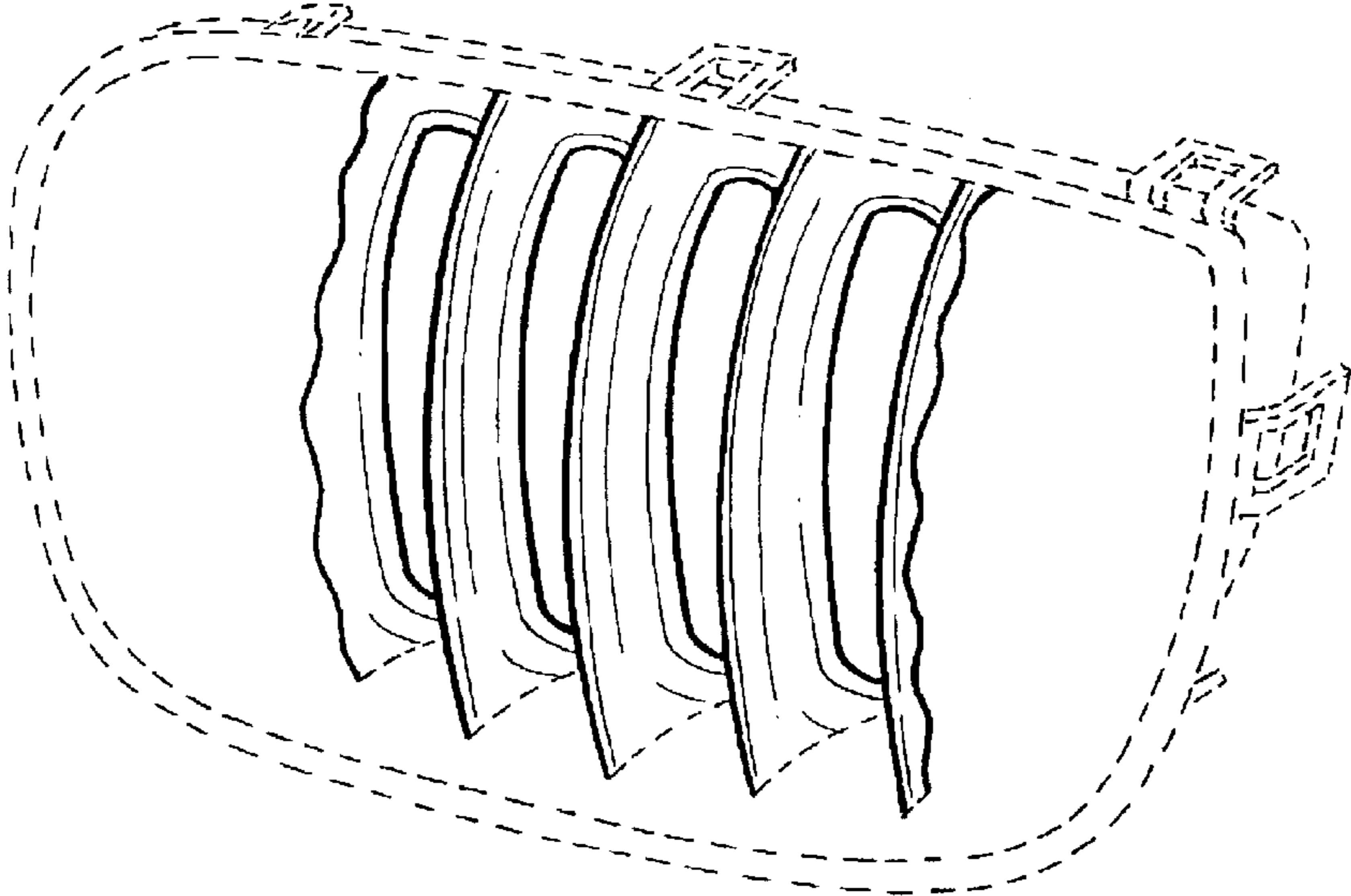


FIG. 3

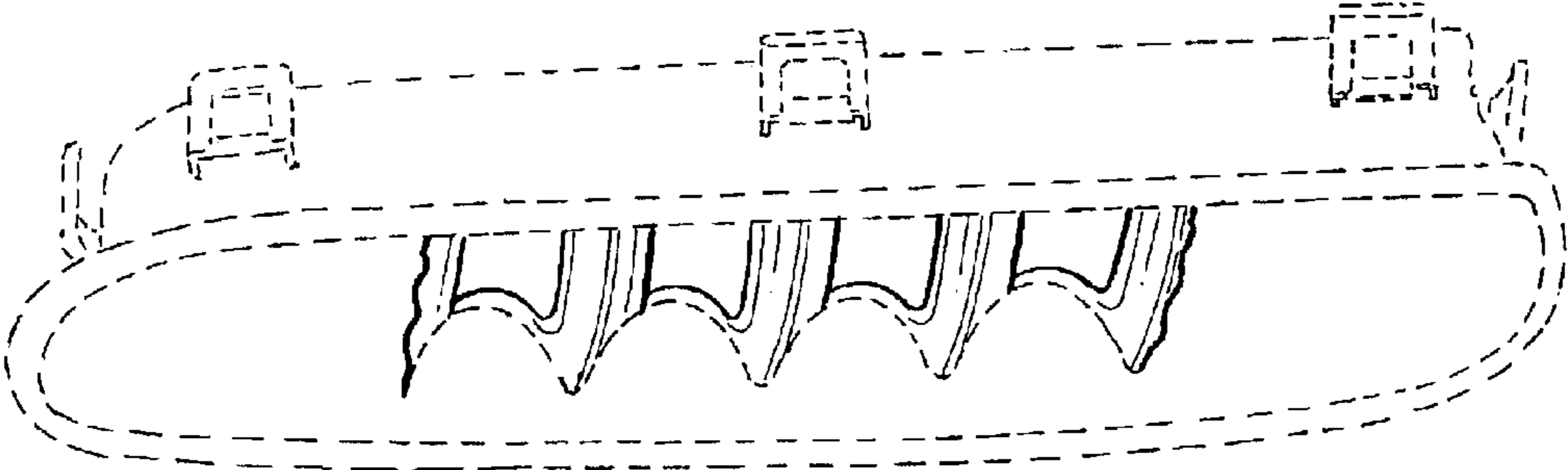


FIG. 4