



US00D491845S1

(12) **United States Design Patent**
Savage

(10) **Patent No.:** **US D491,845 S**
(45) **Date of Patent:** **** Jun. 22, 2004**

(54) **MOTORCYCLE CALIPER HOUSING**

(75) Inventor: **Frank Savage**, Trenton, WI (US)

(73) Assignee: **Harley Davidson Motor Company Group, Inc.**, Milwaukee, WI (US)

(**) Term: **14 Years**

(21) Appl. No.: **29/177,119**

(22) Filed: **Mar. 3, 2003**

(51) **LOC (7) Cl.** **12-11**

(52) **U.S. Cl.** **D12/126**

(58) **Field of Search** D12/110, 114,
D12/126, 180; 180/219; 280/288.4, 304.3;
188/24.11-24.22, 71.1, 73.31, 73.45

(56) **References Cited**

U.S. PATENT DOCUMENTS

D413,292 S * 8/1999 Jones D12/180

OTHER PUBLICATIONS

V-Twin, 1993 Uniquely V-Twin Manufacturing Catalog, p. 191, published prior to Jan. 1, 1994.

Harley-Davidson, 1993-94 Sportster Five-Speed/Belt Drive Parts Catalog—All Models, Part. No. 99451-94, pp. 44 and 52, published prior to Jan. 1, 1994.

CustomChrome, 94 Custom Chrome Catalog, pp. 480-484 and two non-numbered pages, published prior to Jan. 1, 1995.

* cited by examiner

Primary Examiner—Alan P. Douglas

Assistant Examiner—Linda Brooks

(74) *Attorney, Agent, or Firm*—Michael Best & Friedrich, LLP

(57) **CLAIM**

I claim the ornamental design for a motorcycle caliper housing, as shown and described in FIGS. 1-7.

DESCRIPTION

FIG. 1 is a perspective view of a motorcycle caliper housing according to the invention;

FIG. 2 is a front view of the motorcycle caliper housing of FIG. 1;

FIG. 3 is a top view of the motorcycle caliper housing of FIG. 1;

FIG. 4 is a side view of the motorcycle caliper housing of FIG. 1;

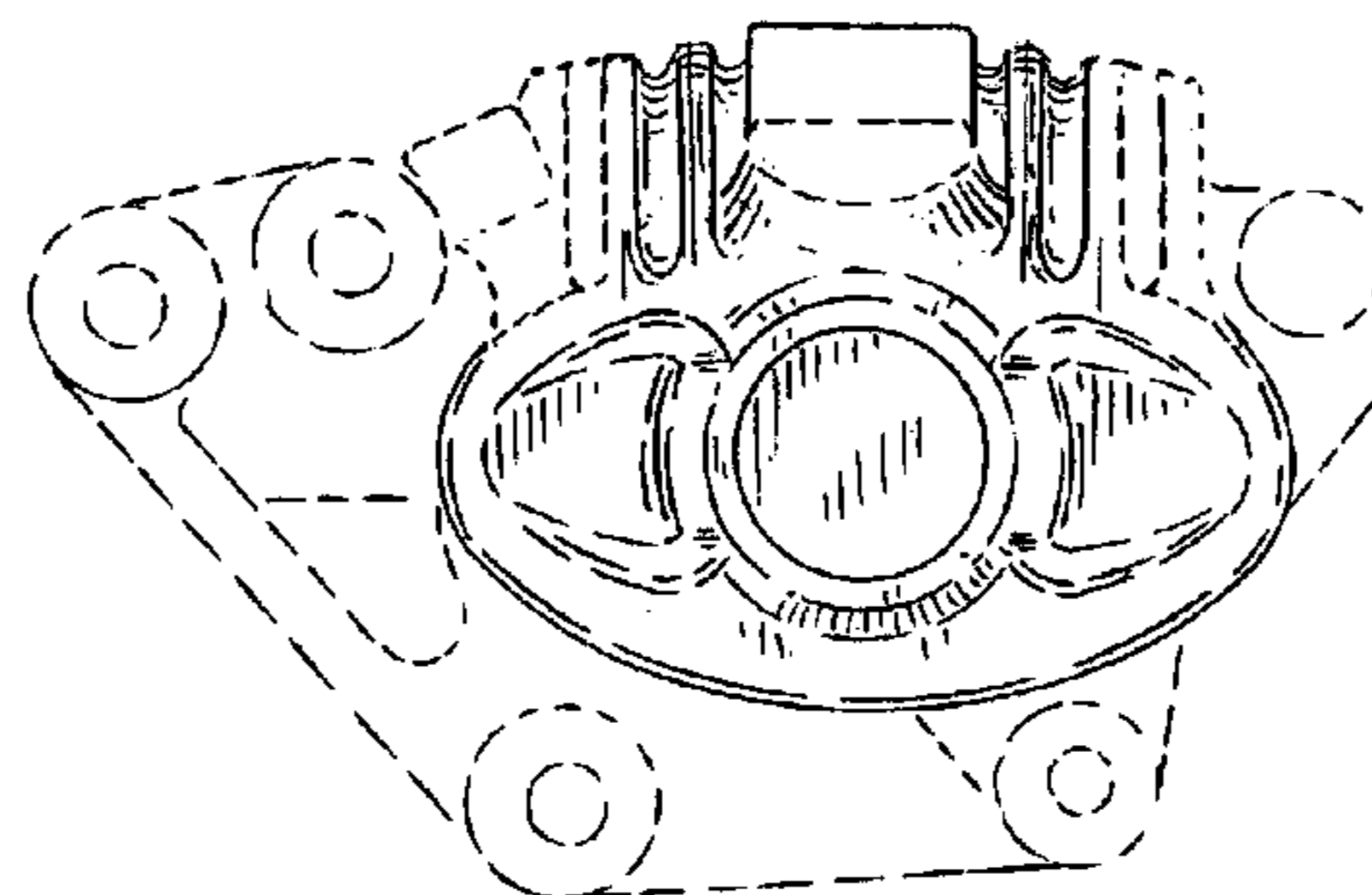
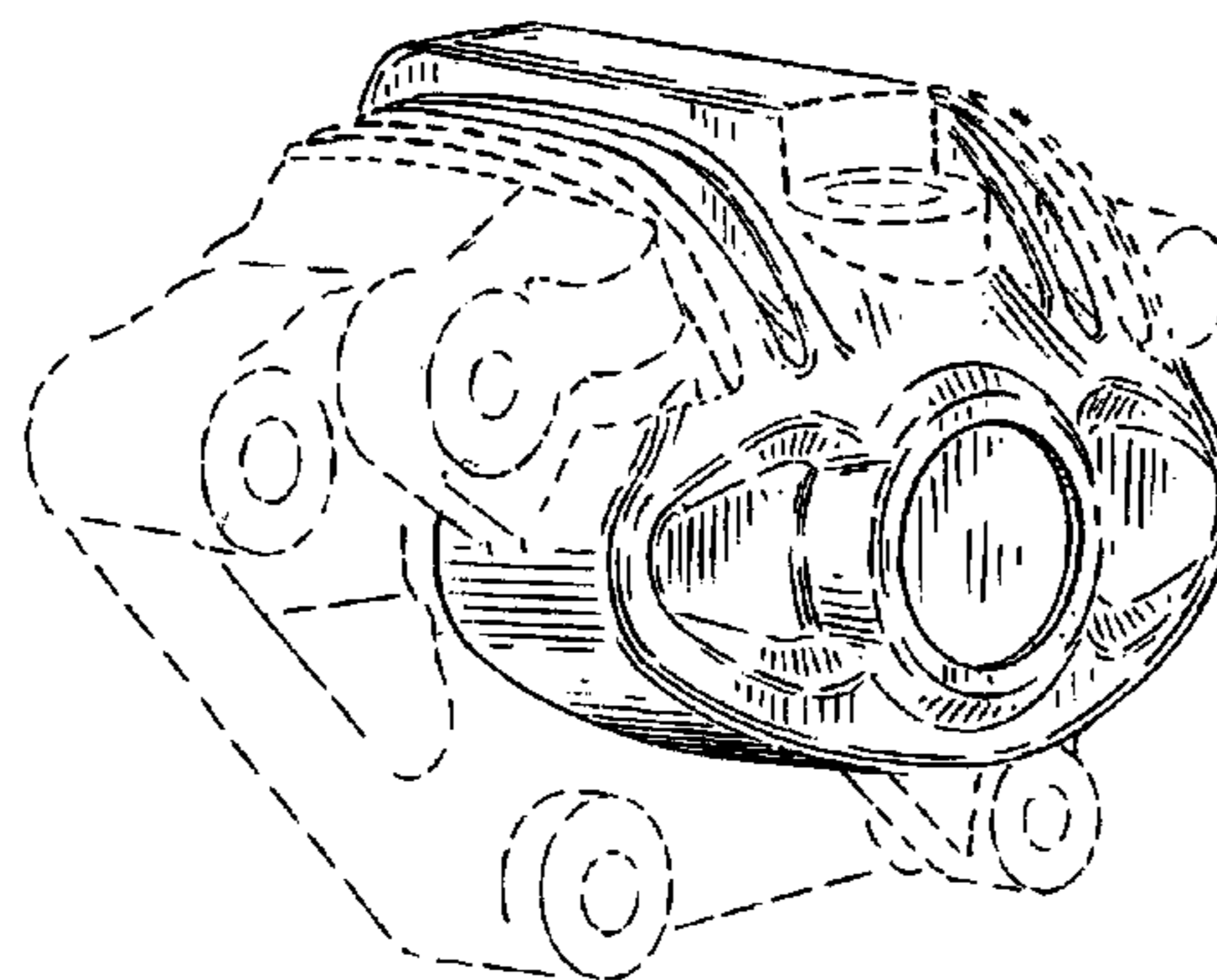
FIG. 5 is an opposite side view of the motorcycle caliper housing of FIG. 1;

FIG. 6 is a bottom view of the motorcycle caliper housing of FIG. 1; and,

FIG. 7 is a rear view of the motorcycle caliper housing of FIG. 1.

The broken line showing of the environment is for illustrative purposes only and forms no part of the claimed design. Also, the broken lines which define the boundaries of the motorcycle caliper housing form no part of the claimed design.

1 Claim, 4 Drawing Sheets



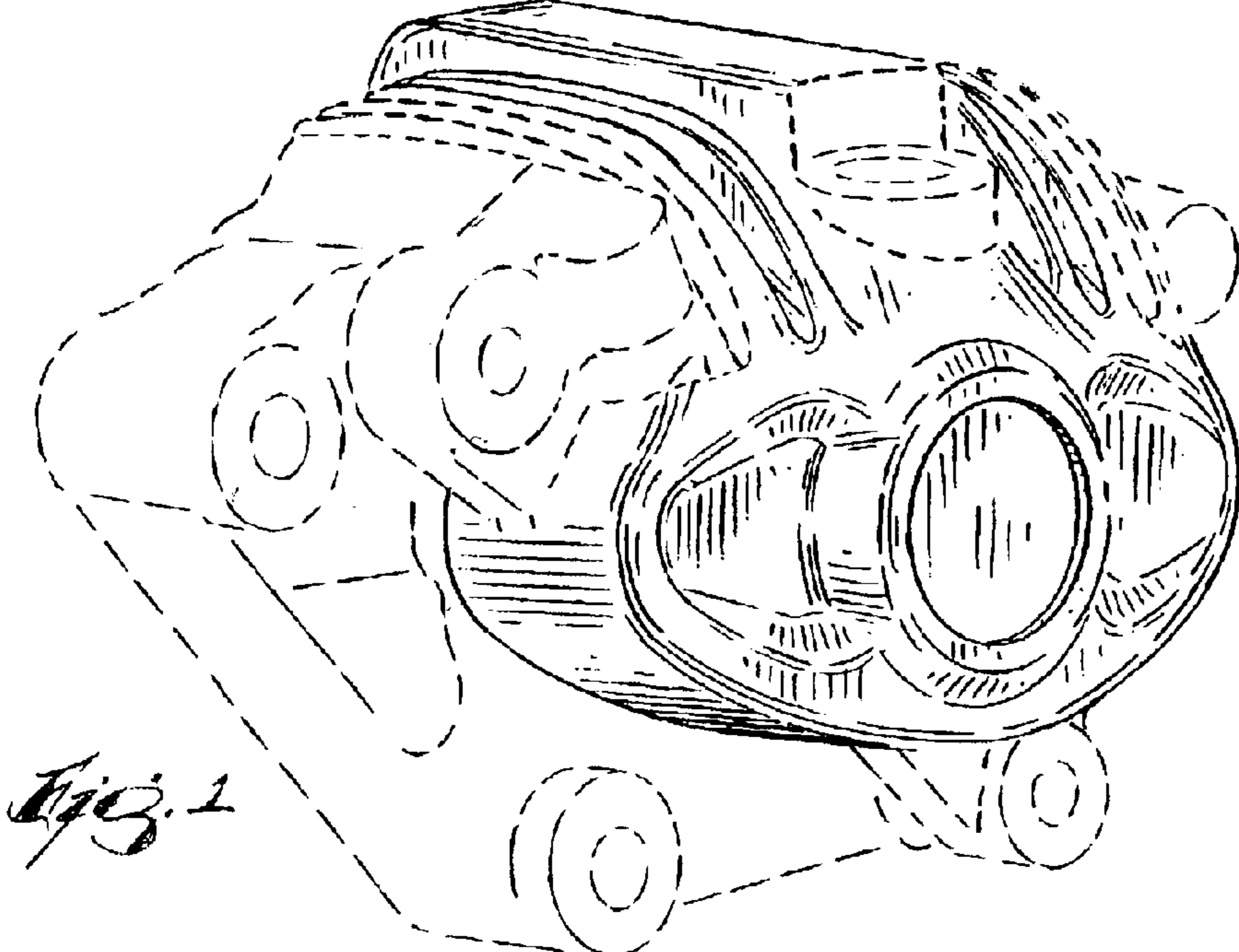


Fig. 1

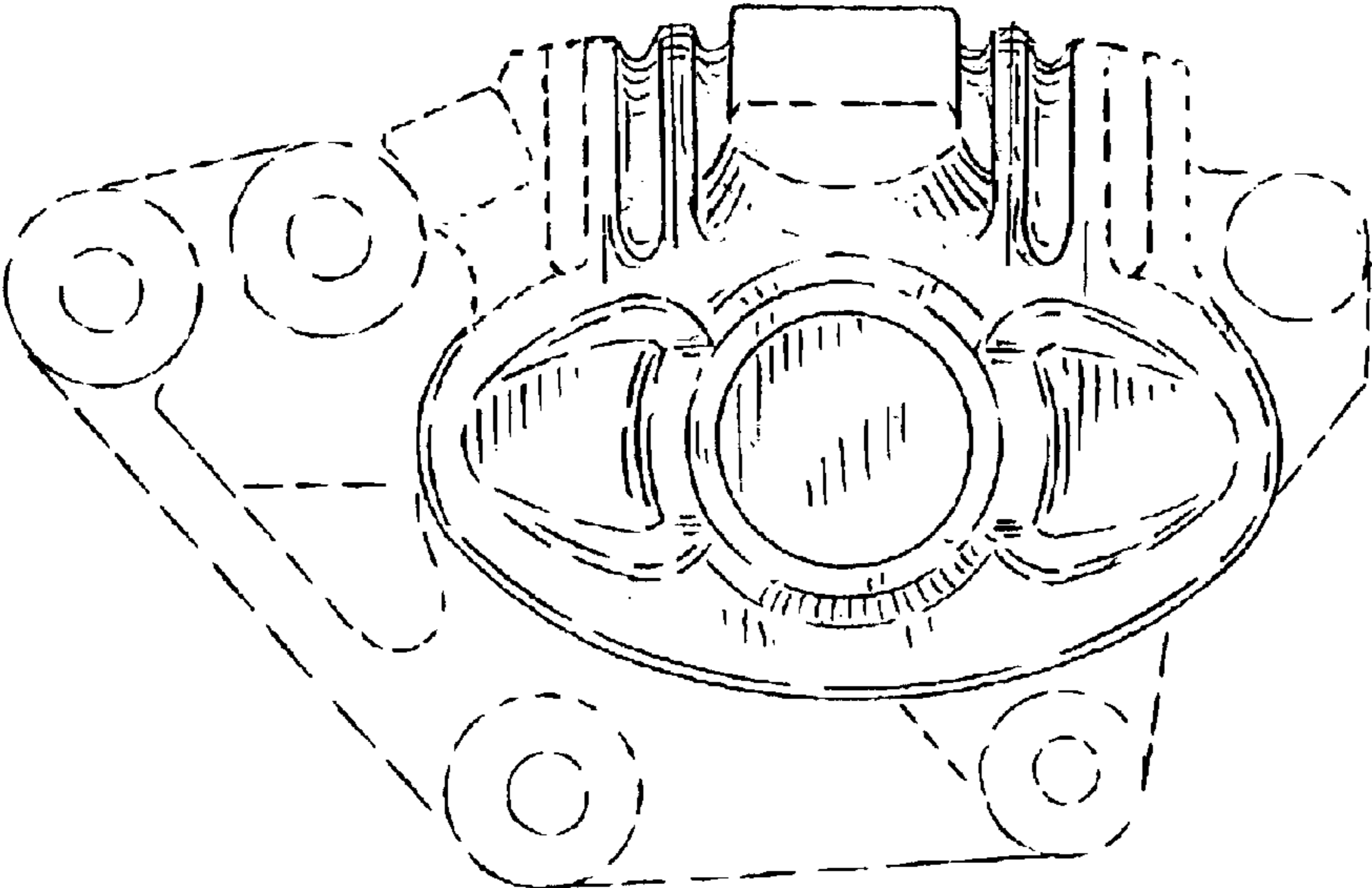


Fig. 2

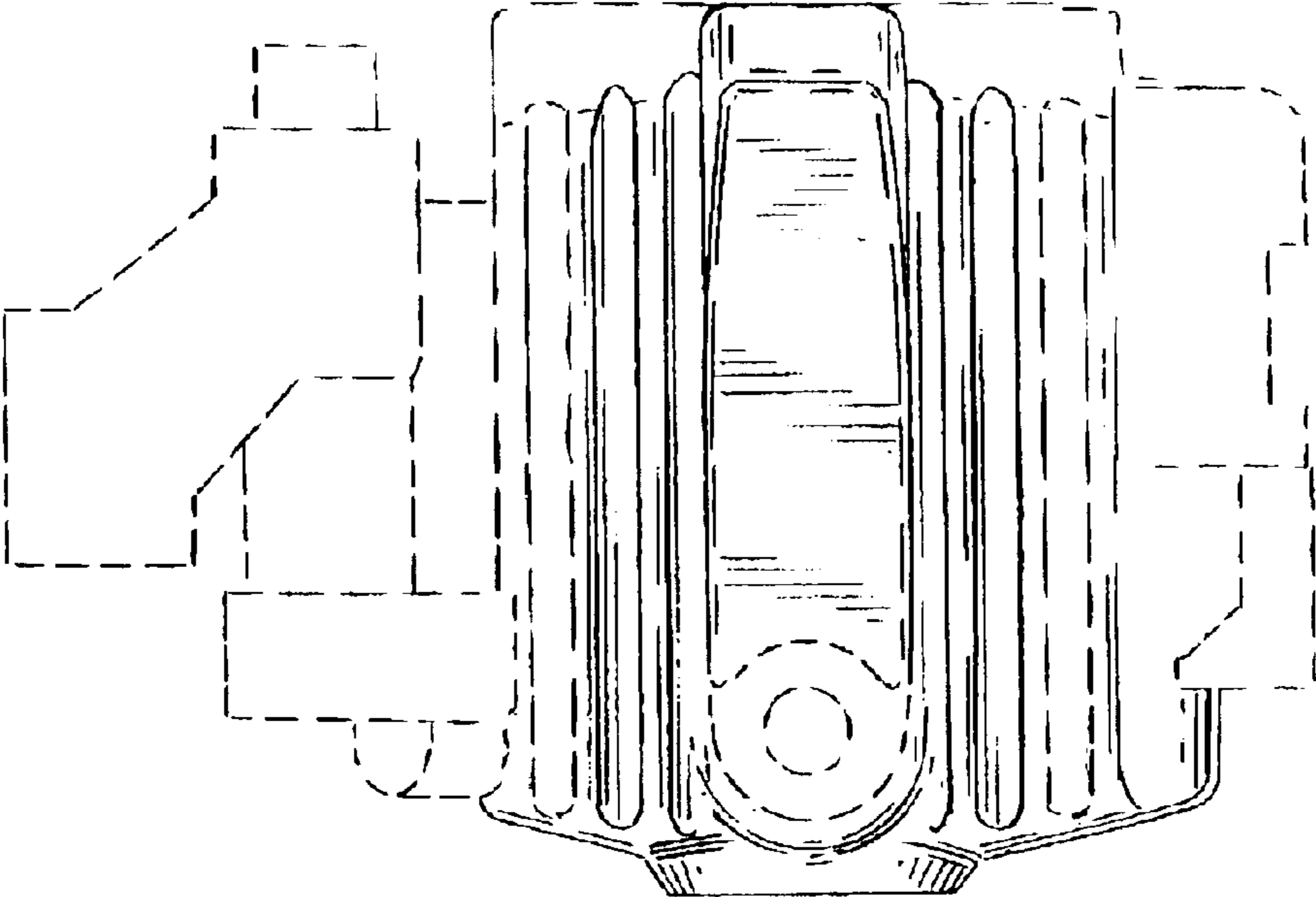


Fig. 3

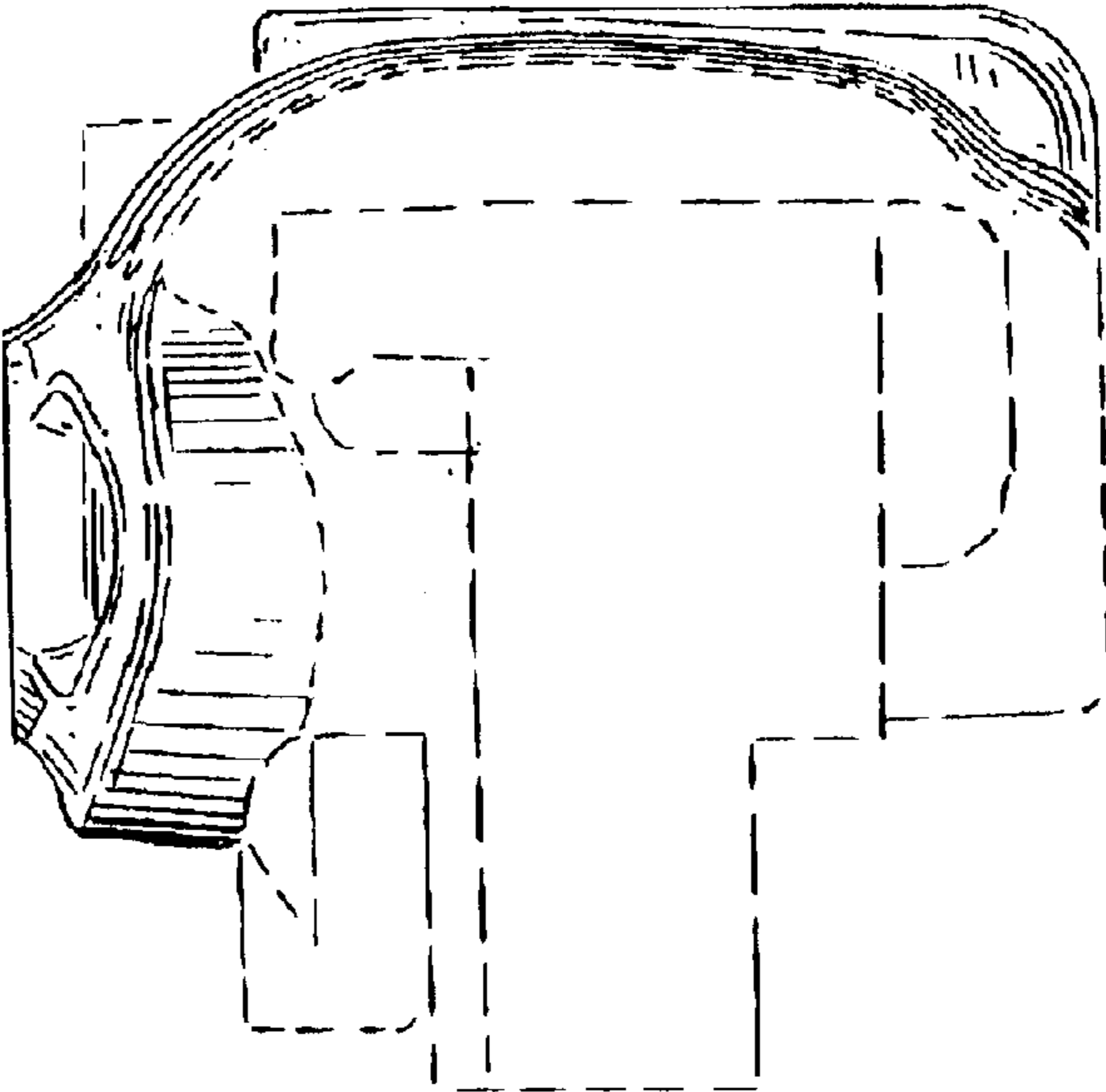
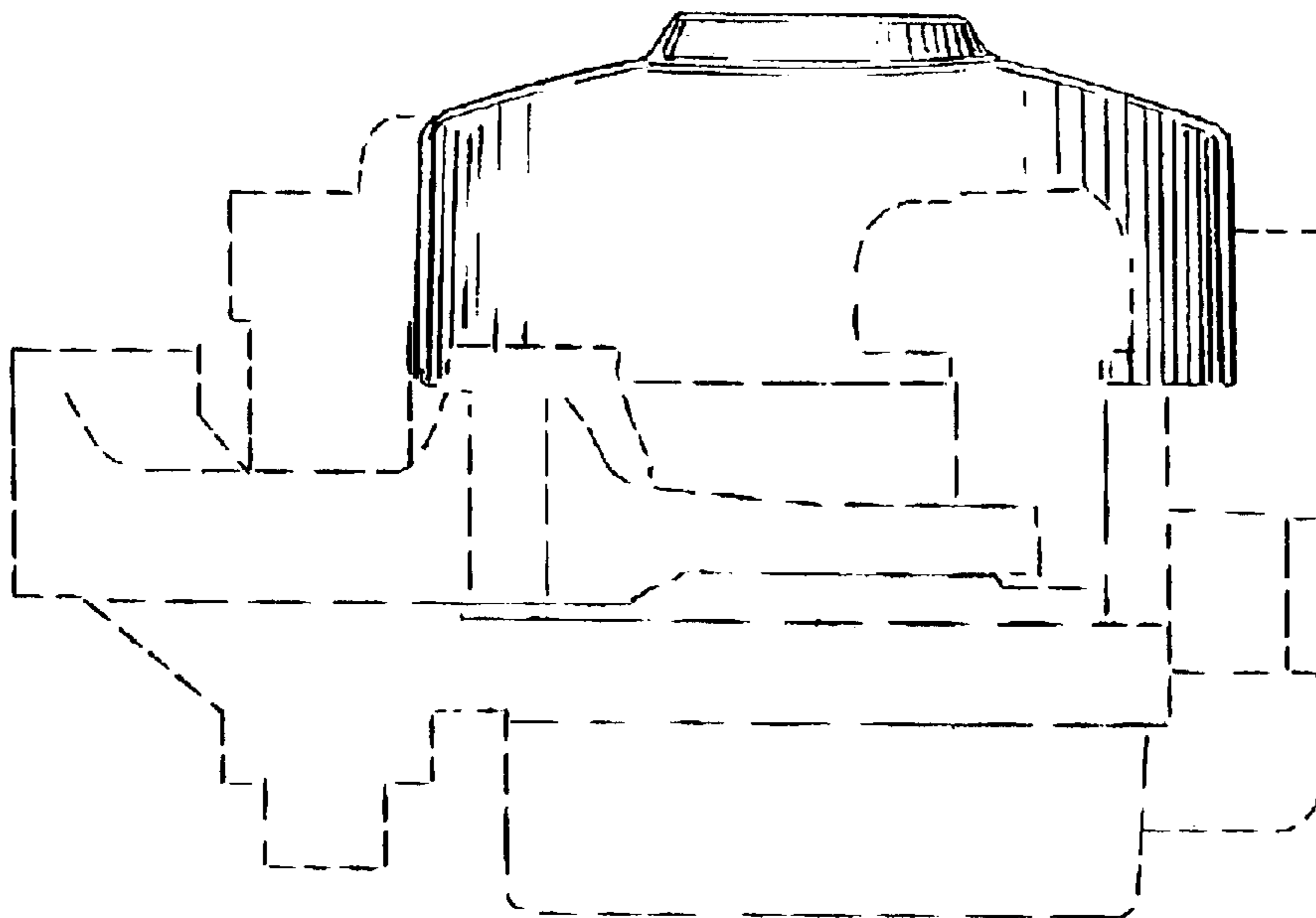
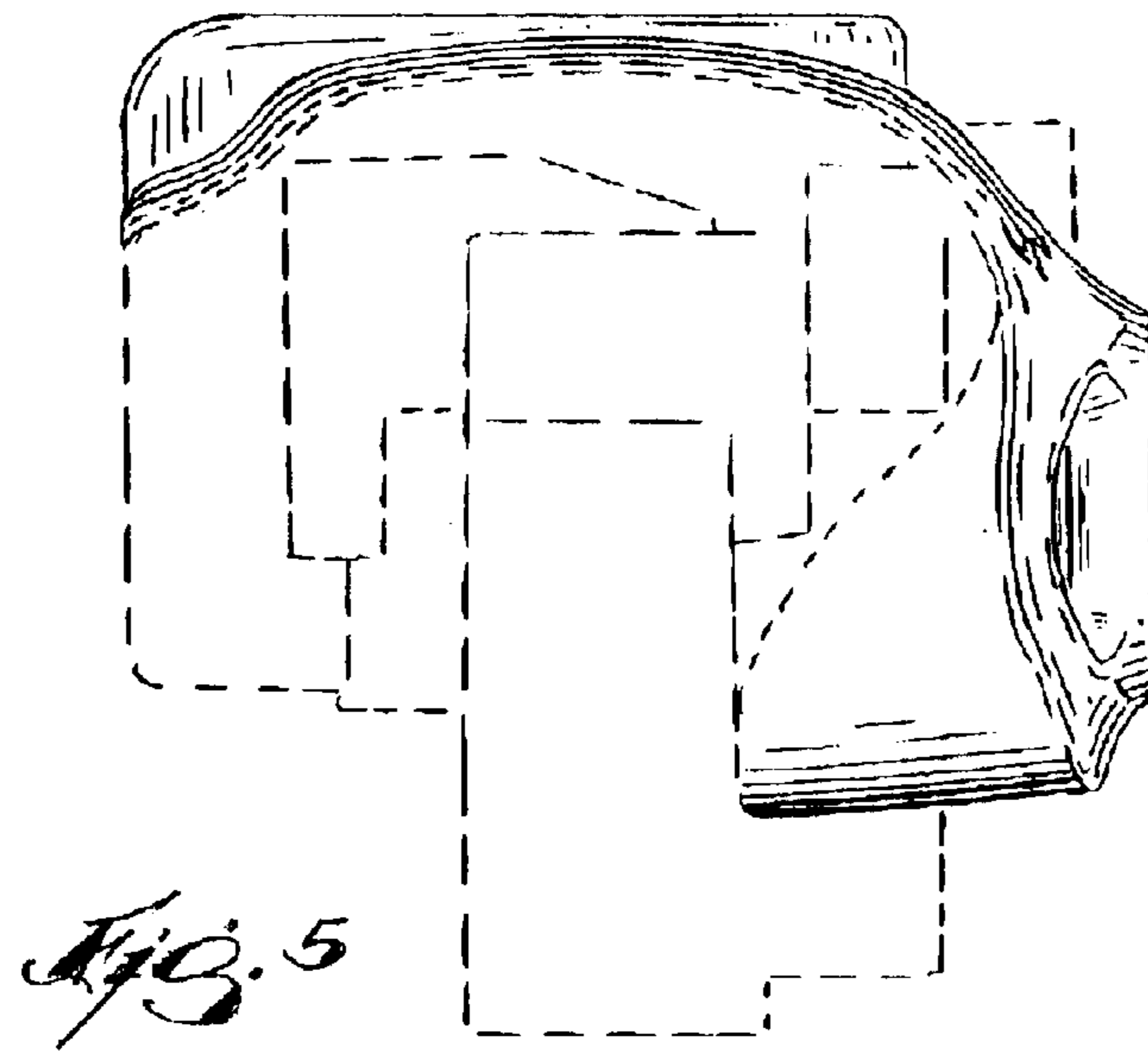


Fig. 4



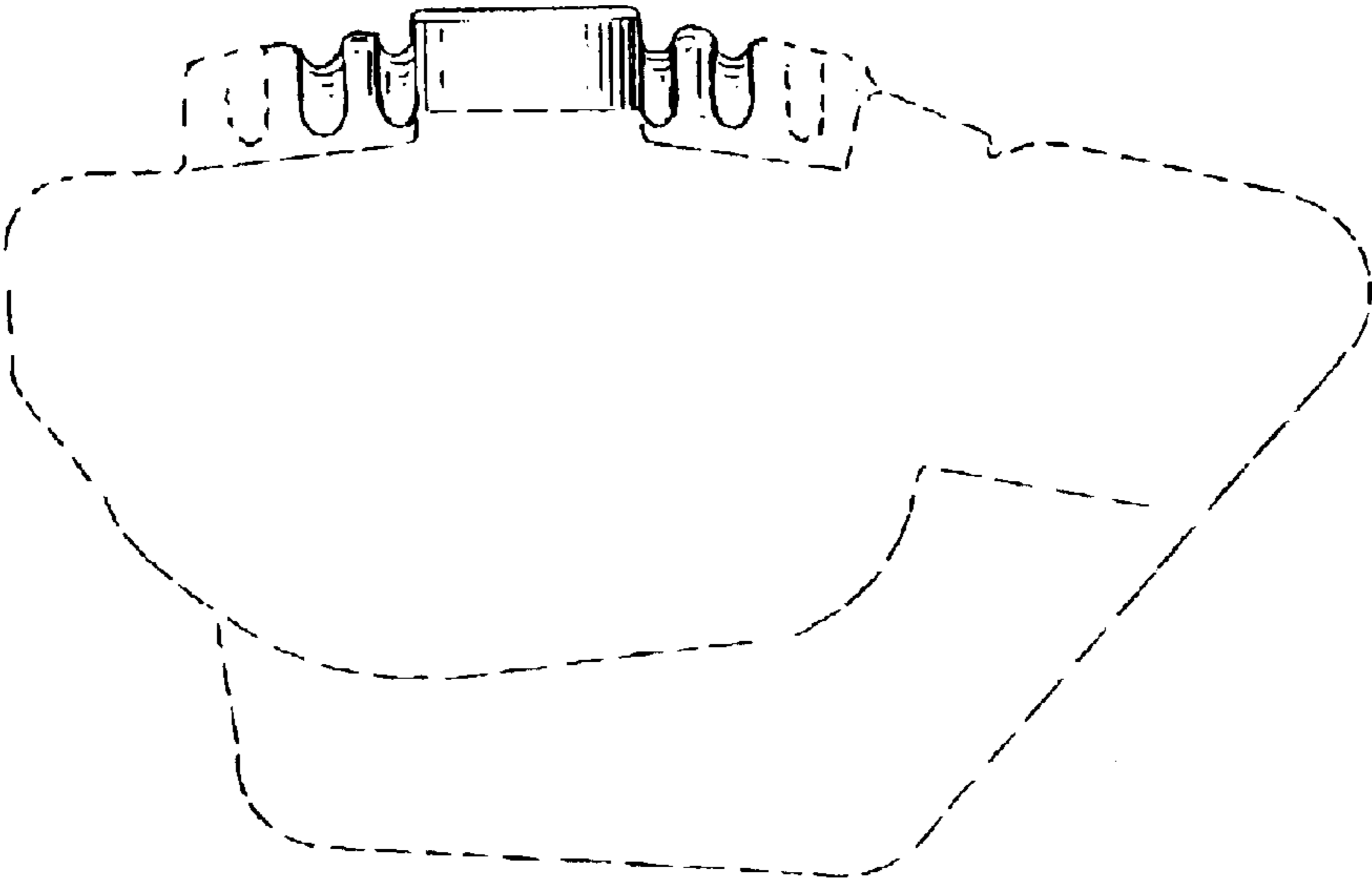


Fig. 1