

US00D491827S1

(12) **United States Design Patent**
Bonnet

(10) **Patent No.:** **US D491,827 S**
(45) **Date of Patent:** **** Jun. 22, 2004**

(54) **CROWN FOR WRISTWATCH**
(75) **Inventor:** **Eric Bonnet**, La Chaux-de-Fonds (CH)
(73) **Assignee:** **Movado LLC**, Wilmington, DE (US)
(**) **Term:** **14 Years**

D398,544 S * 9/1998 Lai D10/37
6,447,169 B2 * 9/2002 Chambert 384/523

* cited by examiner

Primary Examiner—Nelson C. Holtje
(74) *Attorney, Agent, or Firm*—Fross Zelnick Lehrman & Zissu, P.C.; David I. Greenbaum; Lawrence E. Apolzon

(21) **Appl. No.:** **29/183,500**
(22) **Filed:** **Jun. 11, 2003**

(57) **CLAIM**

The ornamental design for a crown for wristwatch, as shown and described.

(51) **LOC (7) Cl.** **10-05**
(52) **U.S. Cl.** **D10/131**
(58) **Field of Search** D10/1-40, 122-132;
368/280-282, 276-277, 285, 294-295

DESCRIPTION

FIG. 1 is a perspective view of a crown for wristwatch showing the new design; FIG. 2 is a top view of the crown shown in FIG. 1; and, FIG. 3 is a right side view of the crown shown in FIG. 1. The broken line showing of a watch case, watch face, watch hands, watch band and screws is for illustrative purposes only and forms no part of the claimed design.

(56) **References Cited**

U.S. PATENT DOCUMENTS

D69,984 S * 4/1926 Conant D10/131
D156,061 S * 11/1949 Waldman D10/131
D232,163 S * 7/1974 Langer D10/37
D314,928 S * 2/1991 Schoepfer D10/131

1 Claim, 3 Drawing Sheets





FIG. 1

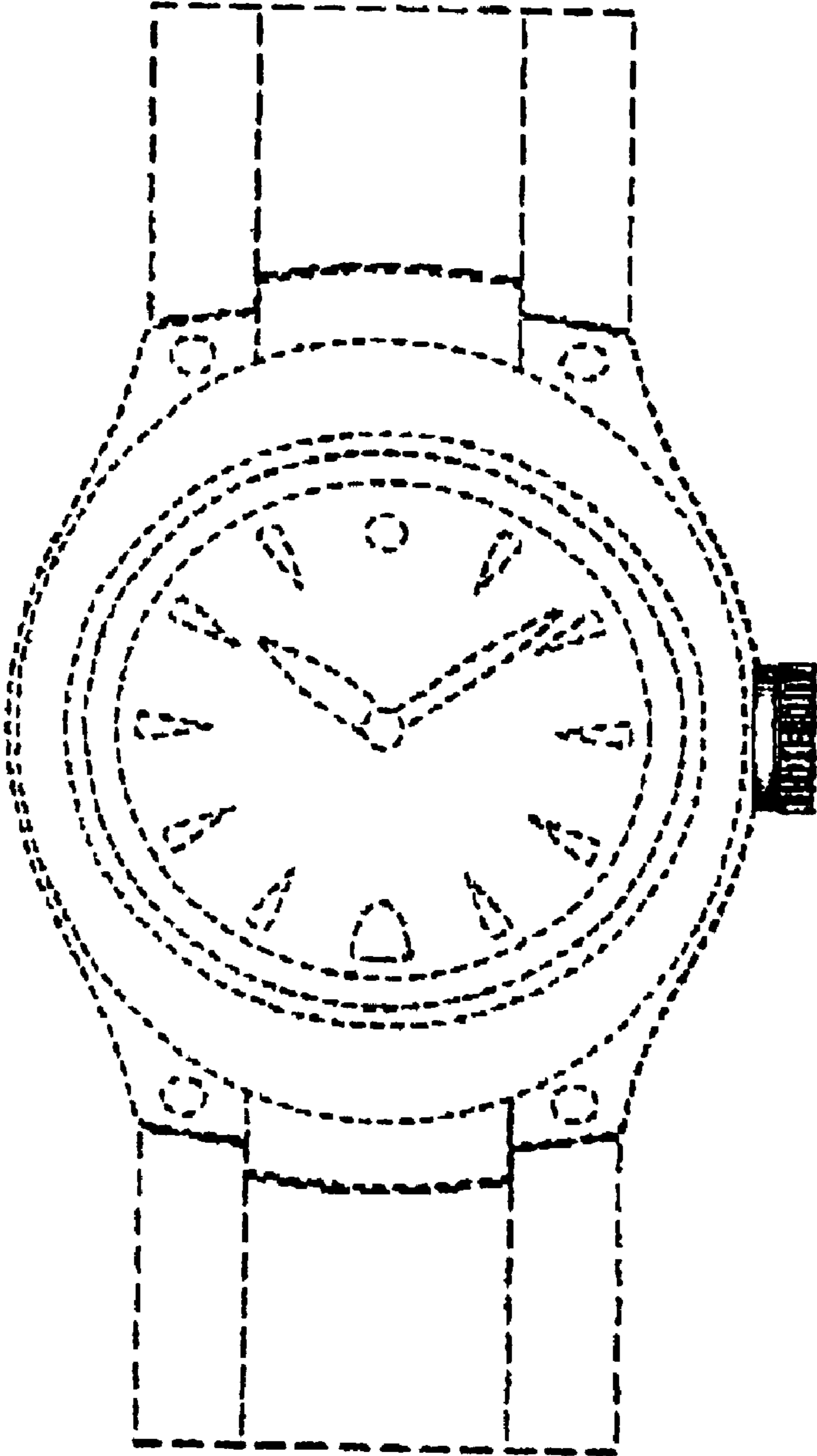


FIG. 2

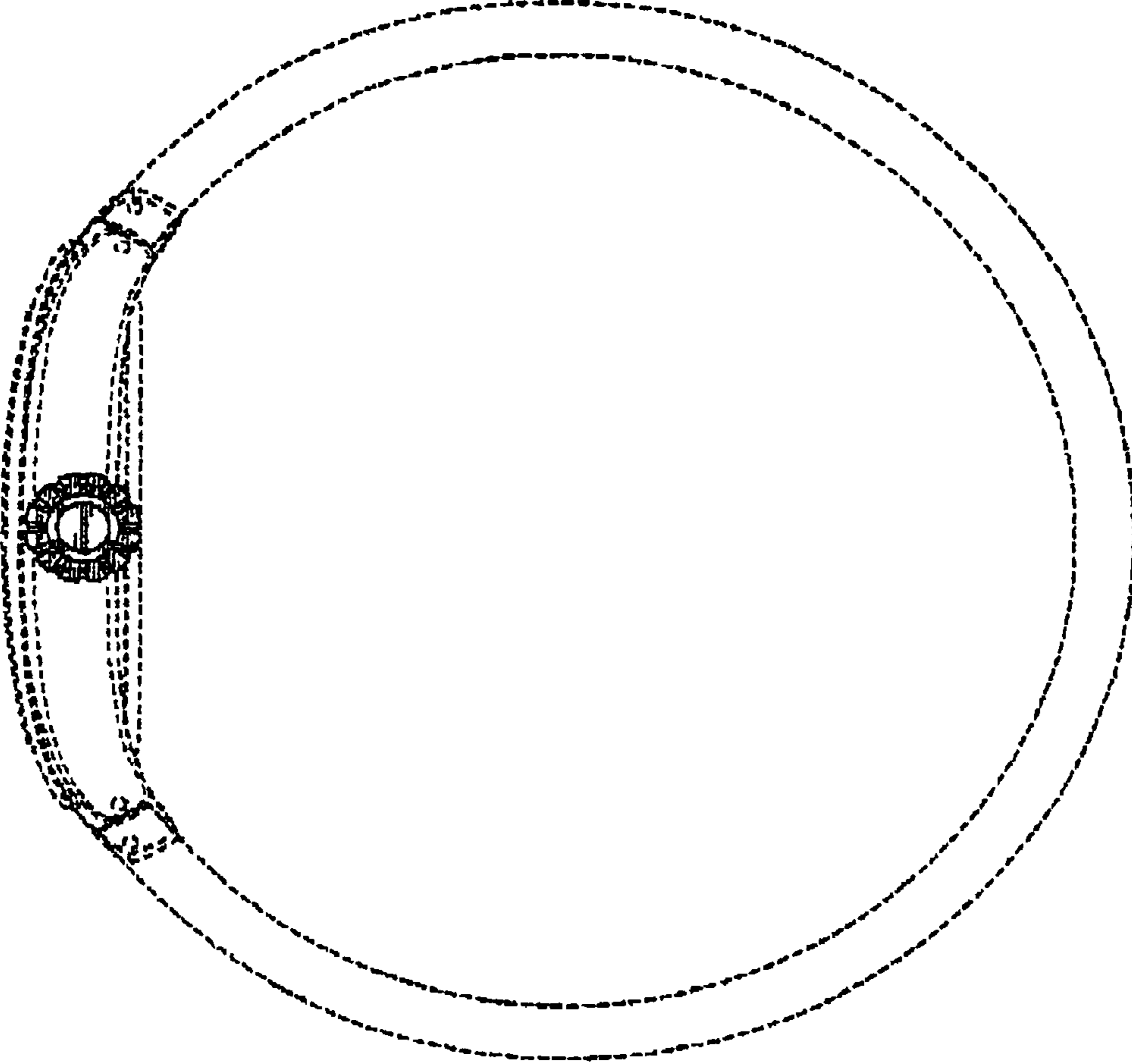


FIG. 3

UNITED STATES PATENT AND TRADEMARK OFFICE
CERTIFICATE OF CORRECTION

PATENT NO. : Des. 491,827 S
DATED : June 22, 2004
INVENTOR(S) : Eric Bonnet

Page 1 of 5

It is certified that error appears in the above-identified patent and that said Letters Patent is hereby corrected as shown below:

The Title page showing an illustration figure, should be deleted and substitute therefore the attached page.

Delete drawings sheets 1-3 and substitute therefore the drawings sheets consisting of sheets 1-3 as shown on the attached page

Signed and Sealed this

Fifteenth Day of March, 2005

A handwritten signature in black ink on a light gray dotted background. The signature reads "Jon W. Dudas" in a cursive style.

JON W. DUDAS

Director of the United States Patent and Trademark Office

(12) **United States Design Patent** (10) Patent No.: **US D491,827 S**
Bonnet (45) Date of Patent: **** Jun. 22, 2004**

(54) **CROWN FOR WRISTWATCH**

D398,544 S * 9/1998 Lai D10/37
 6,447,169 B2 * 9/2002 Chambert 384/523

(75) Inventor: **Eric Bonnet, La Chaux-de-Fonds (CH)**

* cited by examiner

(73) Assignee: **Movado LLC, Wilmington, DE (US)**

Primary Examiner—Nelson C. Holtje

(**) Term: **14 Years**

(74) *Attorney, Agent, or Firm*—Fross Zelnick Lehrman & Zissu, P.C.; David I. Greenbaum; Lawrence E. Apolzon

(21) Appl. No.: **29/183,500**

(57) **CLAIM**

(22) Filed: **Jun. 11, 2003**

The ornamental design for a crown for wristwatch, as shown and described.

(51) LOC (7) CI. **10-05**

(52) U.S. CI. **D10/131**

(58) Field of Search D10/1-40, 122-132;
 368/280-282, 276-277, 285, 294-295

DESCRIPTION

FIG. 1 is a perspective view of a crown for wristwatch showing the new design;

FIG. 2 is a top view of the crown shown in FIG. 1; and,

FIG. 3 is a right side view of the crown shown in FIG. 1.

The broken line showing of a watch case, watch face, watch hands, watch band and screws is for illustrative purposes only and forms no part of the claimed design.

(56) **References Cited**

U.S. PATENT DOCUMENTS

D69,984 S * 4/1926 Conant D10/131
 D156,061 S * 11/1949 Waldman D10/131
 D232,163 S * 7/1974 Langer D10/37
 D314,928 S * 2/1991 Schoepfer D10/131

1 Claim, 3 Drawing Sheets





FIG. 1

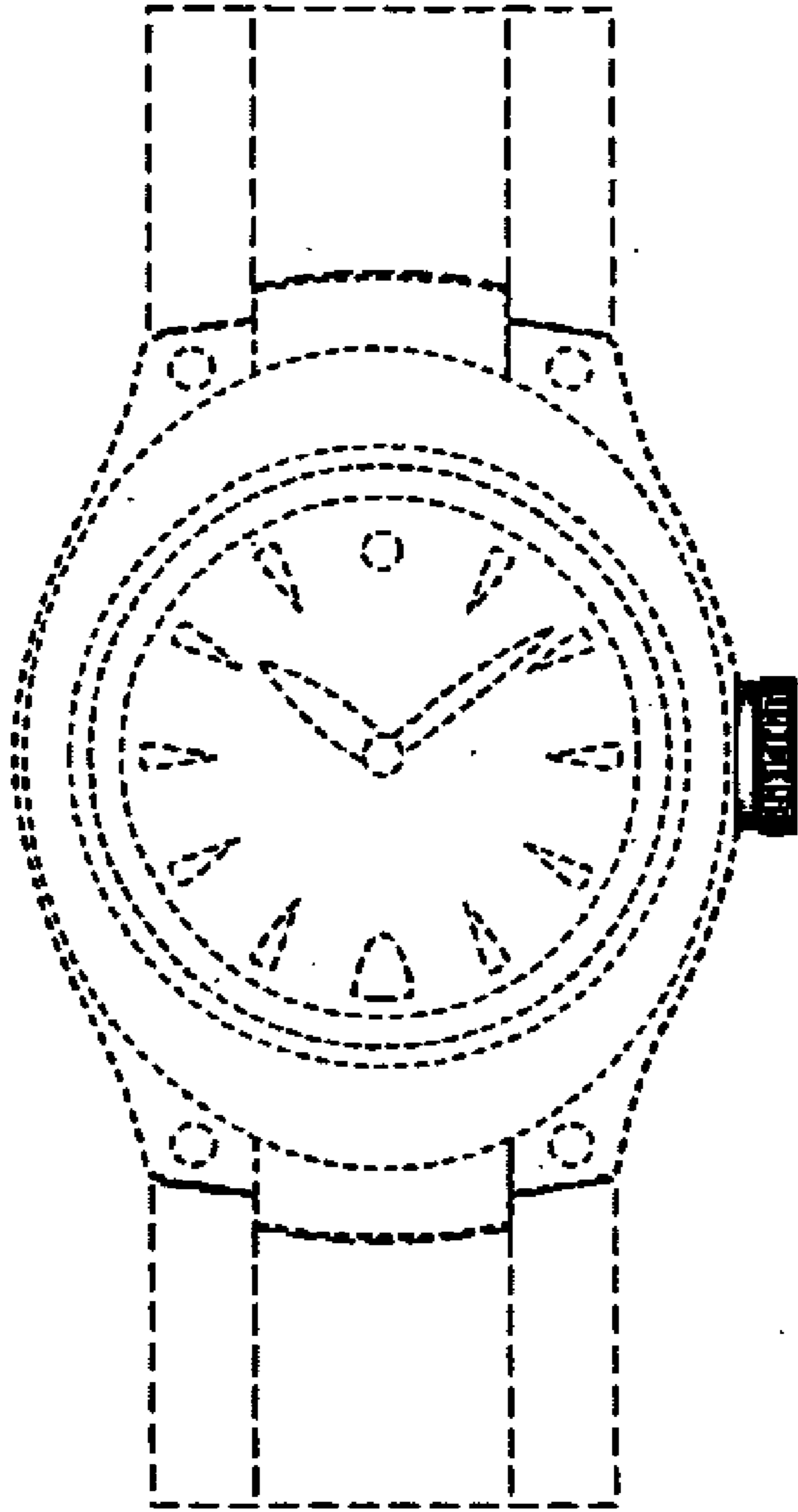


FIG. 2

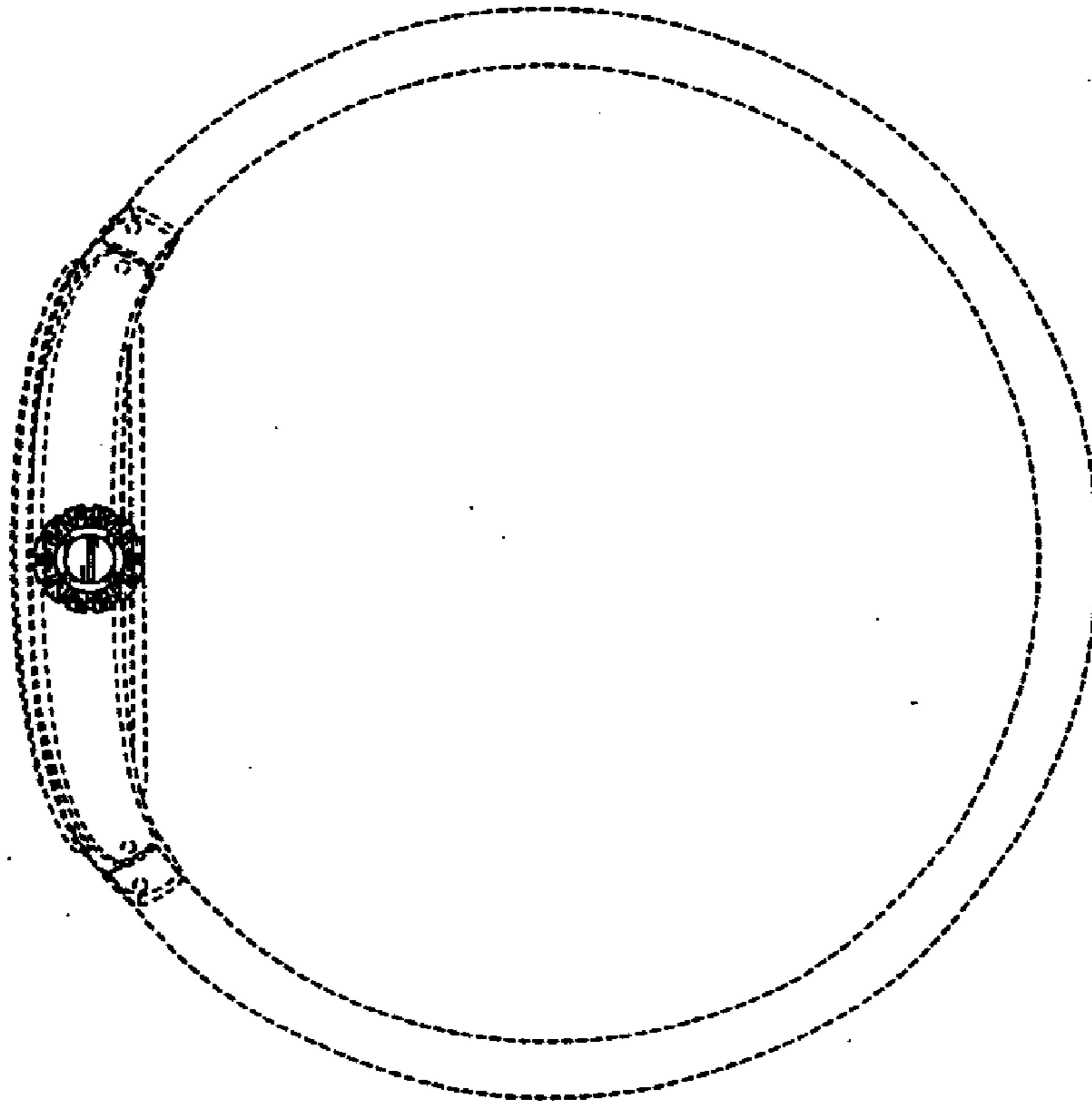


FIG. 3