

US00D491826S1

(12) **United States Design Patent** (10) **Patent No.:** **US D491,826 S**  
**Shaland et al.** (45) **Date of Patent:** **\*\* Jun. 22, 2004**

(54) **REFLECTOR**

(75) Inventors: **Alexander Shaland**, Lyndhurst, OH (US); **Douglas F. Kreysar**, Duvall, WA (US); **Chan Ho Ming**, Kowloon (HK)

(73) Assignee: **Actron Manufacturing Company**, Cleveland, OH (US)

(\*\*) Term: **14 Years**

(21) Appl. No.: **29/181,437**

(22) Filed: **May 9, 2003**

**Related U.S. Application Data**

(63) Continuation of application No. 29/154,186, filed on Jan. 17, 2002, now abandoned.

(51) **LOC (7) Cl.** ..... **10-05**

(52) **U.S. Cl.** ..... **D10/111**

(58) **Field of Search** ..... D10/111; 362/3-18, 362/372, 283, 284, 346, 223, 256, 277, 297

(56) **References Cited**

**U.S. PATENT DOCUMENTS**

52,987 A	3/1866	Gibson
979,852 A	12/1910	Harrison
1,367,472 A	2/1921	Harvey
1,691,131 A	11/1928	Ryder
1,735,377 A	11/1929	Caughlan

(List continued on next page.)

**OTHER PUBLICATIONS**

Executed Declaration of Alexander Shaland.  
Digital photographs of the Hawk Power Timing Light.  
Digital photographs of the Blue-Point MT125 "Xenon Flash" Timing Light and packaging.  
Digital photographs of the TRISCO Timing Light and manual (circa 1986).  
Digital photographs of the Snap-On MT1261 Computerized Tack/Advance Timing Light and manual (circa 1986).

Digital photographs of the Snap-On MT1261A Computerized Tack/Advance Timing Light and manual (circa 1988).  
Digital photographs of the Snap-On MT1221 Timing Light and manual (circa 1986).  
Digital photographs of the PenPro Inductive Timing Light Model SP-4001.  
Digital photographs of the PenPro Inductive Advance Timing Light Model SP4003 and manual (circa 1987).  
Digital photographs of the Auto-Tune Inductive Timing Light Model 4120, packaging, manual, and warranty booklet (circa 1976).  
Digital photographs of the Sears Inductive Timing Light.  
Digital photographs of the Ewin Everwin Inductive Timing Light.  
Digital photographs of the Equus Xenon Timing Light and packaging.  
Digital photographs of the LEADING Timing Light (circa 1988).  
Digital photographs of the Kingdom KR-705 Deluxe Inductive Advance Tester Timing Light.  
Digital photographs of the Suntone 7504 Timing Light (on left) and the Pentrone SP4001 Timing Light (on right).

(List continued on next page.)

*Primary Examiner*—Antoine D. Davis  
(74) *Attorney, Agent, or Firm*—Calfee, Halter & Griswold LLP

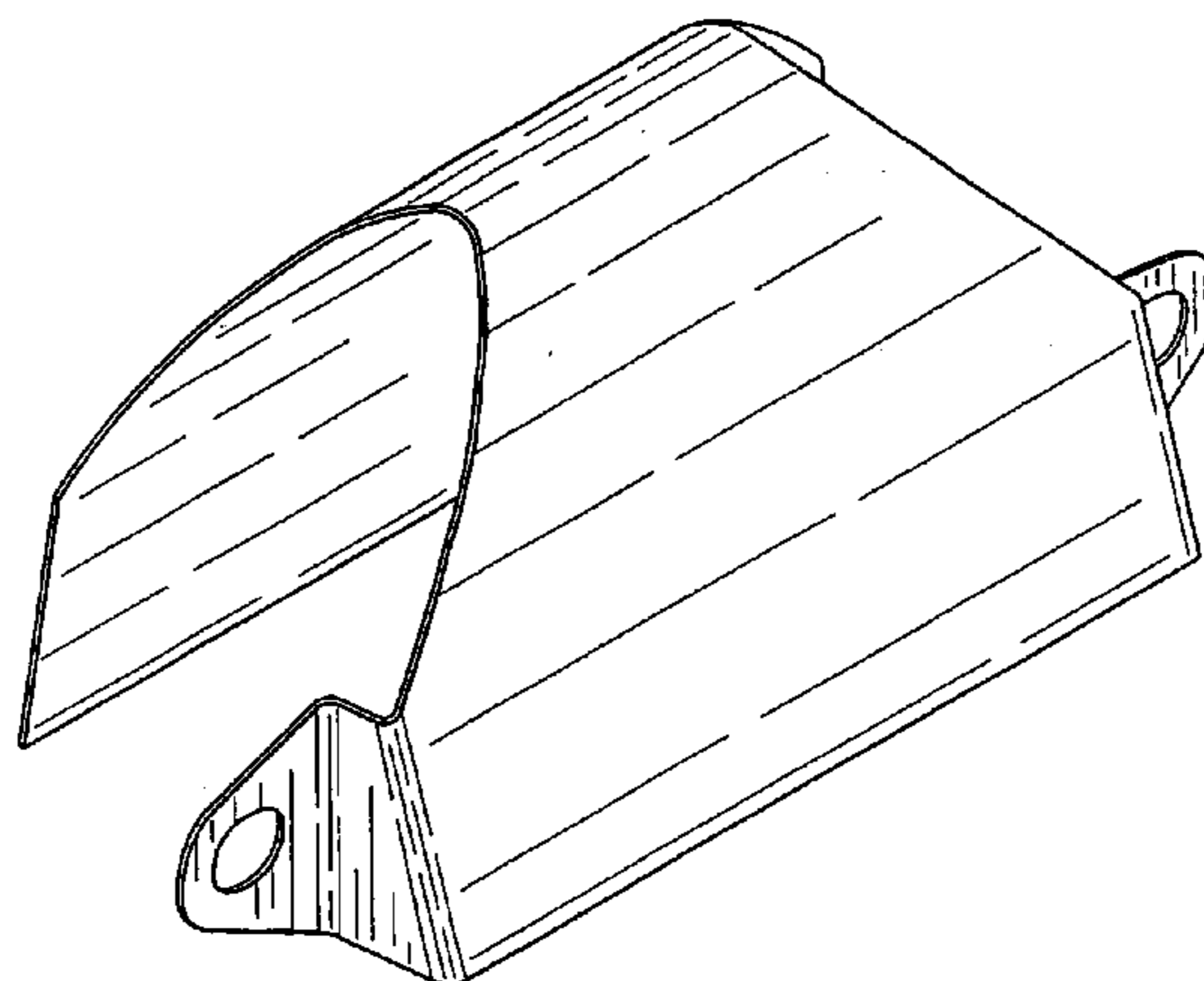
(57) **CLAIM**

We claim the ornamental design for a reflector, as shown and described.

**DESCRIPTION**

FIG. 1 is a bottom right rear isometric view of a timing light reflector showing our new design, the top right front isometric view (not shown) being a mirror image thereof; FIG. 2 is a rear elevational view thereof; FIG. 3 is a bottom plan view thereof; FIG. 4 is a left side elevational view thereof, the right side elevational view (not shown) being a mirror image thereof; FIG. 5 is a top plan view thereof; and, FIG. 6 is a front elevational view thereof.

**1 Claim, 3 Drawing Sheets**



U.S. PATENT DOCUMENTS

2,032,622 A	3/1936	Le Guillou	4,428,030 A	1/1984	Baliozian
2,067,256 A	1/1937	Brush	4,446,506 A	5/1984	Larson
2,259,910 A	10/1941	Rylsky	4,460,942 A	7/1984	Pizzuti et al.
2,286,030 A	6/1942	Young et al.	4,462,063 A	7/1984	English
2,517,302 A	8/1950	Graves	4,504,889 A	3/1985	Goldfarb
2,907,873 A	10/1959	Smith	4,507,254 A	3/1985	Daniels et al.
2,959,711 A	11/1960	Parmater et al.	4,530,035 A	7/1985	Kawarada
3,369,149 A	2/1968	Grant	4,530,040 A	7/1985	Petterson
3,449,035 A	6/1969	Denaro	4,570,203 A	2/1986	Daniels et al.
3,471,236 A	10/1969	Pearson	4,675,791 A	6/1987	Montgomery
3,497,798 A	2/1970	Schick	4,699,497 A	10/1987	Hinton et al.
3,827,782 A	8/1974	Boudouris et al.	5,023,764 A	6/1991	McKinnon et al.
3,858,113 A	12/1974	Pruss	5,432,572 A	7/1995	Hirasaki et al.
3,895,345 A	7/1975	Elvers et al.	5,539,622 A	7/1996	Ishikawa
4,052,607 A	10/1977	Larson	5,584,572 A	12/1996	Ishikawa
4,084,215 A	4/1978	Willenbrock	5,772,302 A	6/1998	Ishikawa et al.
4,135,228 A	1/1979	Lones	5,892,334 A	4/1999	Utzman
4,141,059 A	2/1979	Shiojiri			
4,146,833 A	3/1979	McKinnon et al.			
4,200,902 A	4/1980	Intrator			
4,317,625 A	3/1982	Van Allen			
4,333,127 A	6/1982	Alkema et al.			
4,356,533 A	10/1982	Takematsu			
4,380,026 A	4/1983	Kubota			
4,412,276 A	10/1983	Blinow			

OTHER PUBLICATIONS

Digital photographs of the Fox Valley Professional Timing Light, Model TL806 and packaging.

Digital photographs of the Ewin Everwin Inductive Timing Light.

Digital photographs of the Suntune Model CP-7620 Timing Light, packaging and instructions (circa 1981).

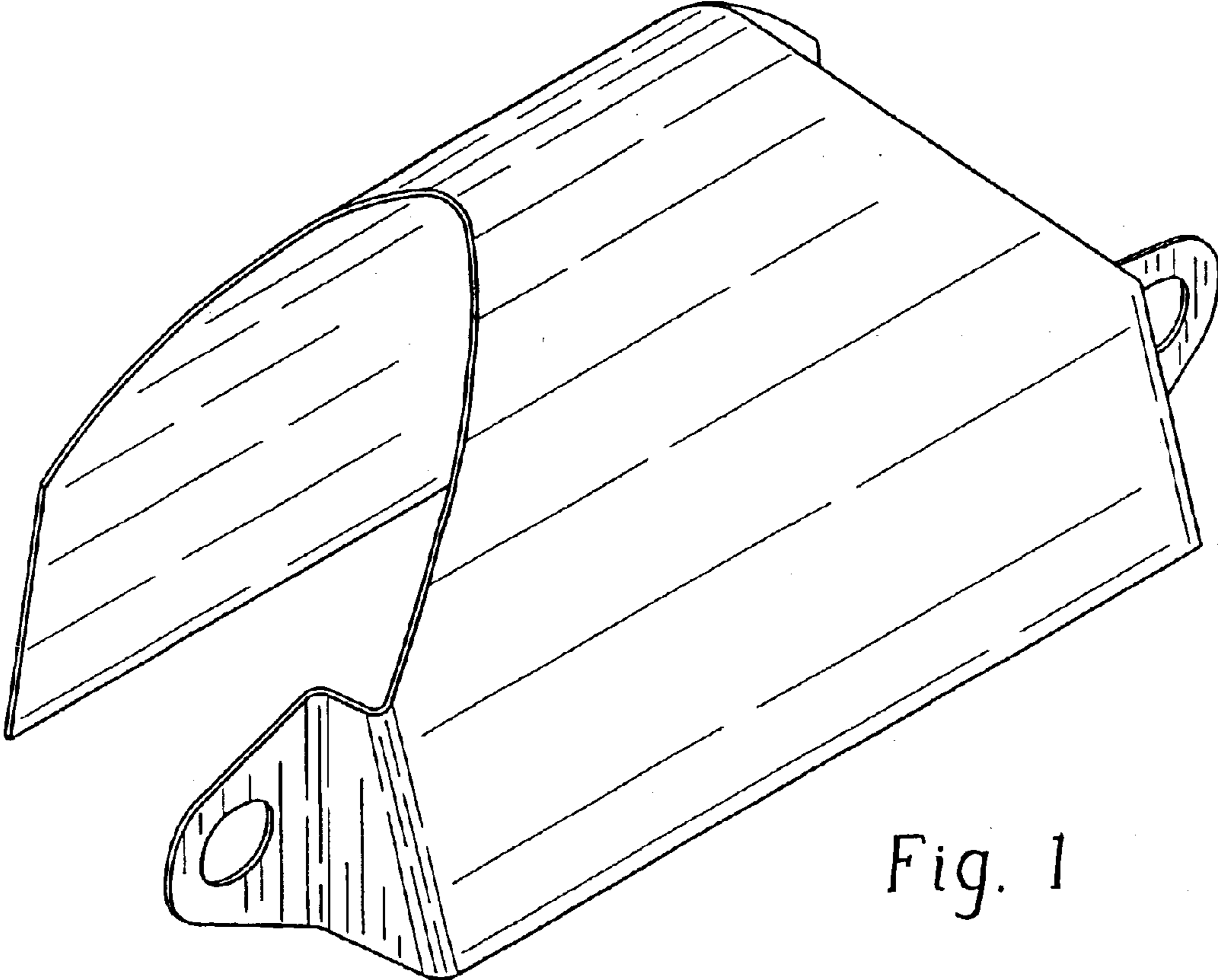


Fig. 1

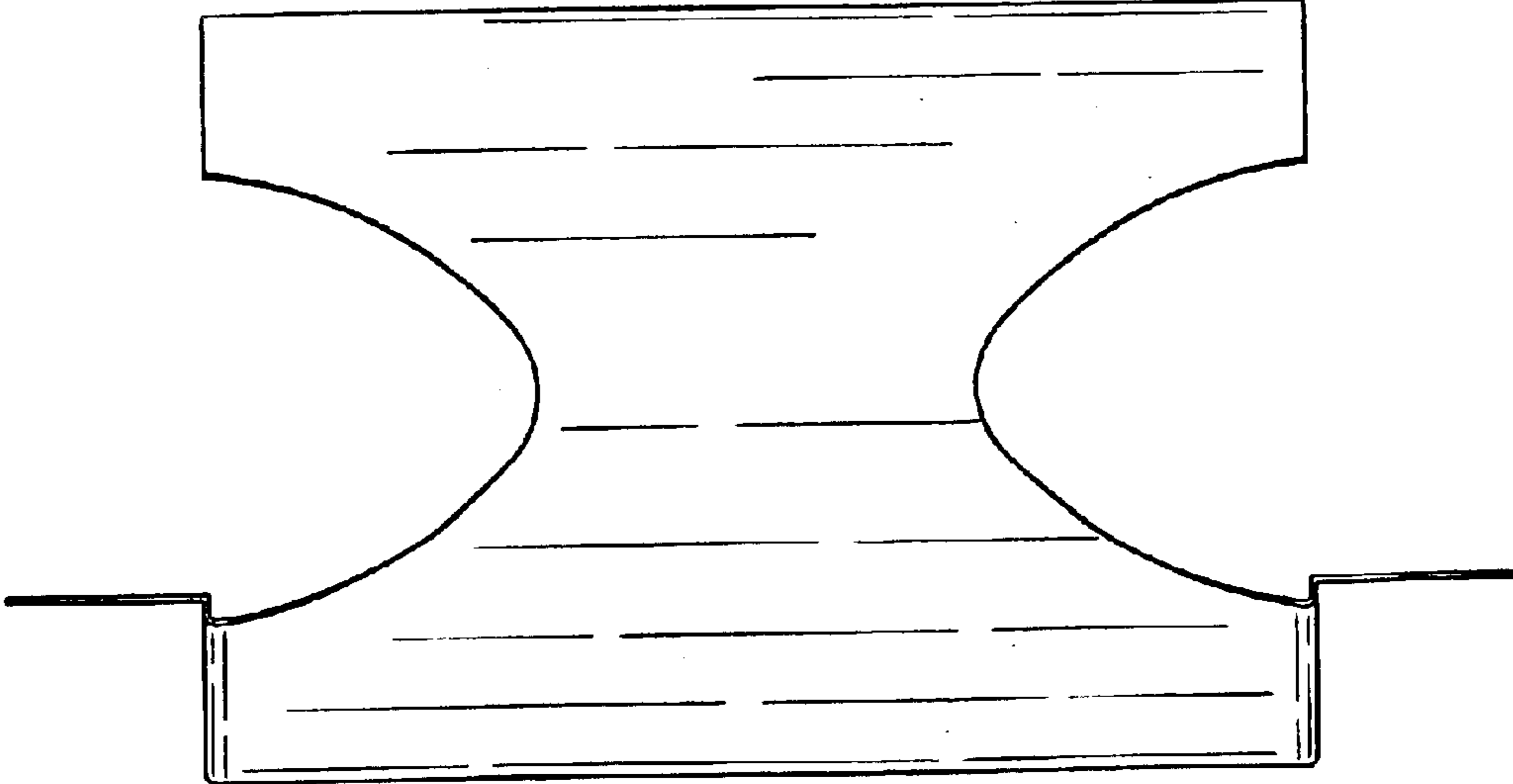
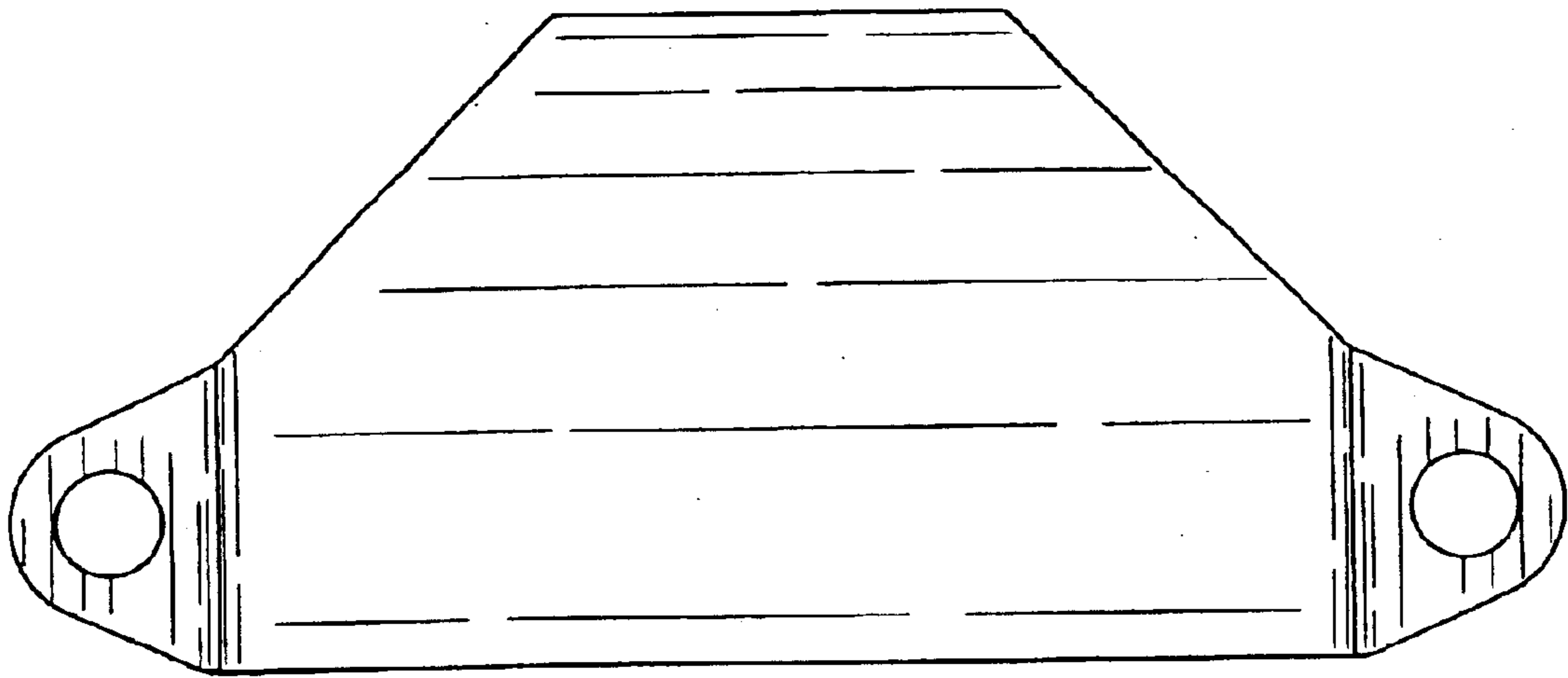
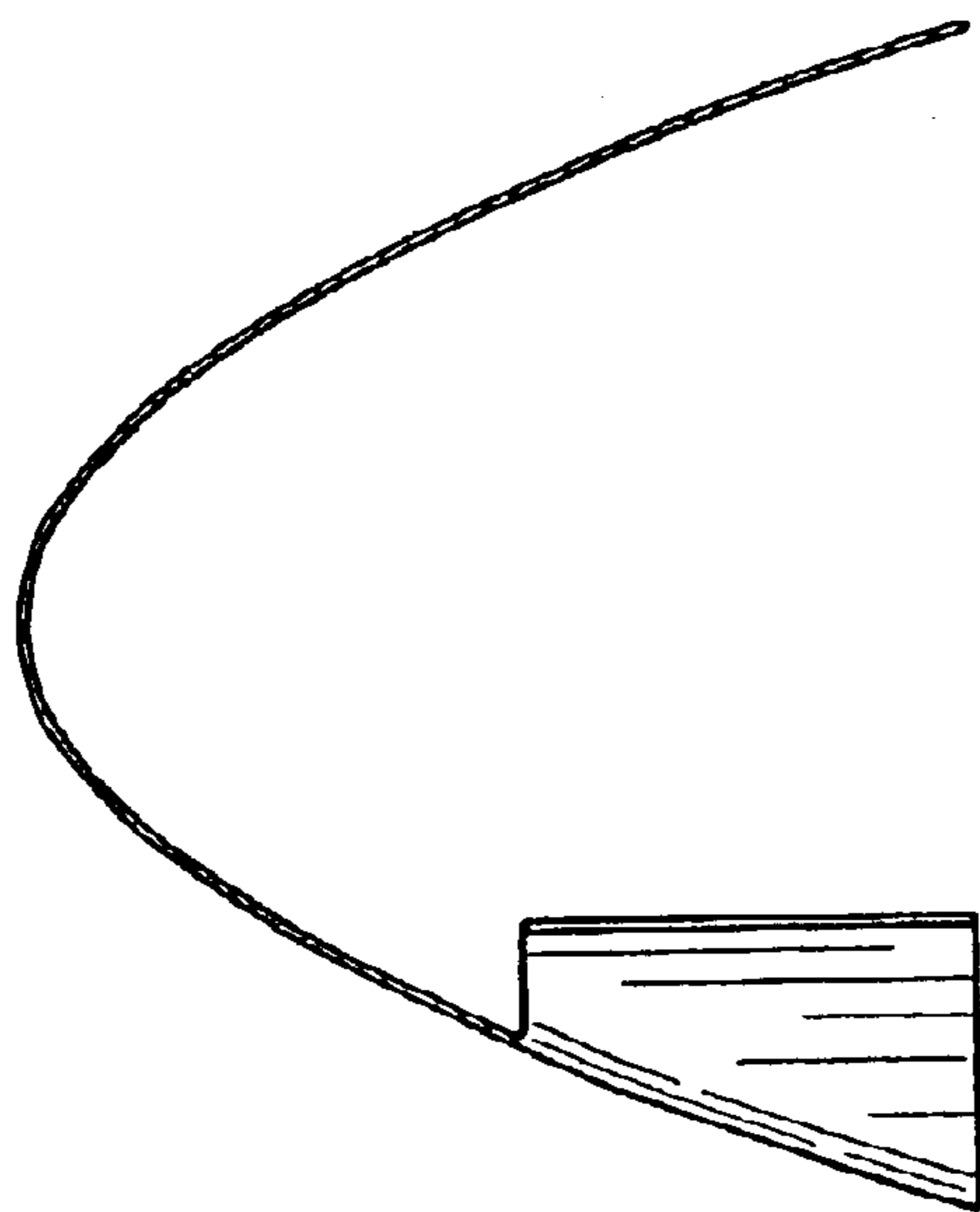


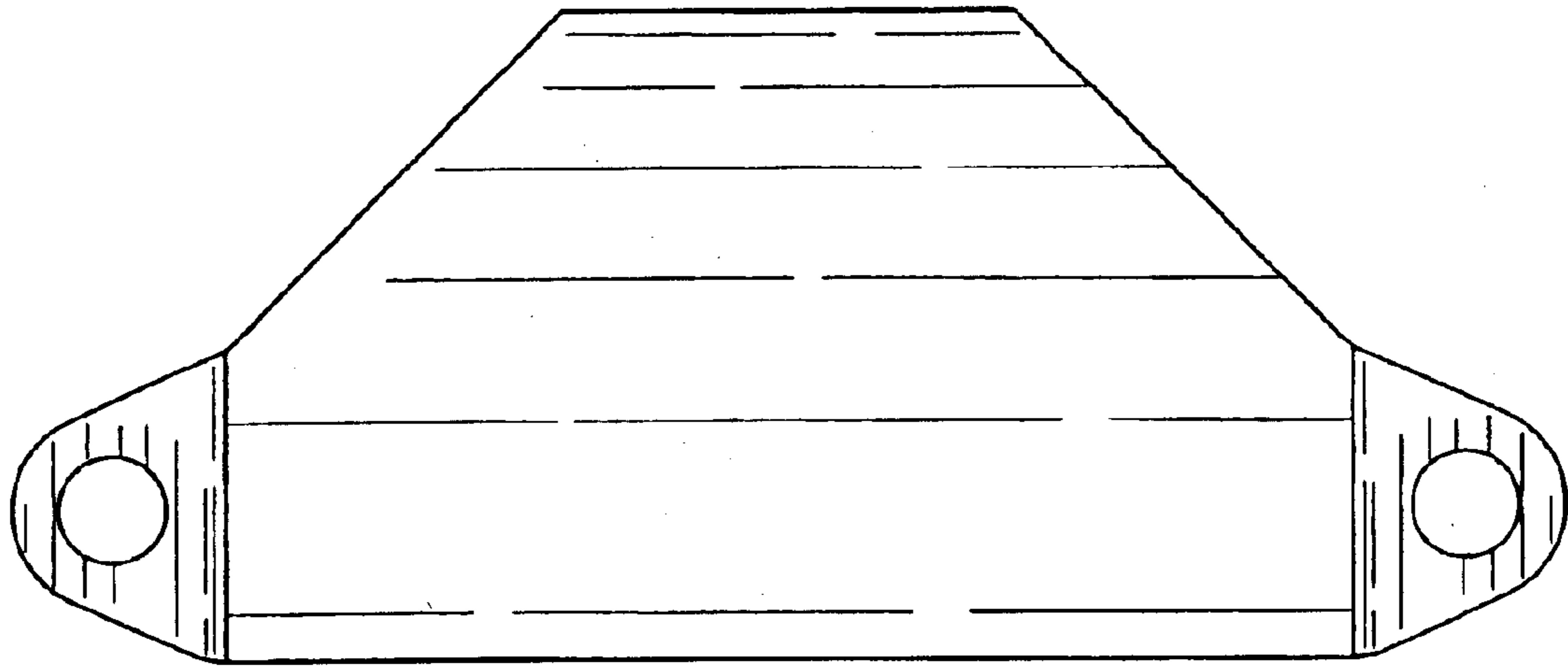
Fig. 2



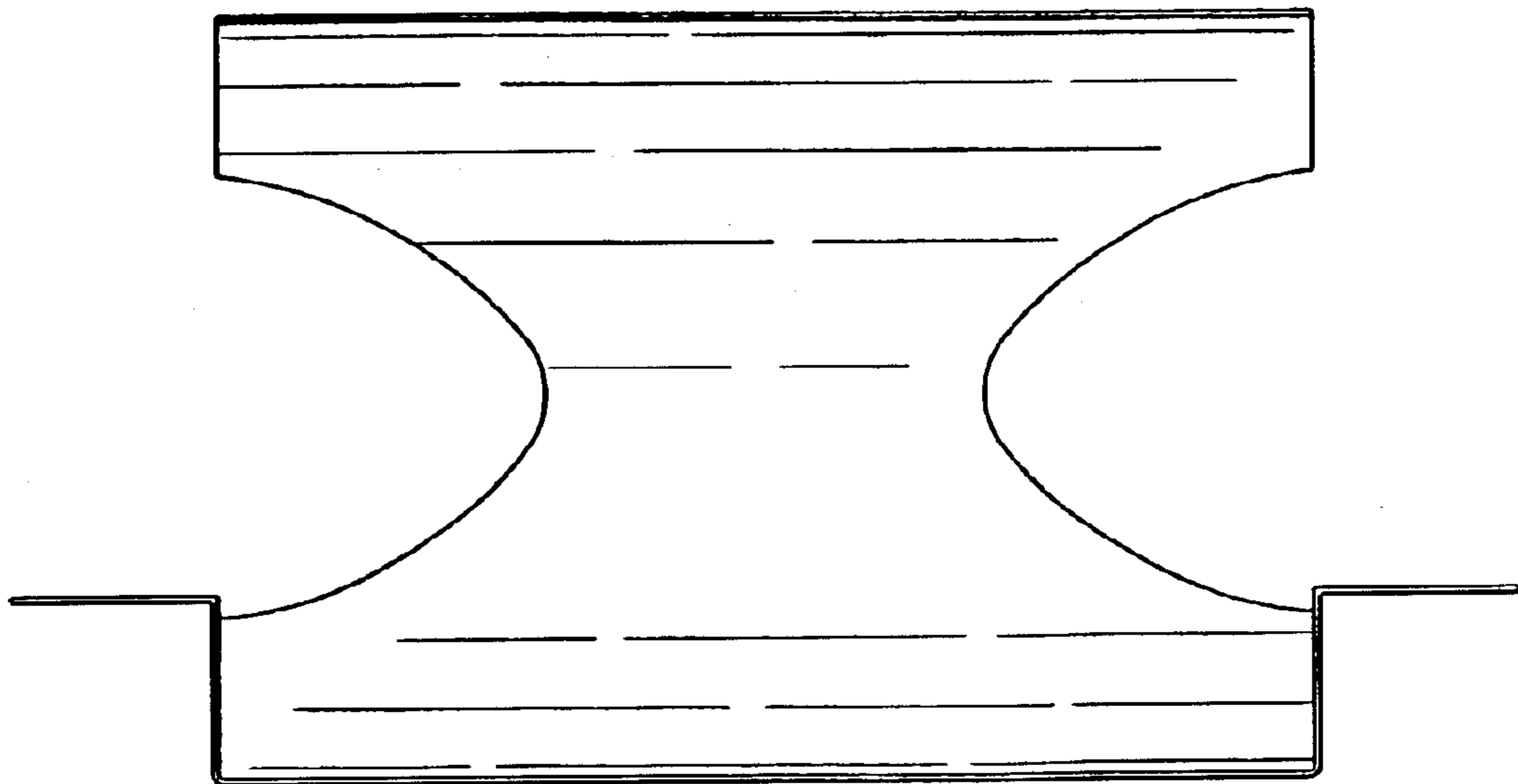
*Fig. 3*



*Fig. 4*



*Fig. 5*



*Fig. 6*