

US00D491824S1

(12) **United States Design Patent**
Kawamura

(10) **Patent No.:** **US D491,824 S**
(45) **Date of Patent:** **** Jun. 22, 2004**

(54) **CENTRIPETAL TELESCOPE THAT USES A LASER FOR SURVEYING INSTRUMENT**

(75) Inventor: **Ryoji Kawamura**, Kanagawa-ken (JP)

(73) Assignee: **Sokkia Co., Ltd.** (JP)

(**) Term: **14 Years**

(21) Appl. No.: **29/182,939**

(22) Filed: **Jun. 4, 2003**

(30) **Foreign Application Priority Data**

Dec. 17, 2002 (JP) 2002-034920

(51) **LOC (7) Cl.** **10-04**

(52) **U.S. Cl.** **D10/66**

(58) **Field of Search** D10/66; D16/132;
356/301, 4.08; 33/291, 293, 296, 227, 275 R,
286, DIG. 21

(56) **References Cited**

U.S. PATENT DOCUMENTS

5,784,792 A *	7/1998	Smith	33/227
6,178,649 B1 *	1/2001	Wu	33/286
6,487,781 B2 *	12/2002	Johnson	33/285
6,502,321 B1 *	1/2003	Crain et al.	33/296
6,573,981 B2 *	6/2003	Kumagai et al.	356/4.08
6,608,677 B1 *	8/2003	Ray et al.	356/301

* cited by examiner

Primary Examiner—Antoine D. Davis
(74) *Attorney, Agent, or Firm*—Banner & Witcoff, Ltd.

(57) **CLAIM**

The ornamental design for a centripetal telescope that uses a laser for surveying instrument, as shown and described.

DESCRIPTION

FIG. 1 is a perspective view of a centripetal telescope that uses a laser for surveying instrument, showing my new design;

FIG. 2 is a front elevational view thereof;

FIG. 3 is a top plan view thereof;

FIG. 4 is a bottom plan view thereof;

FIG. 5 is a right side elevational view thereof;

FIG. 6 is a left side elevational view thereof;

FIG. 7 is a front elevational view showing a state in which a cap is placed;

FIG. 8 is a left side elevational view showing a state in which a cap is placed; and,

FIG. 9 is a reference view showing the state of use thereof; The broken line showing the remaining parts of a support base for a laser light range meter equipped with a telescope is for illustrative purposes only and forms no part of the claimed design.

1 Claim, 4 Drawing Sheets

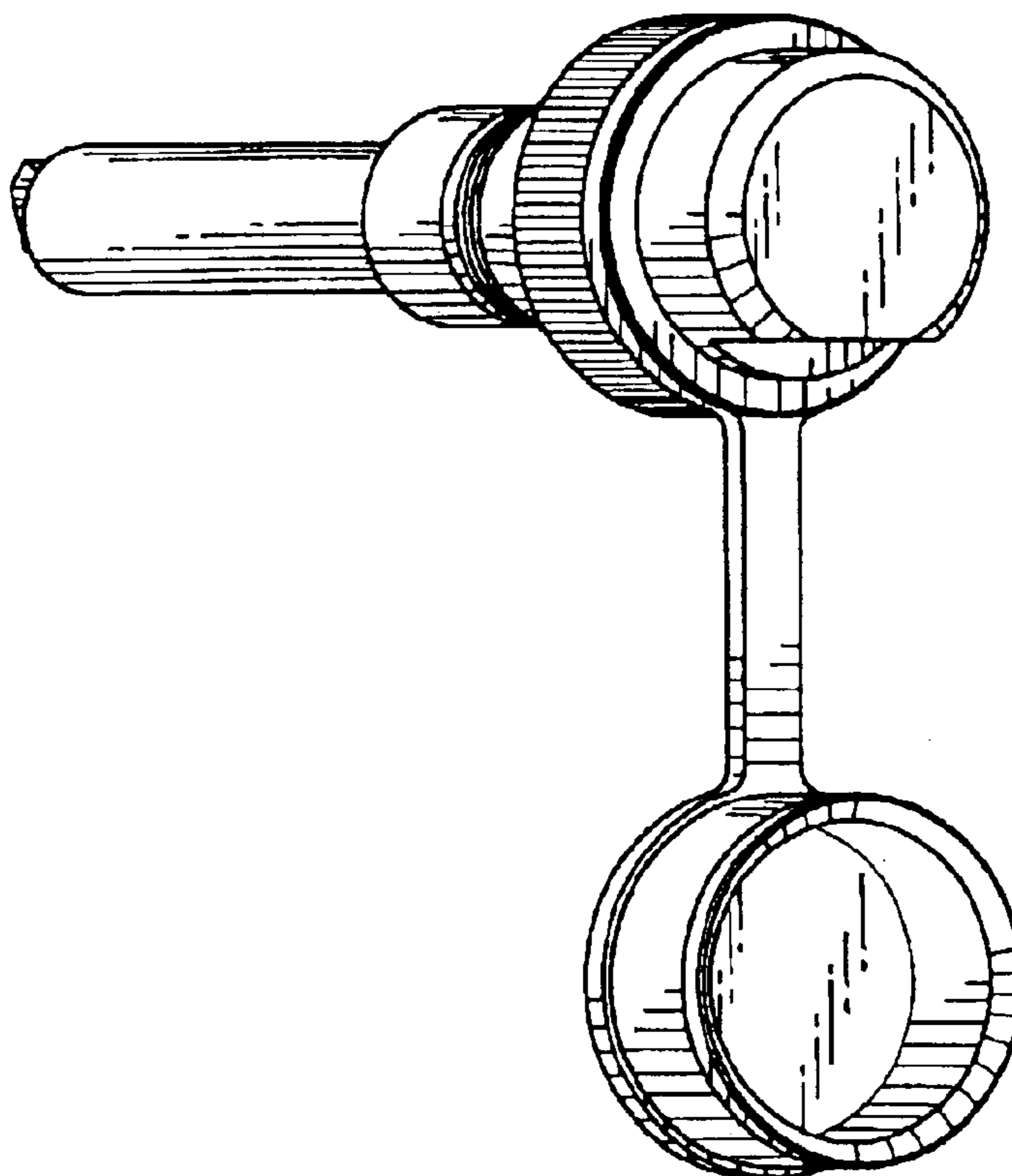


FIG. 1

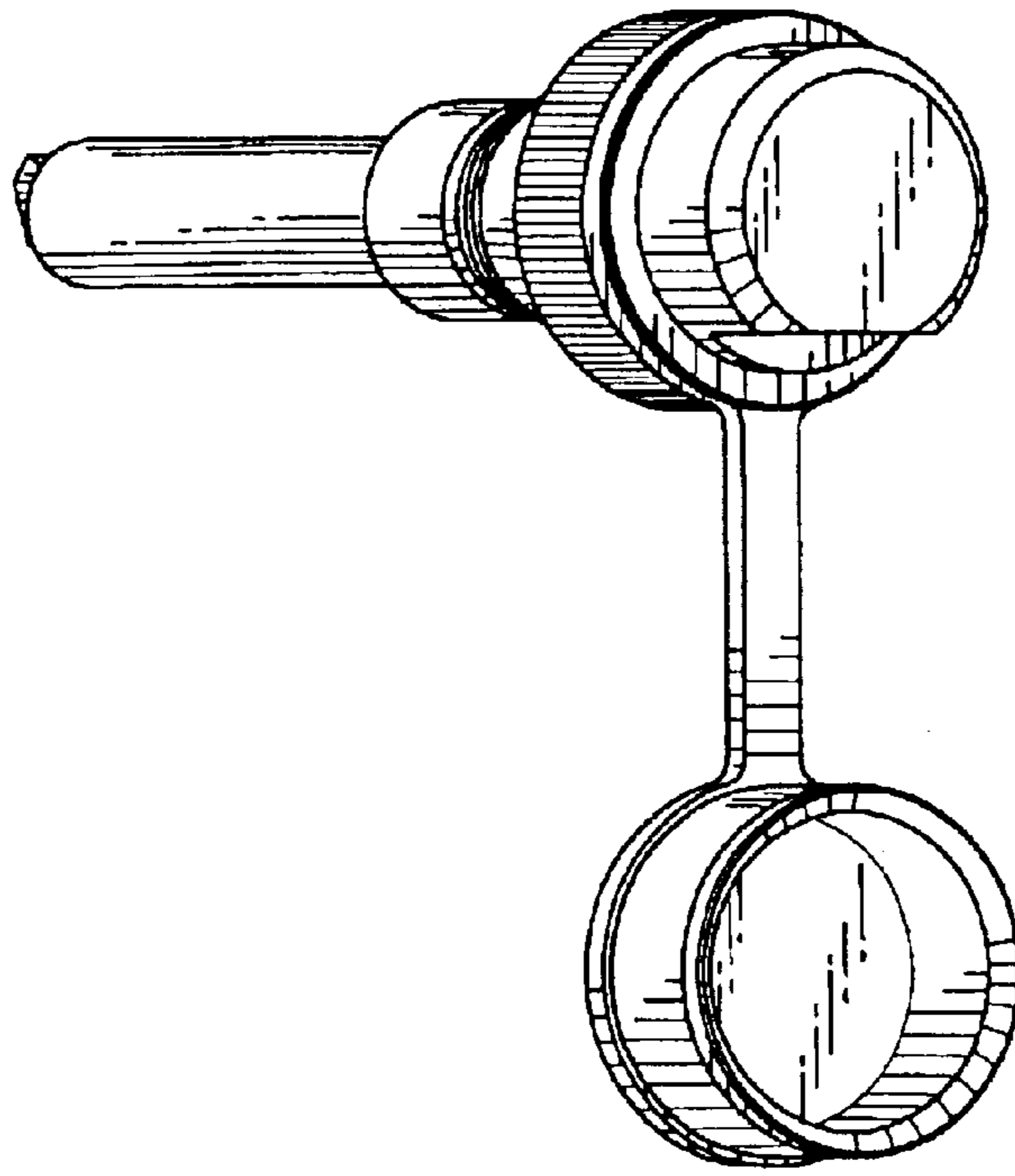


FIG. 2

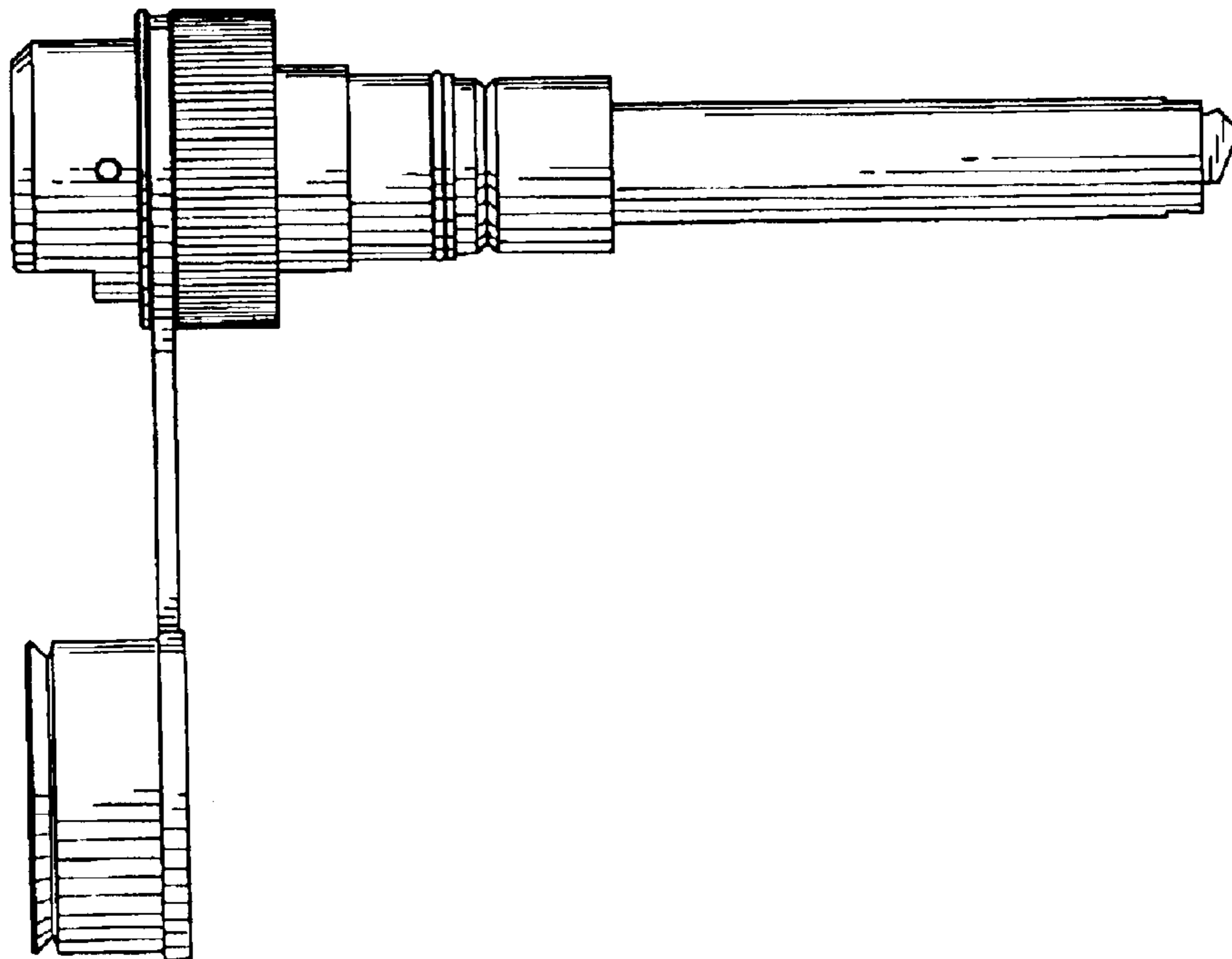


FIG. 3

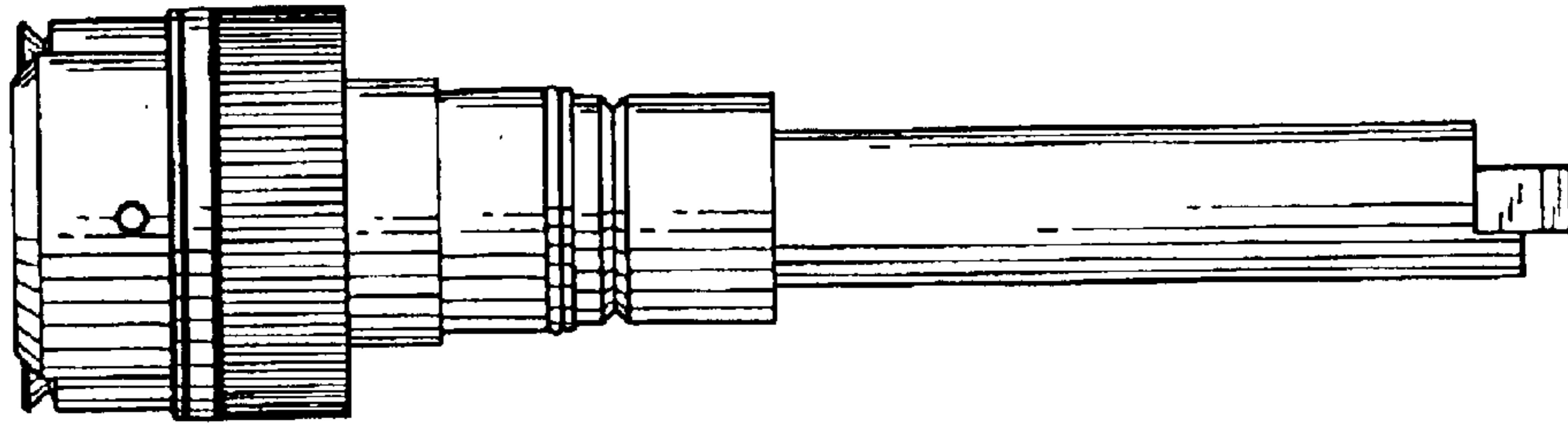


FIG. 4

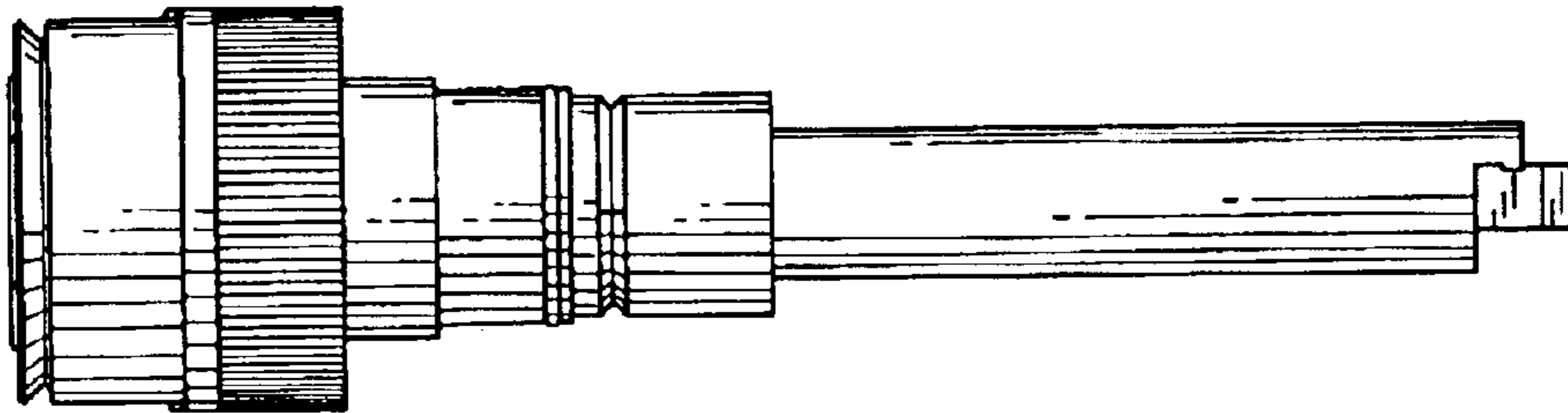


FIG. 6

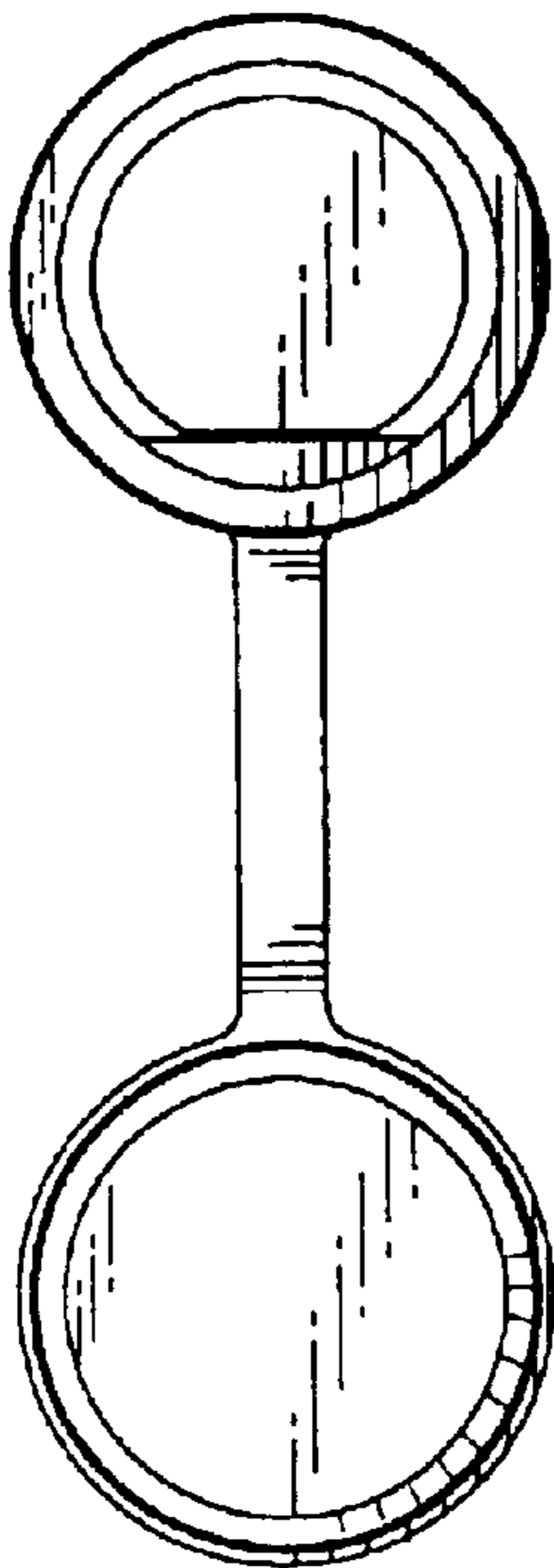


FIG. 5

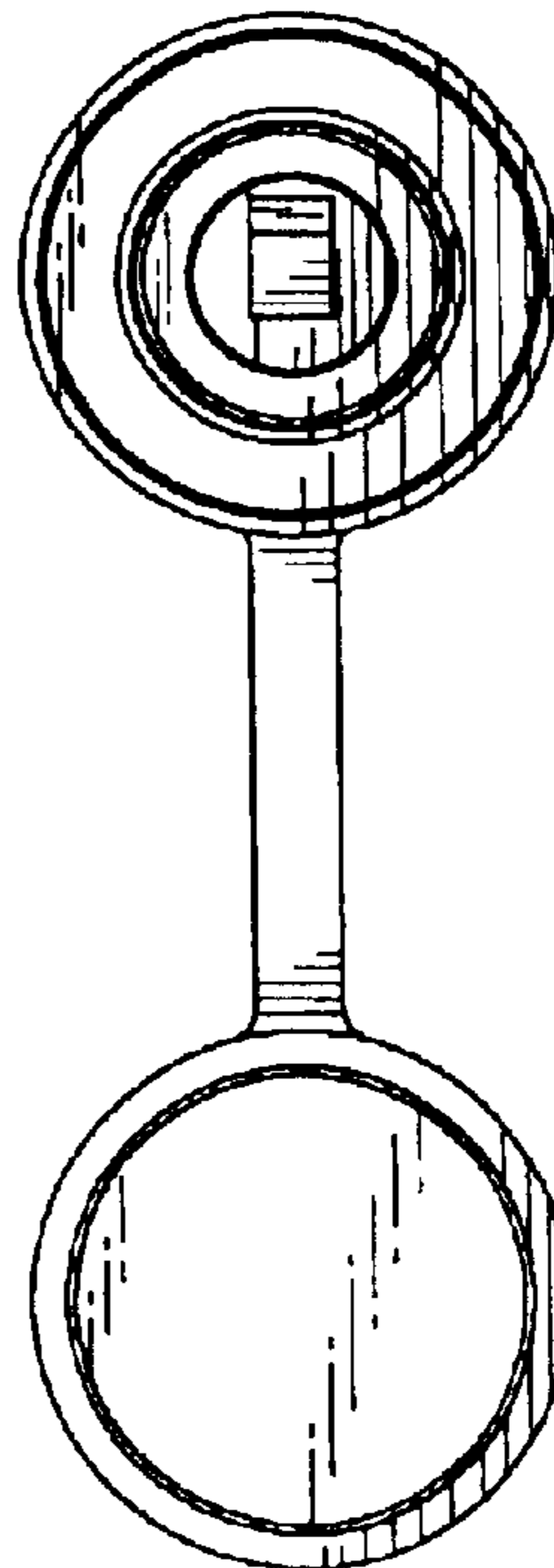


FIG. 7

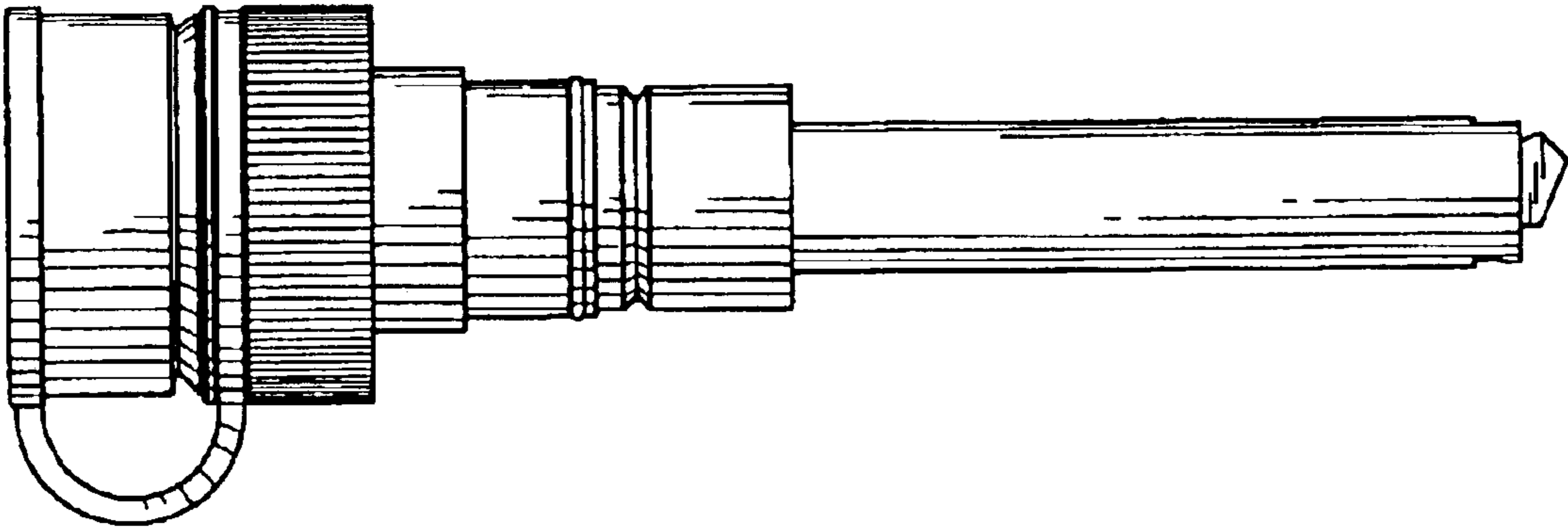


FIG. 8

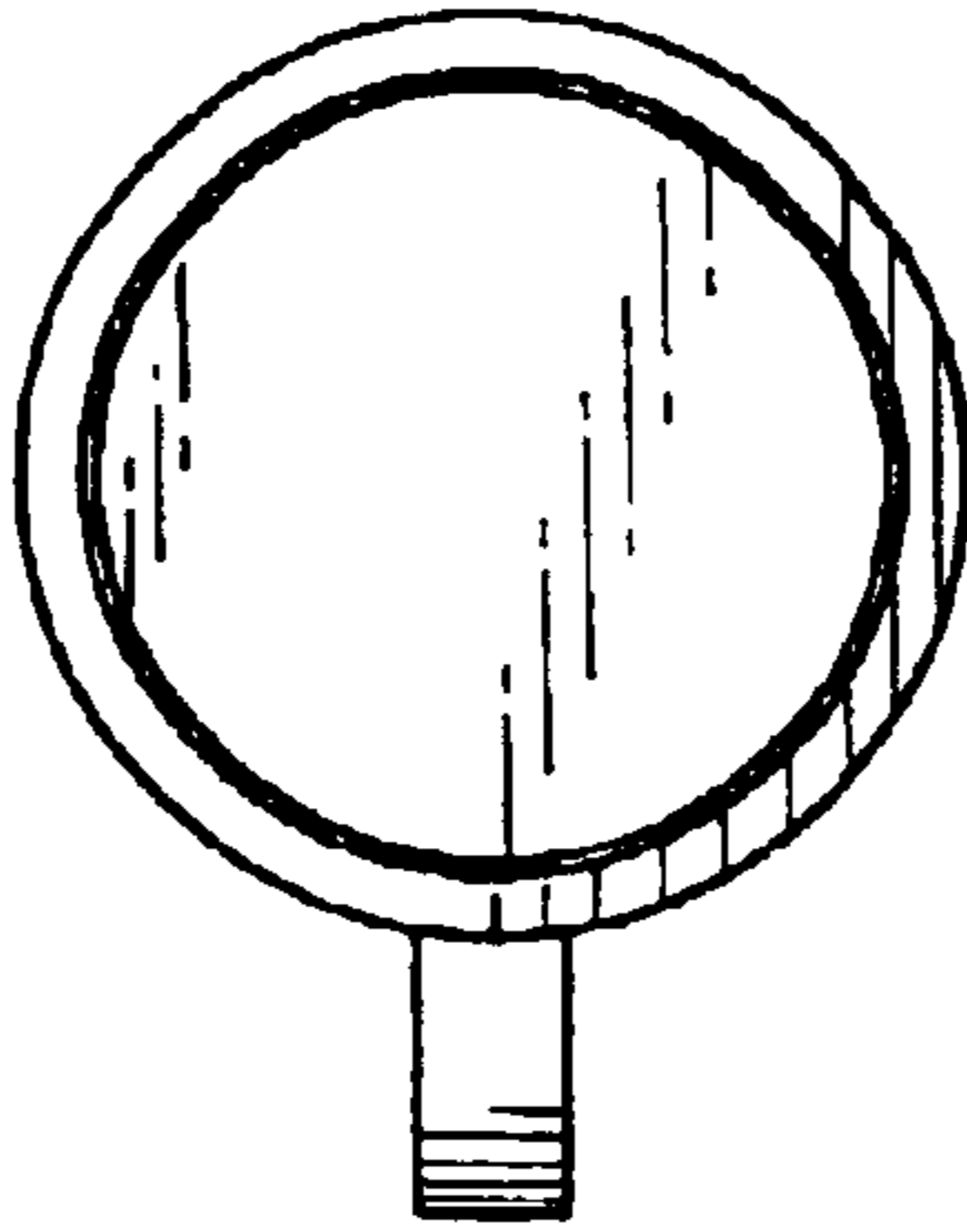


FIG. 9

