

US00D491823S1

(12) **United States Design Patent**
Schwarm

(10) **Patent No.:** **US D491,823 S**
(45) **Date of Patent:** **** Jun. 22, 2004**

(54) **CARPENTER'S SQUARE**

(76) **Inventor:** **Carsten J. Schwarm**, Unit 19, 2871
Darien Road, Burlington, Ontario (CA),
L7M 4K1

(**) **Term:** **14 Years**

(21) **Appl. No.:** **29/188,088**

(22) **Filed:** **Aug. 12, 2003**

(51) **LOC (7) Cl.** **10-04**

(52) **U.S. Cl.** **D10/65; D10/62**

(58) **Field of Search** D10/65, 62, 61;
33/418-429, 474, 475, 476, 451, 480

(56) **References Cited**

U.S. PATENT DOCUMENTS

4,513,510	A	*	4/1985	Swanson	33/419
D290,092	S	*	6/1987	Bies	D10/65
4,742,619	A	*	5/1988	Swanson	33/474
5,170,568	A	*	12/1992	Wright	33/480
D364,574	S	*	11/1995	Utz et al.	D10/62

D416,501	S	*	11/1999	DiGangi et al.	D10/62
6,230,416	B1	*	5/2001	Trigilio	33/474
D465,424	S	*	11/2002	Allemand	D10/65

* cited by examiner

Primary Examiner—Lucy Lieberman
(74) *Attorney, Agent, or Firm*—Hinkle & O'Bradovich,
LLC

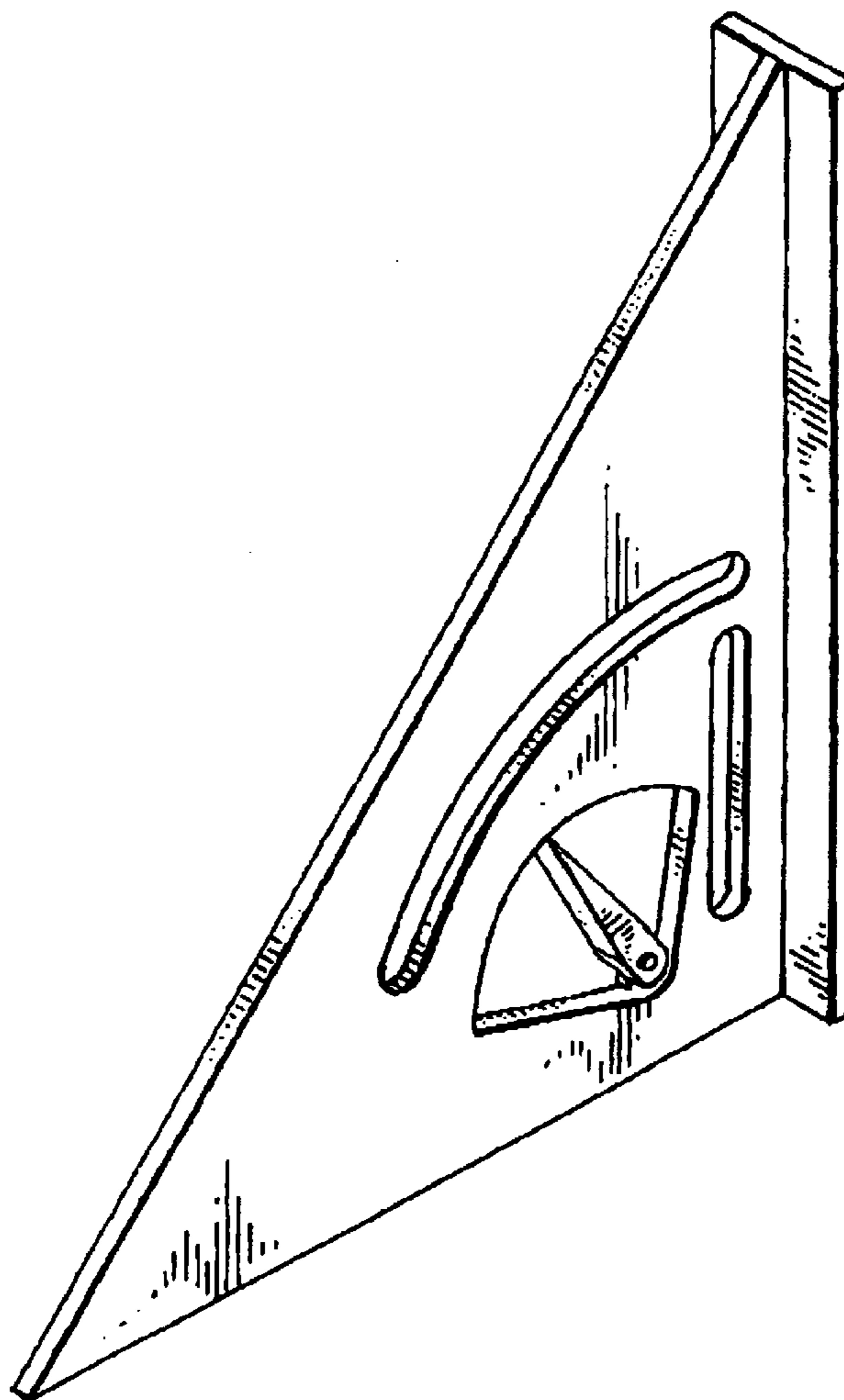
(57) **CLAIM**

The ornamental design for a carpenter's square, as shown and described.

DESCRIPTION

FIG. 1 is an overall perspective view of a carpenter's square showing my new design;
FIG. 2 is a left side elevation view thereof;
FIG. 3 is a rear elevation view thereof;
FIG. 4 is a top plan view thereof;
FIG. 5 is a right side elevation view thereof;
FIG. 6 is a front elevation view thereof; and,
FIG. 7 is a bottom plan view thereof.

1 Claim, 2 Drawing Sheets



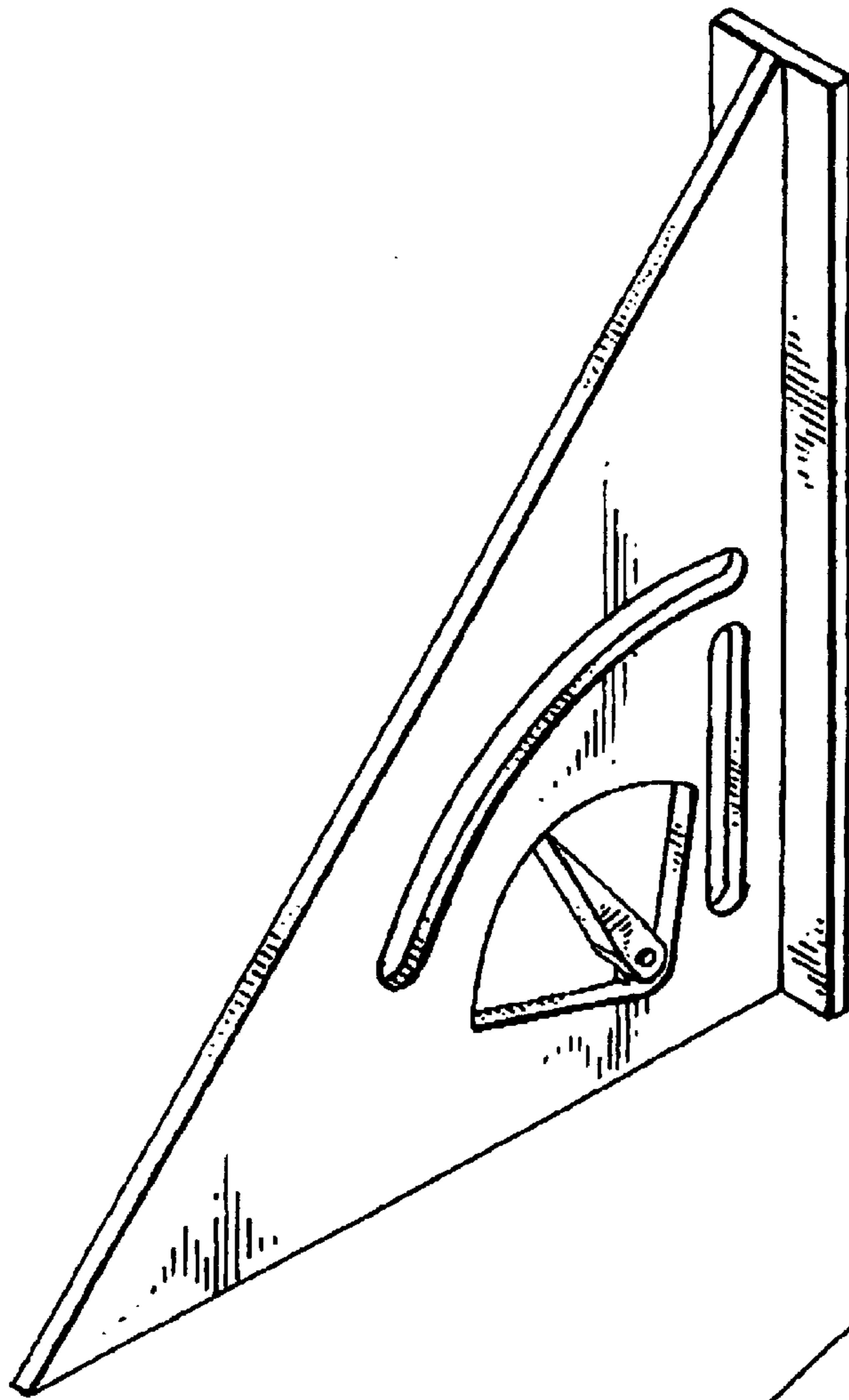


Fig. 1

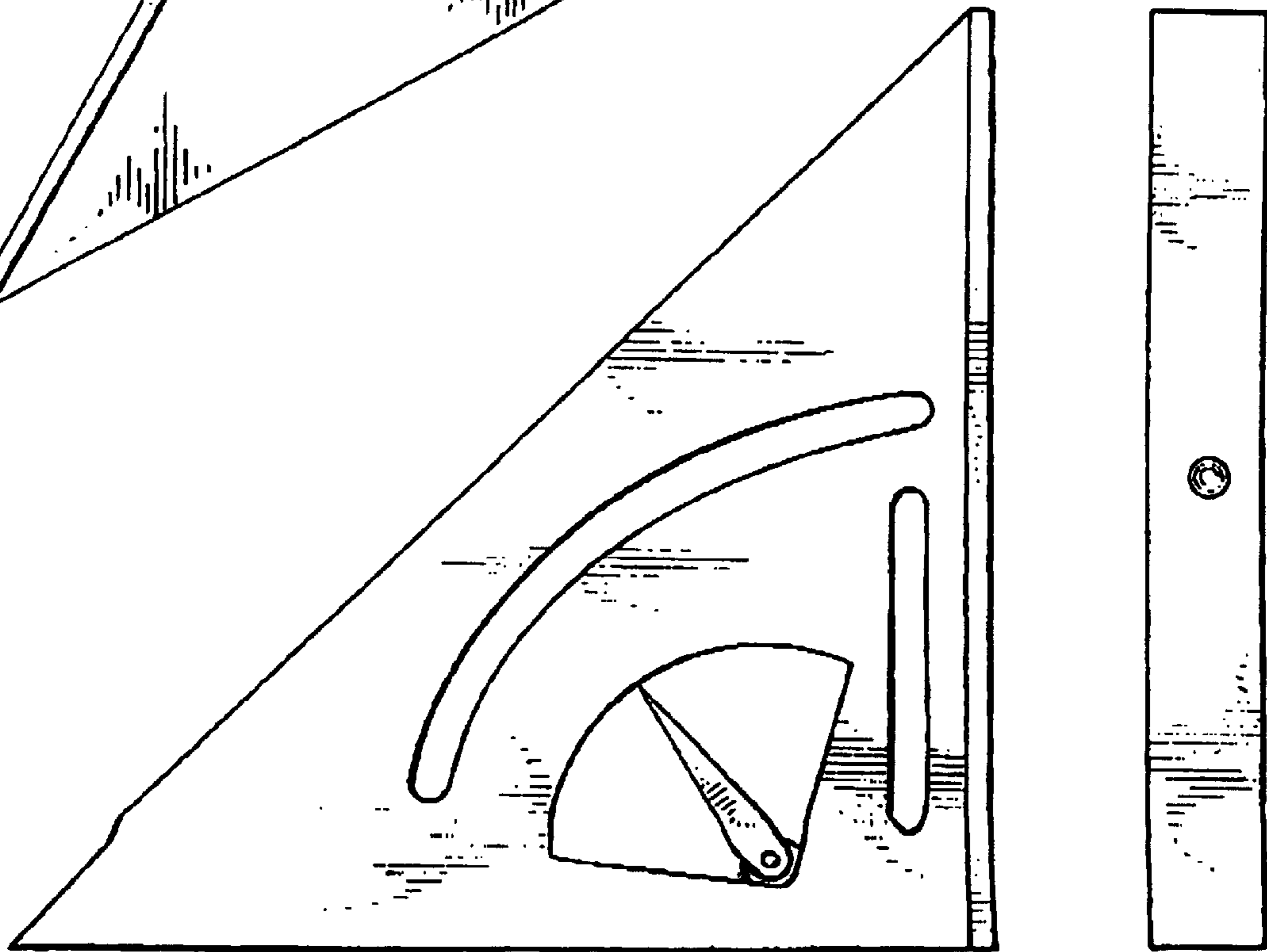


Fig. 2

Fig. 3

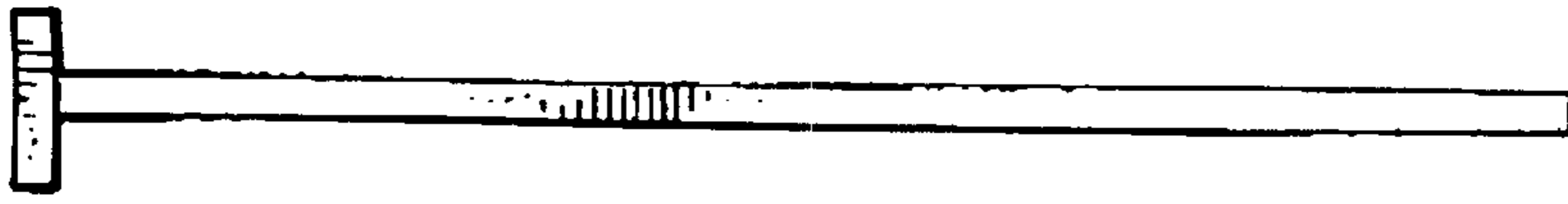


Fig. 4

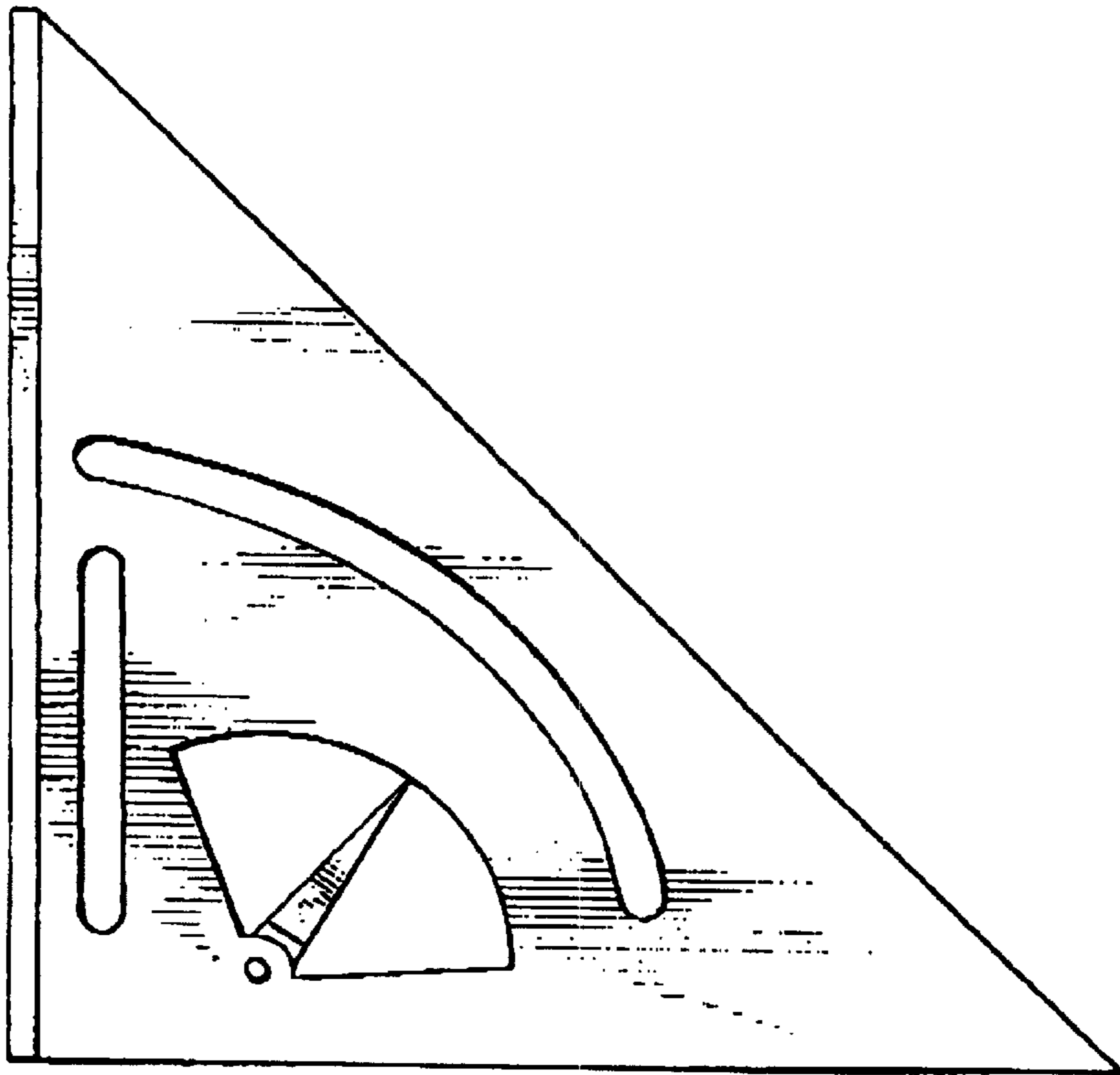


Fig. 5

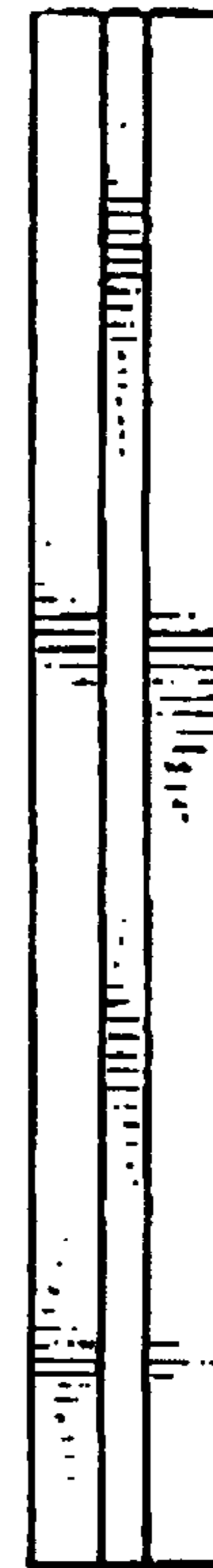


Fig. 6

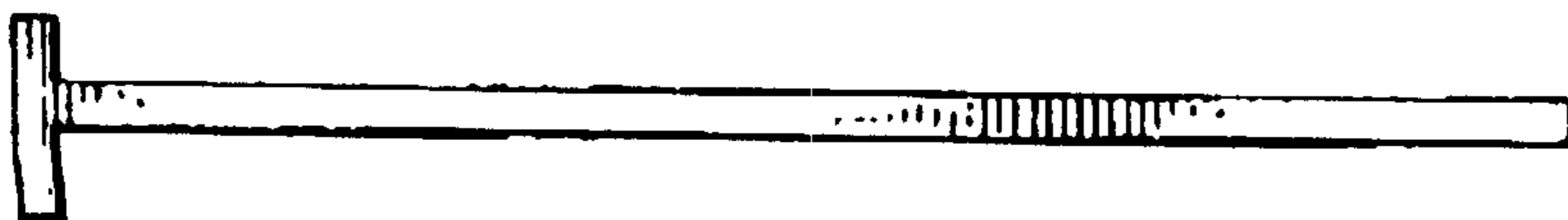


Fig. 7