

US00D491821S1

(12) **United States Design Patent**
Ho et al.

(10) **Patent No.:** **US D491,821 S**
(45) **Date of Patent:** **** Jun. 22, 2004**

(54) **THERMOSTAT CONTROL**

(76) Inventors: **Joseph Ho**, 2341 Glenstone Ave.,
Hacienda Heights, CA (US) 91745;
Cheng-Kwan Lin, No. 4, 4F, Lane 1,
Kang-Chien Road, Taipei (TW)

(**) Term: **14 Years**

(21) Appl. No.: **29/182,980**

(22) Filed: **Jun. 3, 2003**

(51) **LOC (7) Cl.** **10-04**

(52) **U.S. Cl.** **D10/50**

(58) **Field of Search** D10/49-50; 236/1 B,
236/46 R, 47, 49.3, 87, 94; 337/380; 364/557;
165/11.1, 12, 22

(56) **References Cited**

U.S. PATENT DOCUMENTS

D208,814 S	*	10/1967	Smith	D10/50
D254,052 S		1/1980	Wolfe		
D288,670 S		3/1987	Steiner		
4,895,455 A		1/1990	Horning		
D309,447 S	*	7/1990	Bandari	D13/158
D377,909 S	*	2/1997	Smith	D10/50
D390,482 S		2/1998	Pasquarette		

* cited by examiner

Primary Examiner—Antoine D. Davis
(74) *Attorney, Agent, or Firm*—Philip K. Yu; East IP
Group; Birch Stewart, LLP

(57) **CLAIM**

The ornamental design for a thermostat control, as shown
and described.

DESCRIPTION

FIG. 1 is a perspective view from the top front of the
preferred embodiment of the thermostat control showing our
new design;

FIG. 2 is a front view of the preferred embodiment of the
thermostat control showing our new design. The numerals
shown are for illustrations purposes and form no part of the
claimed design;

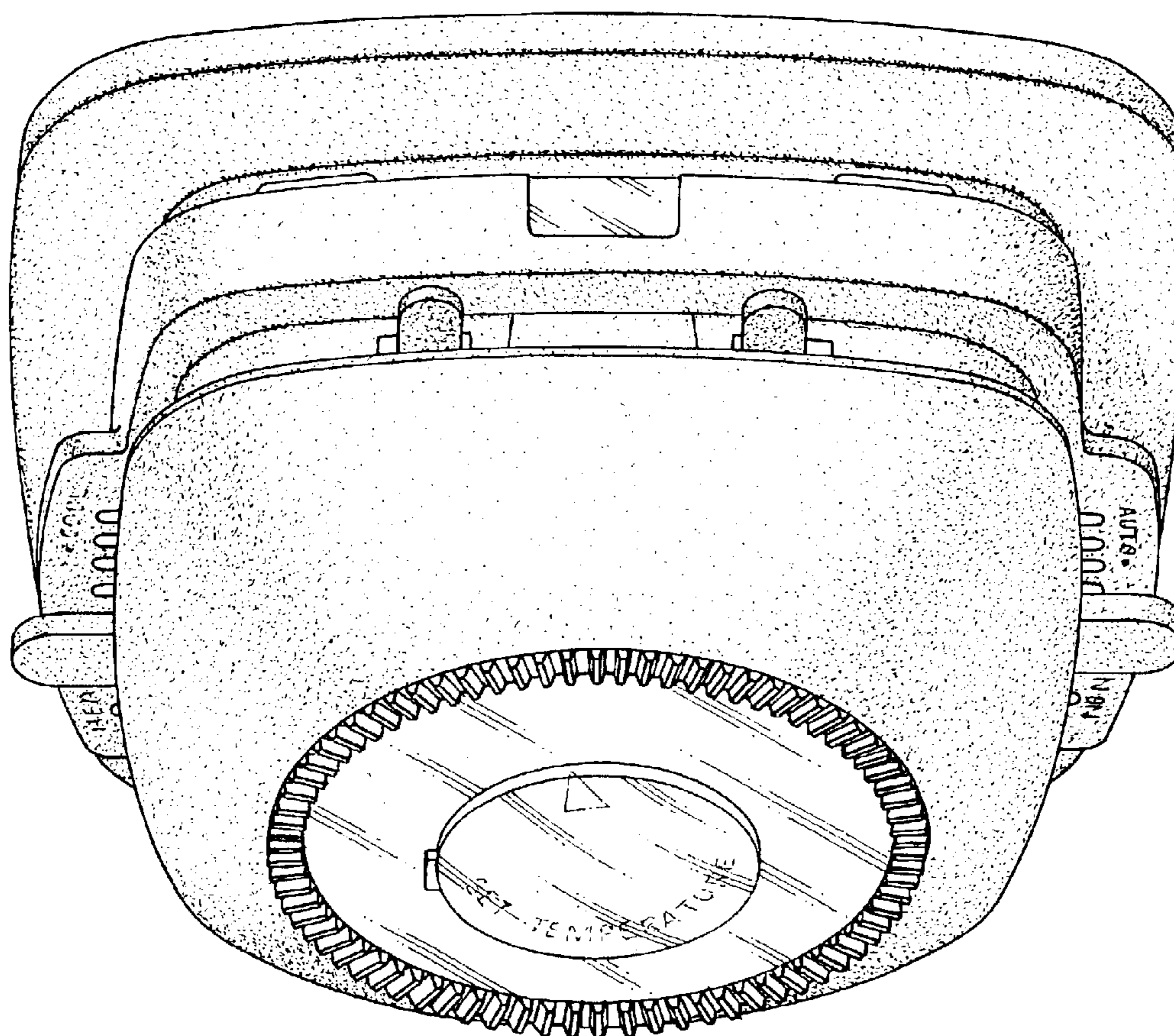
FIG. 3 is a bottom view of the preferred embodiment of the
thermostat control showing our new design;

FIG. 4 is a top view of the preferred embodiment of the
thermostat control showing our new design;

FIG. 5 is a right side view of the preferred embodiment of
the thermostat control showing our new design; and,

FIG. 6 is a left side view of the preferred embodiment of the
thermostat control showing our new design.

1 Claim, 3 Drawing Sheets



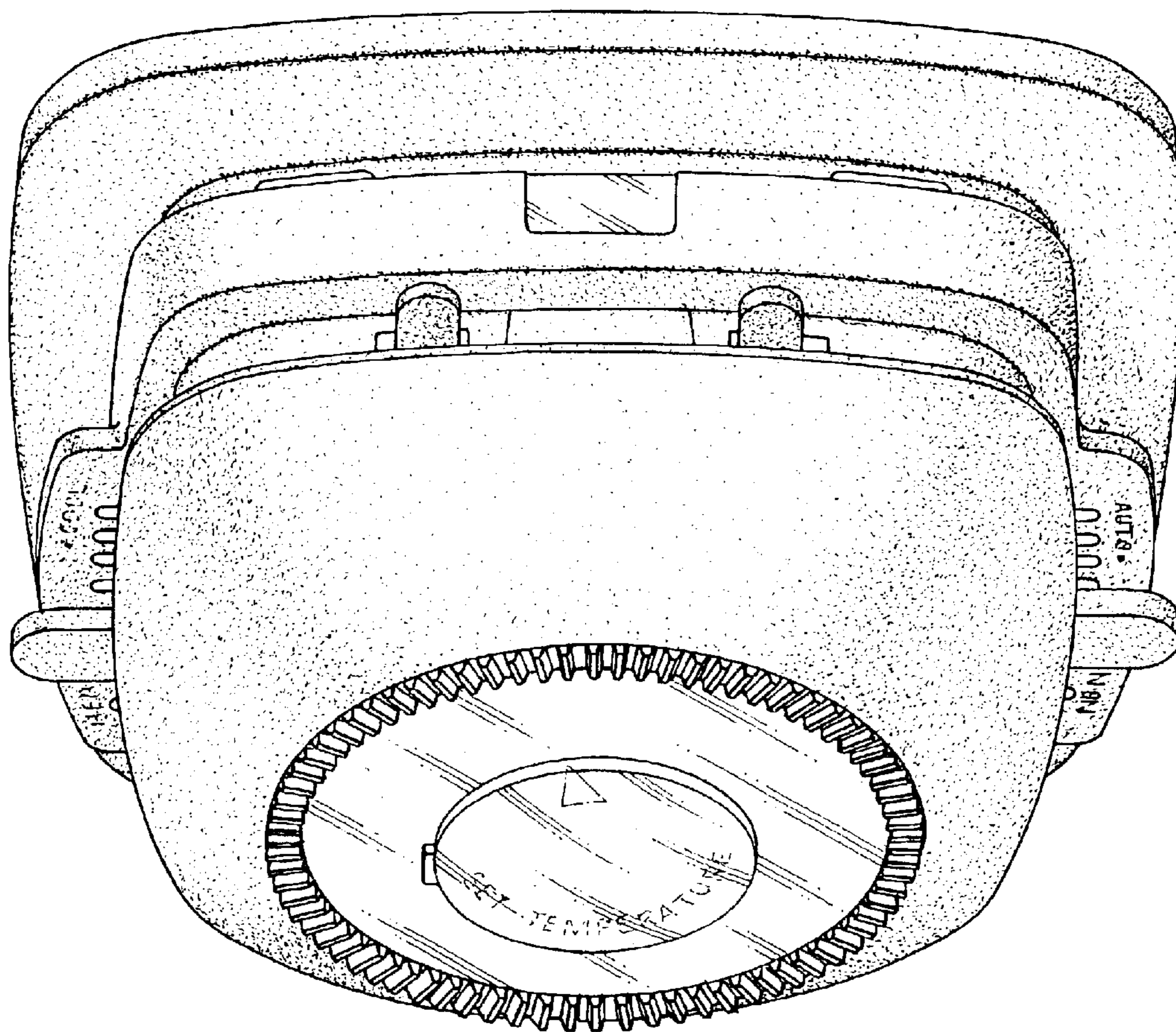


FIG. 1.

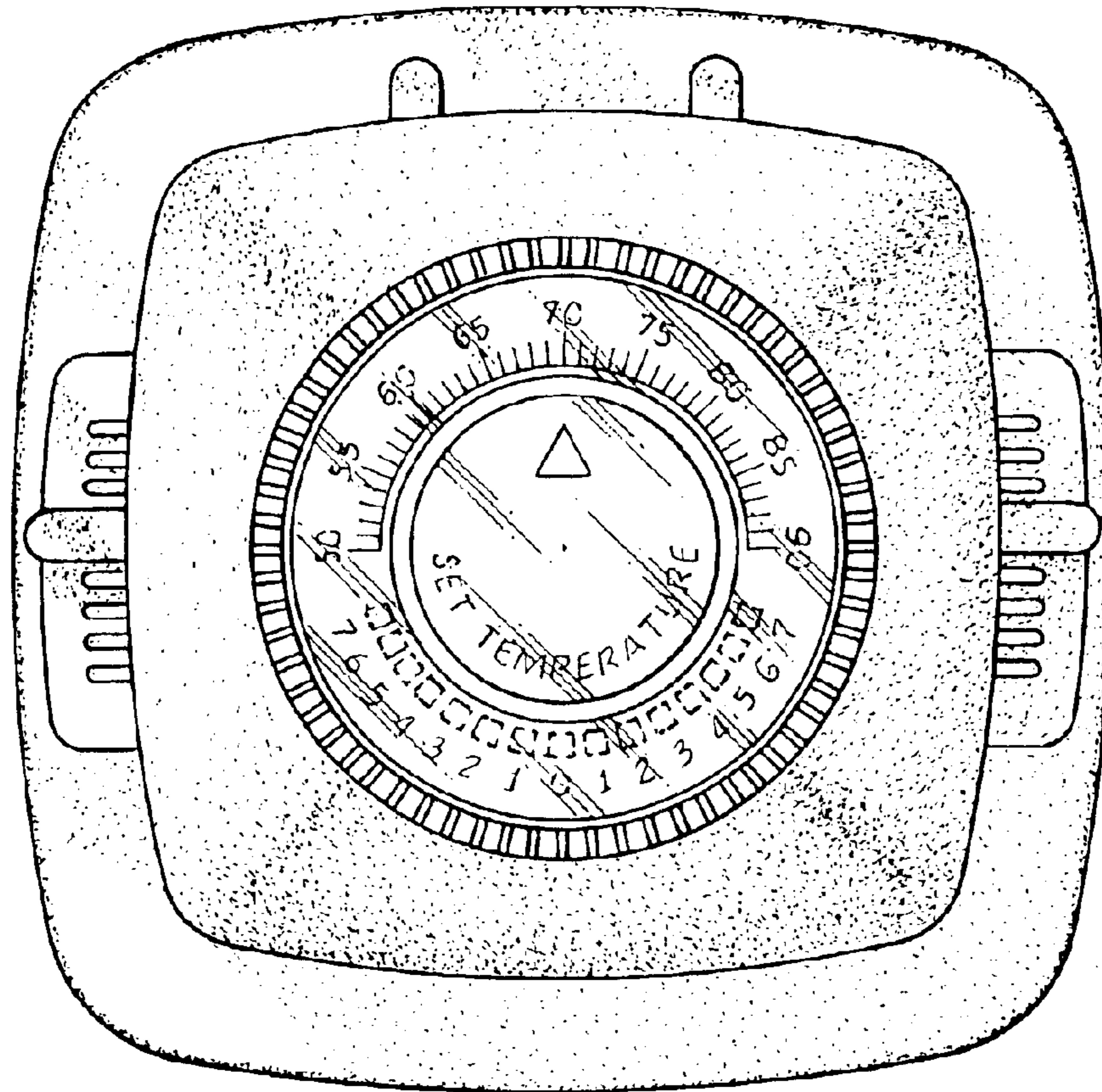


FIG. 2.

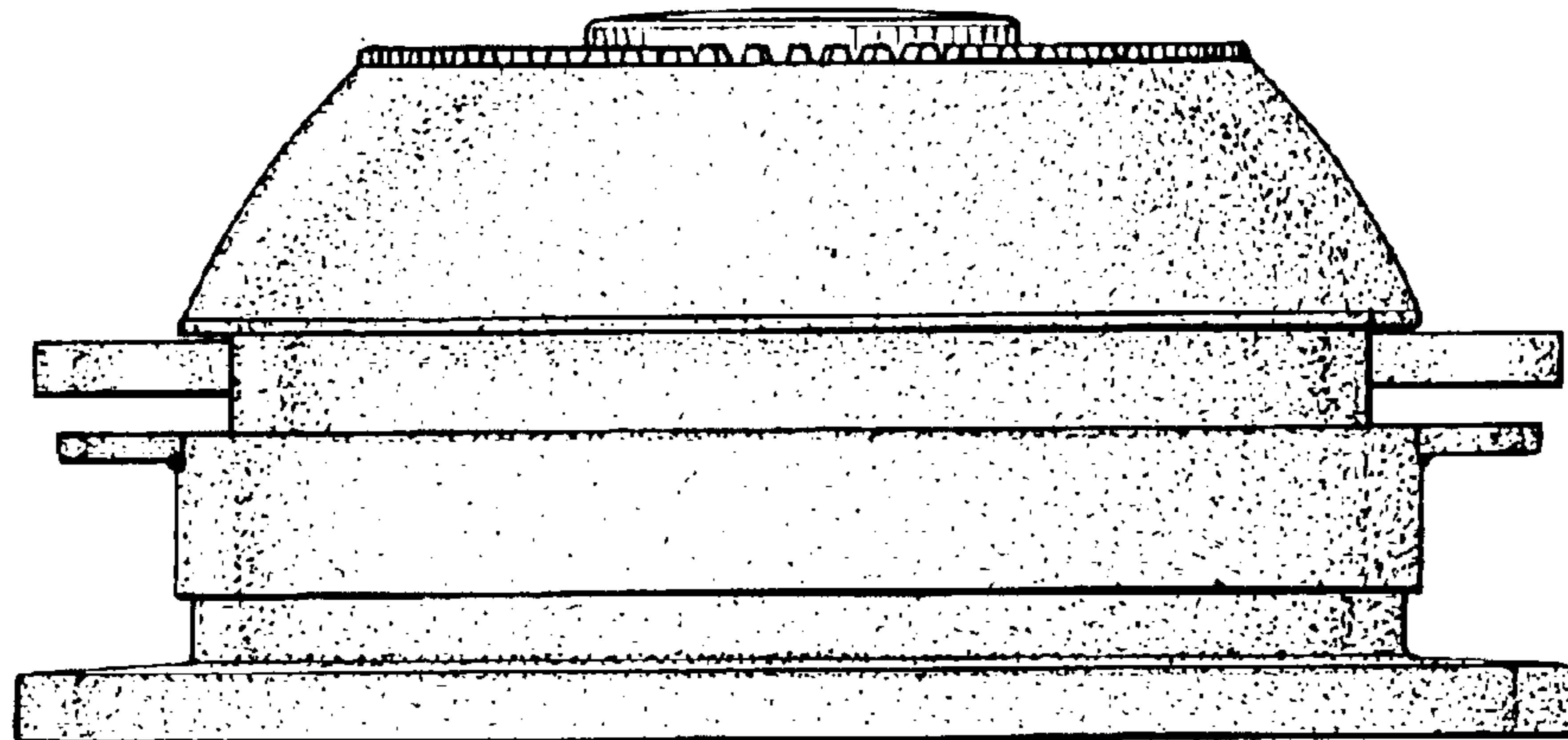


FIG. 3.

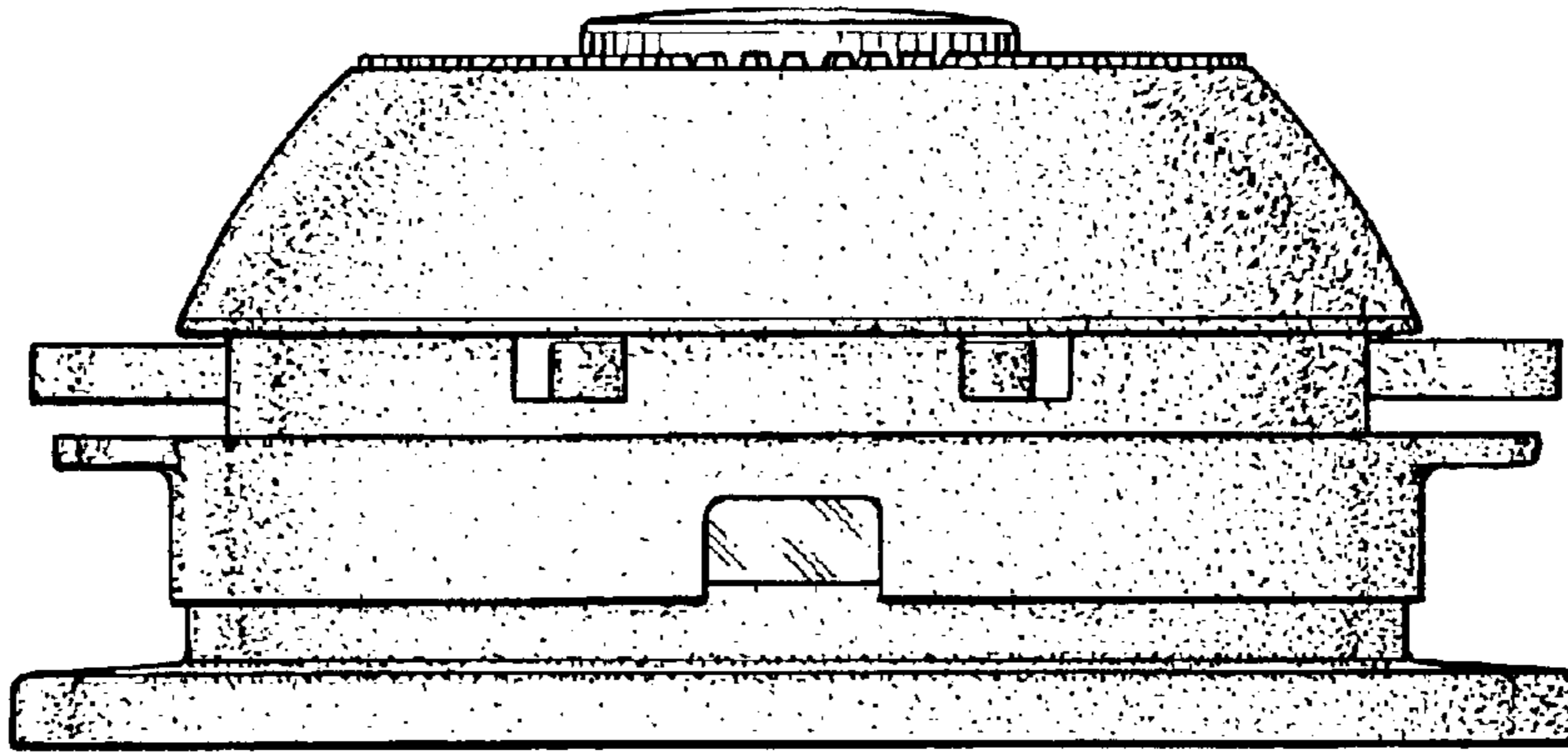


FIG. 4.

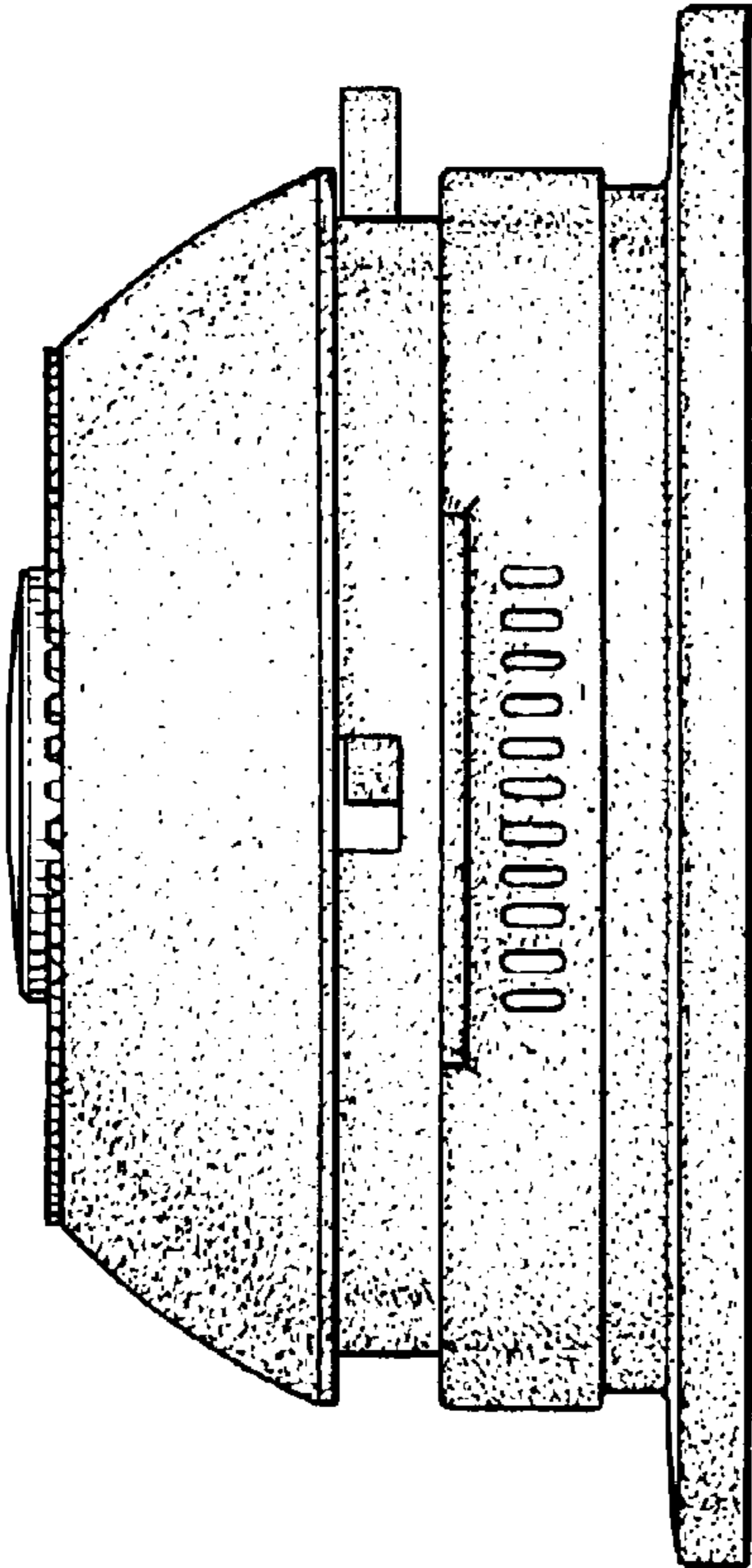


FIG. 5.

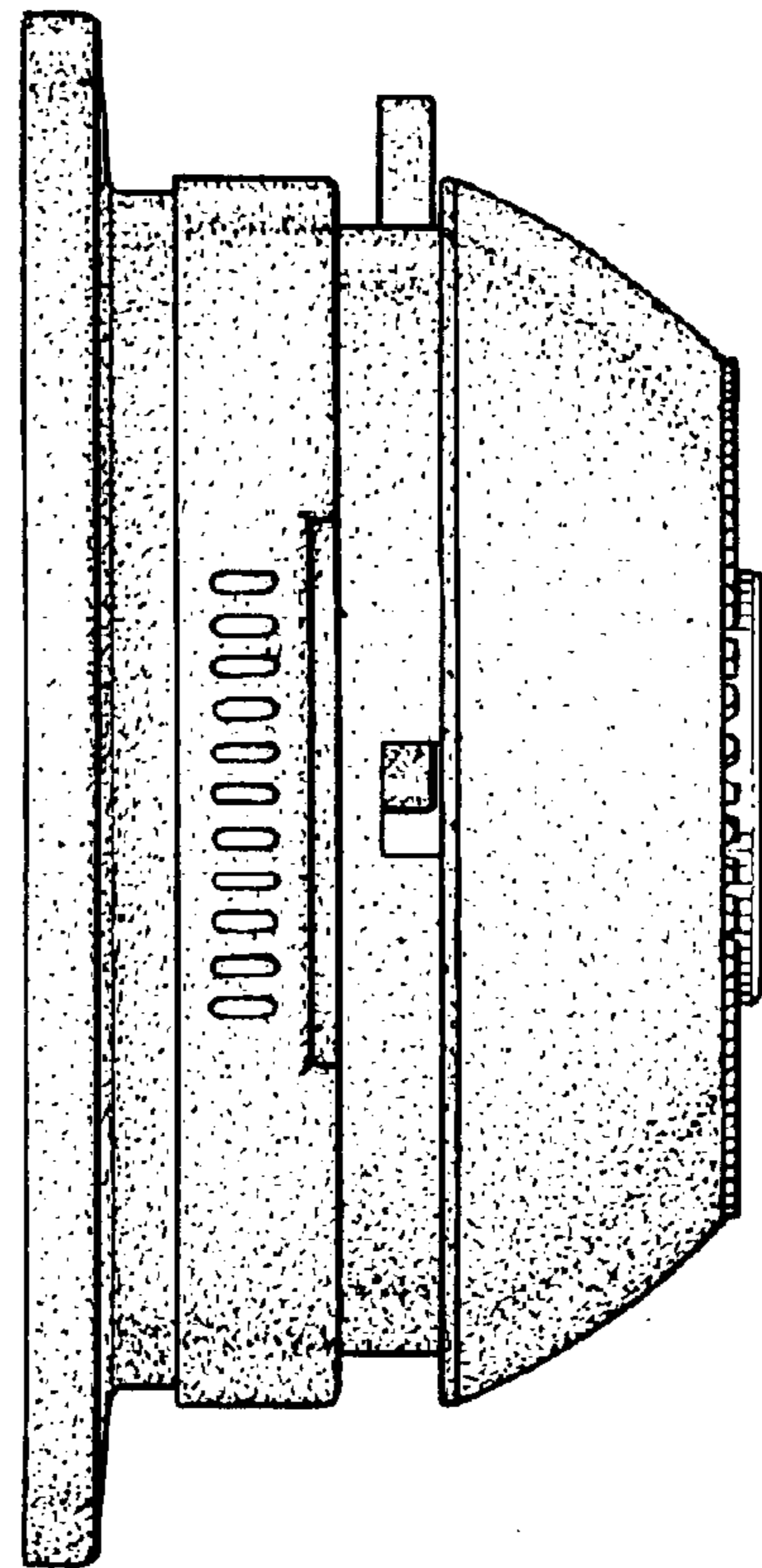


FIG. 6.