

US00D491817S1

(12) **United States Design Patent**
Bonnet

(10) **Patent No.:** **US D491,817 S**
(45) **Date of Patent:** **** Jun. 22, 2004**

(54) **WATCHCASE**

D462,623 S * 9/2002 Fujihara D10/30

(75) **Inventor:** **Eric Bonnet**, La Chaux-de-Fonds (CH)

* cited by examiner

(73) **Assignee:** **Môvado LLC**, Wilmington, DE (US)

Primary Examiner—Nelson C. Holtje

(**) **Term:** **14 Years**

(74) *Attorney, Agent, or Firm*—Fross Zelnick Lehrman & Zissu, P.C.; David I. Greenbaum; Lawrence E. Aþolzon

(21) **Appl. No.:** **29/183,499**

(57) **CLAIM**

(22) **Filed:** **Jun. 11, 2003**

The ornamental design for a watchcase, as shown and described.

(51) **LOC (7) Cl.** **10-02**

DESCRIPTION

(52) **U.S. Cl.** **D10/30**

(58) **Field of Search** D10/1-40, 122-132;
368/280-282, 276-277, 285, 294-295

FIG. 1 is a perspective view of a watchcase showing the new design;

(56) **References Cited**

U.S. PATENT DOCUMENTS

- 3,911,665 A * 10/1975 Berkum 368/80
- D383,402 S * 9/1997 Takeichi D10/39
- D413,525 S * 9/1999 Pun D10/30
- D425,799 S * 5/2000 Hysek D10/32
- D434,679 S * 12/2000 Dumas D10/39
- D436,047 S * 1/2001 Giardiello D10/32
- D444,396 S * 7/2001 Tripet D10/32
- D447,700 S * 9/2001 Glauser D10/32
- D450,600 S * 11/2001 Scarinzi D10/32
- D451,036 S * 11/2001 Zuckerman et al. D10/32

FIG. 2 is a top view of the watchcase shown in FIG. 1;
FIG. 3 is a bottom view of the watchcase shown in FIG. 1;
FIG. 4 is a right side view of the watchcase shown in FIG. 1;

FIG. 5 is a left side view of the watchcase shown in FIG. 1;
and,

FIG. 6 is a front view of the watchcase shown in FIG. 1, the rear view being a mirror image thereof.

The broken line showing of a watch face, watch hands, watch band and a crown is for illustrative purposes only and forms no part of the claimed design.

1 Claim, 6 Drawing Sheets

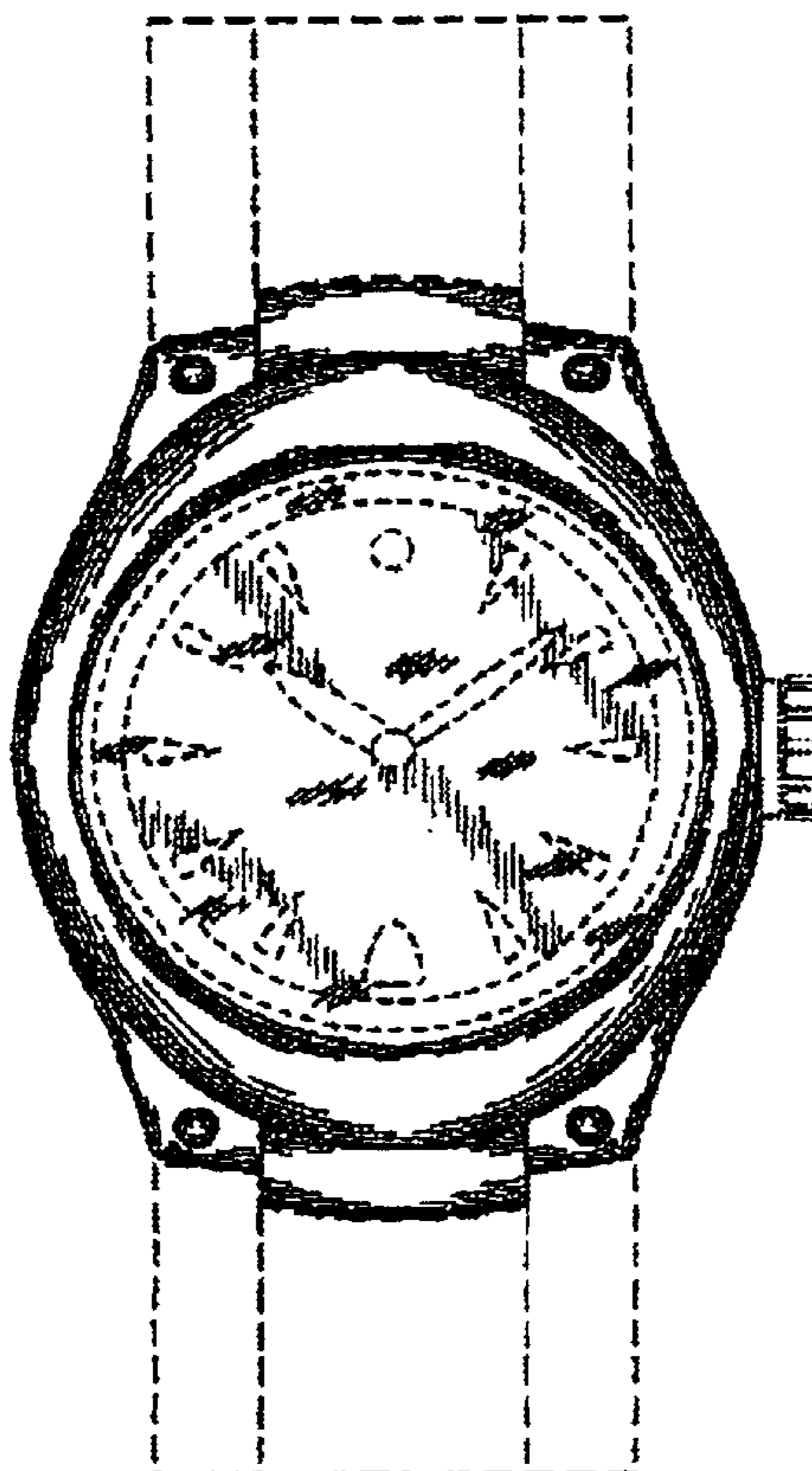




FIG. 1

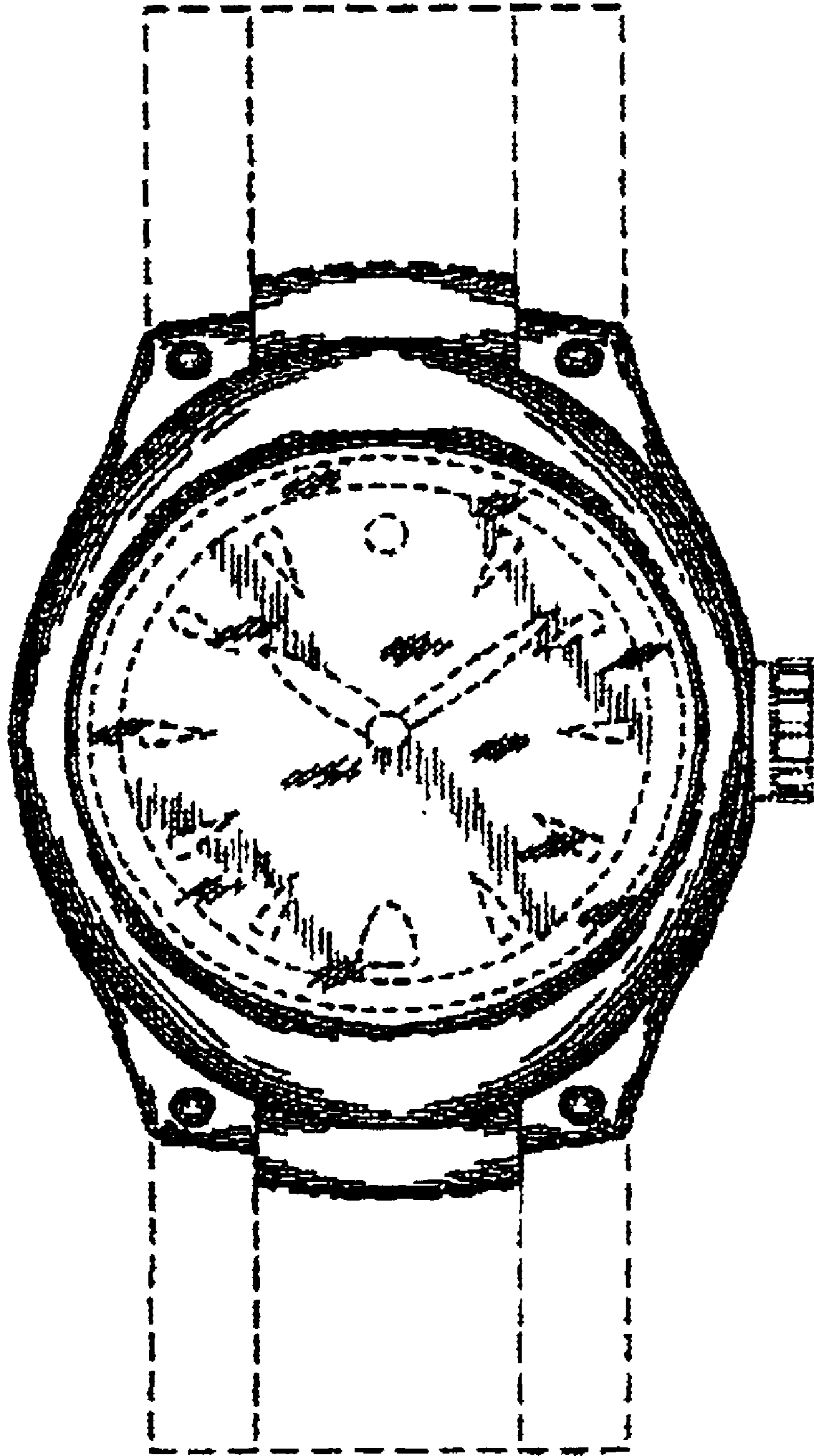


FIG. 2

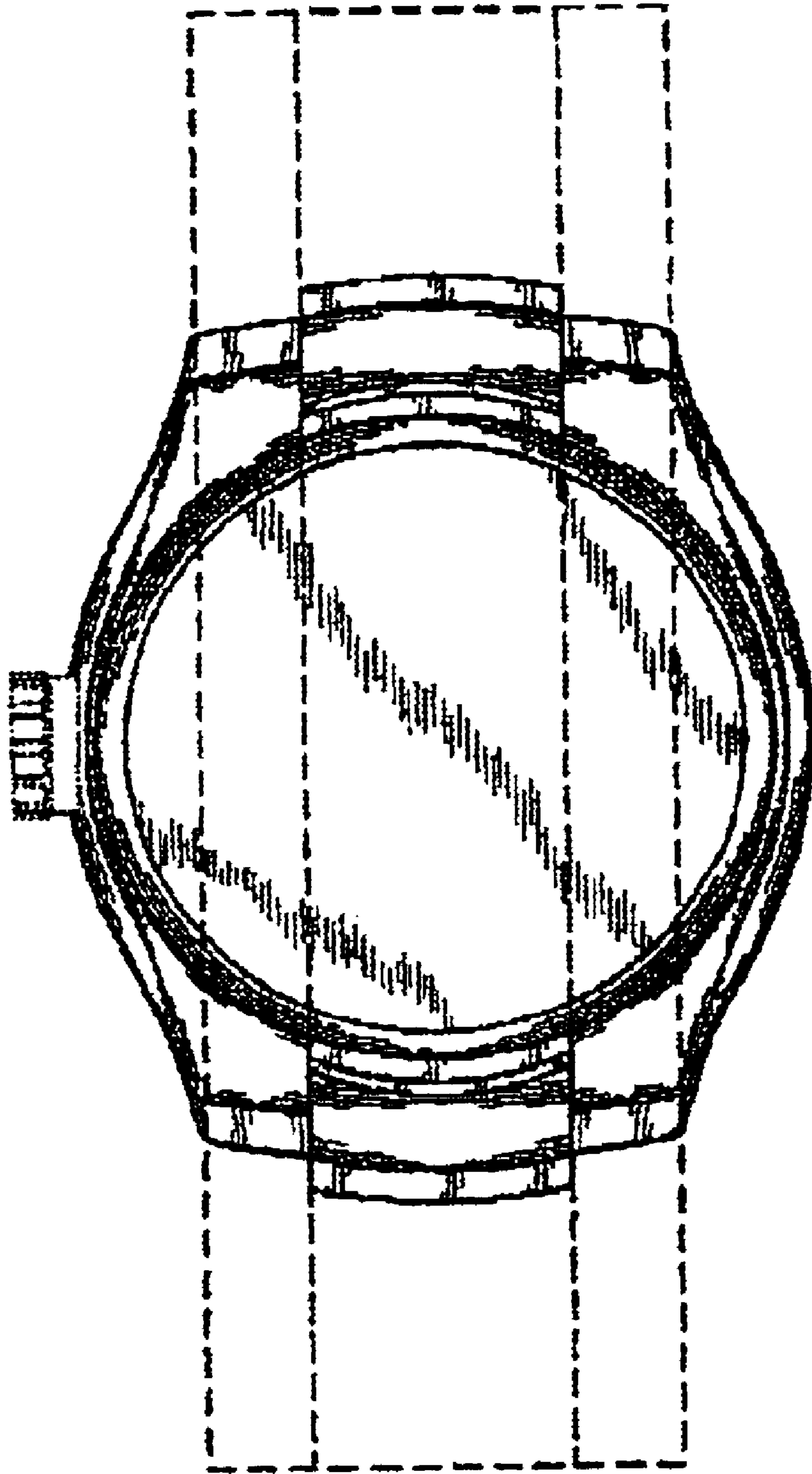


FIG. 3

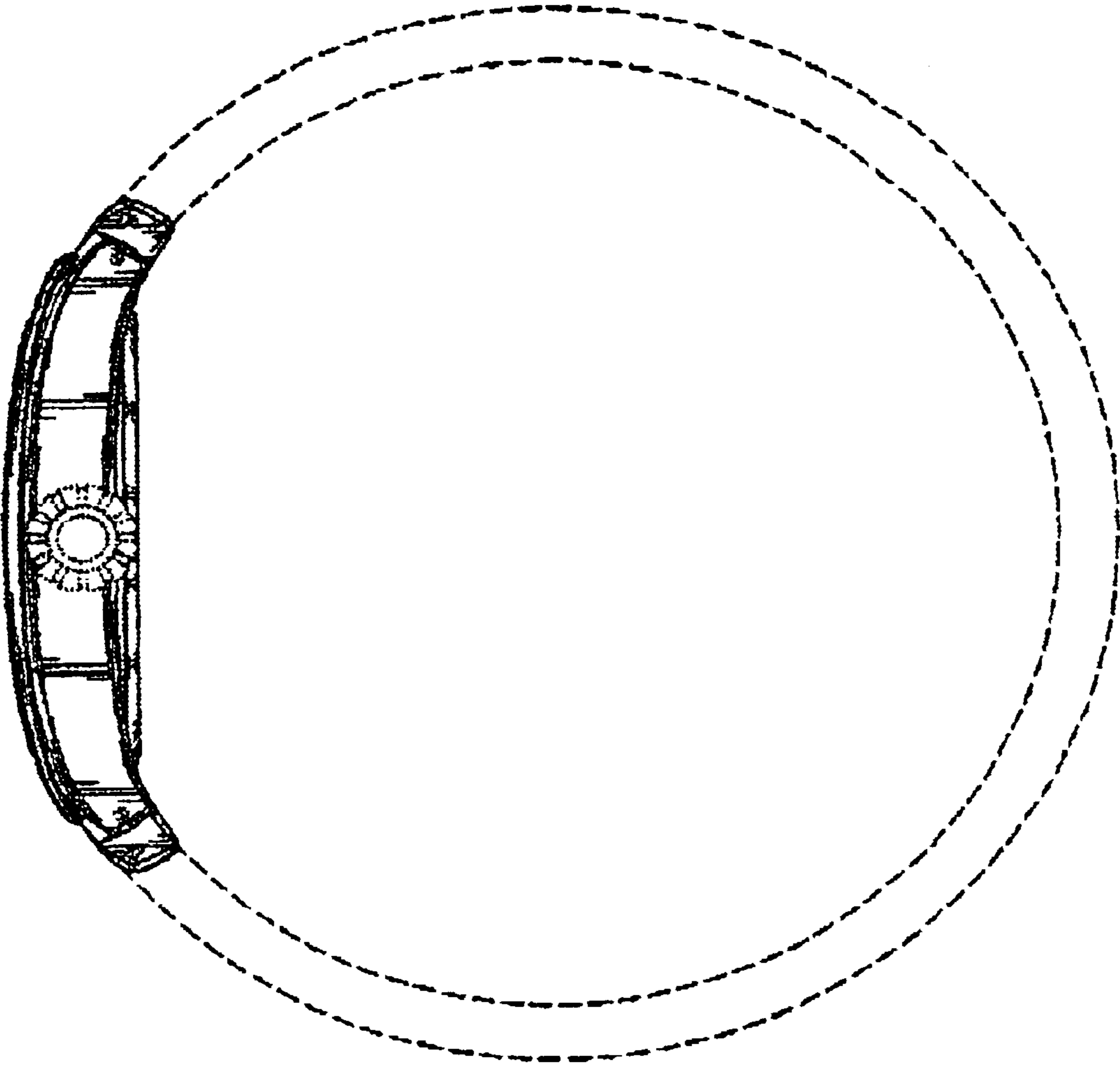


FIG. 4

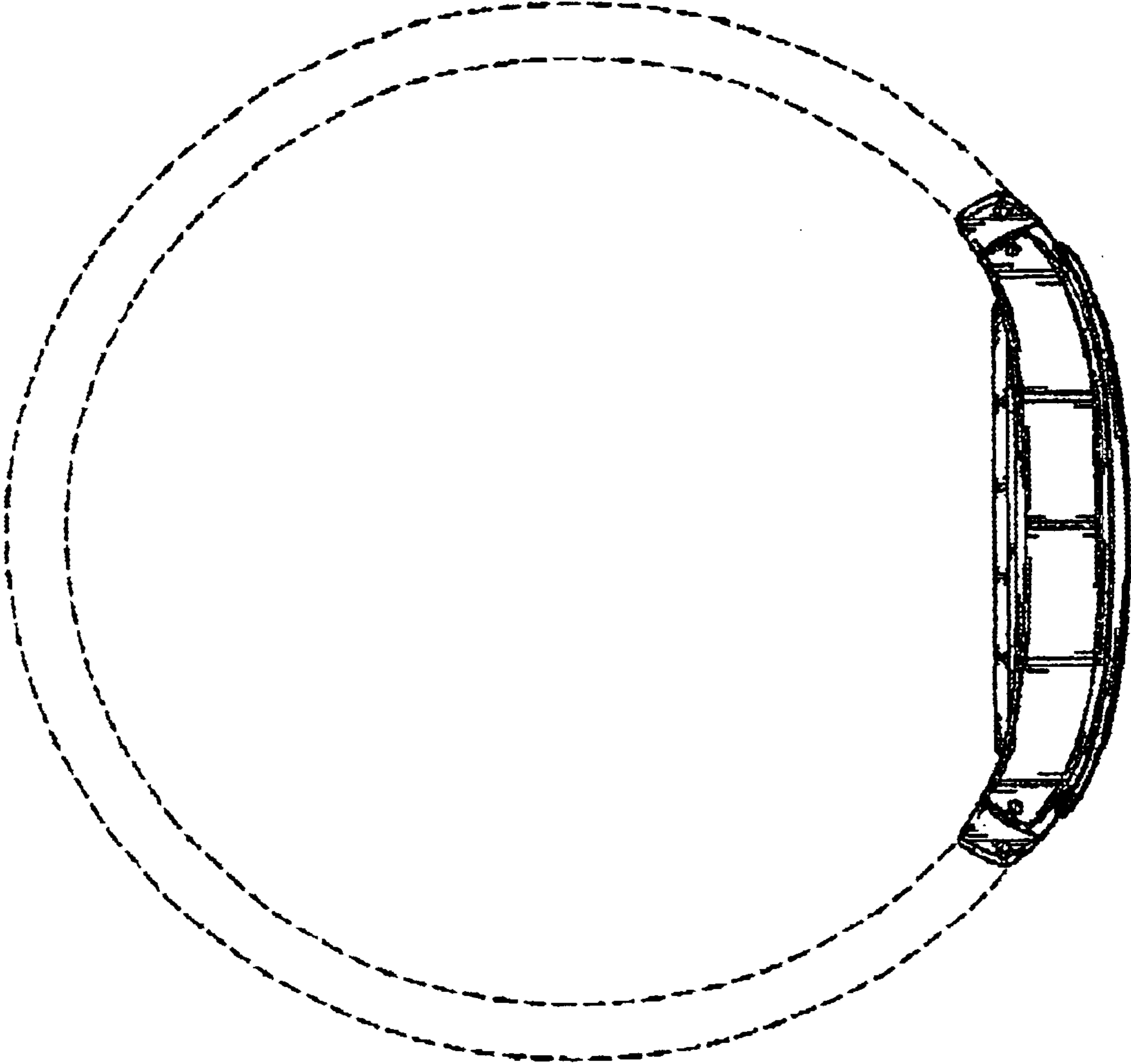


FIG. 5

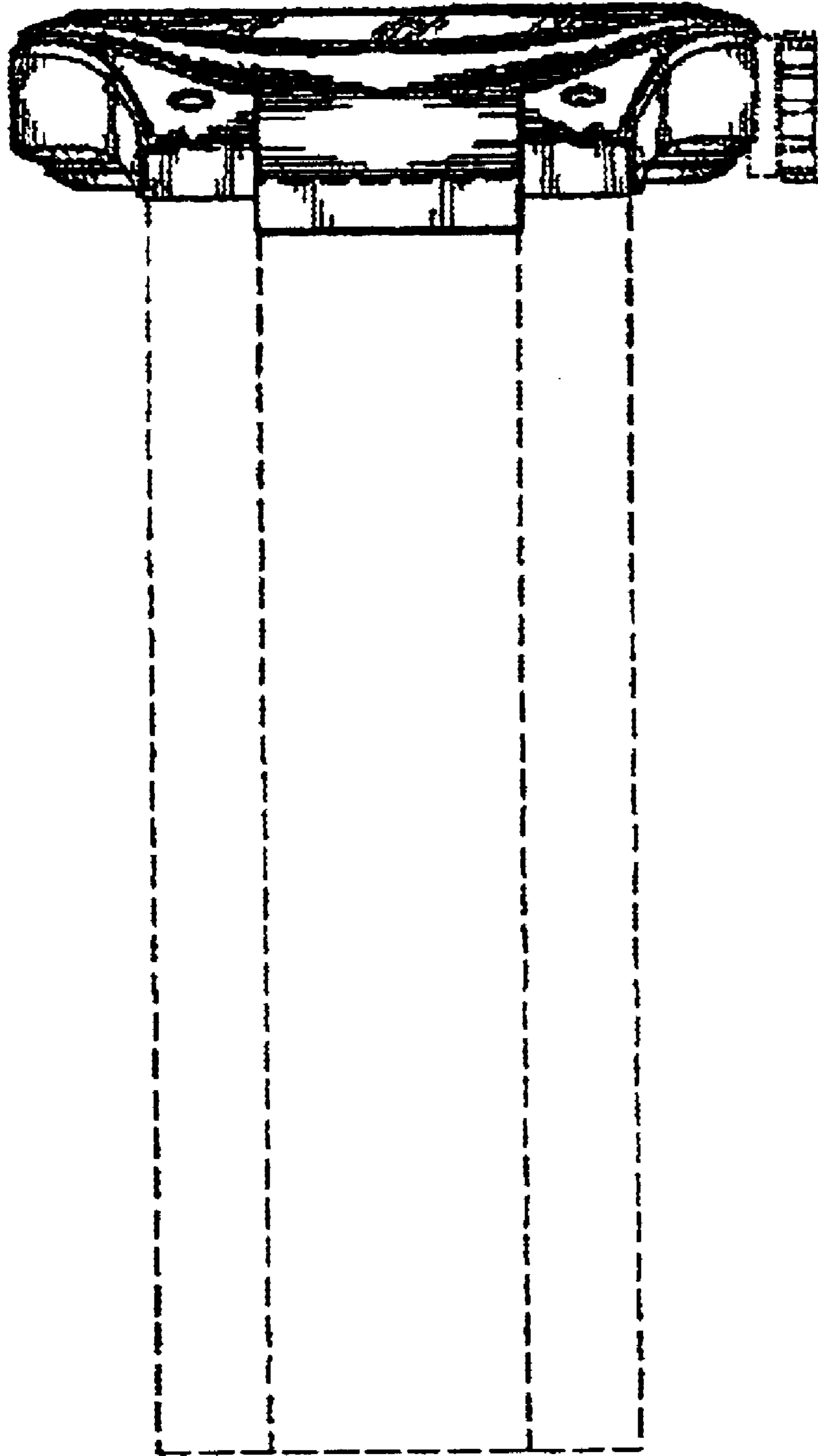


FIG. 6

UNITED STATES PATENT AND TRADEMARK OFFICE
CERTIFICATE OF CORRECTION

PATENT NO. : Des. 491,817 S
DATED : June 22, 2004
INVENTOR(S) : Eric Bonnet

Page 1 of 8

It is certified that error appears in the above-identified patent and that said Letters Patent is hereby corrected as shown below:

On the title page, showing an illustrative figure, should be deleted and substitute therefor the attached title page.

Delete Drawings Sheets 1-6 and substitute therefore the drawings sheets consisting of Drawing Sheets 1-6 as shown on the attached pages.

Signed and Sealed this

Fifteenth Day of March, 2005

A handwritten signature in black ink on a light gray dotted background. The signature reads "Jon W. Dudas" in a cursive style.

JON W. DUDAS

Director of the United States Patent and Trademark Office

(12) **United States Design Patent** (10) Patent No.: **US D491,817 S**
Bonnet (45) Date of Patent: **** Jun. 22, 2004**

(54) **WATCHCASE** D462,623 S * 9/2002 Fujihara D10/30

(75) Inventor: **Eric Bonnet, La Chaux-de-Fonds (CH)** * cited by examiner

(73) Assignee: **Môvado LLC, Wilmington, DE (US)** *Primary Examiner*—Nelson C. Holtje
 (74) *Attorney, Agent, or Firm*—Fross Zelnick Lehrman & Zissu, P.C.; David I. Greenbaum; Lawrence E. Aþolzon

(**) Term: **14 Years**

(21) Appl. No.: **29/183,499**

(22) Filed: **Jun. 11, 2003**

(51) **LOC (7) Cl.** **10-02**

(52) **U.S. Cl.** **D10/30**

(58) **Field of Search** **D10/1-40, 122-132;**
368/280-282, 276-277, 285, 294-295

(56) **References Cited**

U.S. PATENT DOCUMENTS

3,911,665 A	* 10/1975	Berkum	368/80
D383,402 S	* 9/1997	Takeichi	D10/39
D413,525 S	* 9/1999	Pun	D10/30
D425,799 S	* 5/2000	Hysek	D10/32
D434,679 S	* 12/2000	Dumas	D10/39
D436,047 S	* 1/2001	Giardiello	D10/32
D444,396 S	* 7/2001	Tripet	D10/32
D447,700 S	* 9/2001	Glauser	D10/32
D450,600 S	* 11/2001	Scarlinzi	D10/32
D451,036 S	* 11/2001	Zuckerman et al.	D10/32

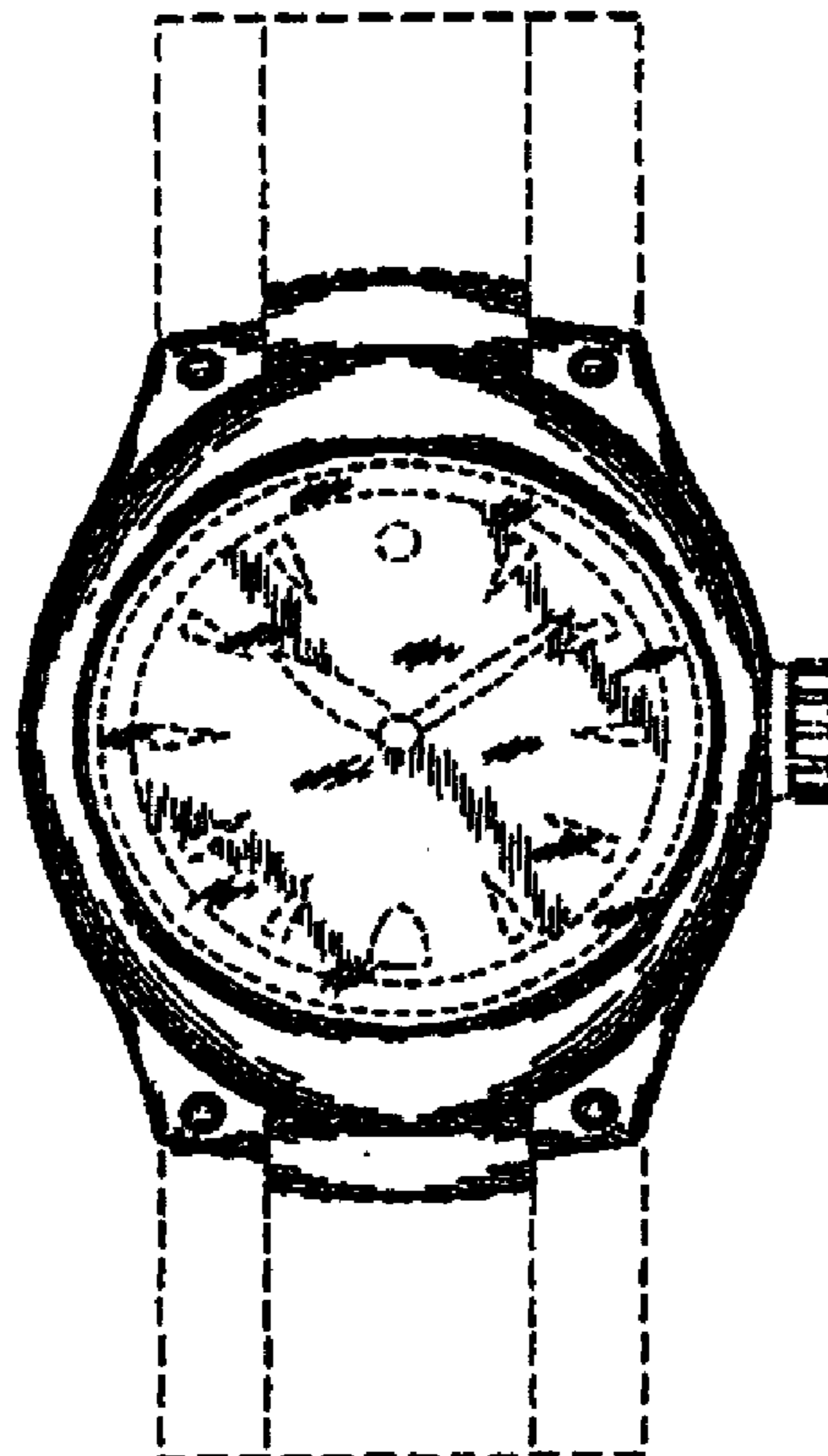
(57) **CLAIM**

The ornamental design for a watchcase, as shown and described.

DESCRIPTION

FIG. 1 is a perspective view of a watchcase showing the new design;
 FIG. 2 is a top view of the watchcase shown in FIG. 1;
 FIG. 3 is a bottom view of the watchcase shown in FIG. 1;
 FIG. 4 is a right side view of the watchcase shown in FIG. 1;
 FIG. 5 is a left side view of the watchcase shown in FIG. 1; and,
 FIG. 6 is a front view of the watchcase shown in FIG. 1, the rear view being a mirror image thereof.
 The broken line showing of a watch face, watch hands, watch band and a crown is for illustrative purposes only and forms no part of the claimed design.

1 Claim, 6 Drawing Sheets



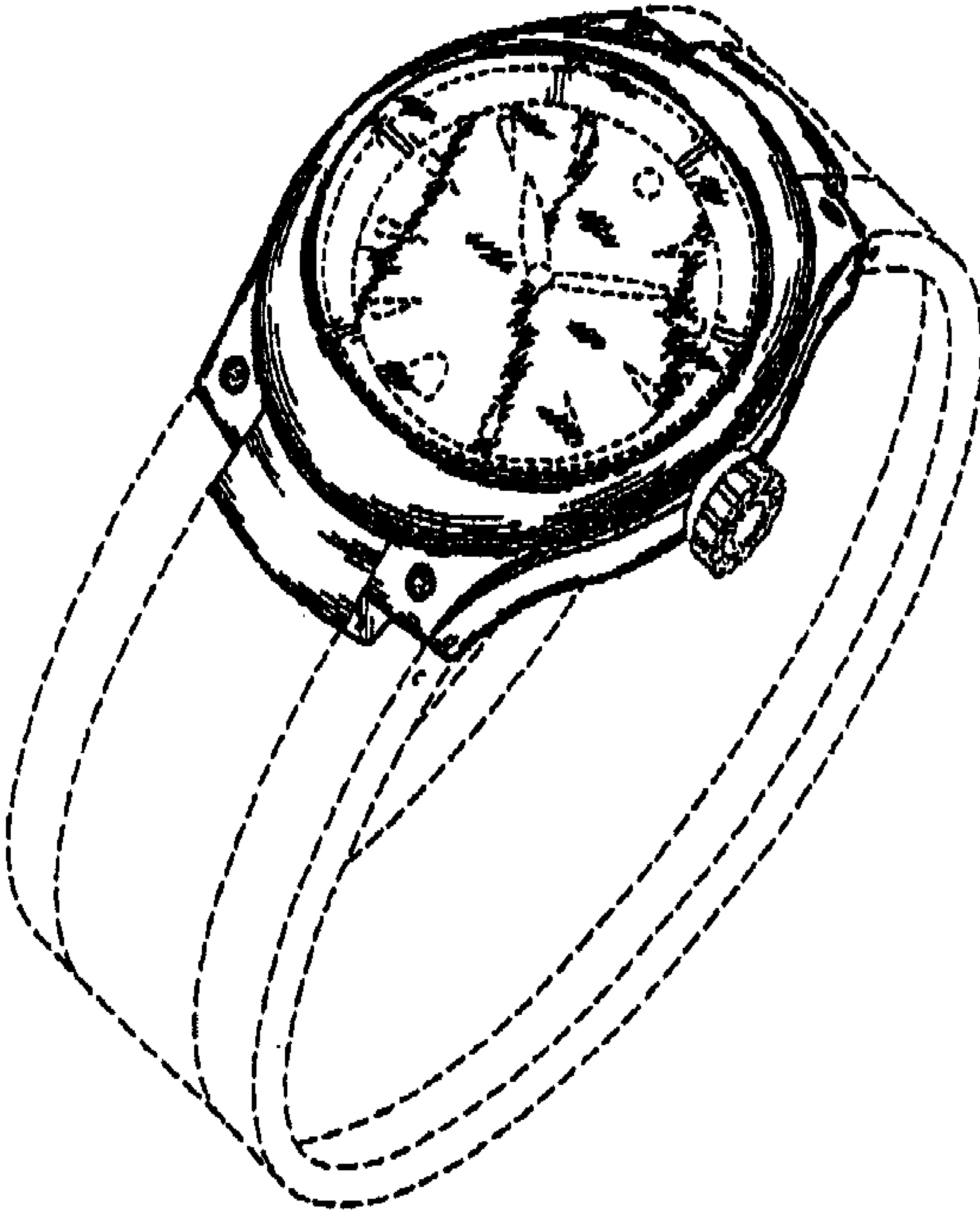


FIG. 1



FIG. 2

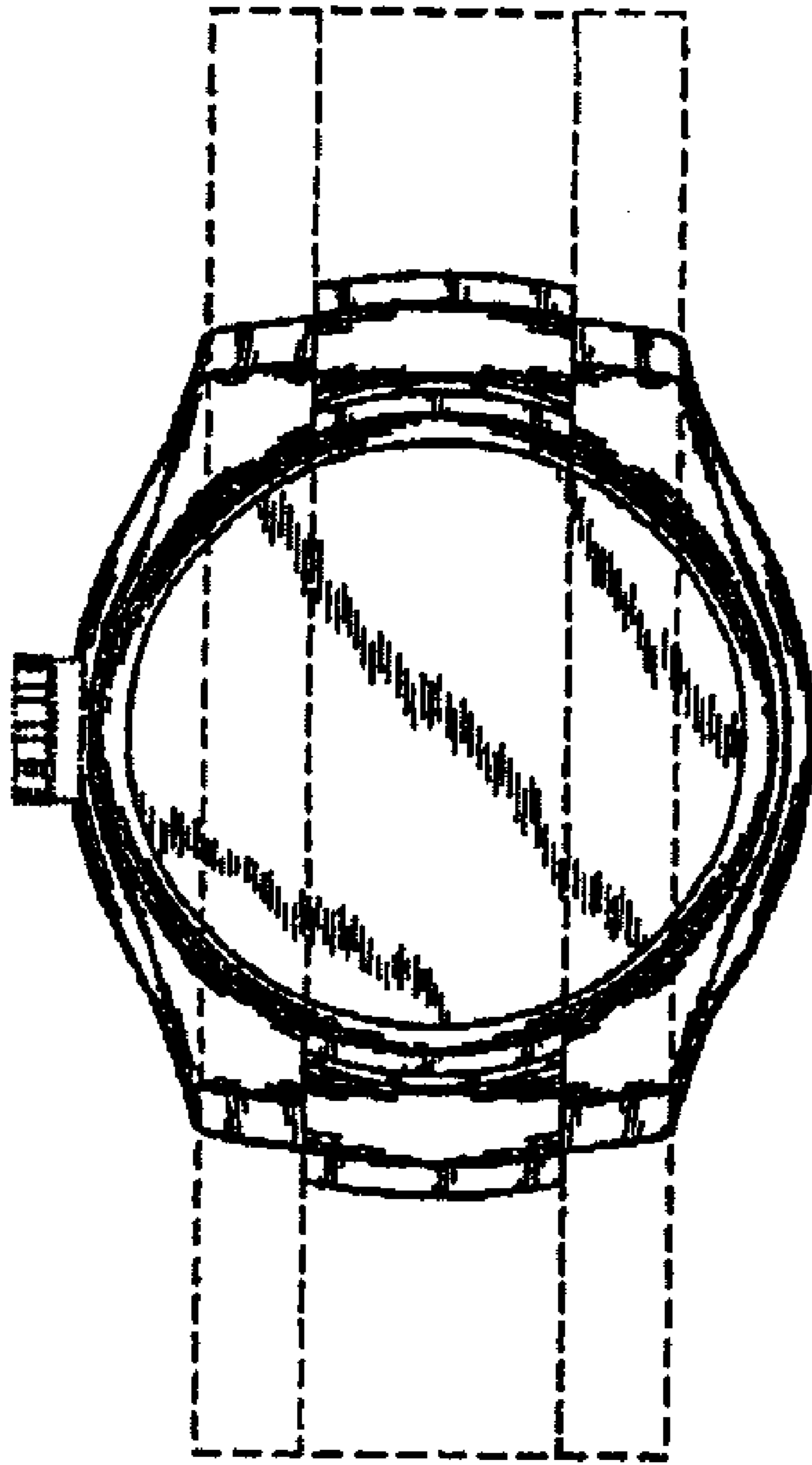


FIG. 3

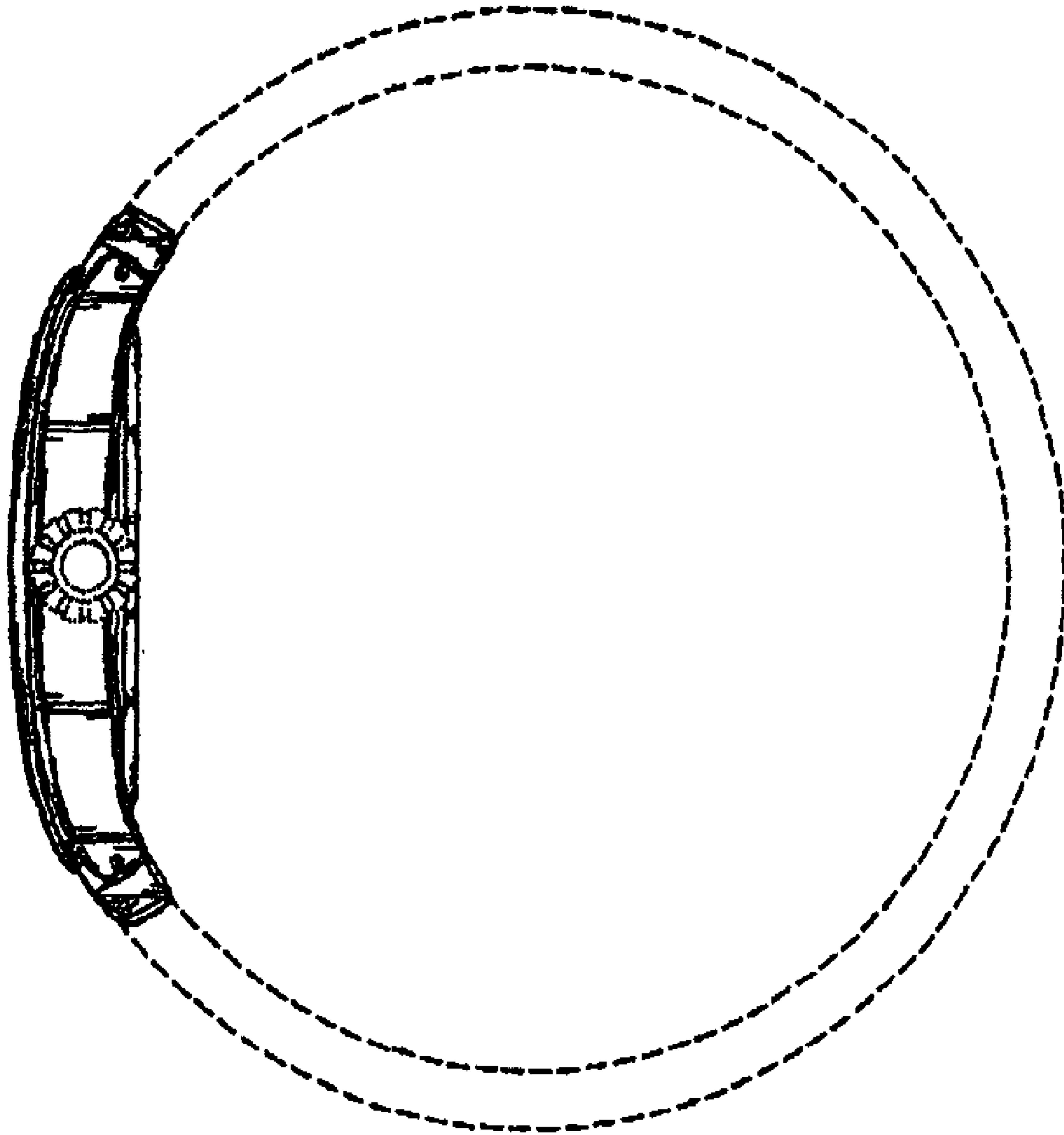


FIG. 4

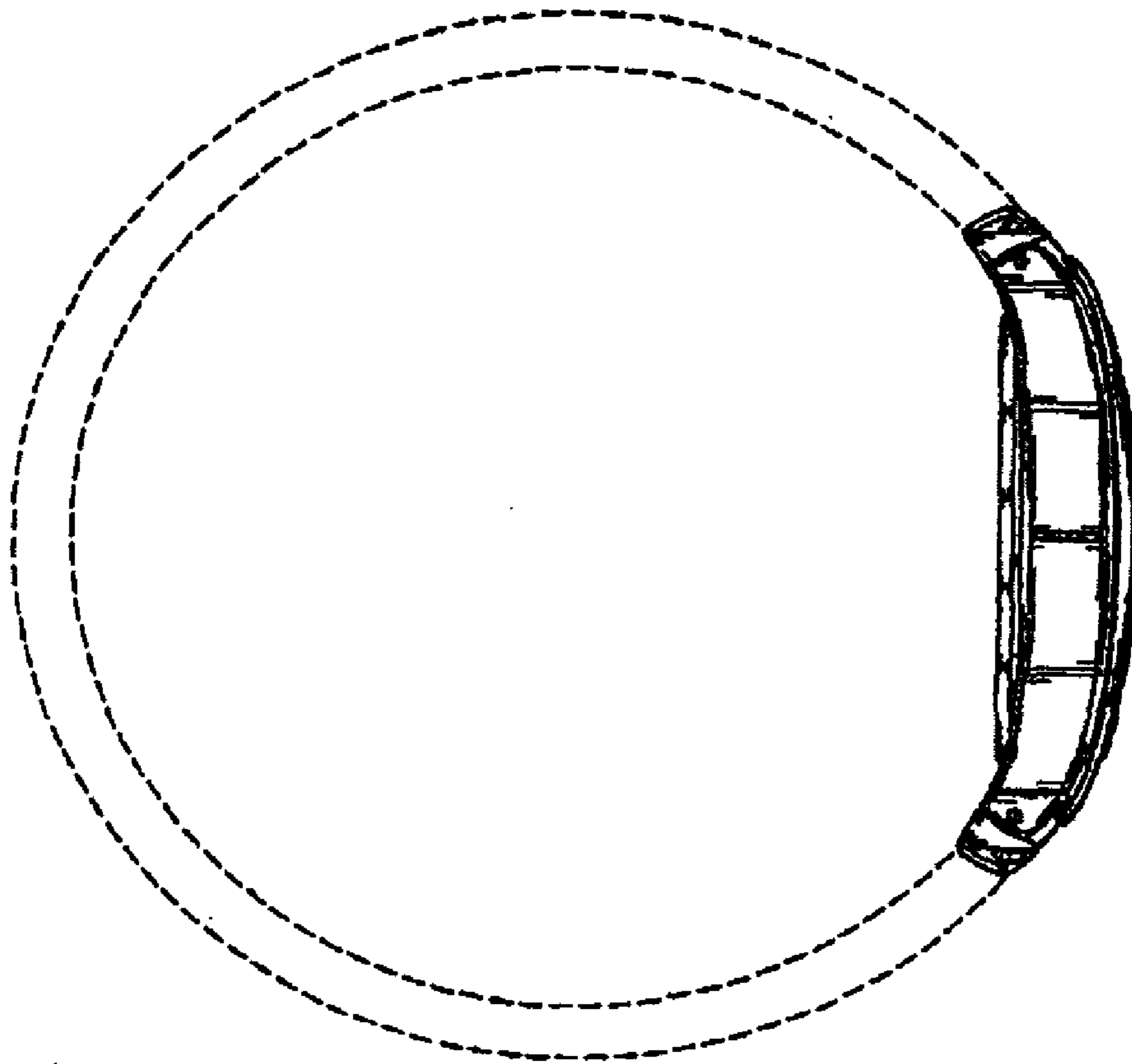


FIG. 5

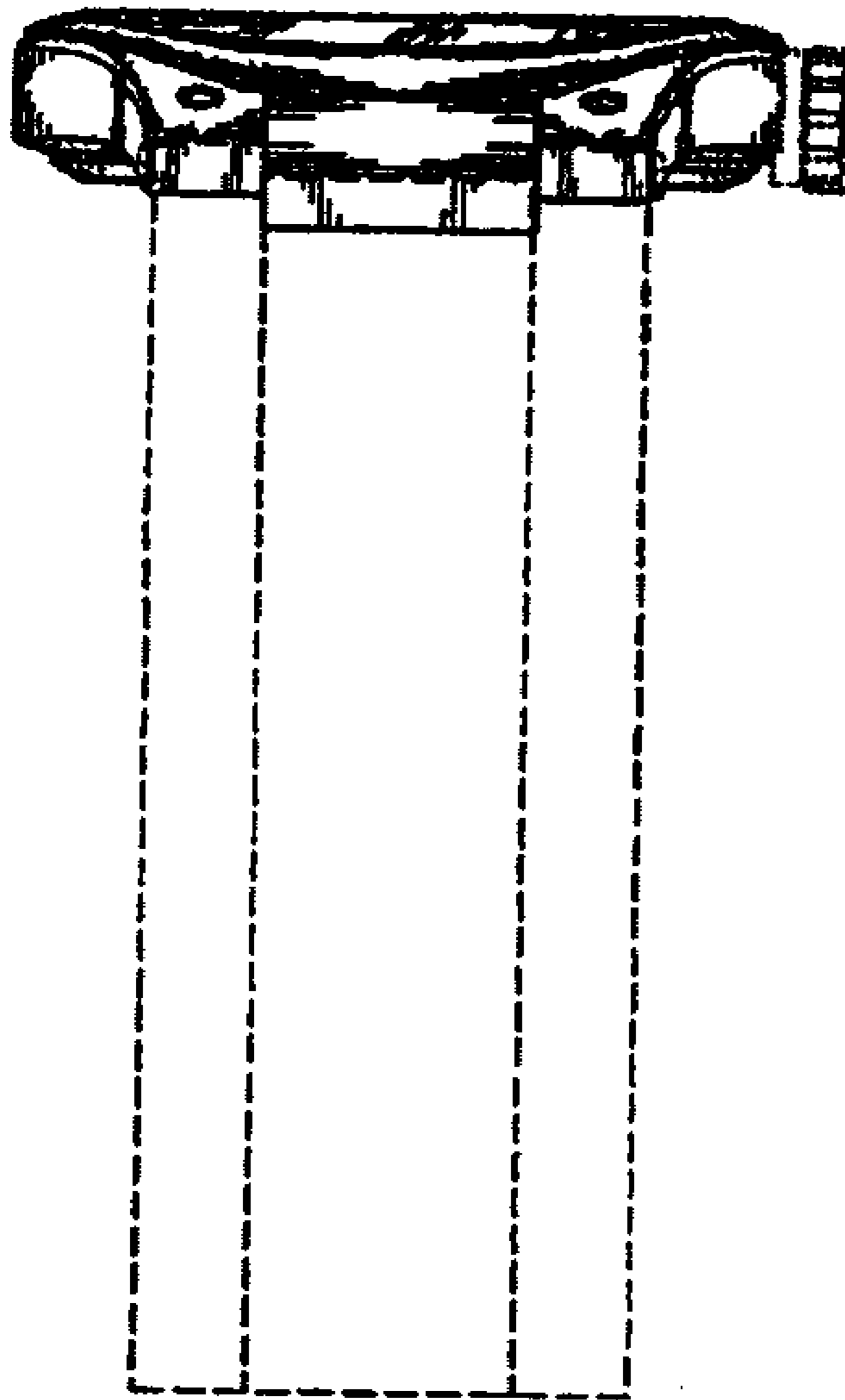


FIG. 6