



US00D491816S1

(12) **United States Design Patent**  
**Leung**

(10) **Patent No.:** **US D491,816 S**  
(45) **Date of Patent:** **\*\* Jun. 22, 2004**

(54) **TRAVEL CLOCK WITH LIGHT**  
(75) **Inventor:** **Kin Yau Leung**, New Territories (HK)  
(73) **Assignee:** **Artifield Manufacturing Company, Limited**, Shatin (HK)  
(\*\*) **Term:** **14 Years**

D386,094 S \* 11/1997 Ventrella ..... D10/30  
D391,860 S \* 3/1998 Kubo ..... D10/30  
D401,371 S \* 11/1998 Chen ..... D26/38  
D419,891 S \* 2/2000 Chan ..... D10/5  
D454,075 S \* 3/2002 Tschumy ..... D10/30

\* cited by examiner

*Primary Examiner*—Nelson C. Holtje  
(74) *Attorney, Agent, or Firm*—Salter & Michaelson

(21) **Appl. No.:** **29/189,709**  
(22) **Filed:** **Sep. 10, 2003**

(57) **CLAIM**

The ornamental design for a travel clock with light, as shown and described.

(30) **Foreign Application Priority Data**

Mar. 21, 2003 (HK) ..... 0310443

**DESCRIPTION**

(51) **LOC (7) Cl.** ..... **10-01**  
(52) **U.S. Cl.** ..... **D10/5; D10/18; D10/DIG. 10; D10/15**  
(58) **Field of Search** ..... D10/1-40, 122-132; D26/34, 38, 51, 54; 368/280-282, 10, 11, 276-277, 28-30, 285, 239-242, 243-249, 82-84, 41-44; 362/158, 183-191

FIG. 1 is a top perspective view of a travel clock with light in a closed position showing my new design;  
FIG. 2 is an alternate perspective view thereof in an open position;  
FIG. 3 is a left side elevational view thereof;  
FIG. 4 is a right side elevational view thereof;  
FIG. 5 is a front elevational view thereof;  
FIG. 6 is a rear elevational view thereof;  
FIG. 7 is a top plan view thereof;  
FIG. 8 is a bottom plan view thereof; and,  
FIG. 9 is a bottom perspective view in a closed position.

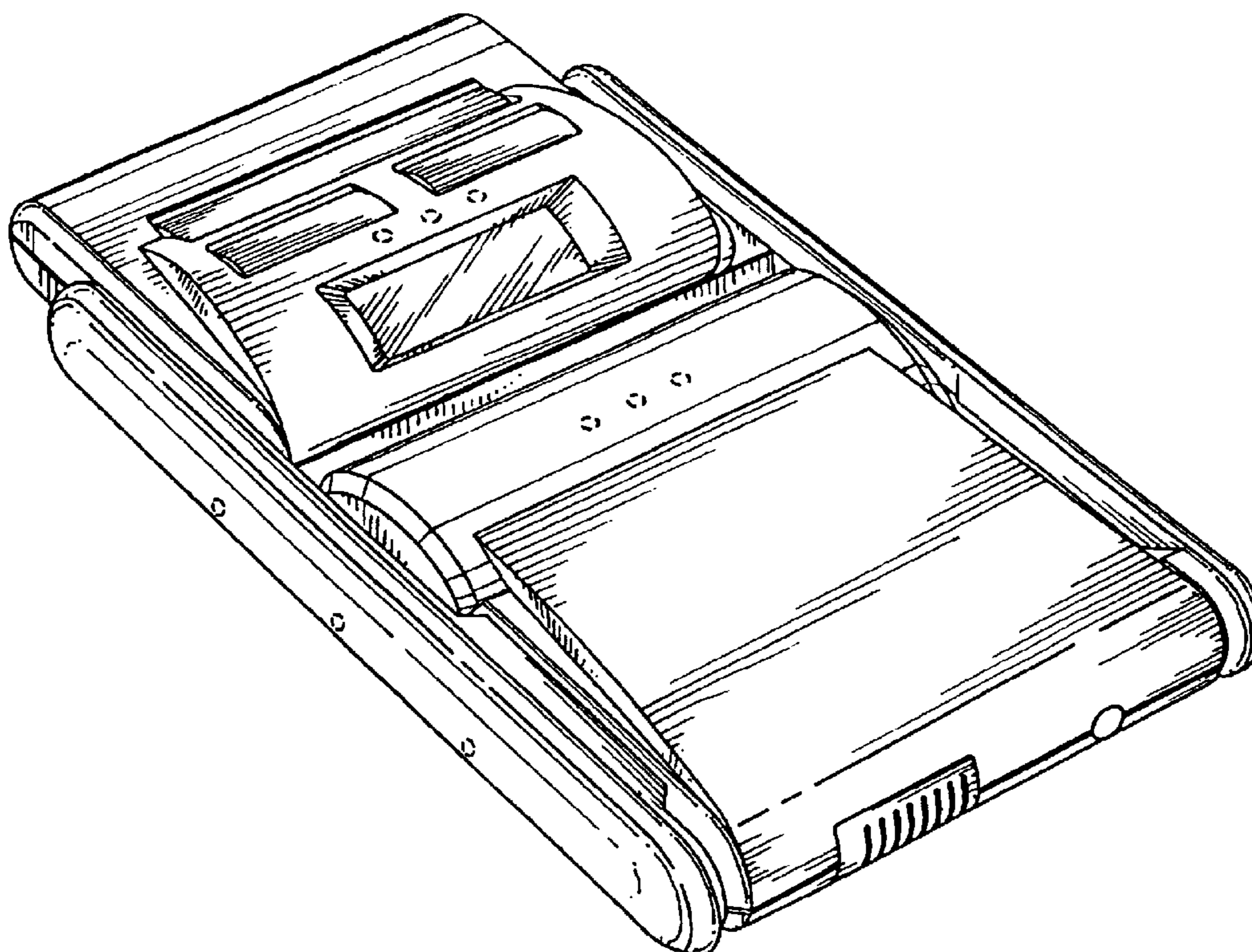
The portions shown in broken lines are included for illustrative purposes only and form no part of the claimed design.

(56) **References Cited**

**U.S. PATENT DOCUMENTS**

D61,133 S \* 6/1922 Dulczewski ..... D26/54  
D239,510 S \* 4/1976 Wahl ..... D10/38  
D249,024 S \* 8/1978 Ackerman ..... D10/30  
D347,634 S \* 6/1994 Lobo ..... D14/171

**1 Claim, 8 Drawing Sheets**



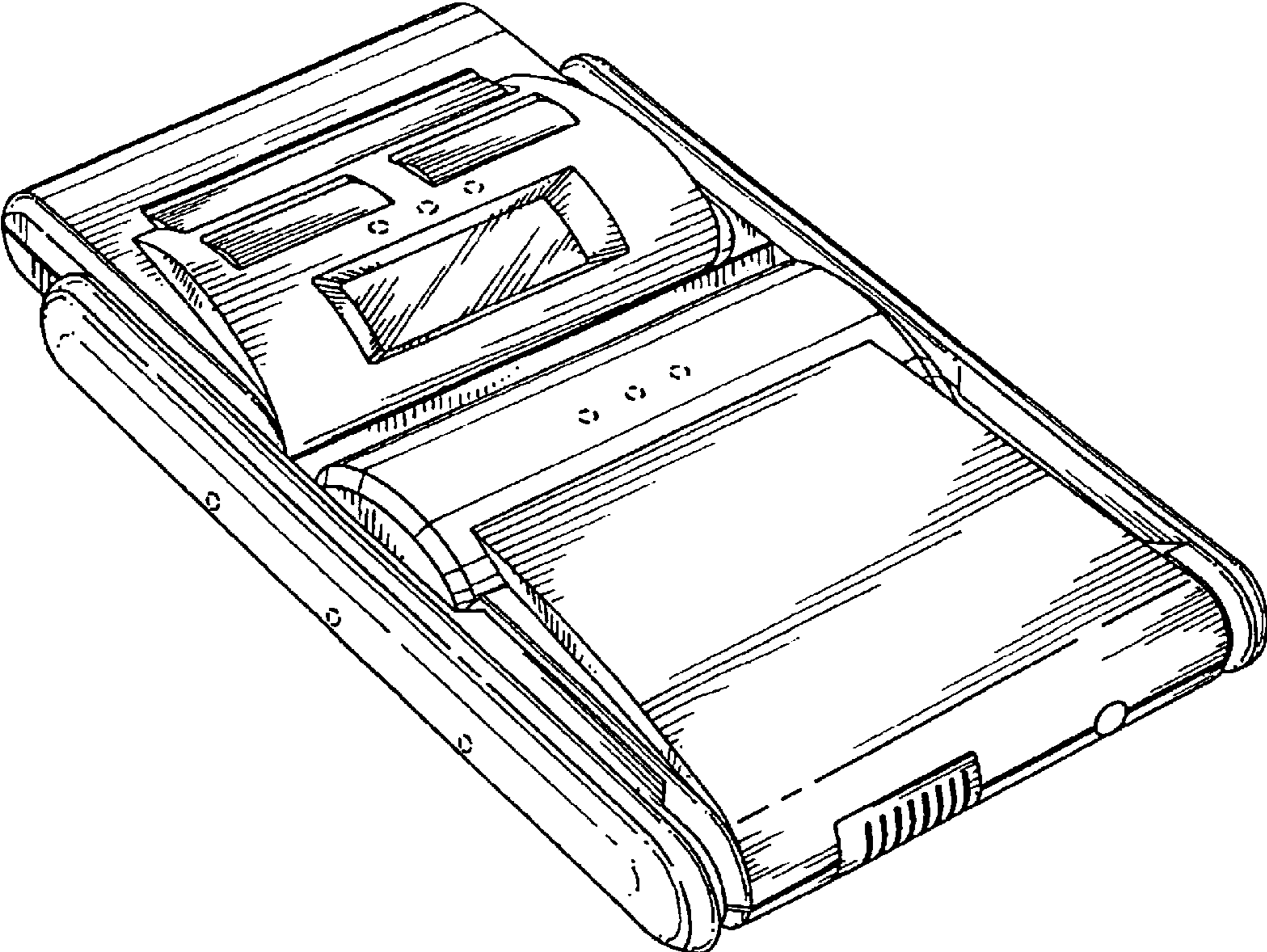


FIG. 1

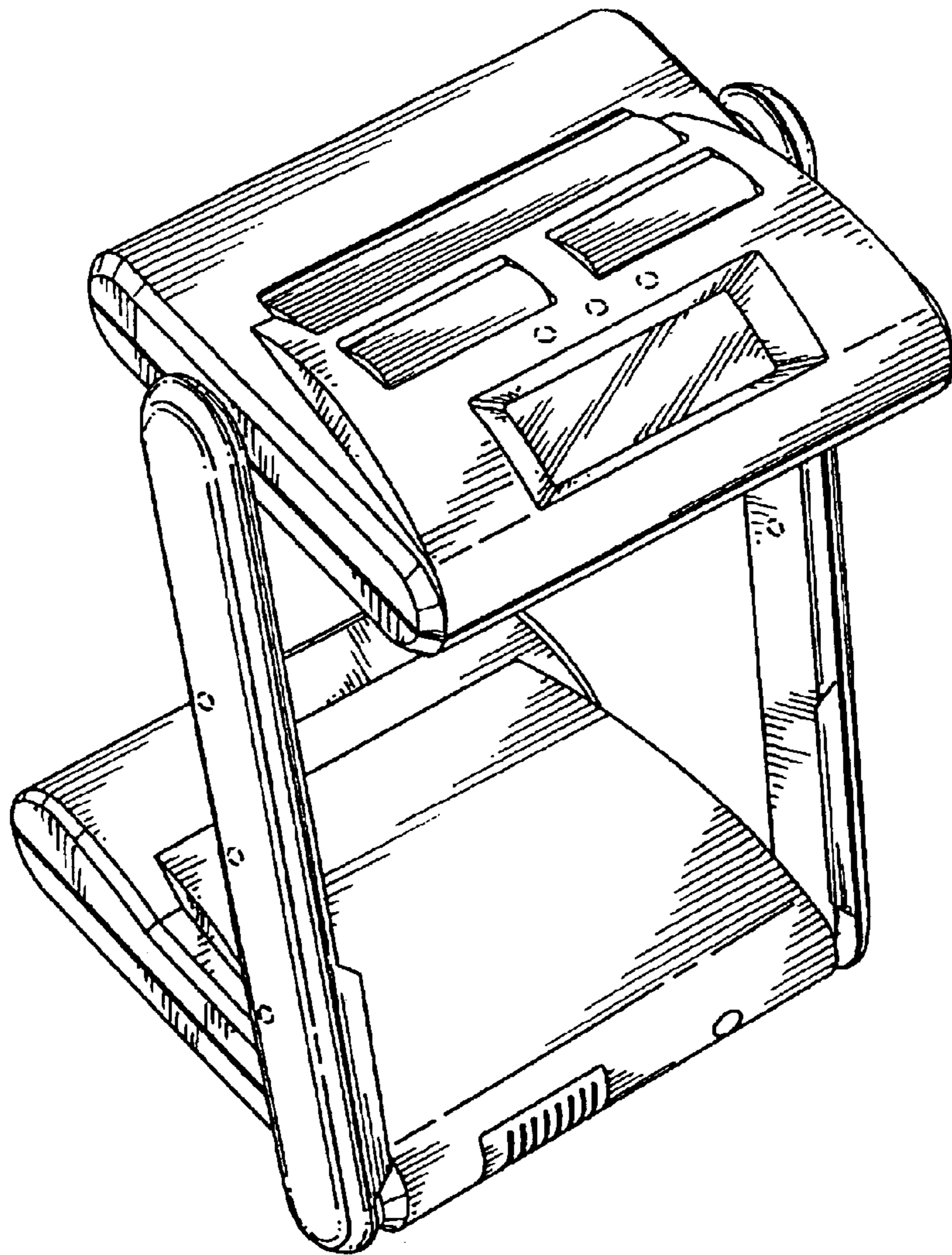


FIG. 2

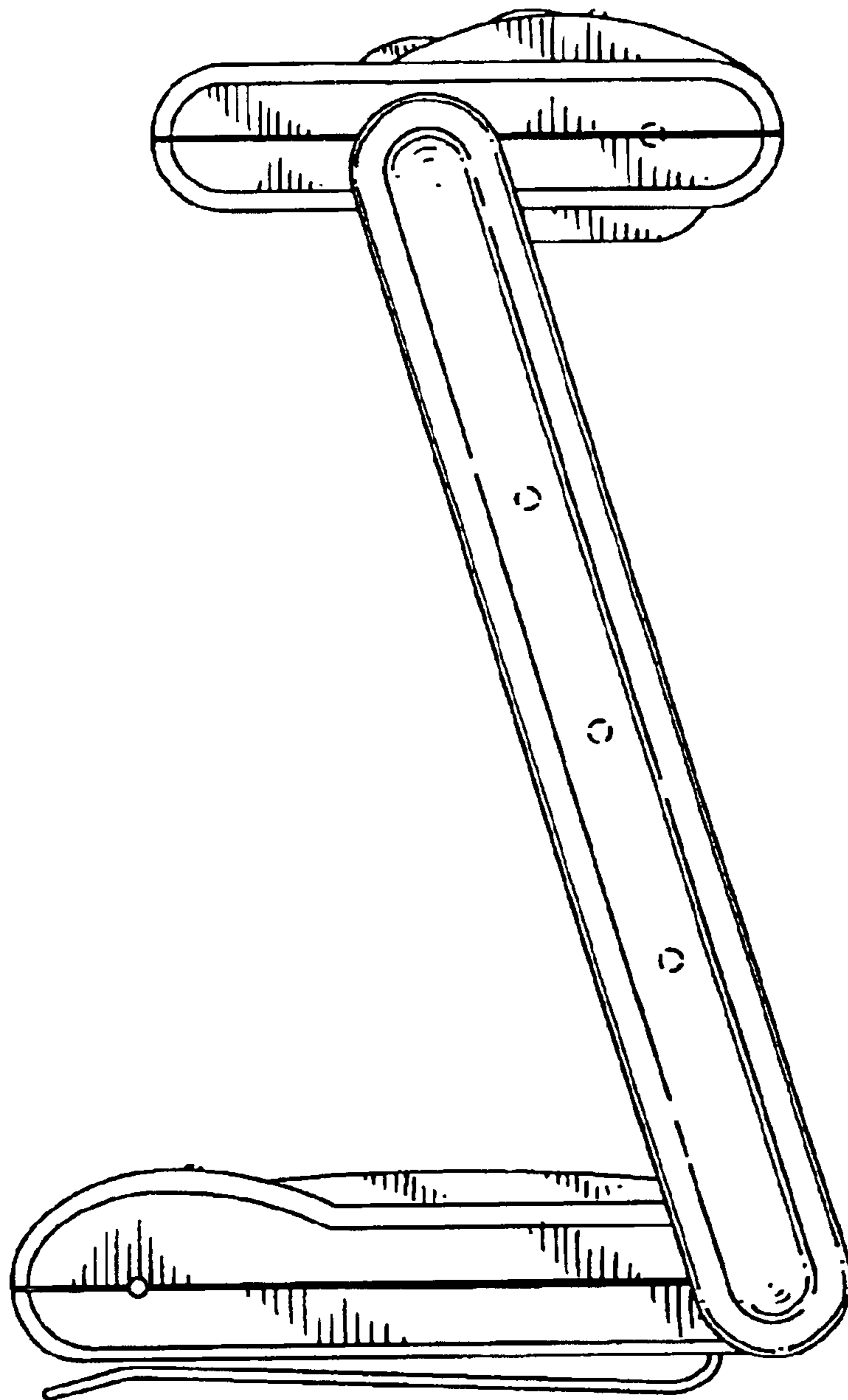


FIG. 3

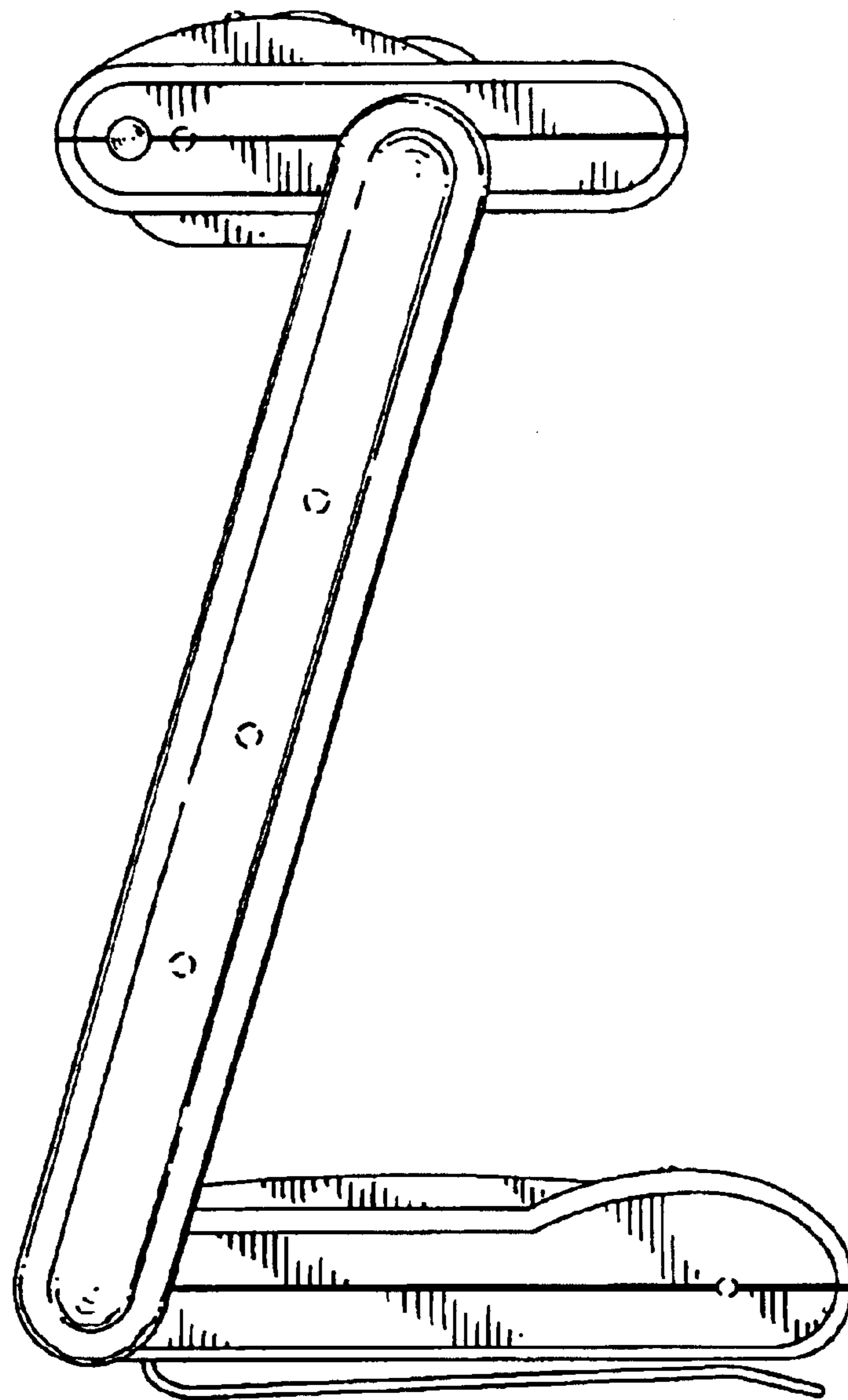


FIG. 4

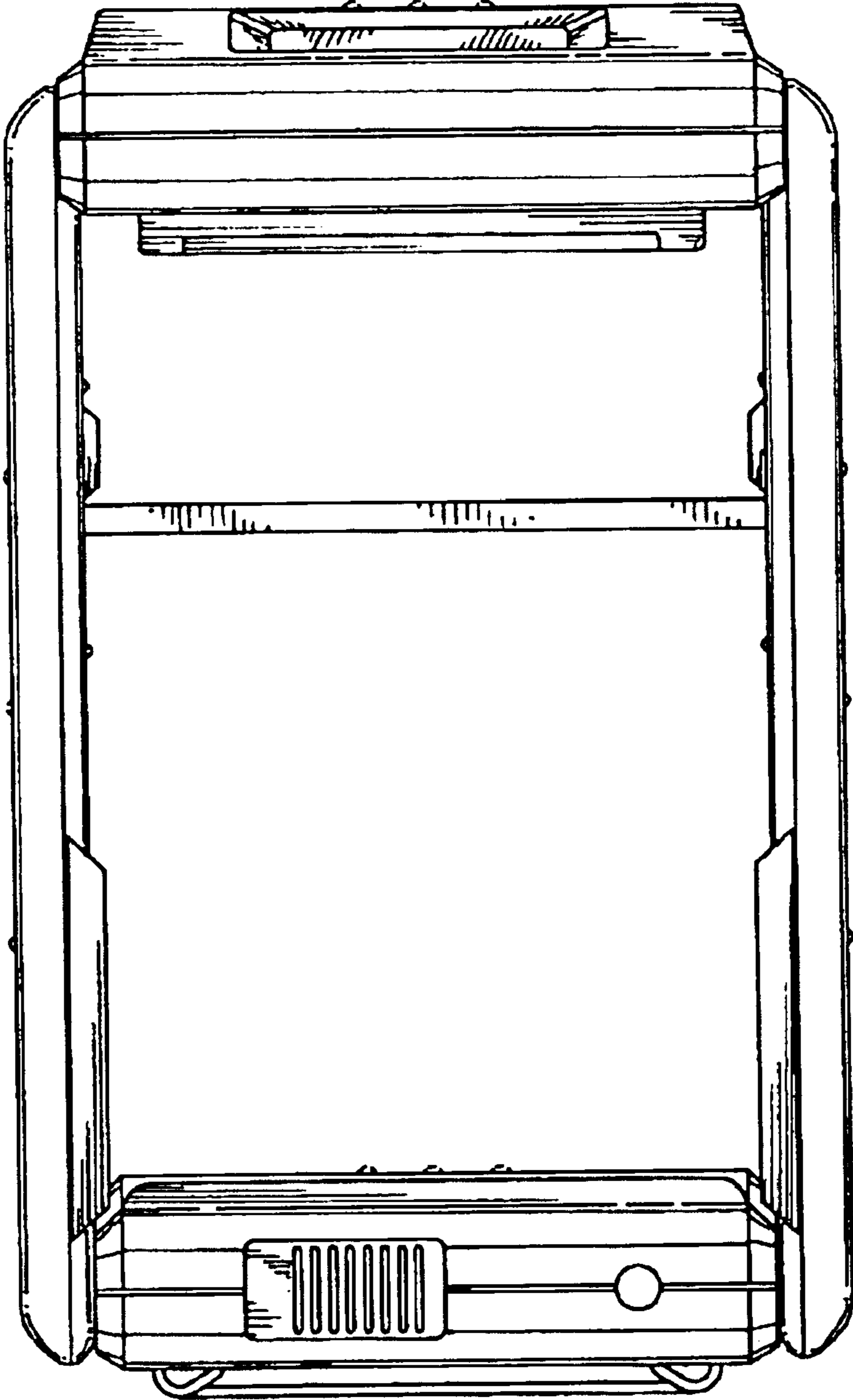


FIG. 5

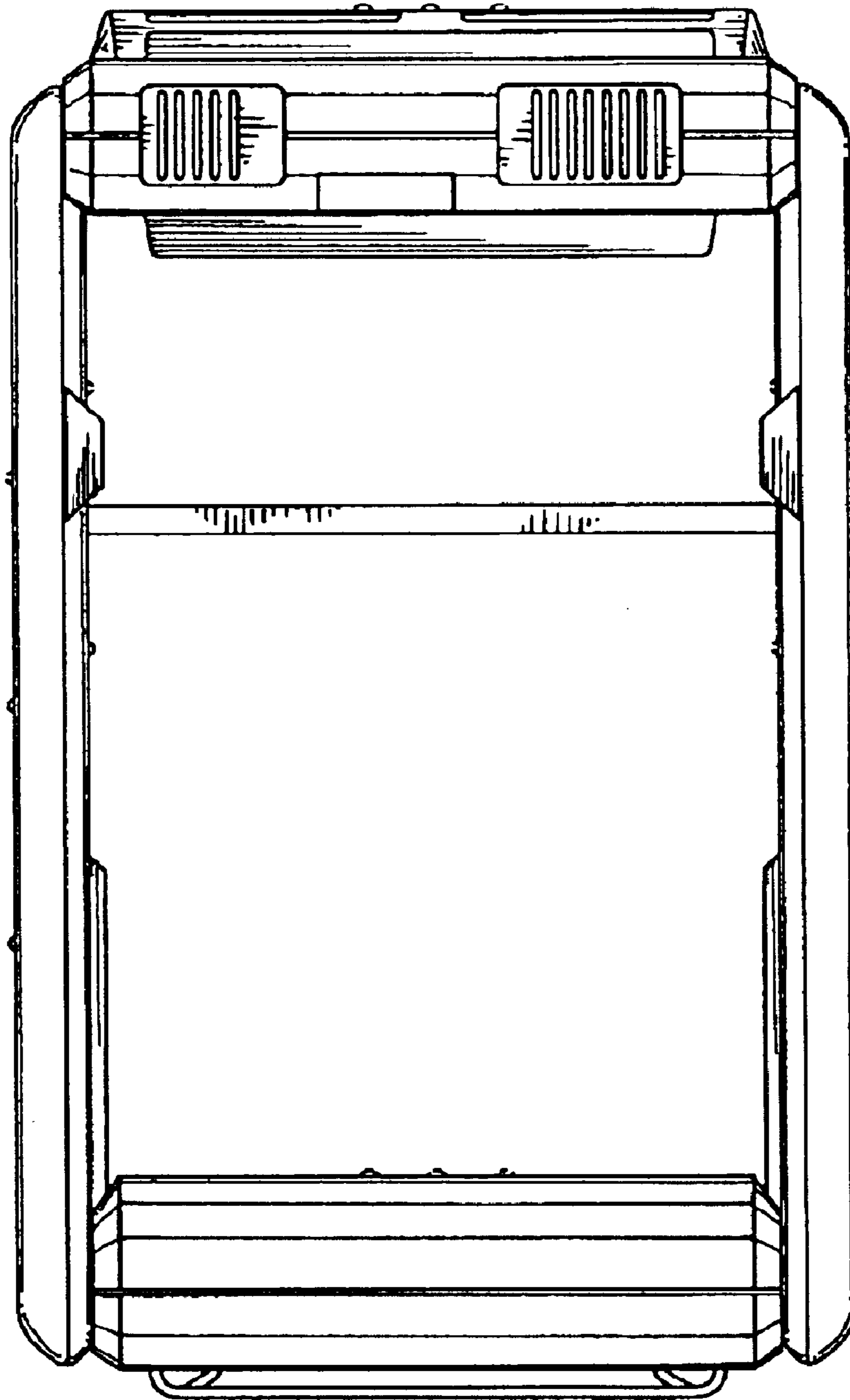


FIG. 6

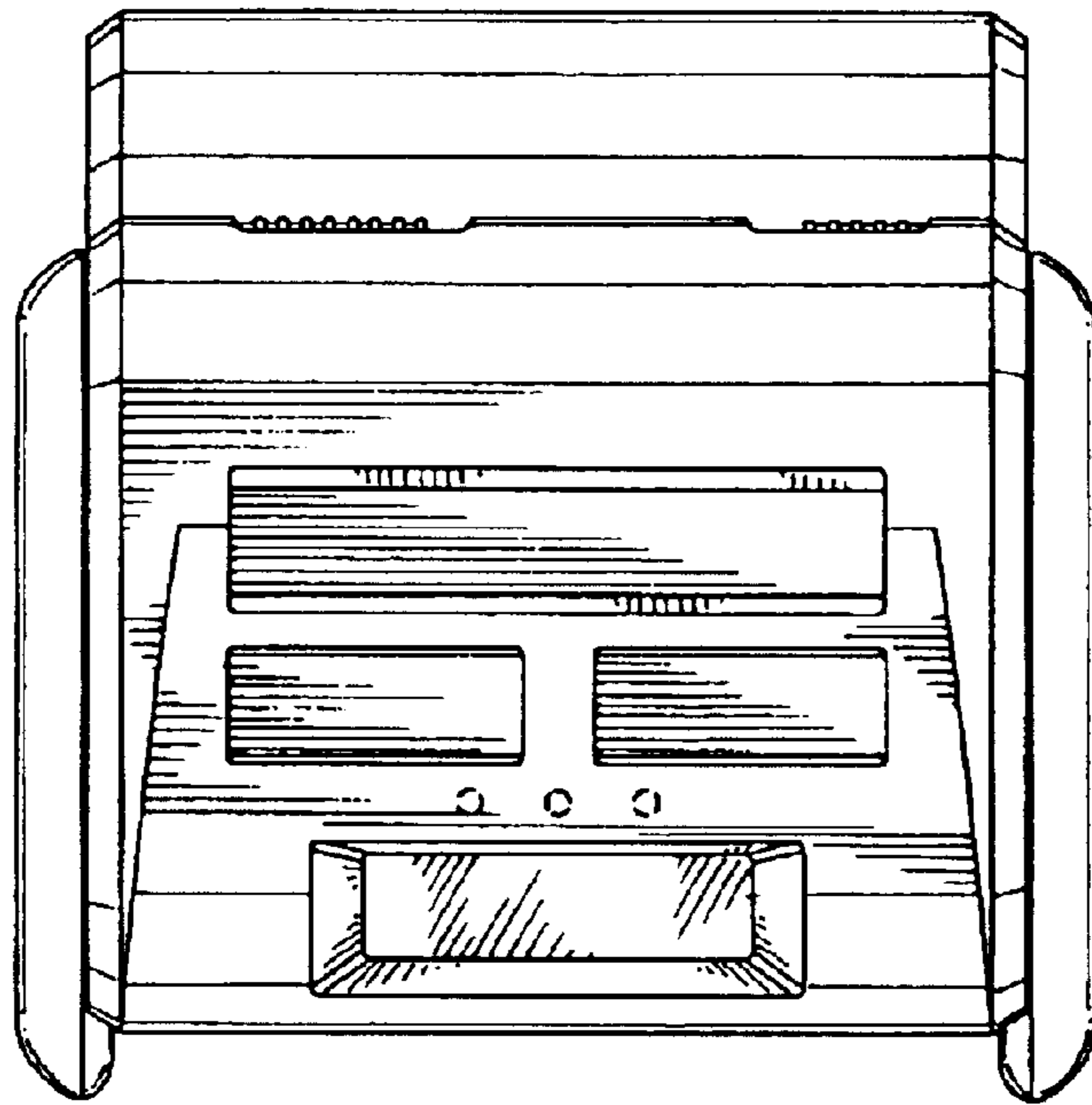


FIG. 7

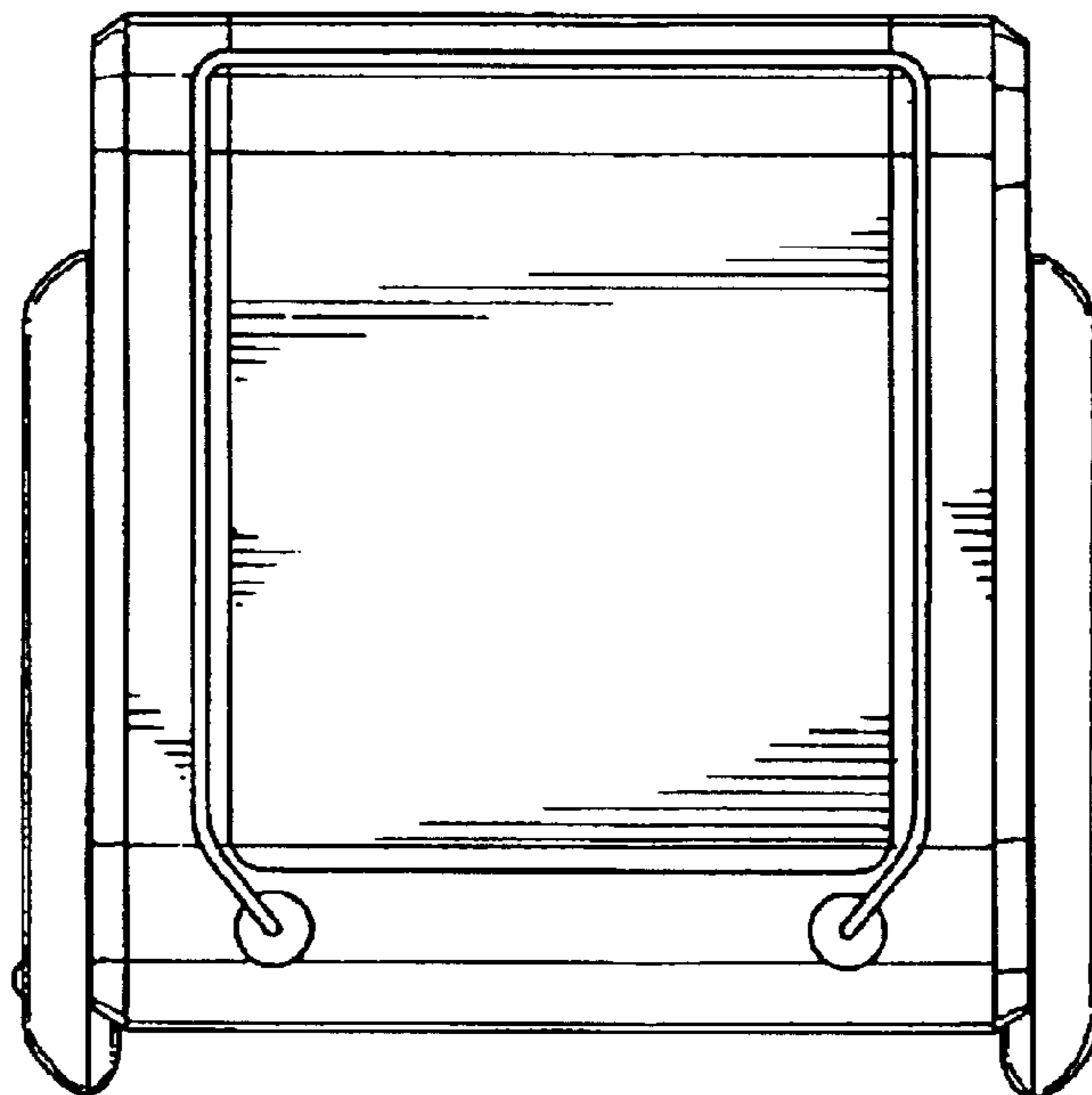


FIG. 8



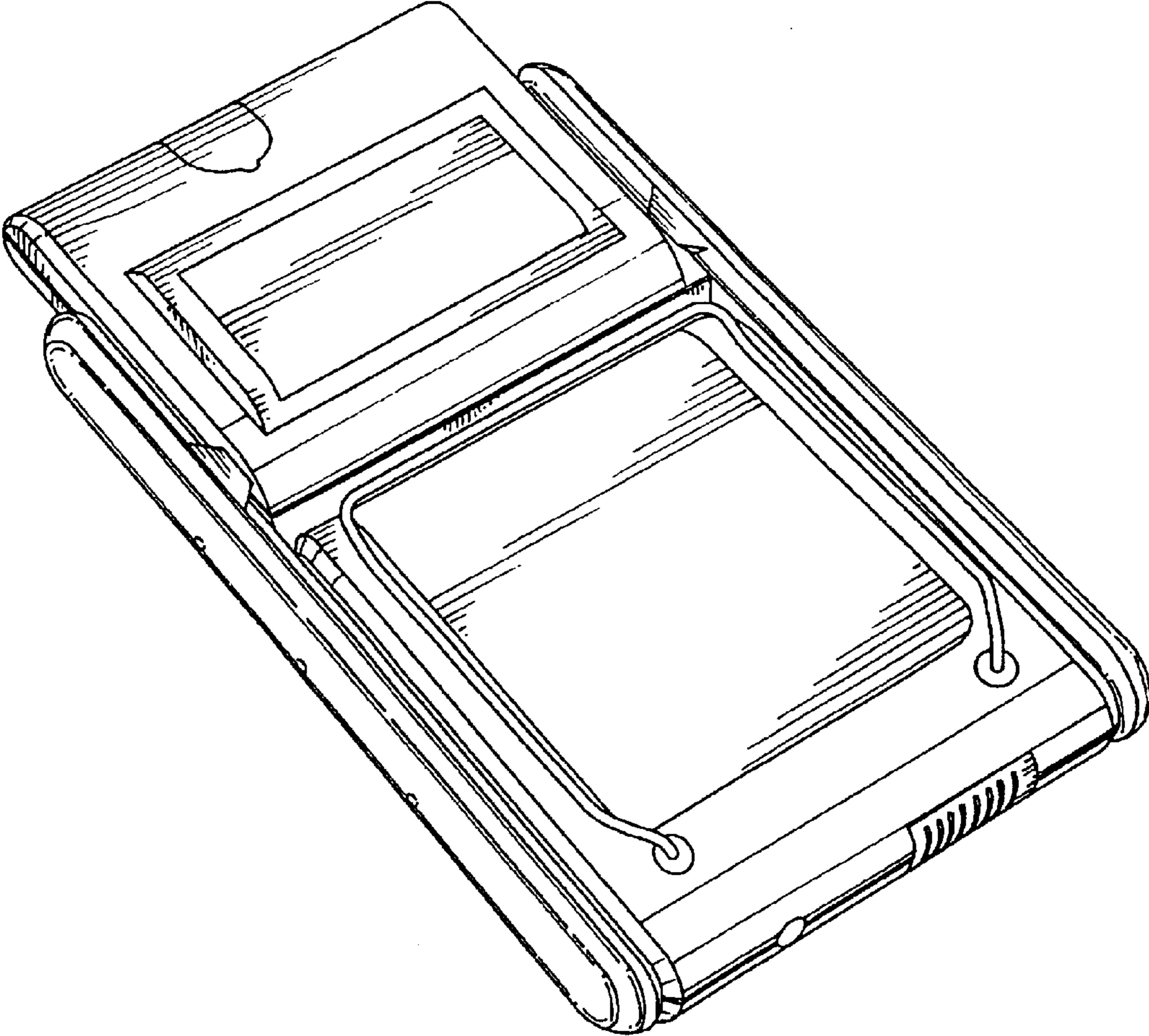


FIG. 9