

US00D491807S1

(12) **United States Design Patent**
Cauldwell et al.

(10) **Patent No.: US D491,807 S**
(45) **Date of Patent: ** Jun. 22, 2004**

(54) **STAPLE PACKAGING**

(75) Inventors: **Nathan S. Cauldwell**, Mansfield, MA (US); **Paul Florenzano**, Hingham, MA (US); **Steven M. Bowman**, Sherborn, MA (US); **Andy Rubino**, Westport, MA (US)

(73) Assignee: **Ethicon, Inc.**, Somerville, NJ (US)

(**) Term: **14 Years**

(21) Appl. No.: **29/180,668**

(22) Filed: **Apr. 28, 2003**

(51) **LOC (7) Cl.** **09-03**

(52) **U.S. Cl.** **D9/430; D9/347; D9/432**

(58) **Field of Search** D9/430, 337, 341, D9/345, 347, 348, 432, 499; 206/338, 340-341, 345-347, 349, 527, 557

(56) **References Cited**

U.S. PATENT DOCUMENTS

2,599,011 A	*	6/1952	Phipard, Jr.	206/338
3,713,533 A	*	1/1973	Reimels	206/339
3,771,223 A	*	11/1973	Dawidowicz et al.	30/40
D389,639 S	*	1/1998	Priebe	D3/203

5,733,293 A	*	3/1998	Scirica et al.	606/144
5,794,796 A	*	8/1998	Weisburn	211/40
D409,906 S	*	5/1999	Hu	D9/415
6,044,971 A	*	4/2000	Esposito et al.	206/339

* cited by examiner

Primary Examiner—Philip S Hyder

Assistant Examiner—Daniel Bui

(74) *Attorney, Agent, or Firm*—Emil Richard Skula

(57) **CLAIM**

The ornamental design of a staple packaging, as shown and described.

DESCRIPTION

FIG. 1 is a perspective view of a staple packaging as seen from the top, front and left sides.

FIG. 2 is a top plan view thereof.

FIG. 3 is a front elevation view thereof, the rear elevational view being a mirror image.

FIG. 4 is a bottom plan view thereof.

FIG. 5 is a left side elevational view thereof.

FIG. 6 is a right side elevational view thereof; and,

FIG. 7 is a perspective view similar to FIG. 1 wherein the broken line disclosure is for environmental purposes only and does not constitute a part of the claimed design.

1 Claim, 4 Drawing Sheets

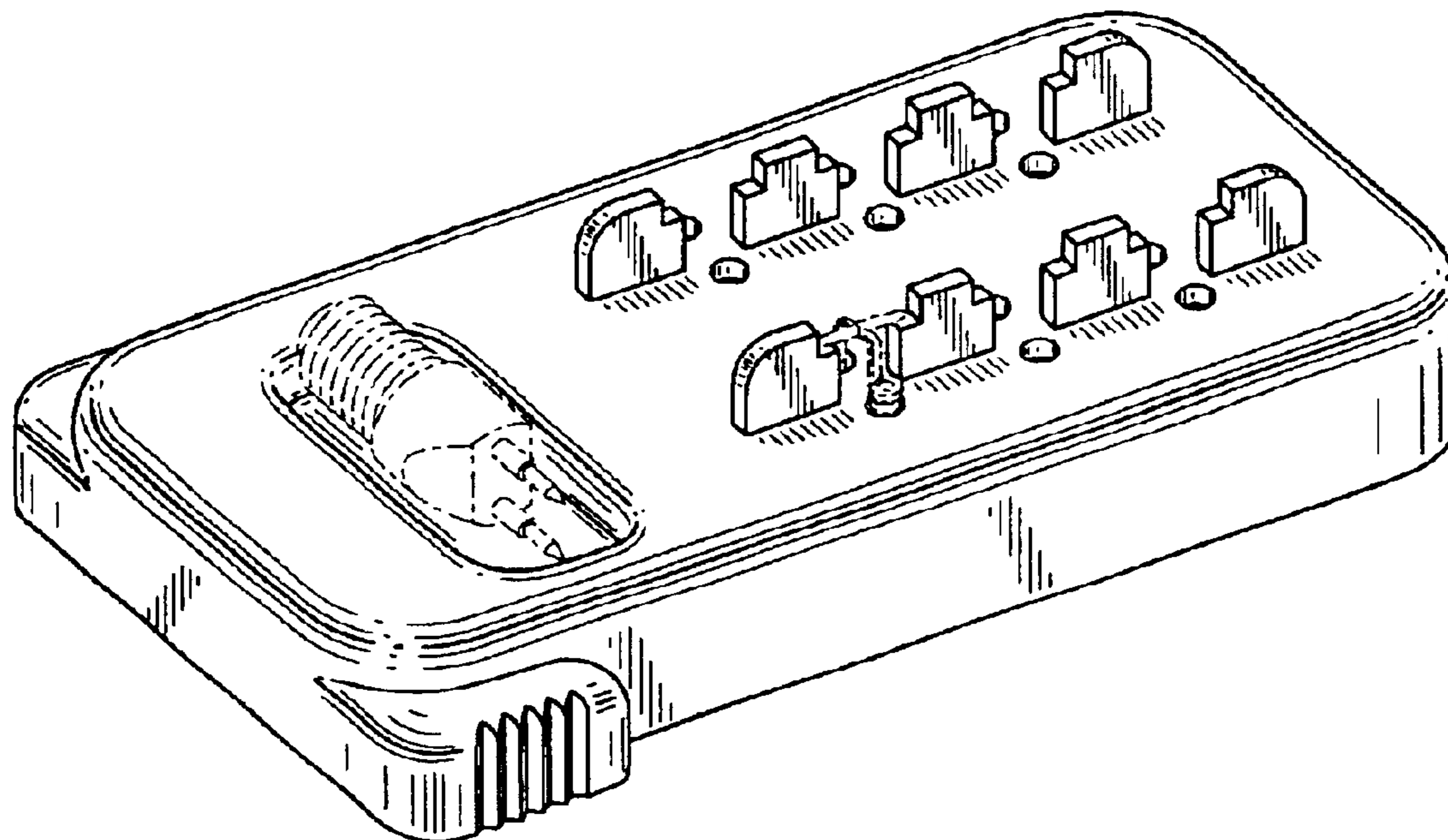


FIG. 1

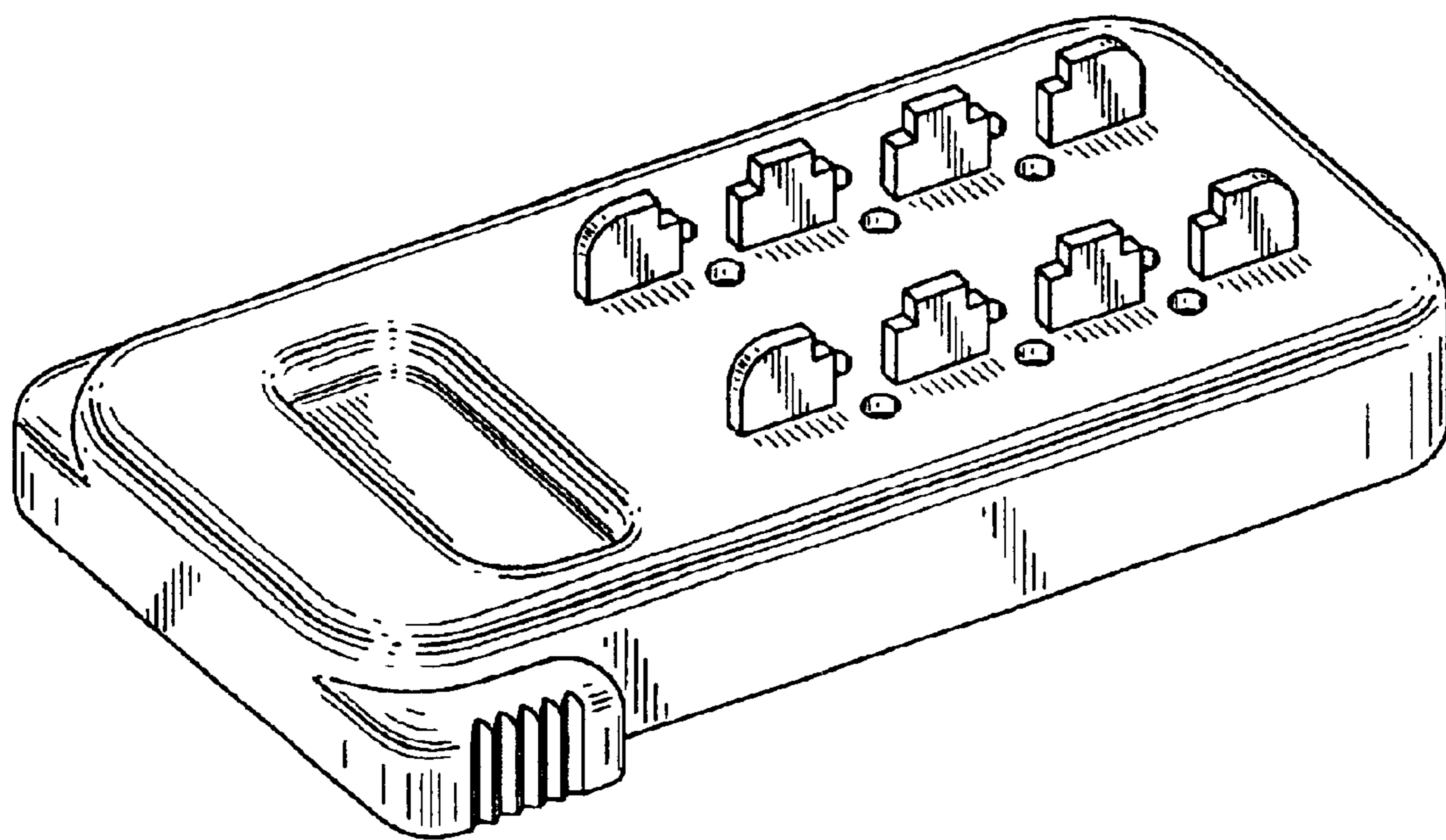


FIG. 2

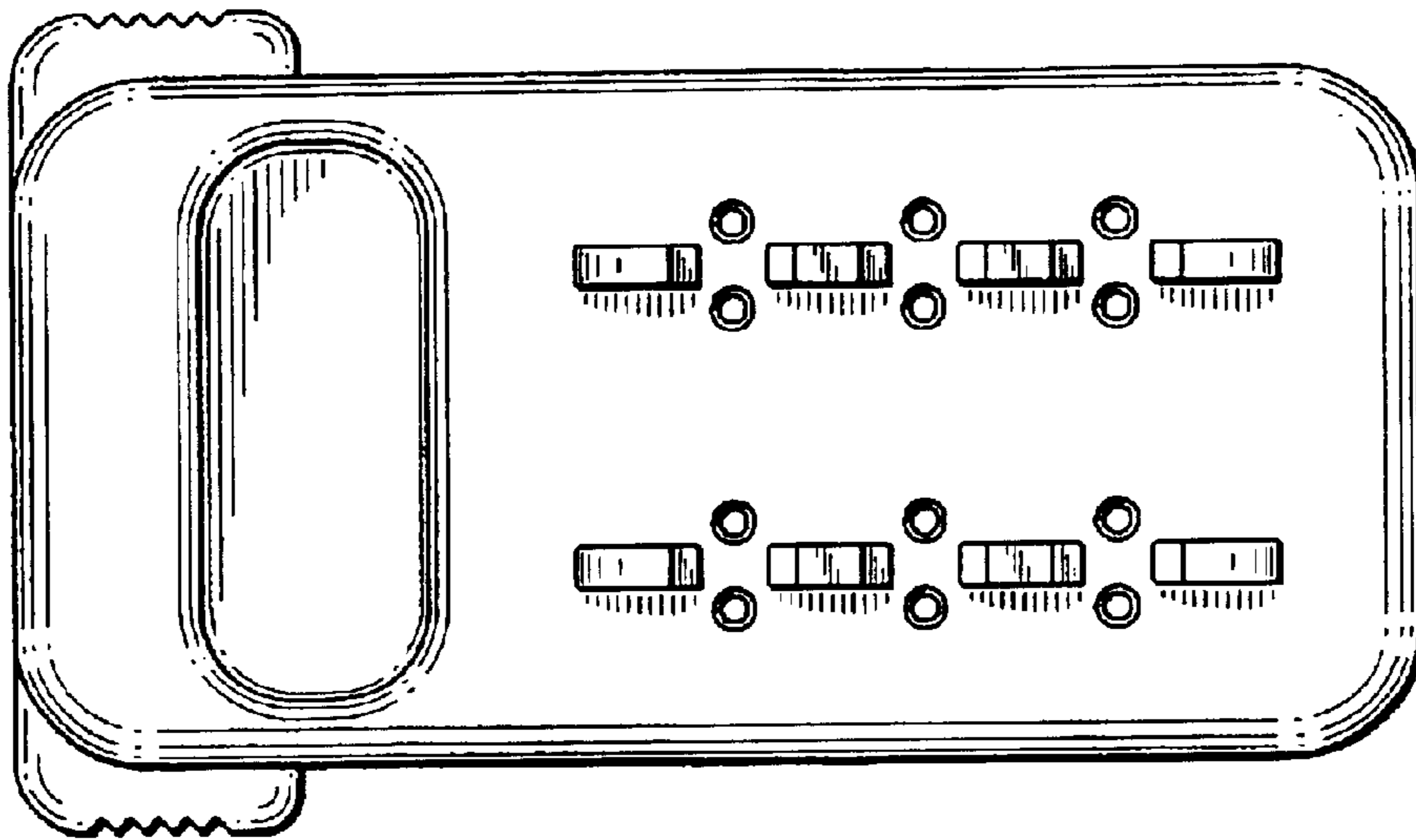


FIG. 3

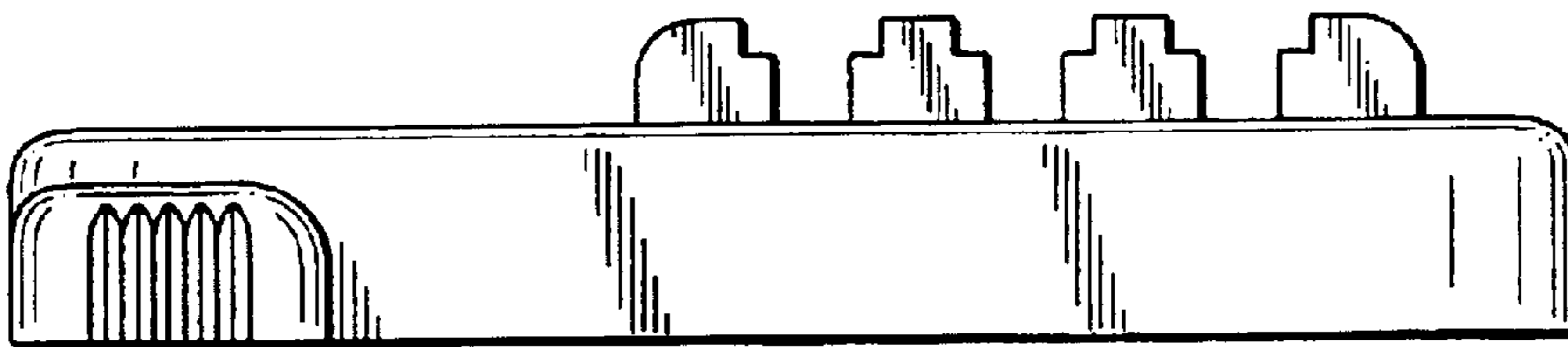


FIG. 4

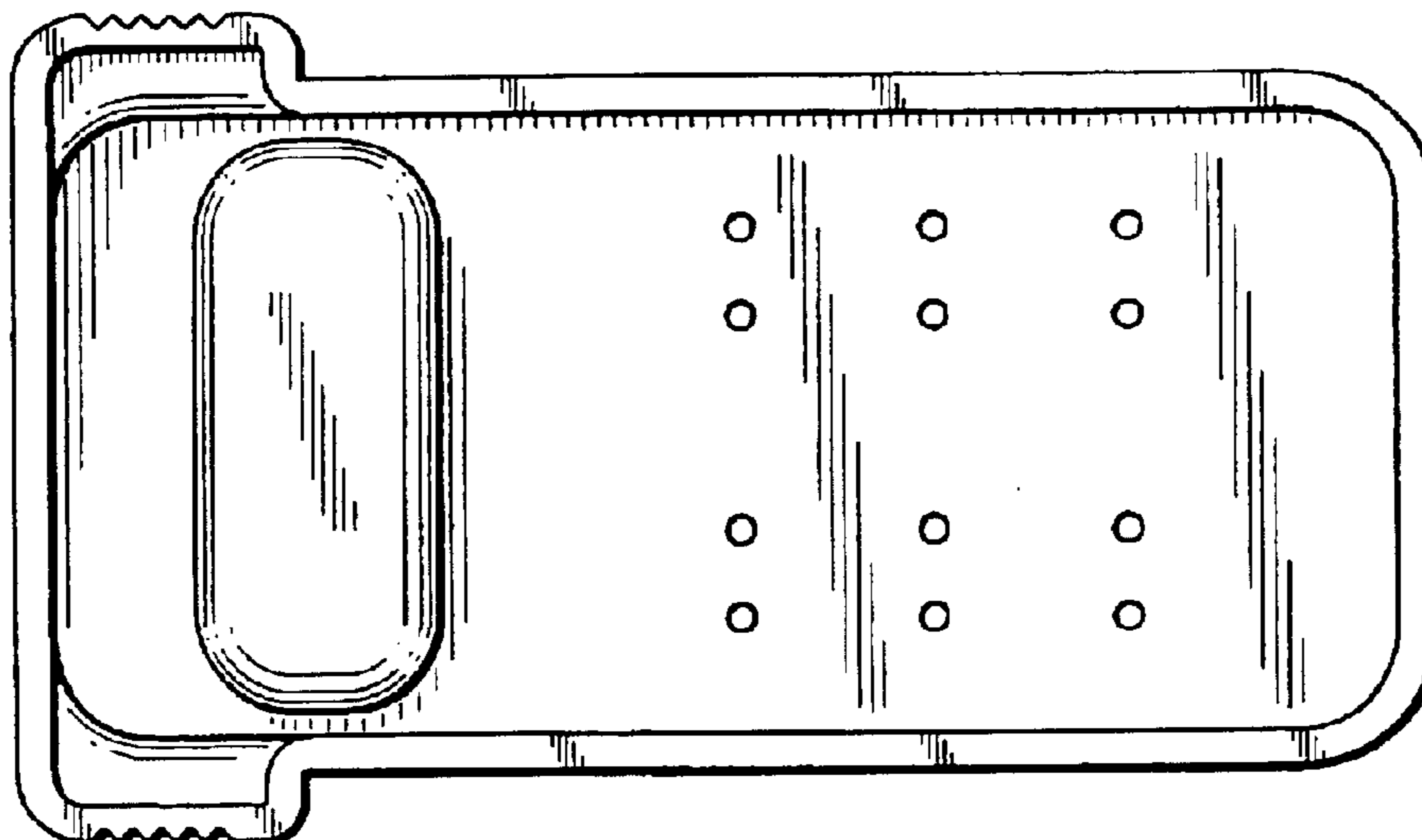


FIG. 5

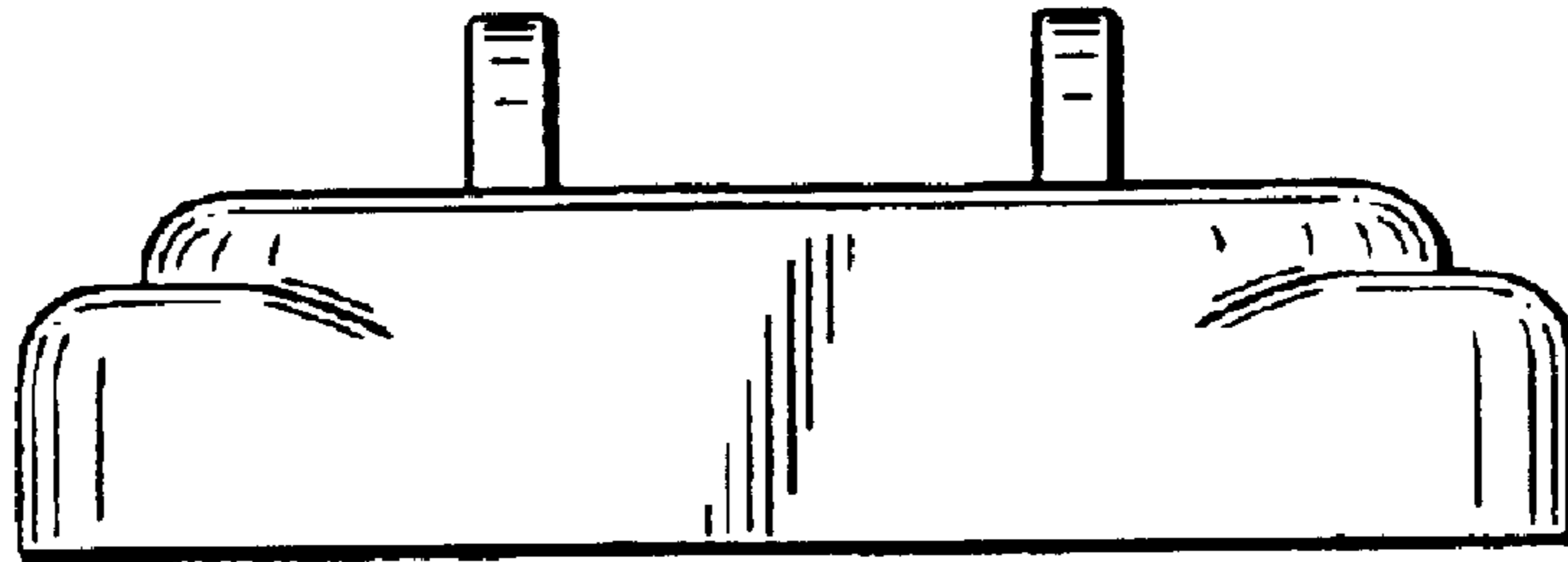


FIG. 6

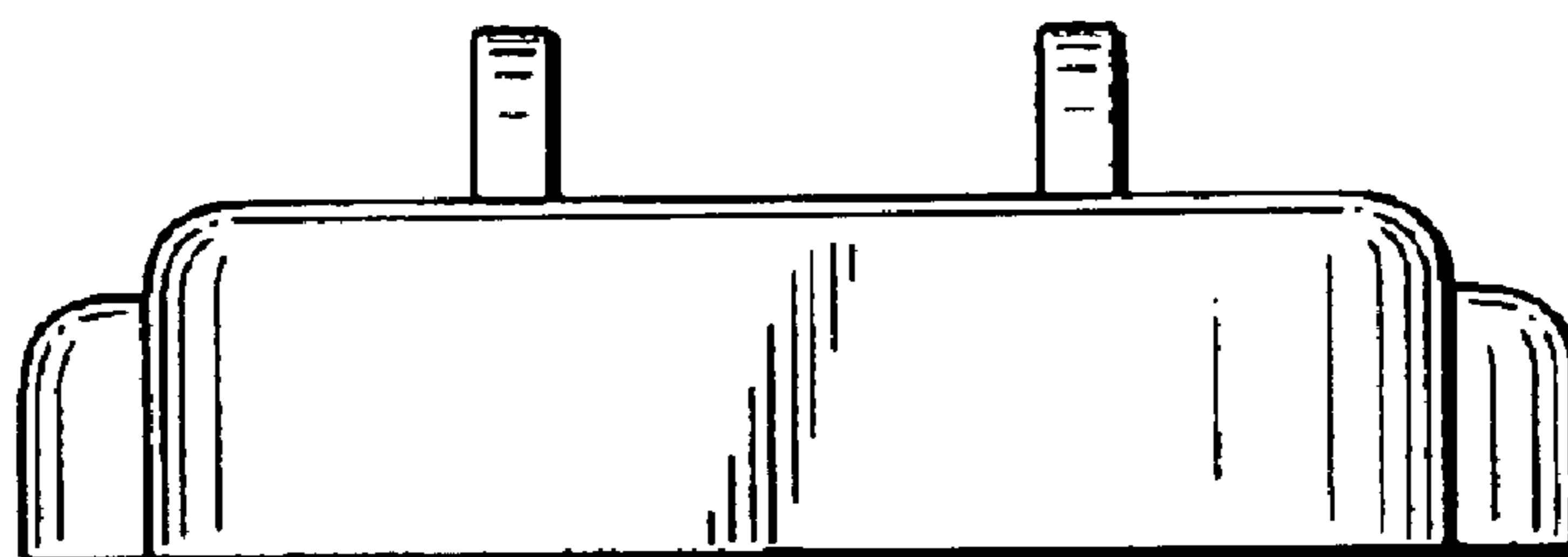


FIG. 7

